



US00D665883S

(12) **United States Design Patent**  
**Flowers et al.**

(10) **Patent No.:** **US D665,883 S**  
(45) **Date of Patent:** **\*\* Aug. 21, 2012**

(54) **SHOWER VALVE**

(75) Inventors: **Paul Flowers**, Duesseldorf (DE);  
**Annette Roy**, Duesseldorf (DE)

(73) Assignee: **Grohe AG**, Hemer (DE)

(\*\*) Term: **14 Years**

(21) Appl. No.: **29/398,372**

(22) Filed: **Jul. 29, 2011**

(30) **Foreign Application Priority Data**

Feb. 1, 2011 (EM) ..... 001814229-0014

(51) **LOC (9) Cl.** ..... **23-02**

(52) **U.S. Cl.** ..... **D23/254**

(58) **Field of Classification Search** ..... D23/238-242,  
D23/250-252, 254; 4/675-678; 137/801,  
137/359; D8/350-353

See application file for complete search history.

(56) **References Cited**

**U.S. PATENT DOCUMENTS**

D203,243 S \* 12/1965 Bilkiss ..... D23/255  
D494,254 S \* 8/2004 Citterio ..... D23/245

D495,780 S \* 9/2004 Aubry et al. .... D23/252  
D609,310 S \* 2/2010 Urquiola ..... D23/250  
D626,632 S \* 11/2010 Hanna et al. .... D23/254

\* cited by examiner

*Primary Examiner* — Robert Delehanty

(74) *Attorney, Agent, or Firm* — Muncy, Geissler, Olds &  
Lowe, PLLC

(57) **CLAIM**

The ornamental design for a shower valve, as shown and described.

**DESCRIPTION**

FIG. 1 is a left side elevational view of a shower valve according to the invention.

FIG. 2 is a right side elevational view of the shower valve of FIG. 1.

FIG. 3 is a front elevational view of the shower valve of FIG. 1.

FIG. 4 is a rear elevational view of the shower valve of FIG. 1.

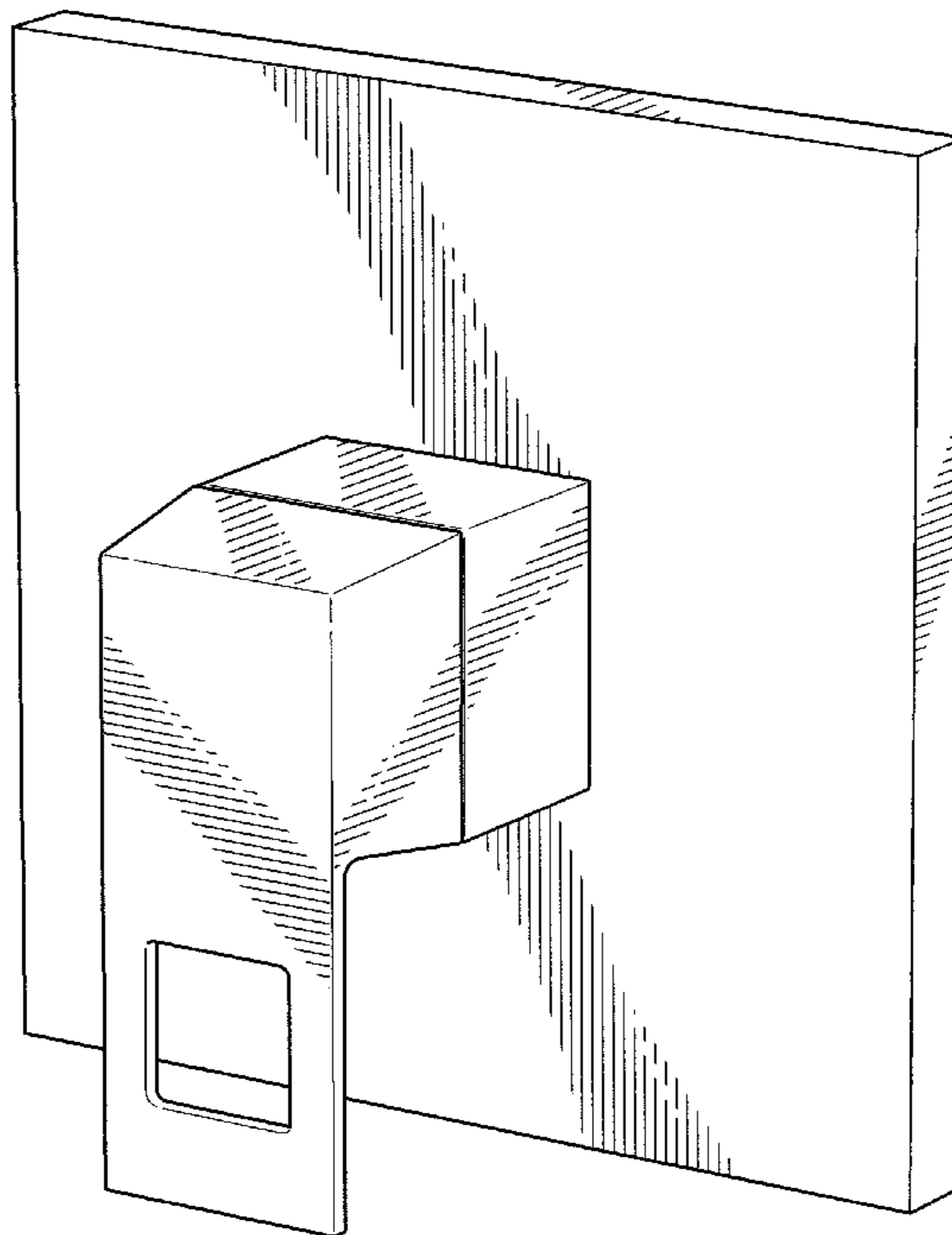
FIG. 5 is a top plan view of the shower valve of FIG. 1.

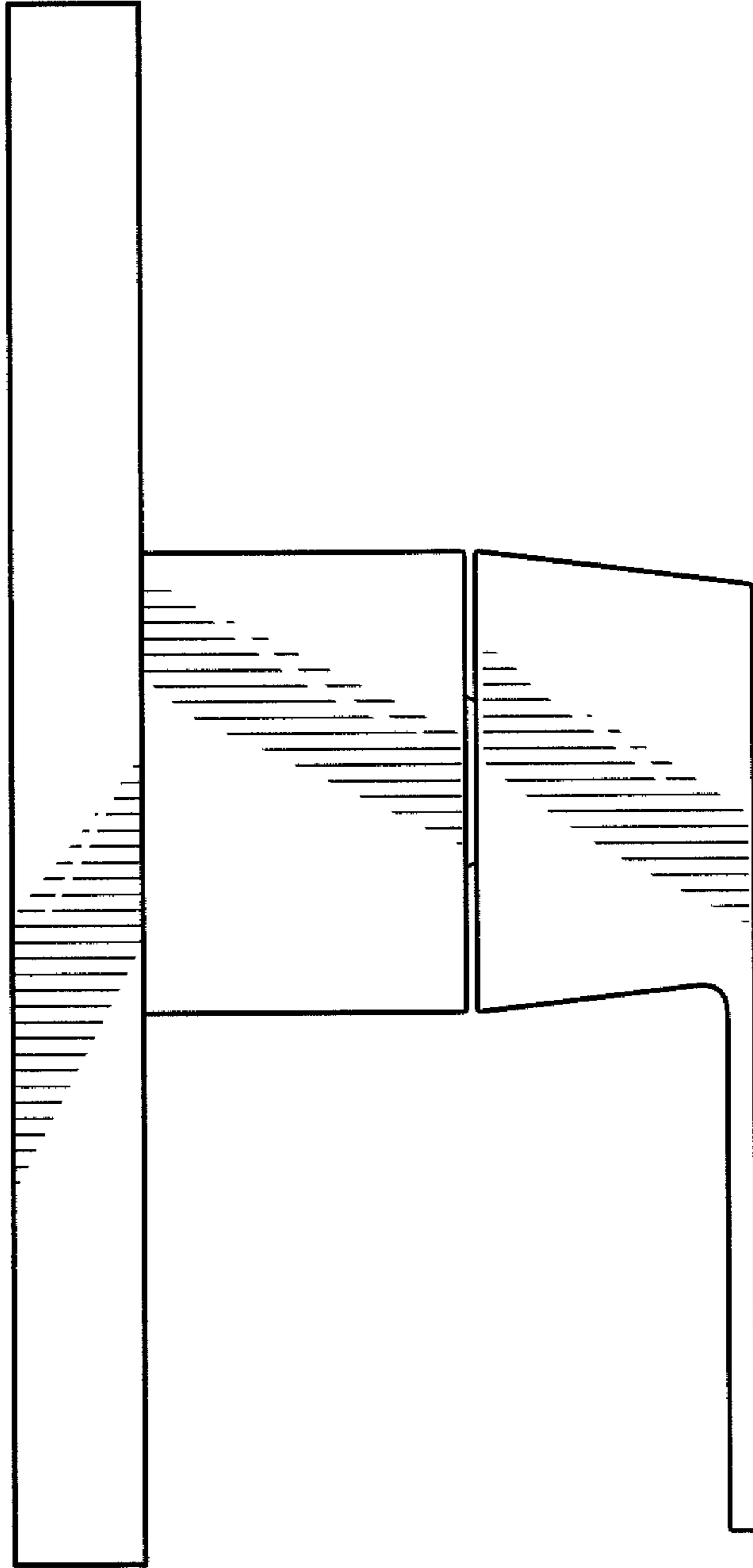
FIG. 6 is a bottom plan view of the shower valve of FIG. 1; and,

FIG. 7 is a perspective view of the shower valve of FIG. 1.

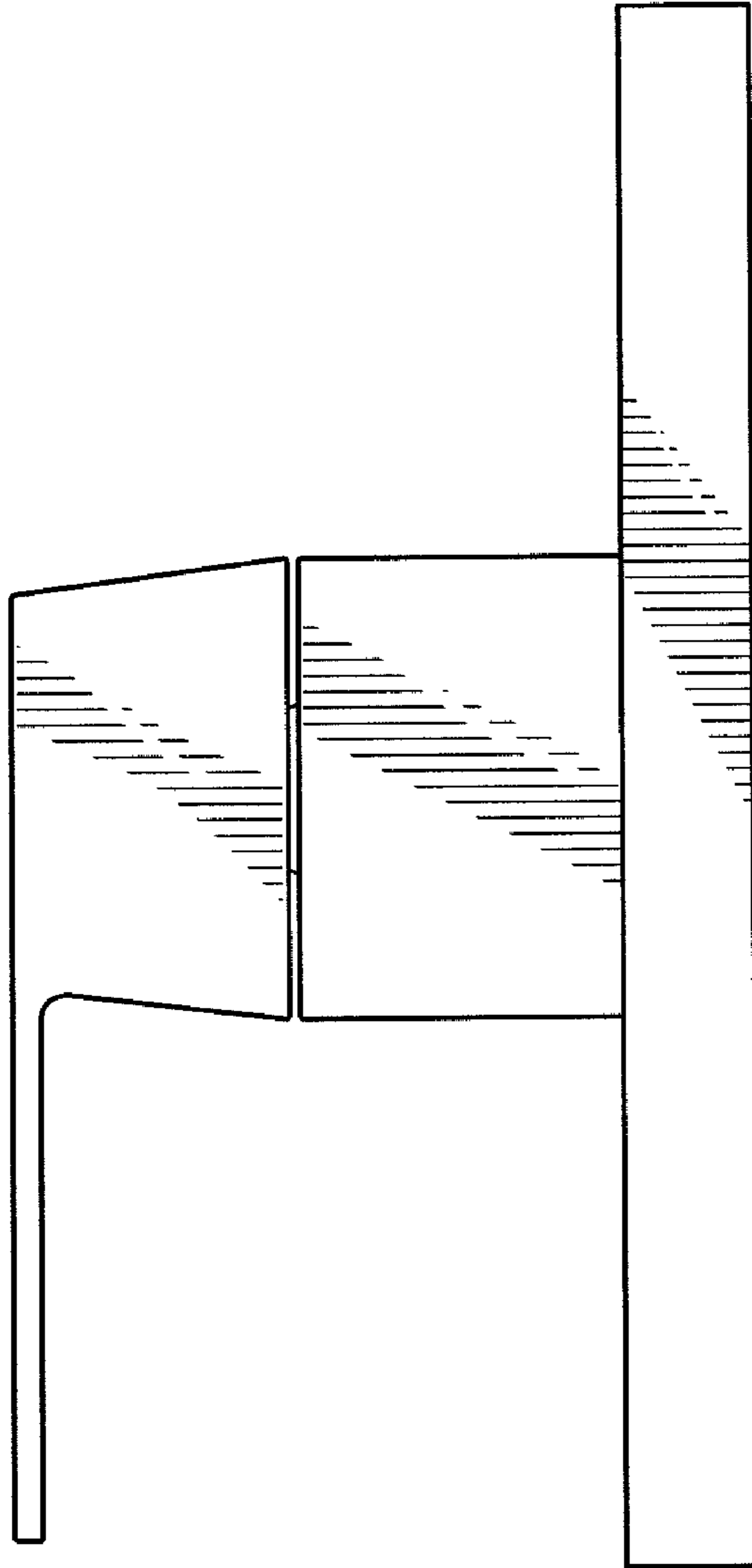
The dashed lines illustrate environment that does not form a part of the present invention, and no claim is made to the material illustrated with dashed lines.

**1 Claim, 7 Drawing Sheets**

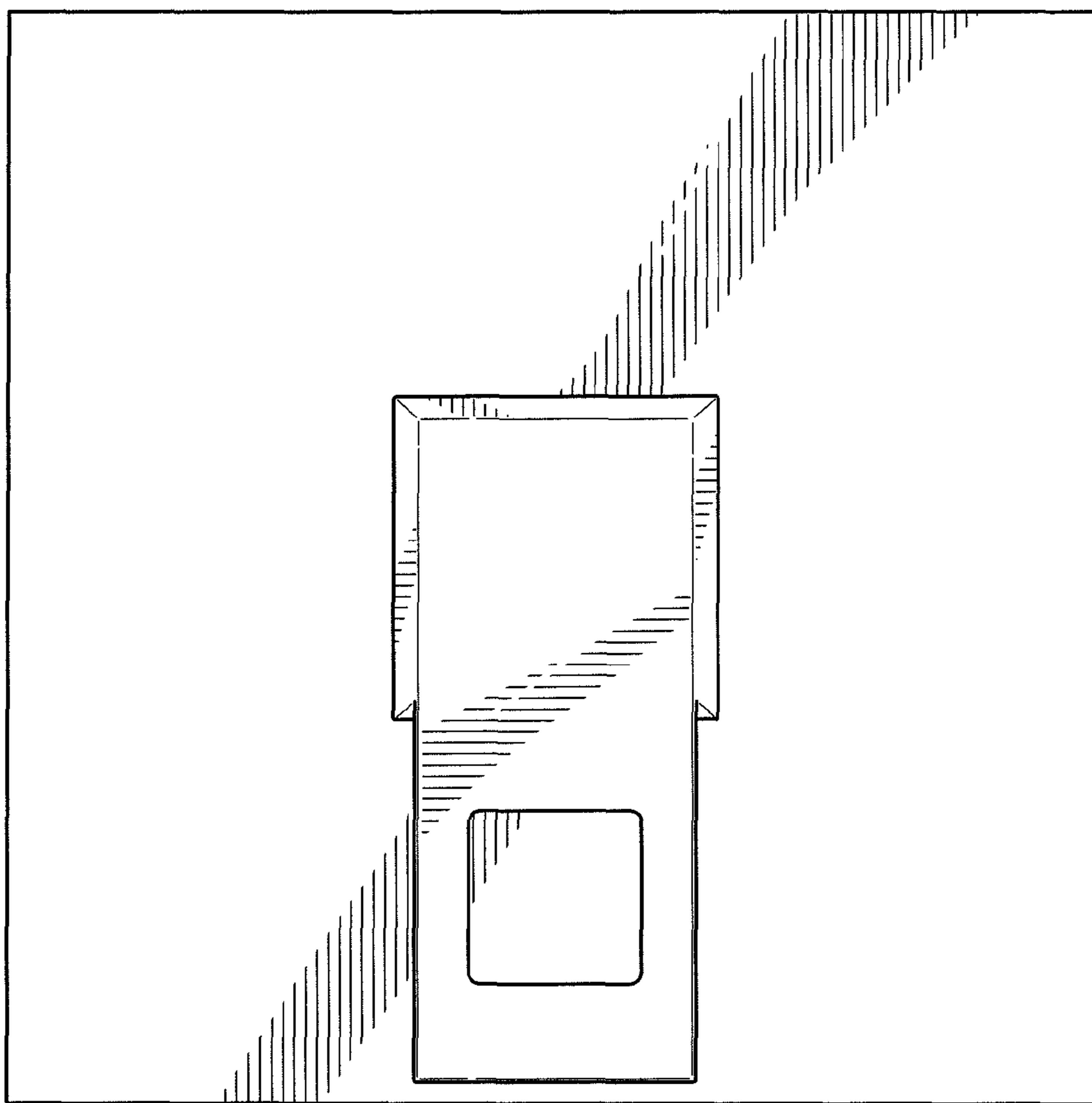




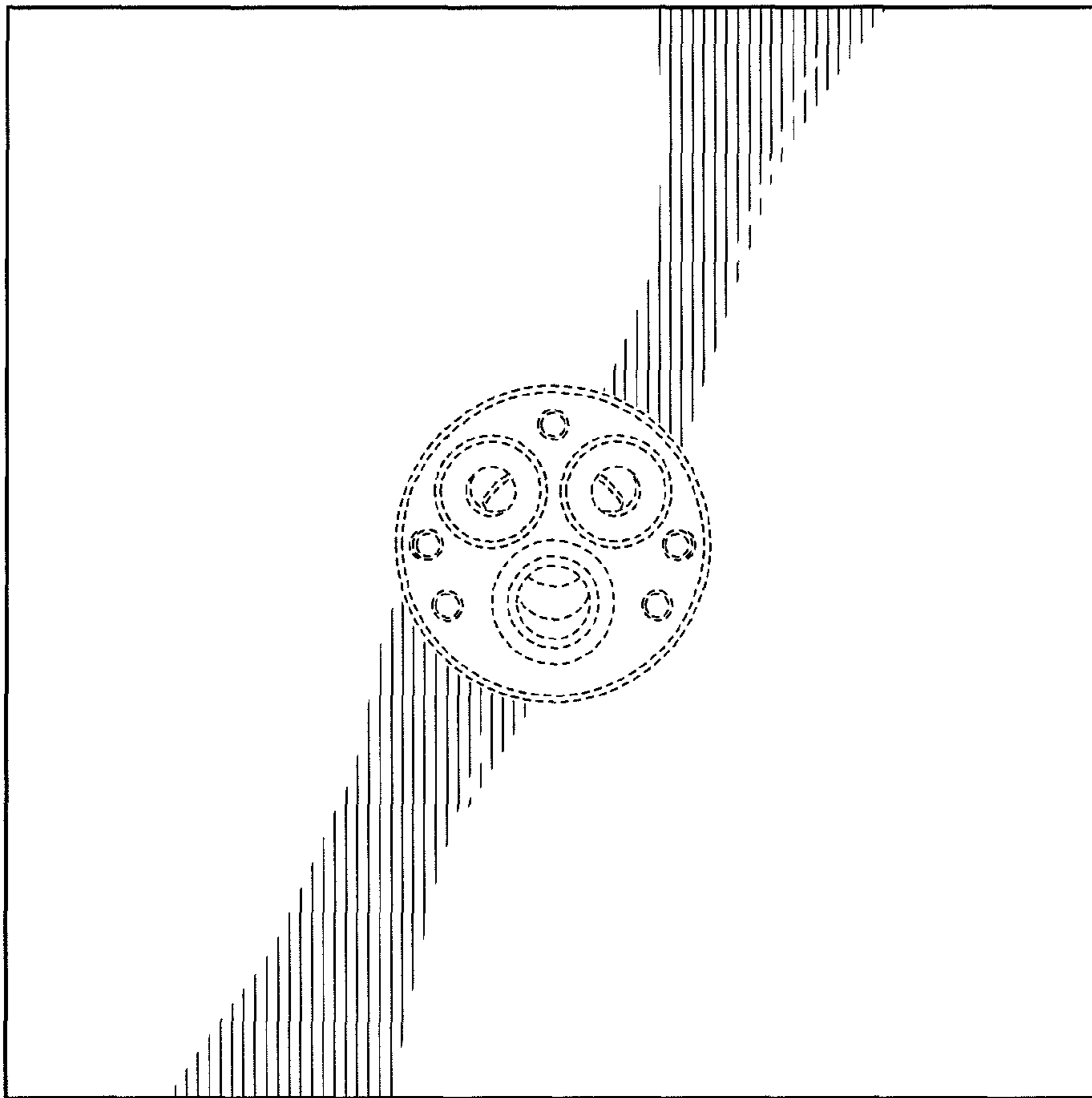
**FIG. 1**



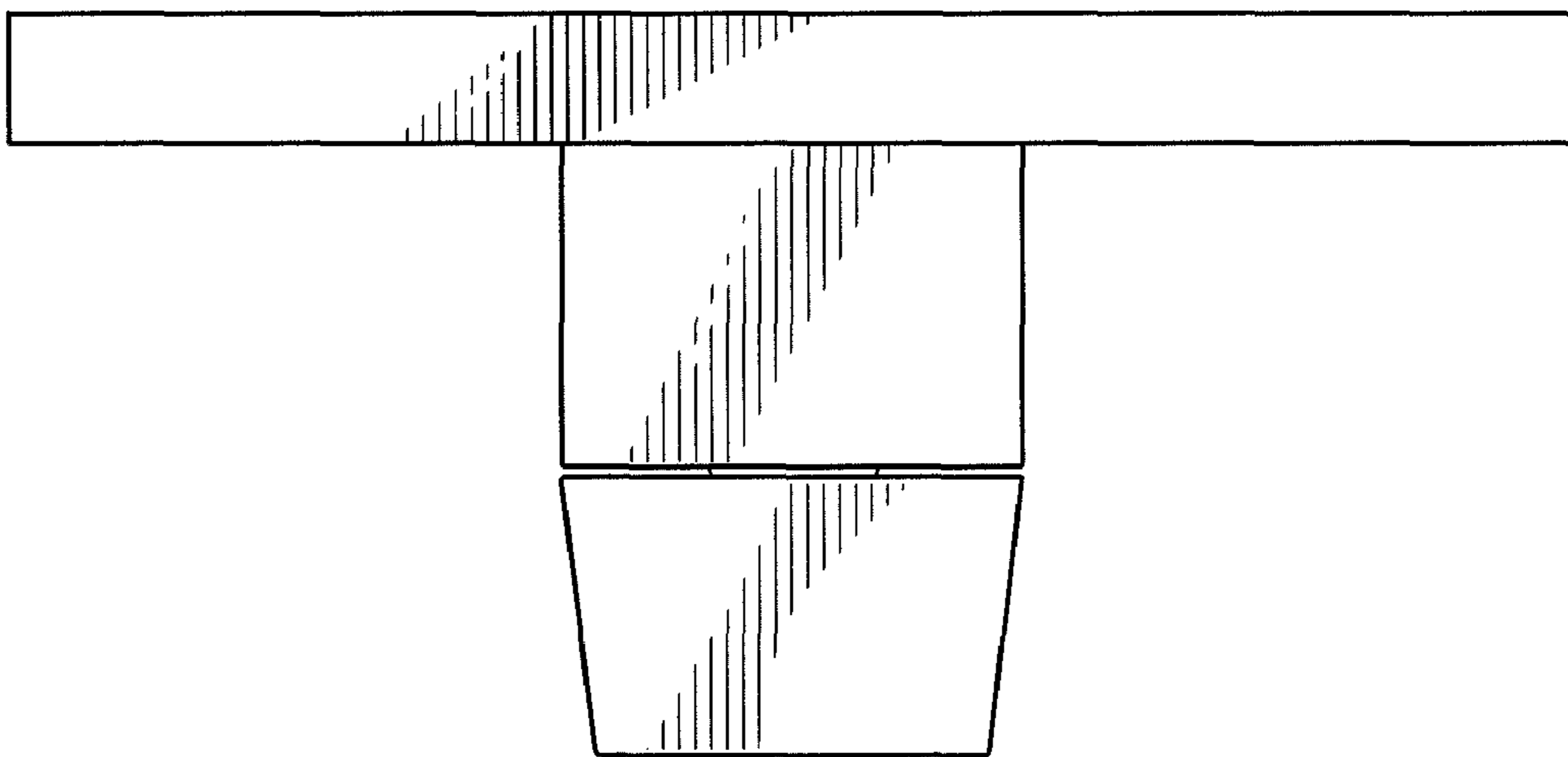
**FIG. 2**



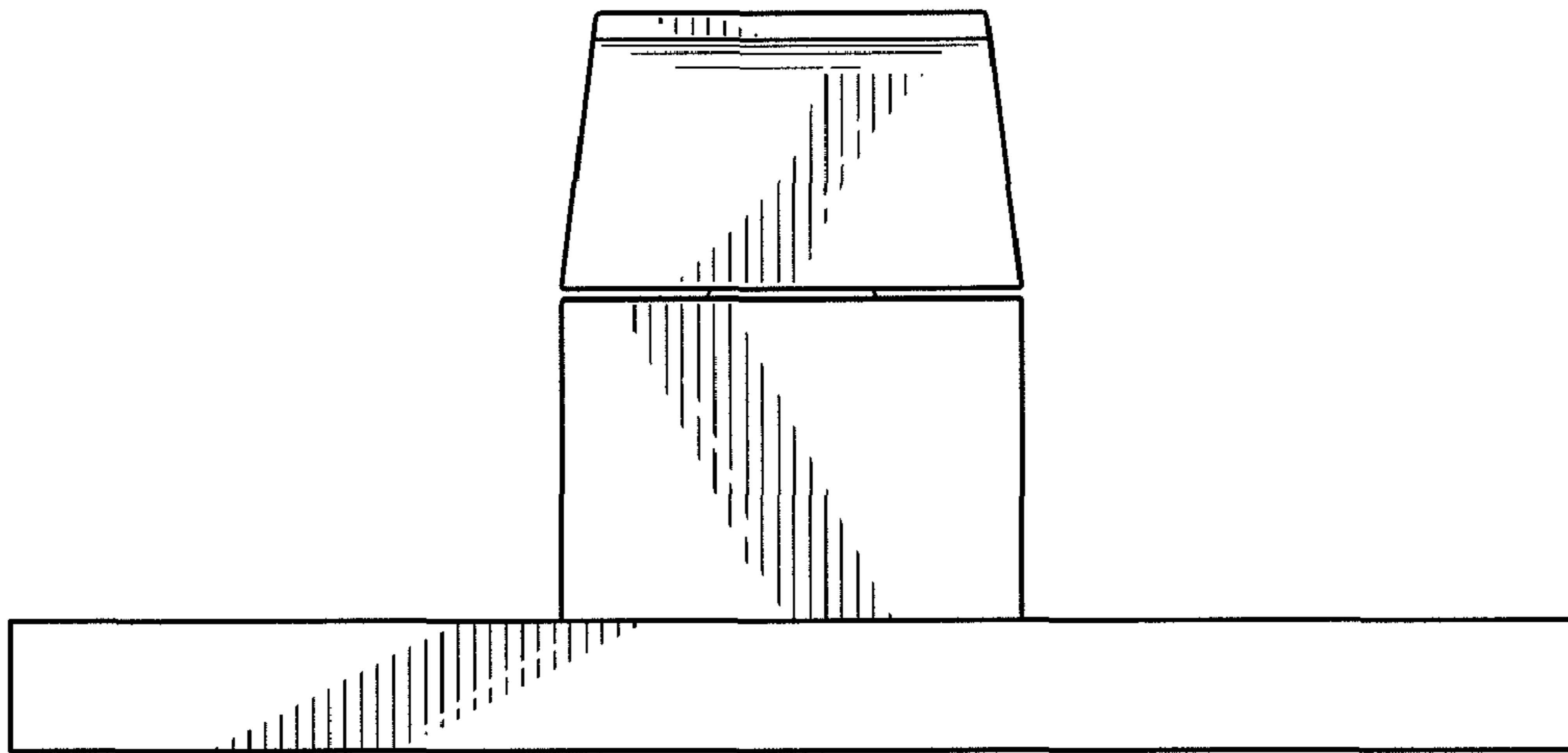
**FIG. 3**



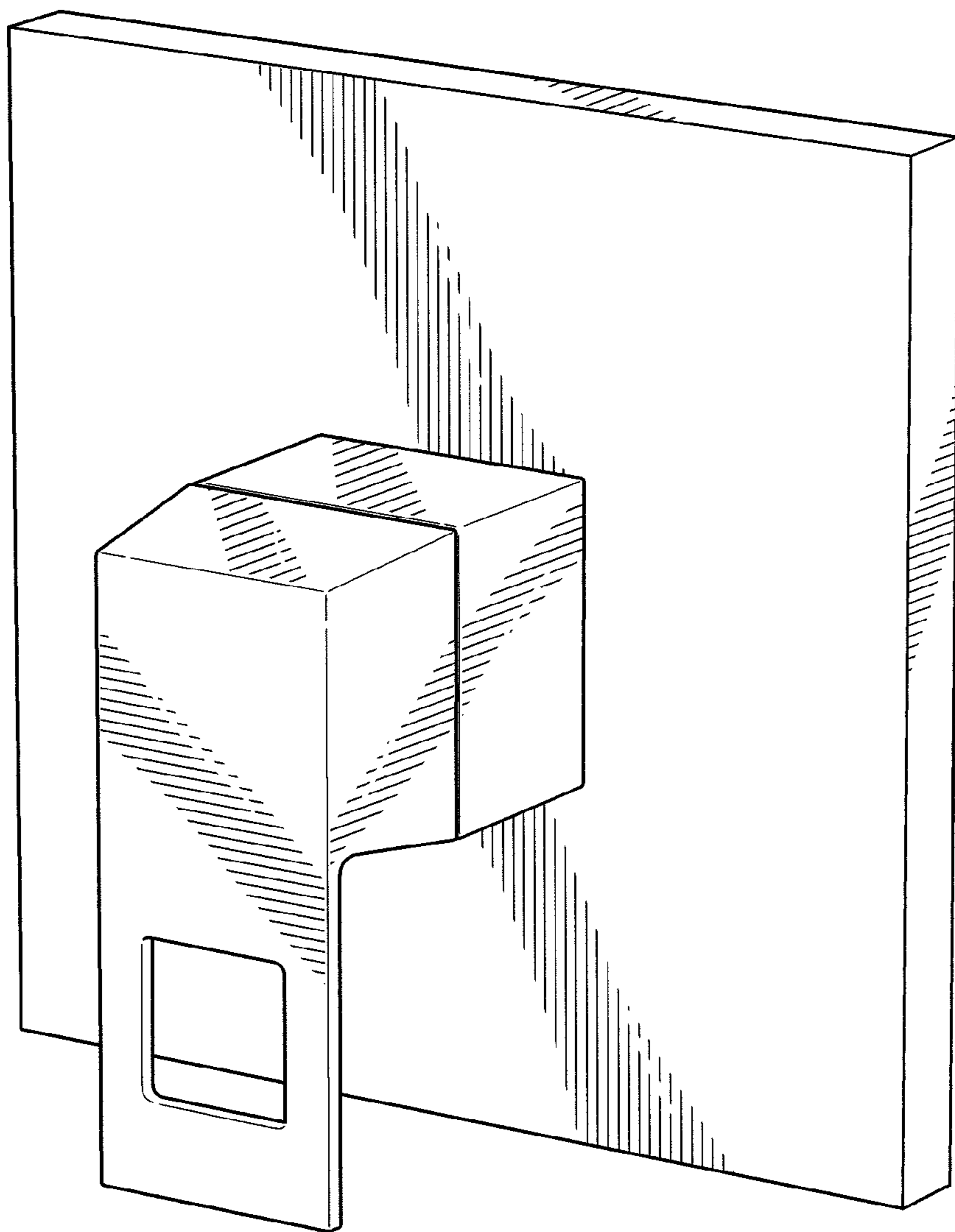
**FIG. 4**



**FIG. 5**



**FIG. 6**



**FIG. 7**