

US00D665882S

(12) **United States Design Patent**
Flowers et al.

(10) **Patent No.:** **US D665,882 S**

(45) **Date of Patent:** **** Aug. 21, 2012**

(54) **FAUCET**

(75) Inventors: **Paul Flowers**, Duesseldorf (DE); **Hans Lobermeier**, Menden (DE)

(73) Assignee: **Grohe AG**, Hemer (DE)

(**) Term: **14 Years**

(21) Appl. No.: **29/415,085**

(22) Filed: **Mar. 7, 2012**

Related U.S. Application Data

(62) Division of application No. 29/390,046, filed on Apr. 19, 2011, now Pat. No. Des. 657,847.

(30) **Foreign Application Priority Data**

Nov. 22, 2010 (EM) 001784133-0003

(51) **LOC (9) Cl.** **23-01**

(52) **U.S. Cl.** **D23/252**

(58) **Field of Classification Search** D23/255,
D23/238, 241-242, 257, 250, 252, 254; 4/675-678;
137/801

See application file for complete search history.

(56) **References Cited**

U.S. PATENT DOCUMENTS

D412,359	S	*	7/1999	Lobermeier	D23/254
D458,345	S	*	6/2002	Gottwald	D23/252
D517,662	S	*	3/2006	Mullenmeister	D23/252
D579,528	S	*	10/2008	Citterio	D23/252

* cited by examiner

Primary Examiner — Robert Delehanty

(74) *Attorney, Agent, or Firm* — Muncy, Geissler, Olds & Lowe, PLLC

(57) **CLAIM**

The ornamental design for a faucet, as shown and described.

DESCRIPTION

FIG. 1 is a left side elevational view of a faucet according to the present invention.

FIG. 2 is a right side elevational view of the faucet of FIG. 1.

FIG. 3 is a front elevational view of the faucet of FIG. 1.

FIG. 4 is a rear elevational view of the faucet of FIG. 1.

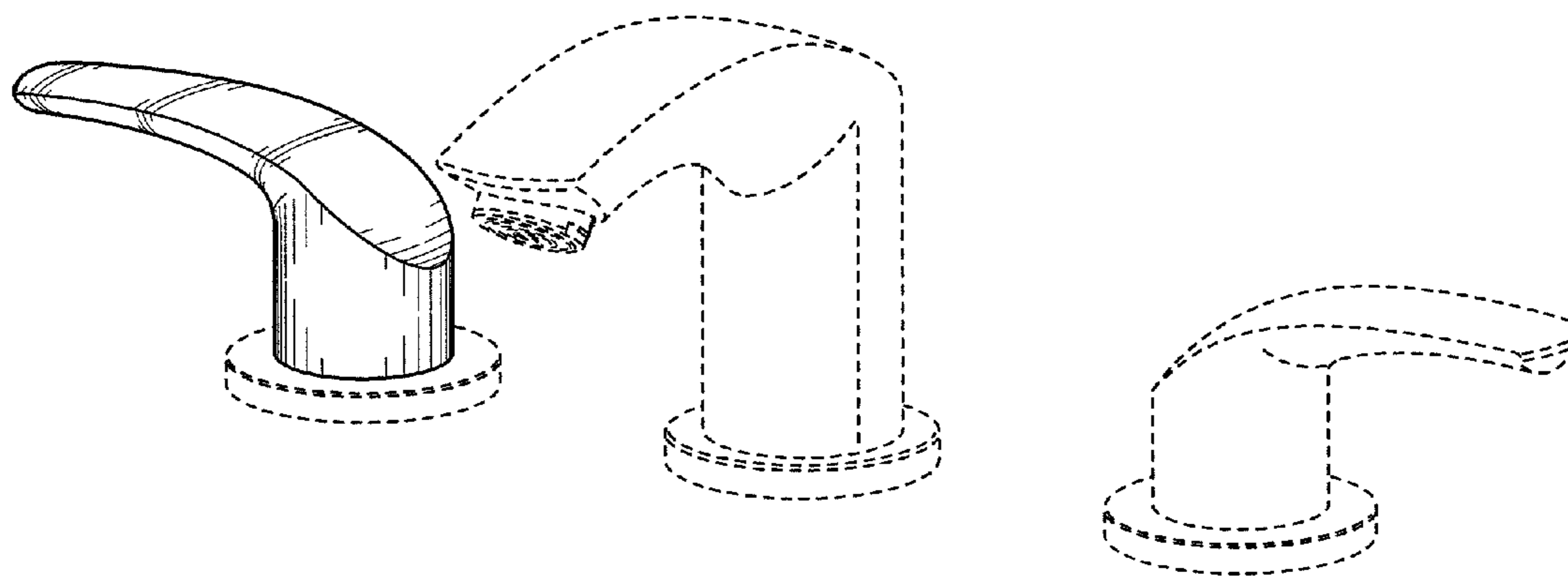
FIG. 5 is a top plan view of the faucet of FIG. 1.

FIG. 6 is a bottom plan view of the faucet of FIG. 1; and,

FIG. 7 is a three quarter view of the faucet of FIG. 1.

The dashed lines illustrate environment that does not form a part of the present invention, and no claim is made to the material illustrated with dashed lines.

1 Claim, 5 Drawing Sheets



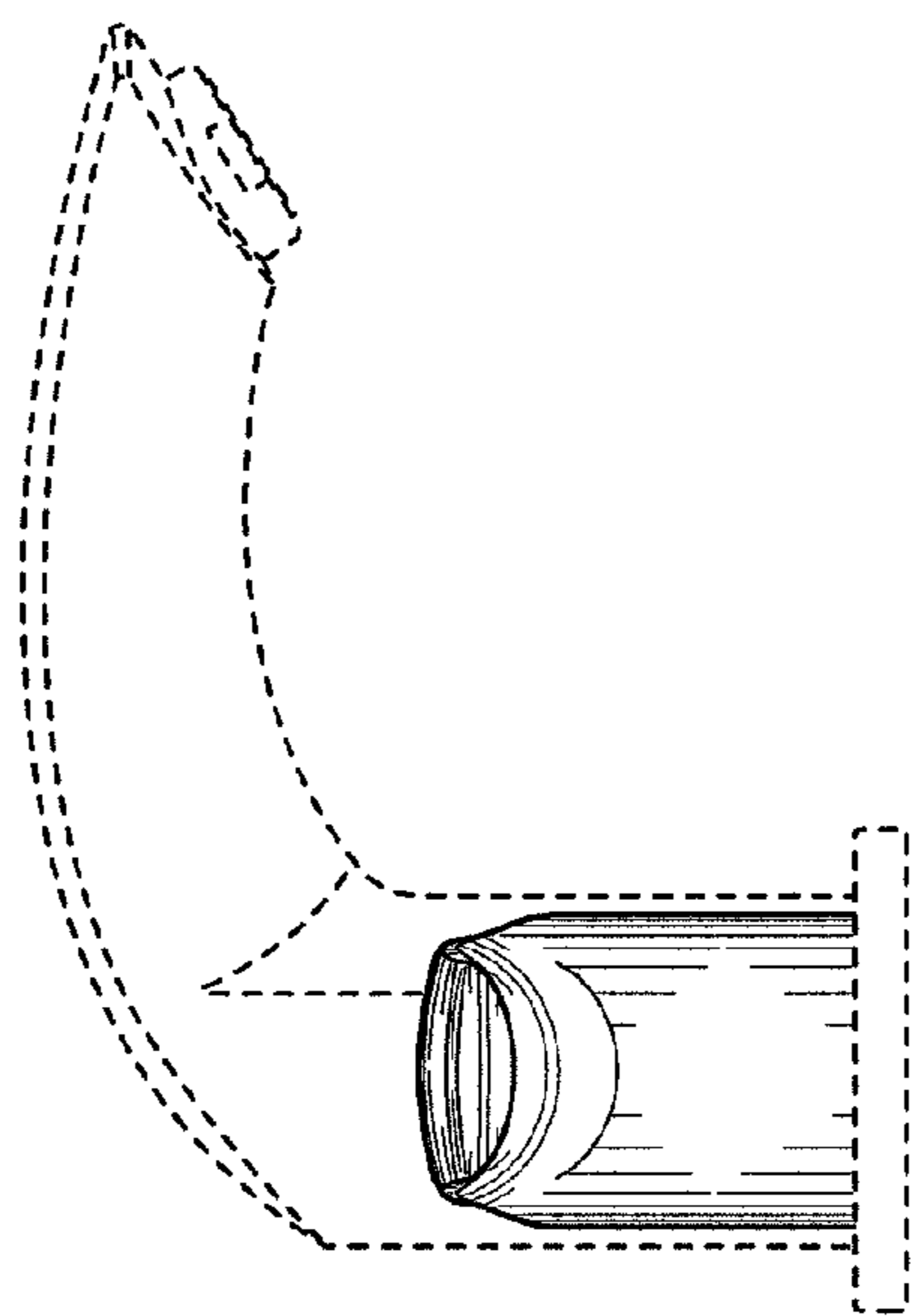


FIG. 1

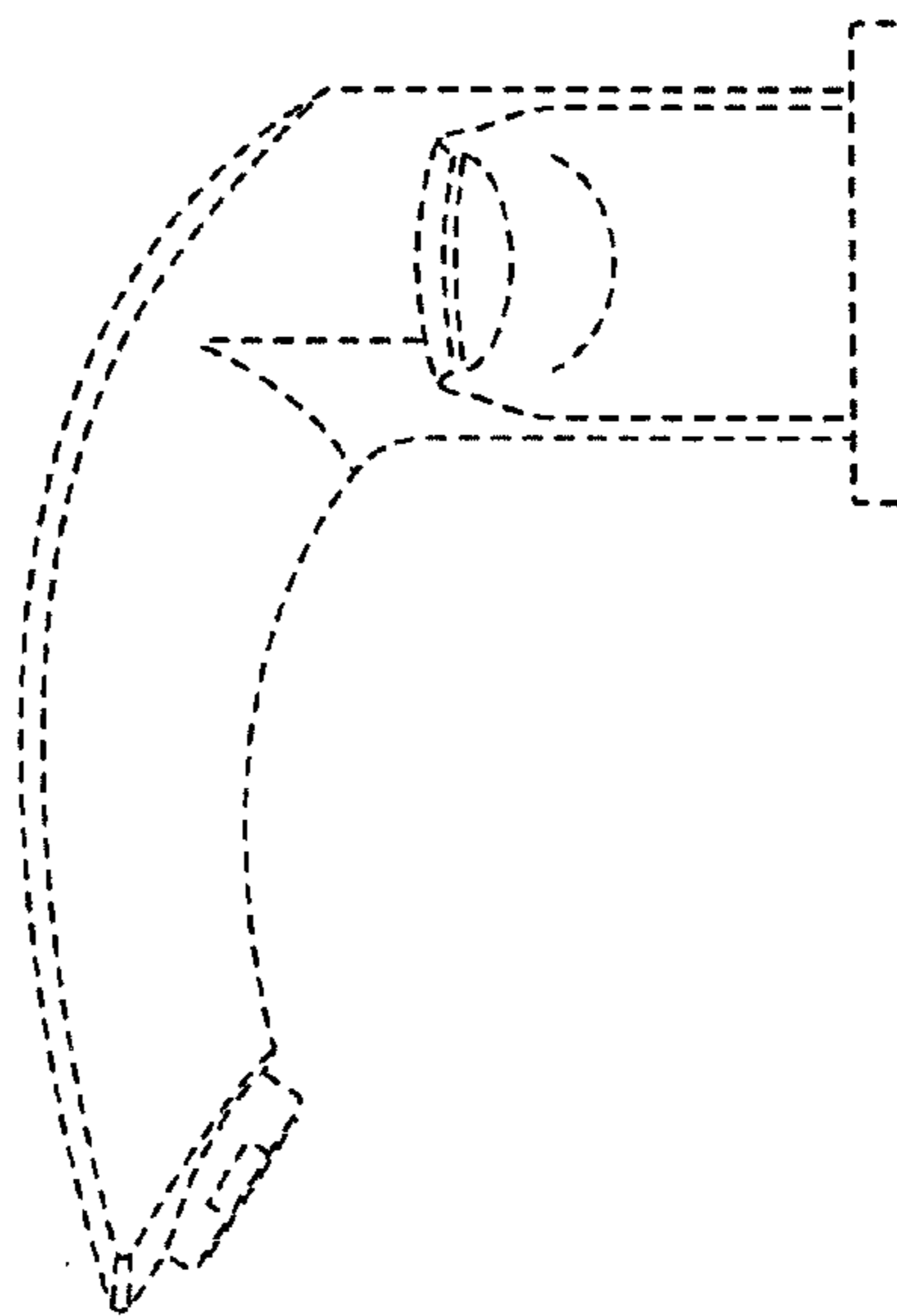


FIG. 2

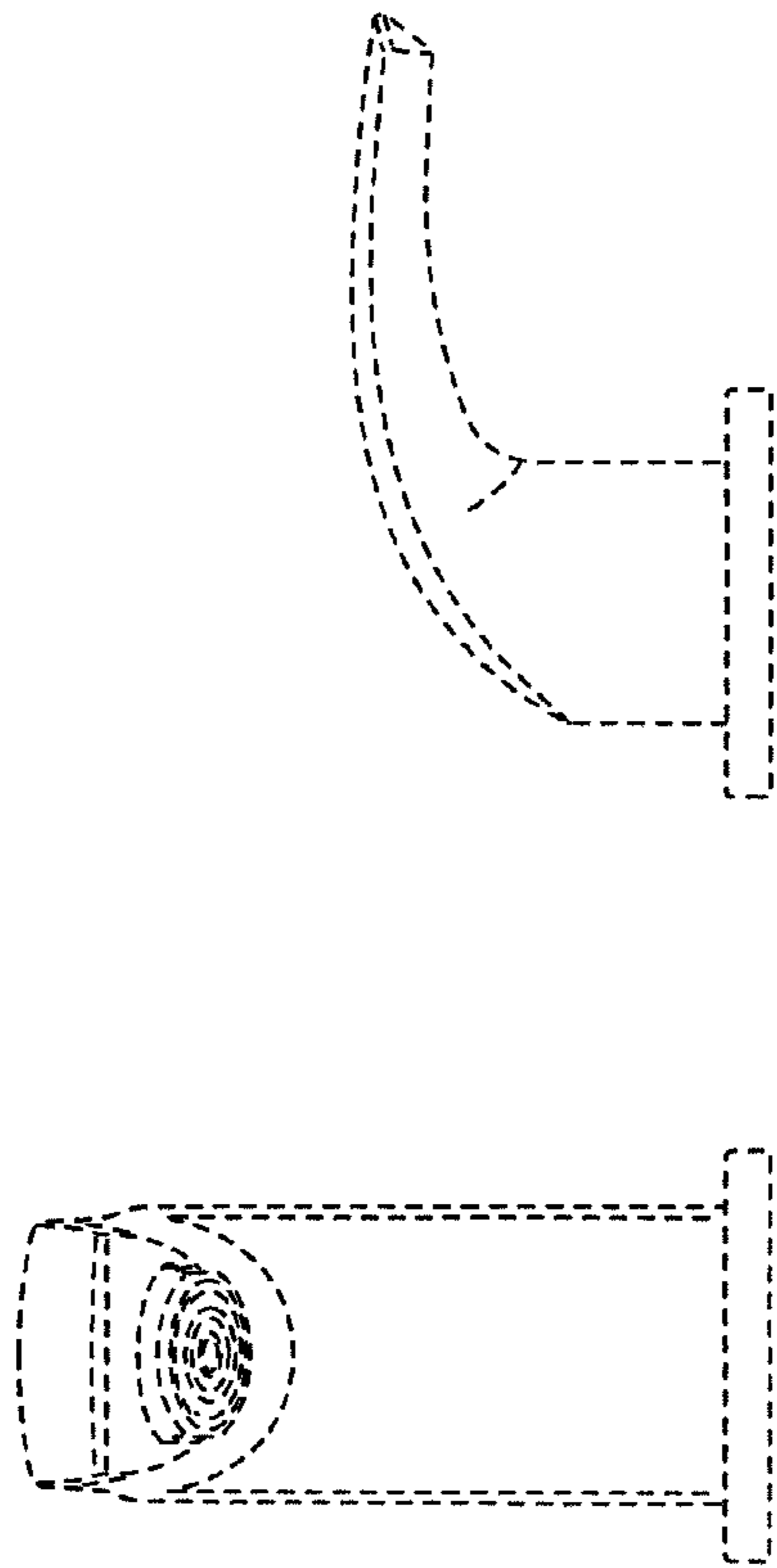


FIG. 3

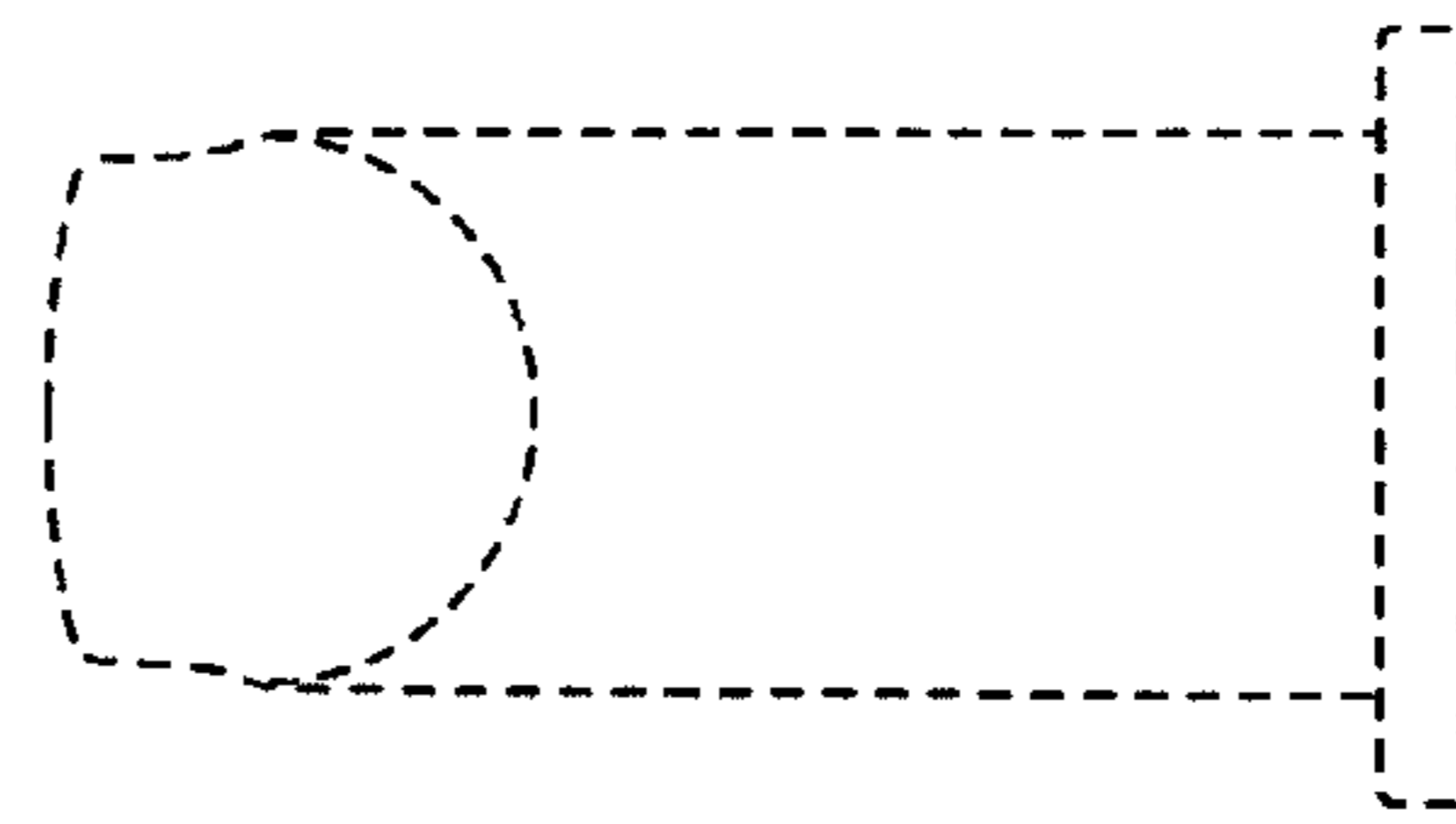
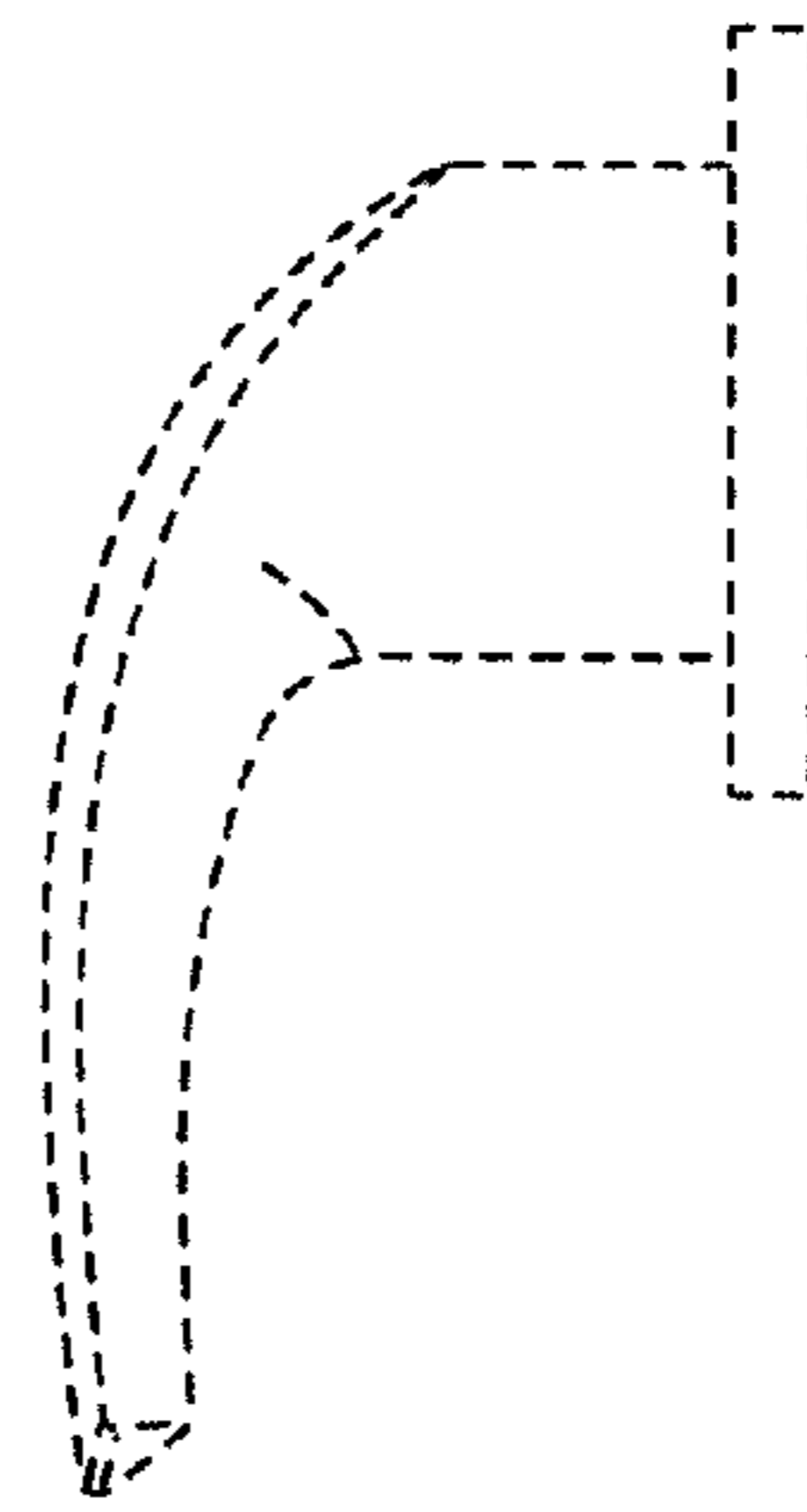
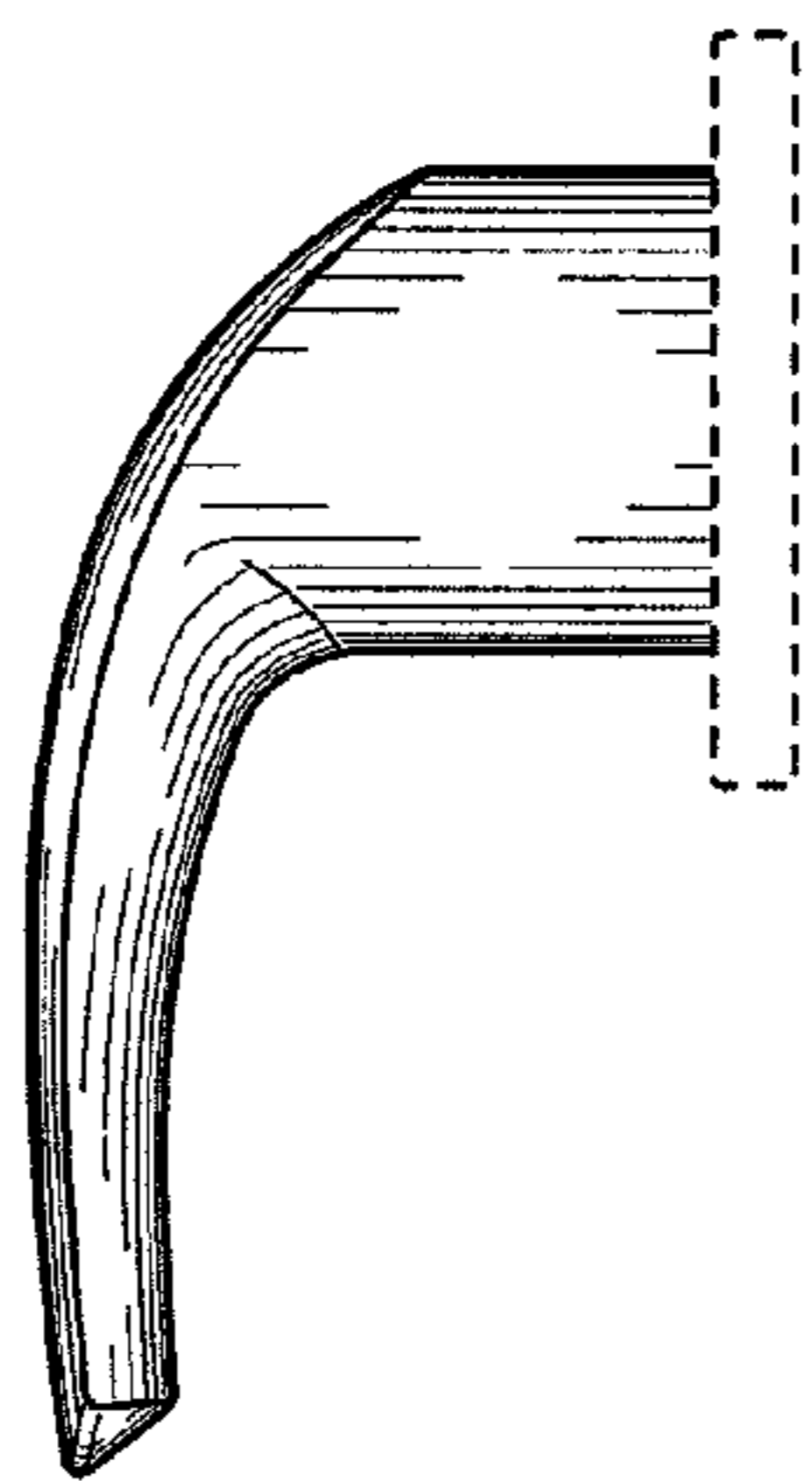


FIG. 4



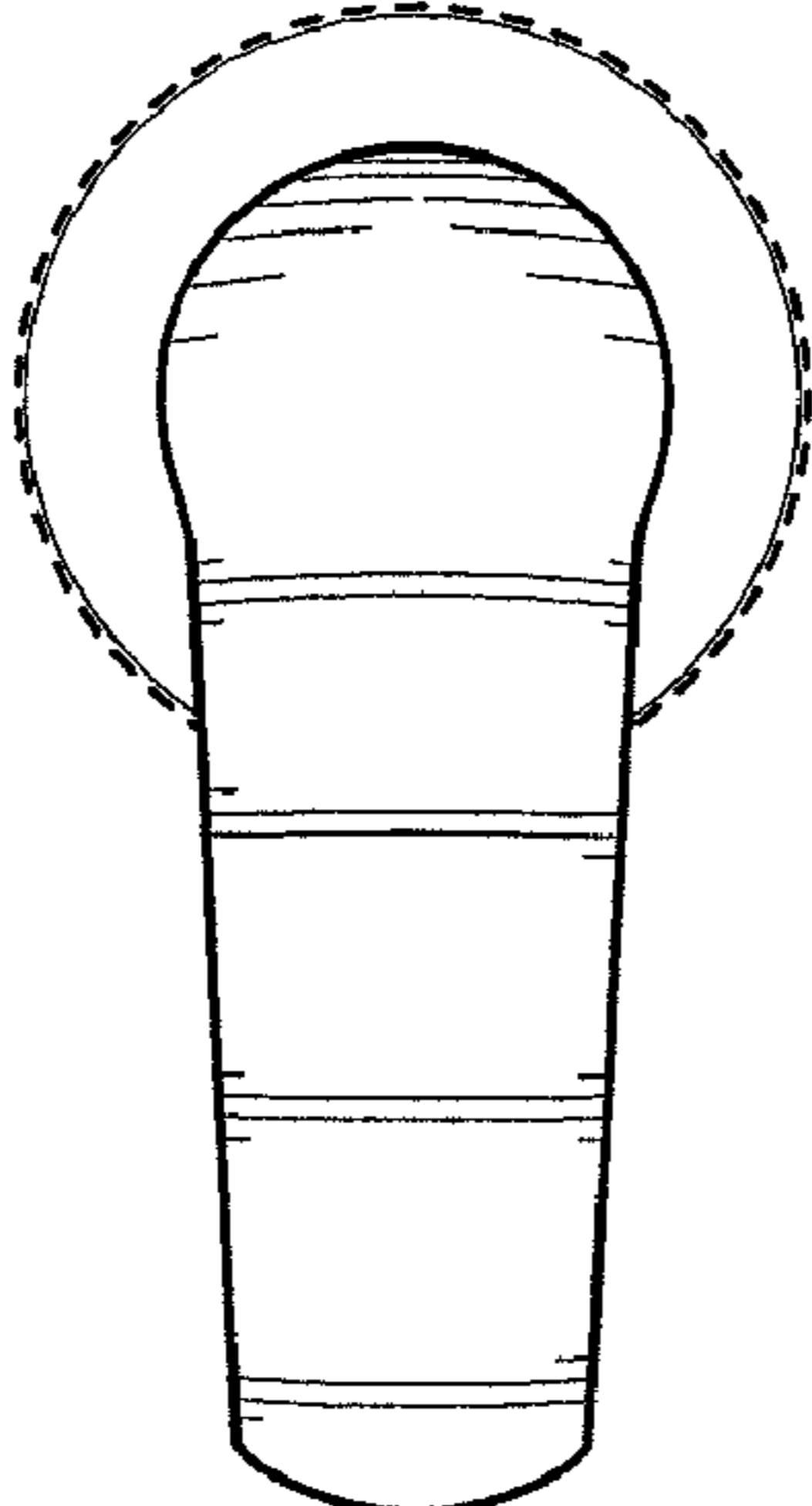
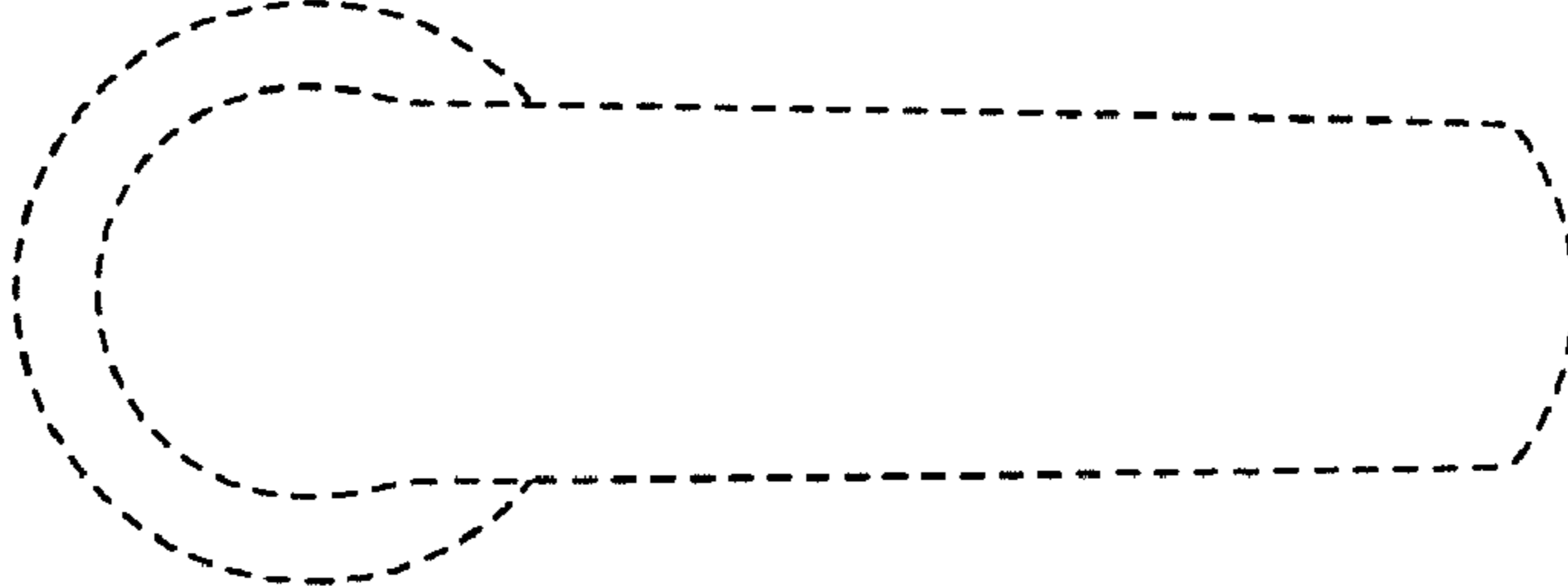
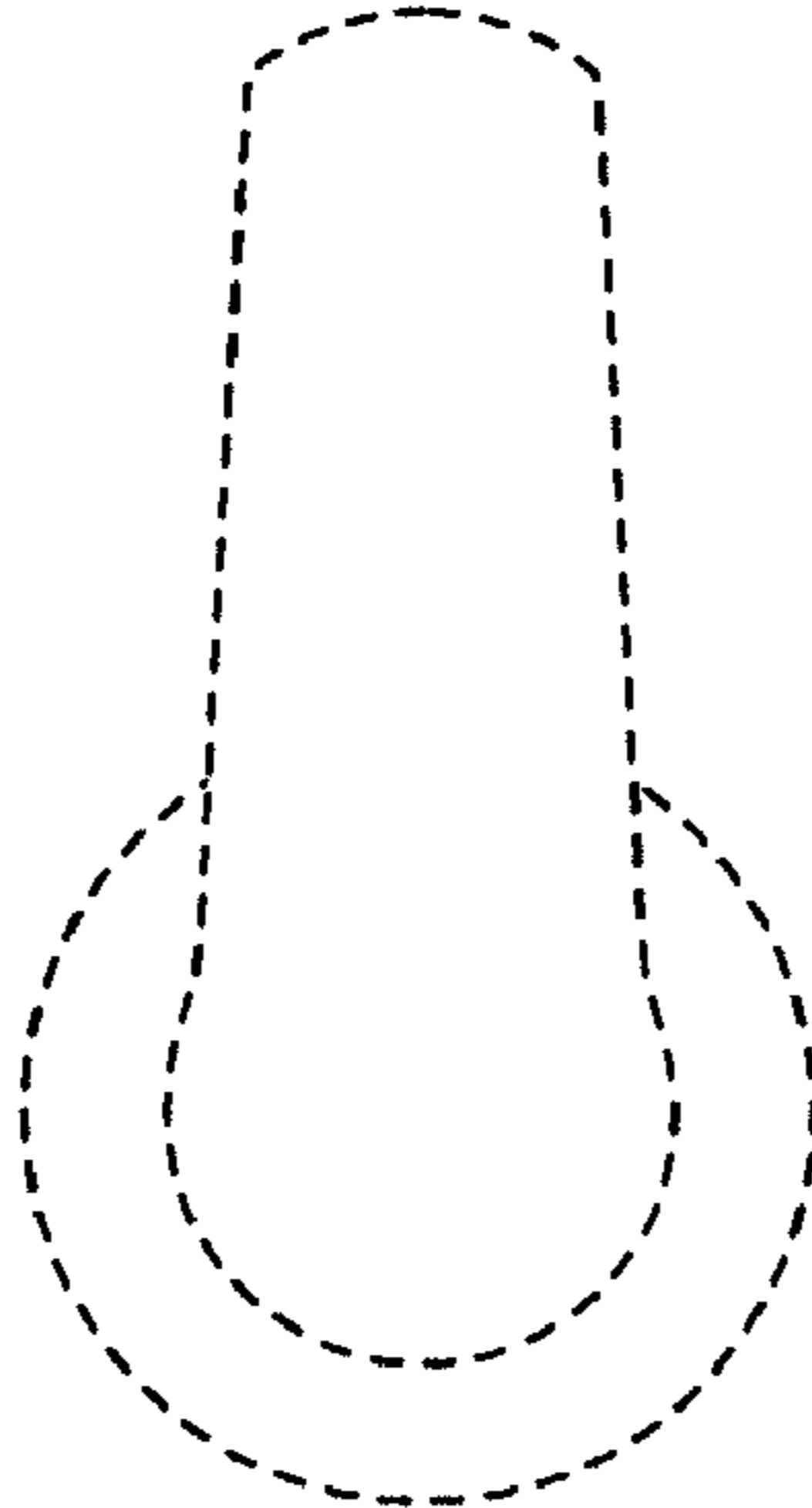


FIG. 5

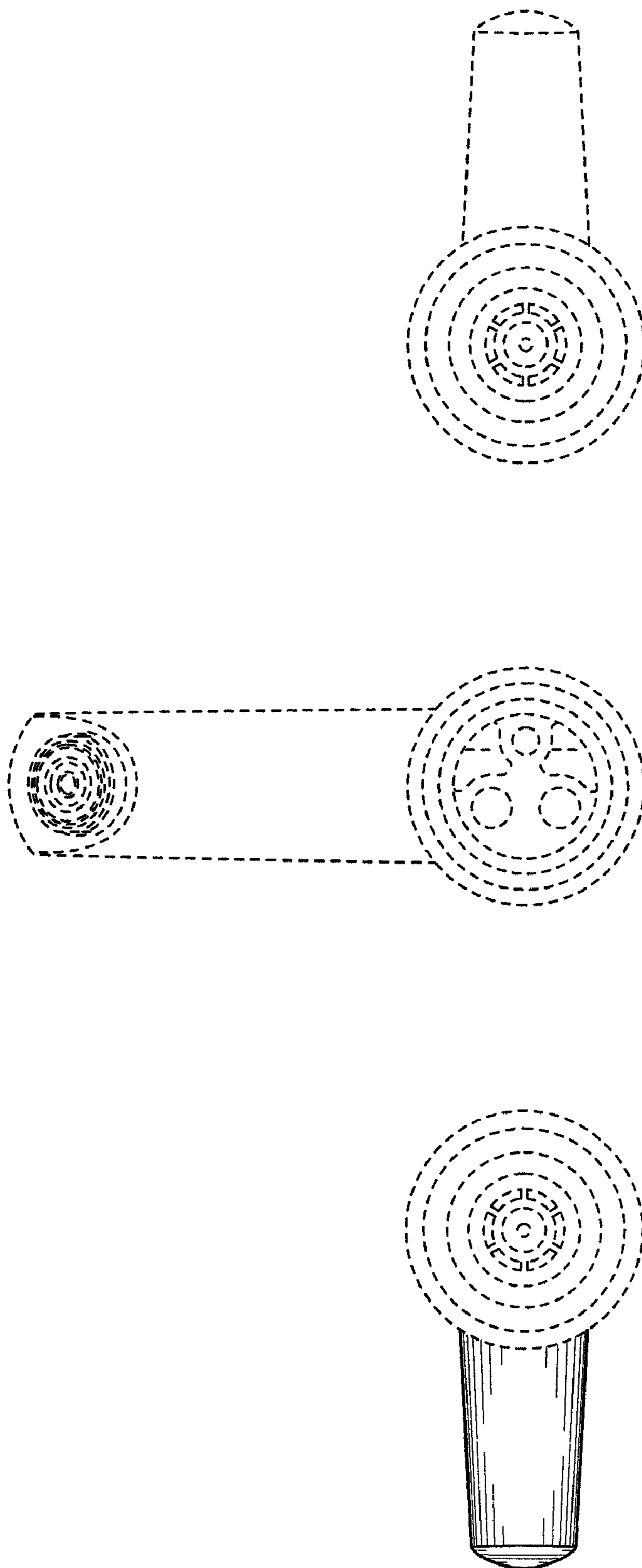


FIG. 6

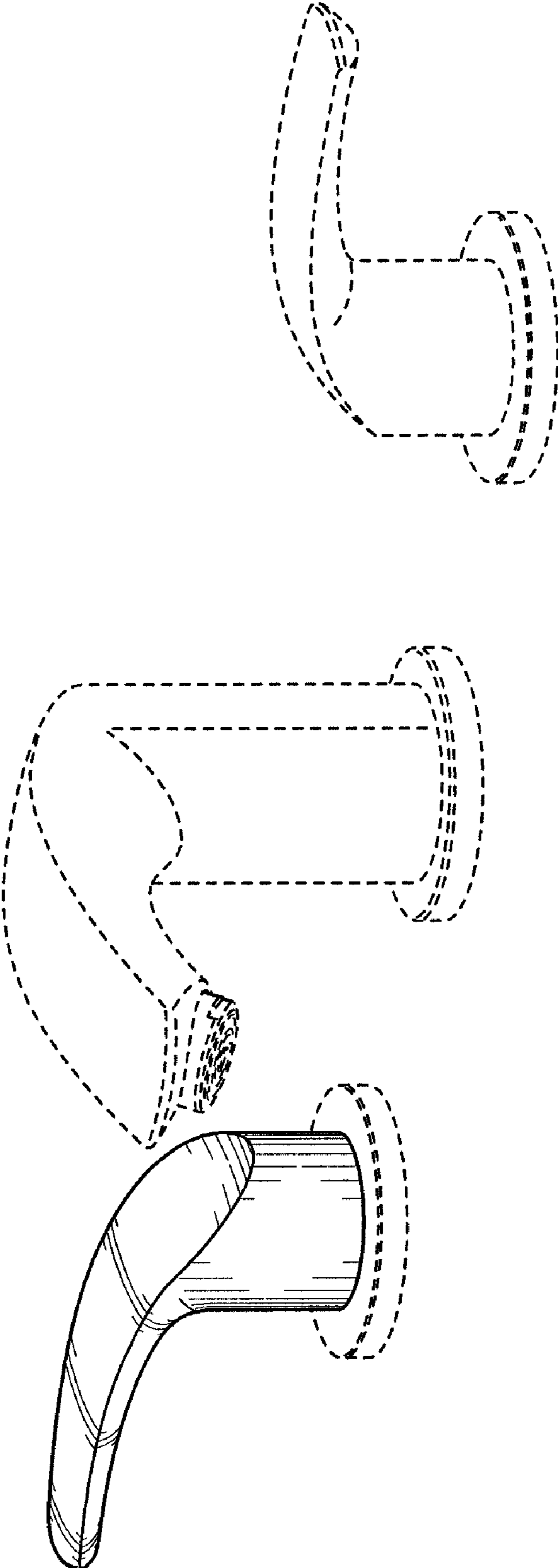


FIG. 7