



US00D665880S

(12) **United States Design Patent**
Flowers et al.

(10) **Patent No.:** **US D665,880 S**

(45) **Date of Patent:** **** Aug. 21, 2012**

(54) **VALVE LEVER**

(75) Inventors: **Paul Flowers**, Duesseldorf (DE);
Patrick Speck, Curitiba (BR)

(73) Assignee: **Grohe AG**, Hemer (DE)

(**) Term: **14 Years**

(21) Appl. No.: **29/399,075**

(22) Filed: **Aug. 9, 2011**

(30) **Foreign Application Priority Data**

Feb. 9, 2011 (EM) 001818550-0001

(51) **LOC (9) Cl.** **23-02**

(52) **U.S. Cl.** **D23/252**

(58) **Field of Classification Search** D23/238-242,
D23/250-252; 4/675-678; 137/801

See application file for complete search history.

(56) **References Cited**

U.S. PATENT DOCUMENTS

D280,233 S * 8/1985 Fleischmann D23/238

D539,389 S * 3/2007 Stein D23/241

D624,990 S * 10/2010 Joerger et al. D23/242

D652,118 S * 1/2012 Corpuz, Jr. D23/252

* cited by examiner

Primary Examiner — Robert Delehanty

(74) *Attorney, Agent, or Firm* — Muncy, Geissler, Olds &
Lowe, PLLC

(57) **CLAIM**

The ornamental design for a valve lever, as shown and described.

DESCRIPTION

FIG. 1 is a left side elevational view of a valve lever according to the invention.

FIG. 2 is a right side elevational view of the valve lever of FIG. 1.

FIG. 3 is a front elevational view of the valve lever of FIG. 1.

FIG. 4 is a rear elevational view of the valve lever of FIG. 1.

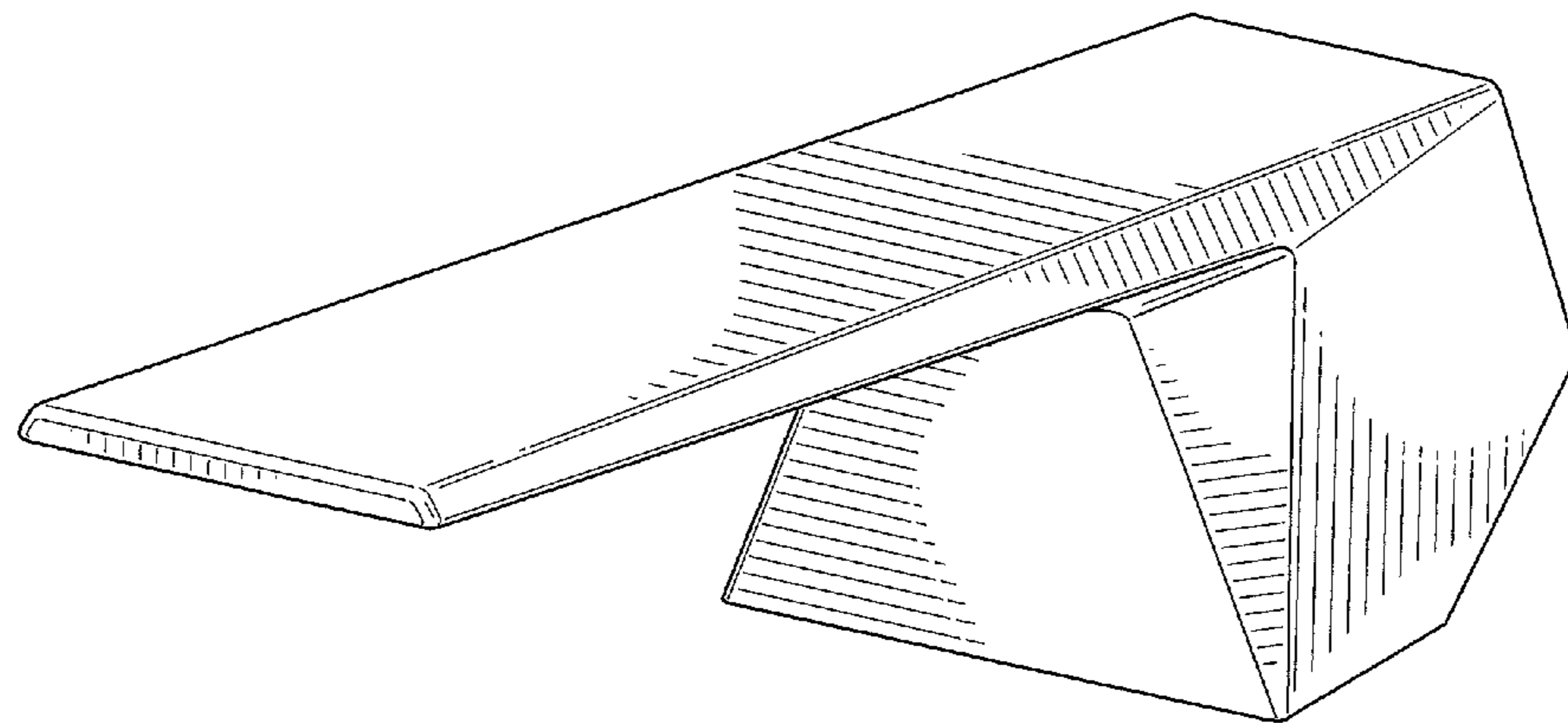
FIG. 5 is a top plan view of the valve lever of FIG. 1.

FIG. 6 is a bottom plan view of the valve lever of FIG. 1; and,

FIG. 7 is a perspective view of the valve lever of FIG. 1.

The dashed lines illustrate environment that does not form a part of the present invention, and no claim is made to the material illustrated with dashed lines.

1 Claim, 4 Drawing Sheets



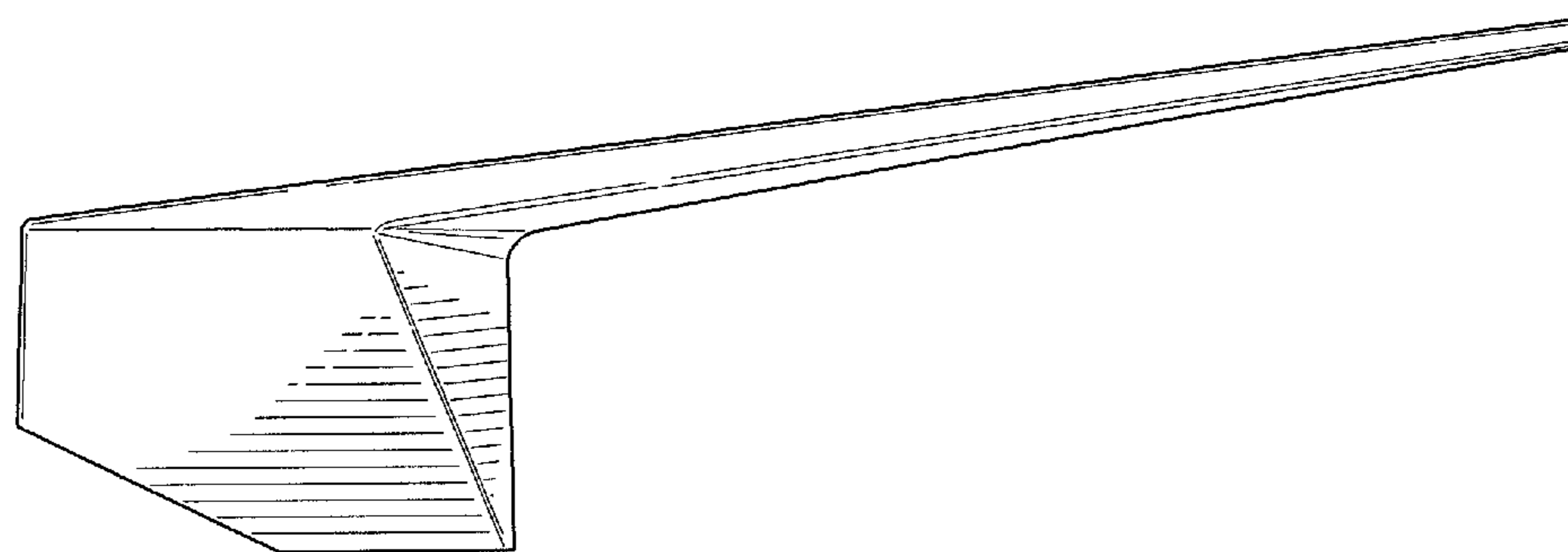


FIG. 1

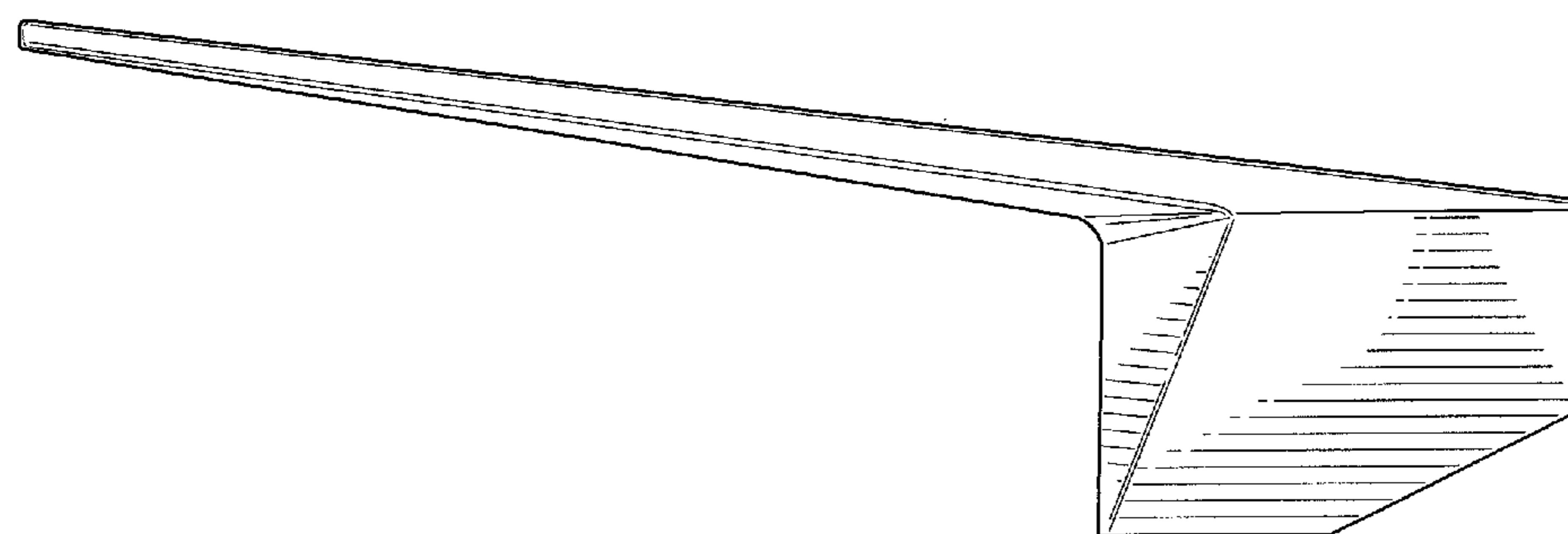


FIG. 2

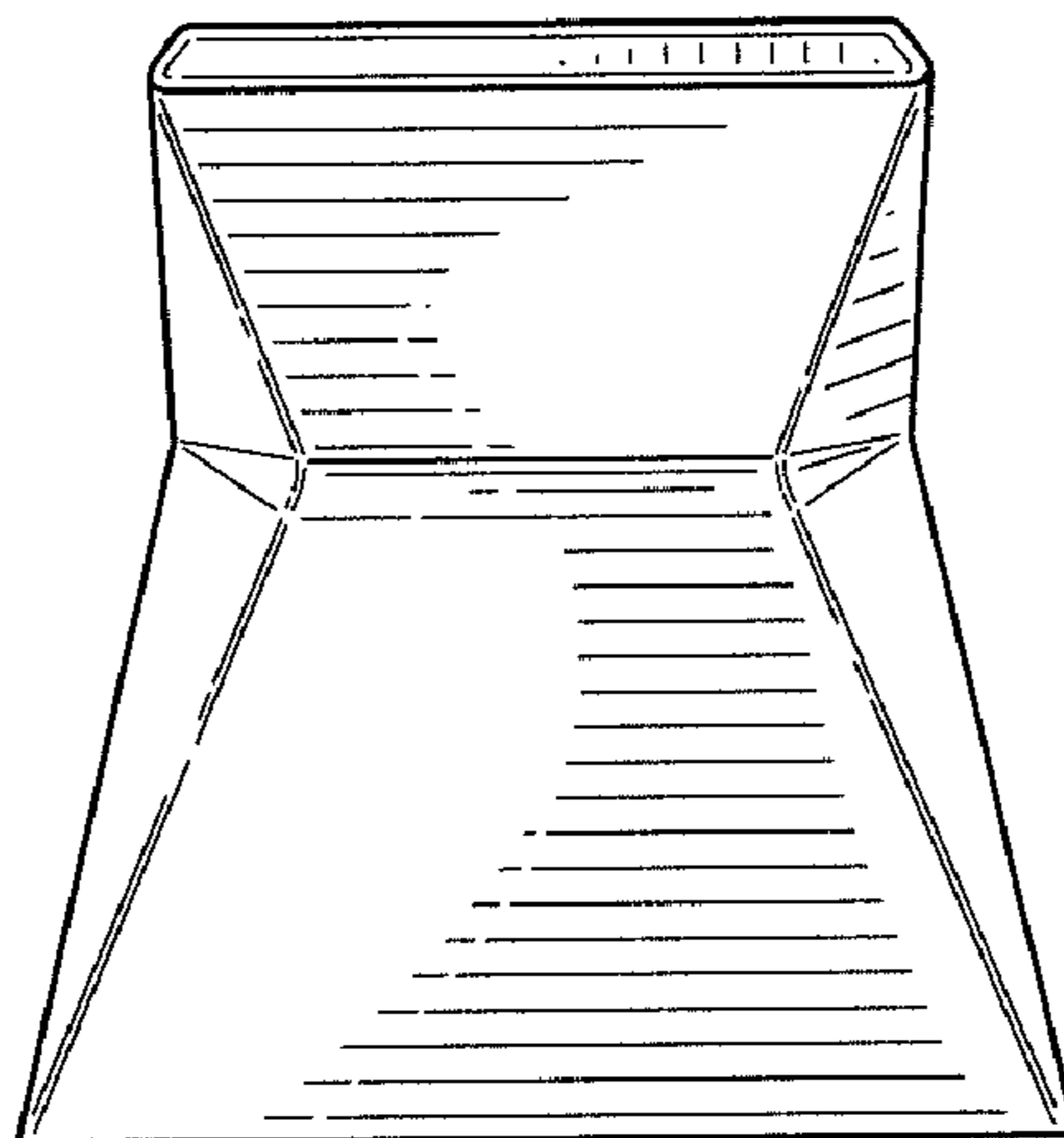


FIG. 3

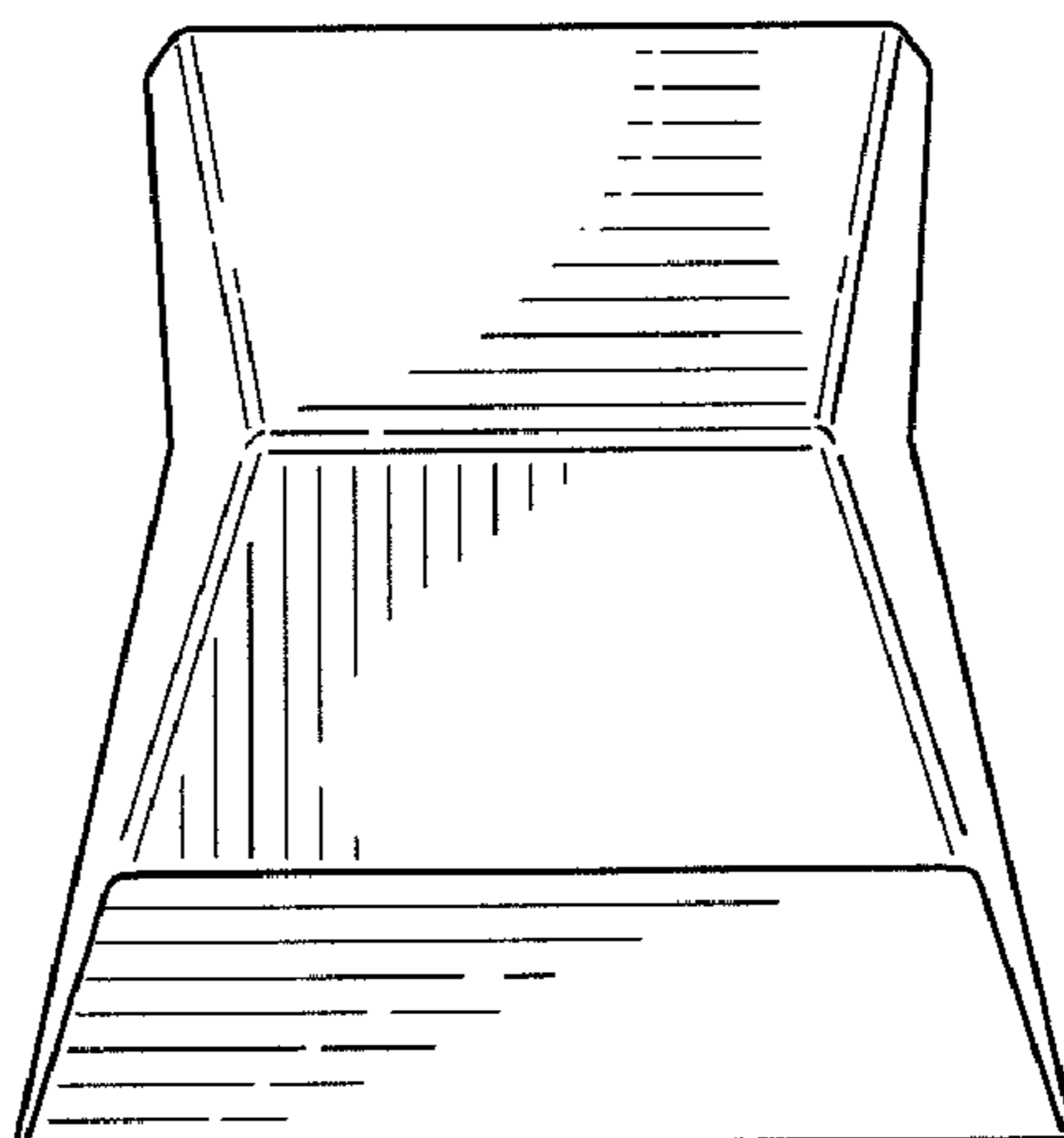


FIG. 4

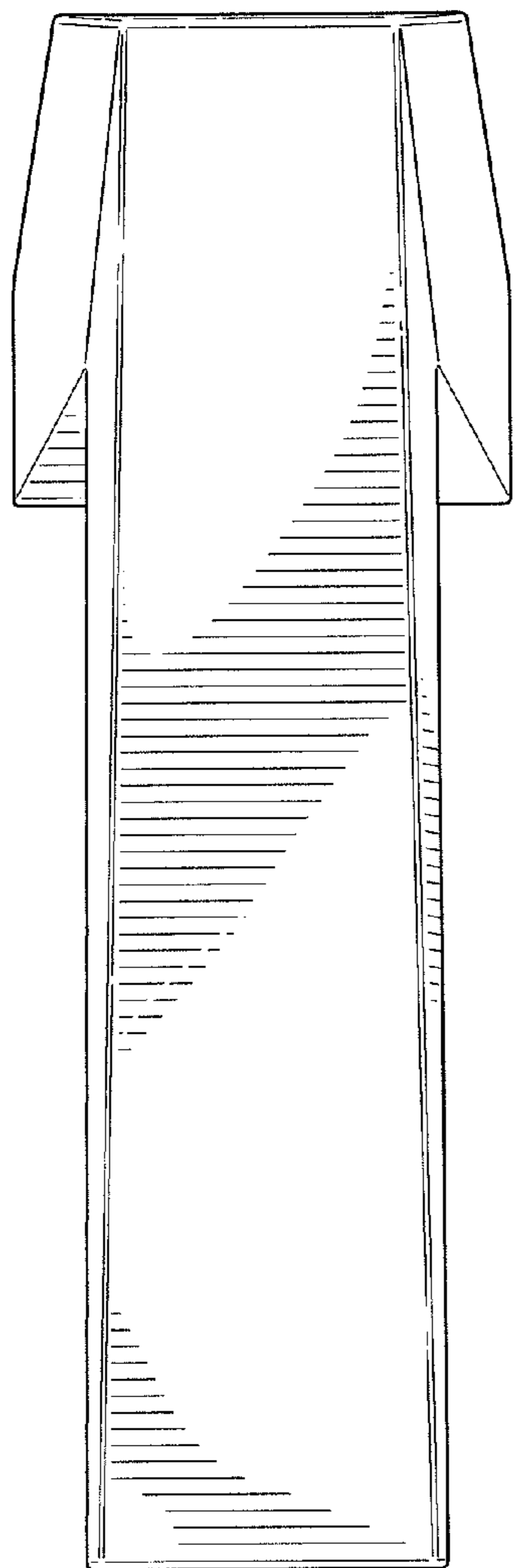


FIG. 5

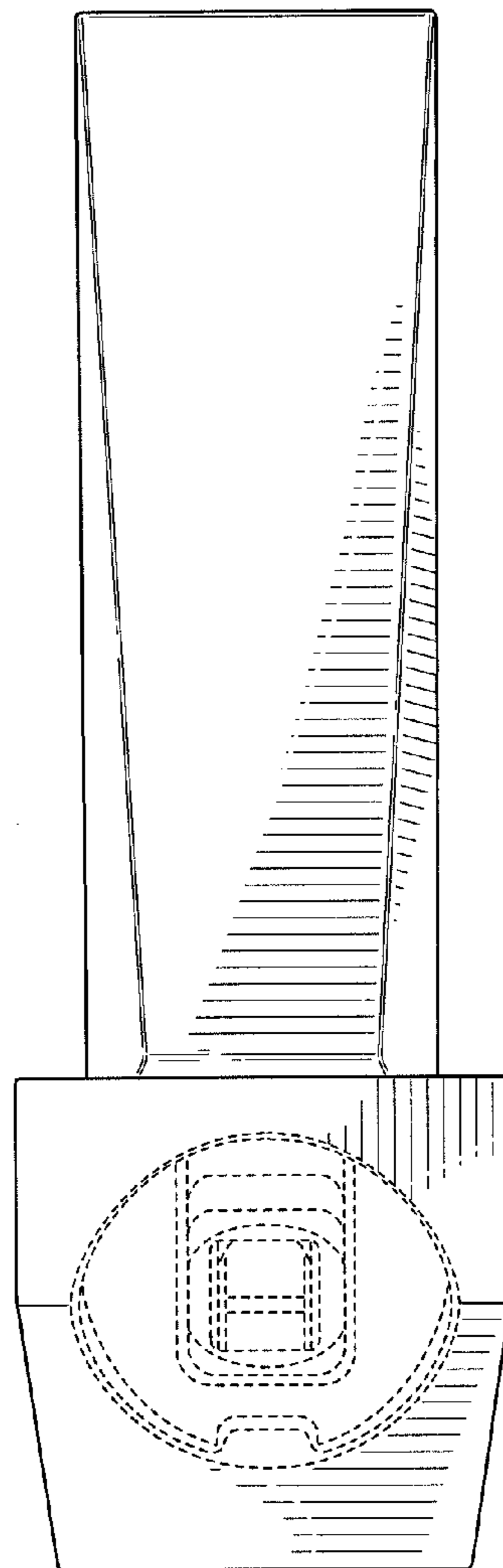


FIG. 6

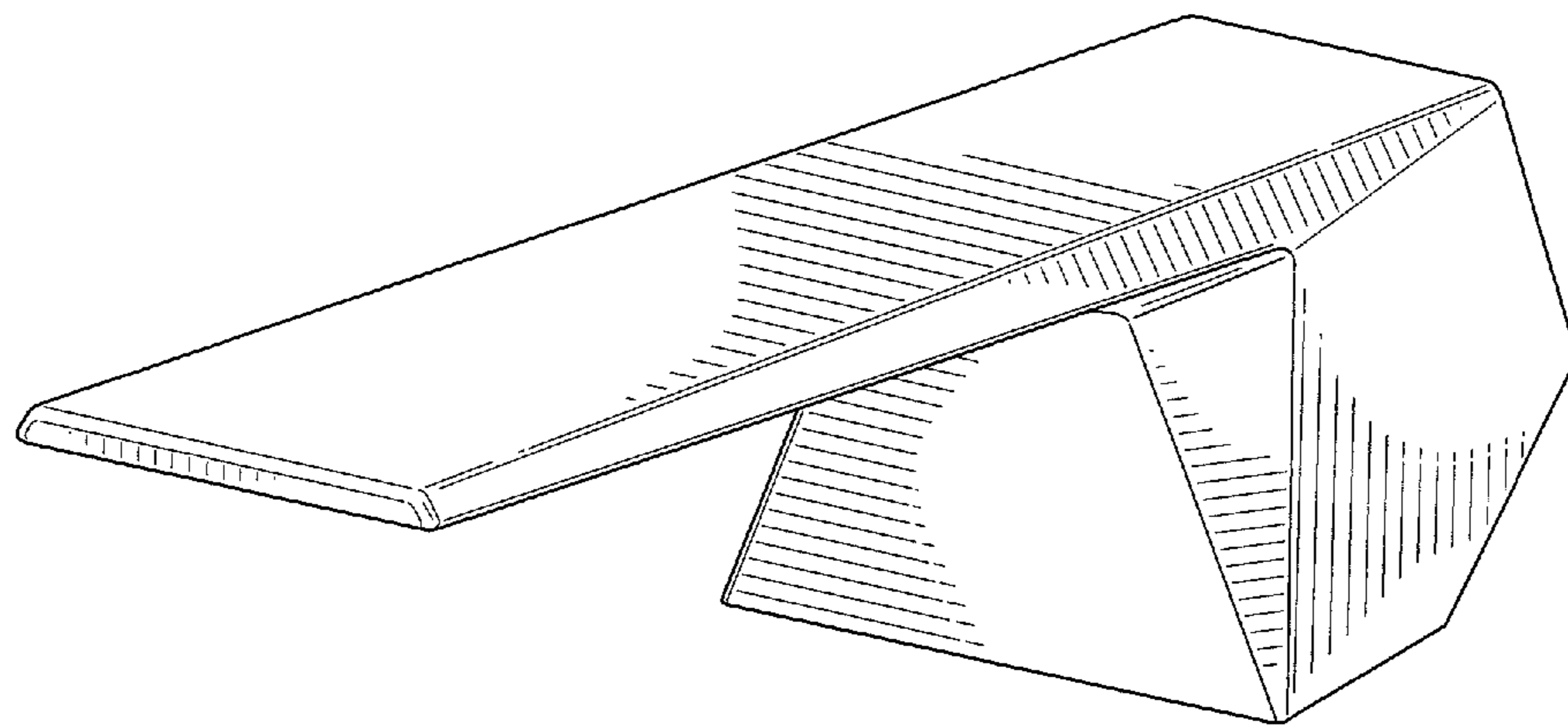


FIG. 7