

US00D665878S

(12) **United States Design Patent**
Flowers et al.

(10) **Patent No.:** **US D665,878 S**

(45) **Date of Patent:** **** Aug. 21, 2012**

(54) **HANDLE**

(75) Inventors: **Paul Flowers**, Duesseldorf (DE);
Patrick Speck, Curitiba (BR)

(73) Assignee: **Grohe AG**, Hemer (DE)

(**) Term: **14 Years**

(21) Appl. No.: **29/399,090**

(22) Filed: **Aug. 9, 2011**

(30) **Foreign Application Priority Data**

Feb. 9, 2011 (EM) 001818550-0015

(51) **LOC (9) Cl.** **23-02**

(52) **U.S. Cl.** **D23/250**

(58) **Field of Classification Search** D23/238–242,
D23/250–252; 4/675–678; 137/801

See application file for complete search history.

(56) **References Cited**

U.S. PATENT DOCUMENTS

D387,137 S * 12/1997 Donahue et al. D23/252

D529,586 S * 10/2006 Kulig D23/242

D621,478 S * 8/2010 Kulig D23/242

D645,940 S * 9/2011 Ando et al. D23/241

D645,941 S * 9/2011 Ando et al. D23/242

* cited by examiner

Primary Examiner — Robert Delehanty

(74) *Attorney, Agent, or Firm* — Muncy, Geissler, Olds &
Lowe, PLLC

(57) **CLAIM**

The ornamental design for a handle, as shown and described.

DESCRIPTION

FIG. 1 is a left side elevational view of a handle according to the invention, the right side being identical thereto.

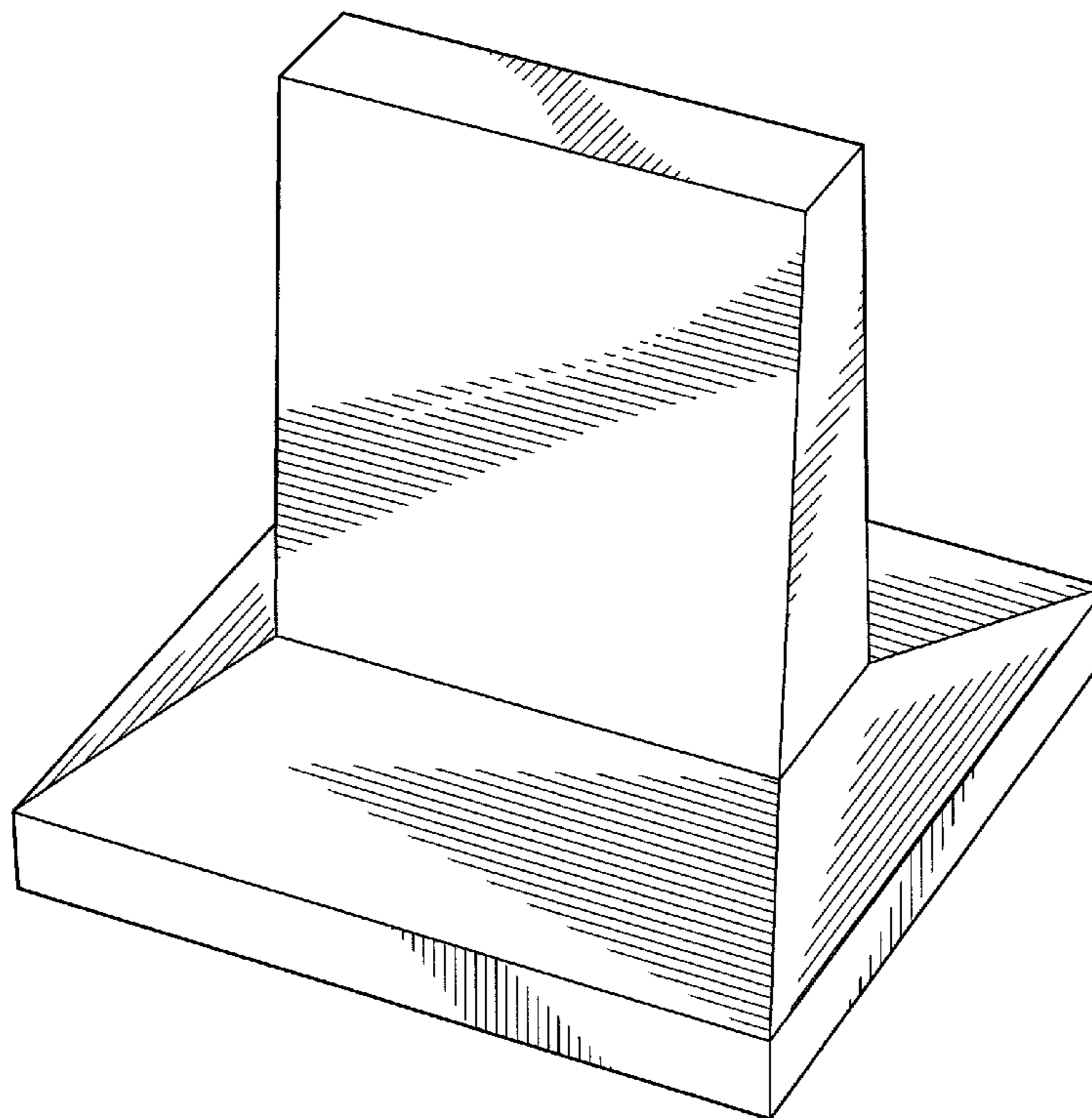
FIG. 2 is a front elevational view of the handle of FIG. 1, the rear being identical thereto.

FIG. 3 is a top plan view of the handle of FIG. 1.

FIG. 4 is a bottom plan view of the handle of FIG. 1; and, FIG. 5 is a perspective view of the handle of FIG. 1.

The dashed lines illustrate environment that does not form a part of the present invention, and no claim is made to the material illustrated with dashed lines.

1 Claim, 5 Drawing Sheets



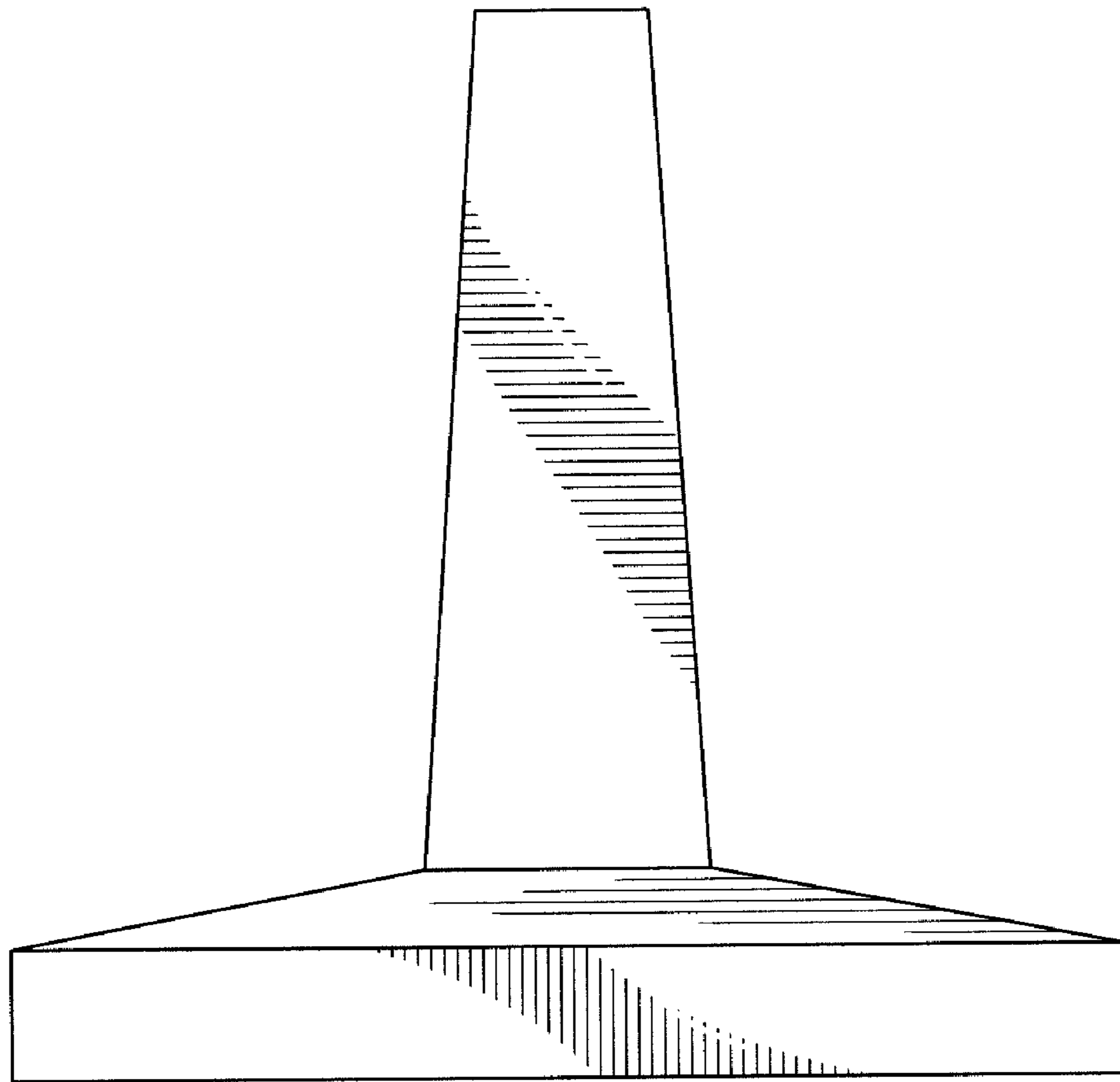


FIG. 1

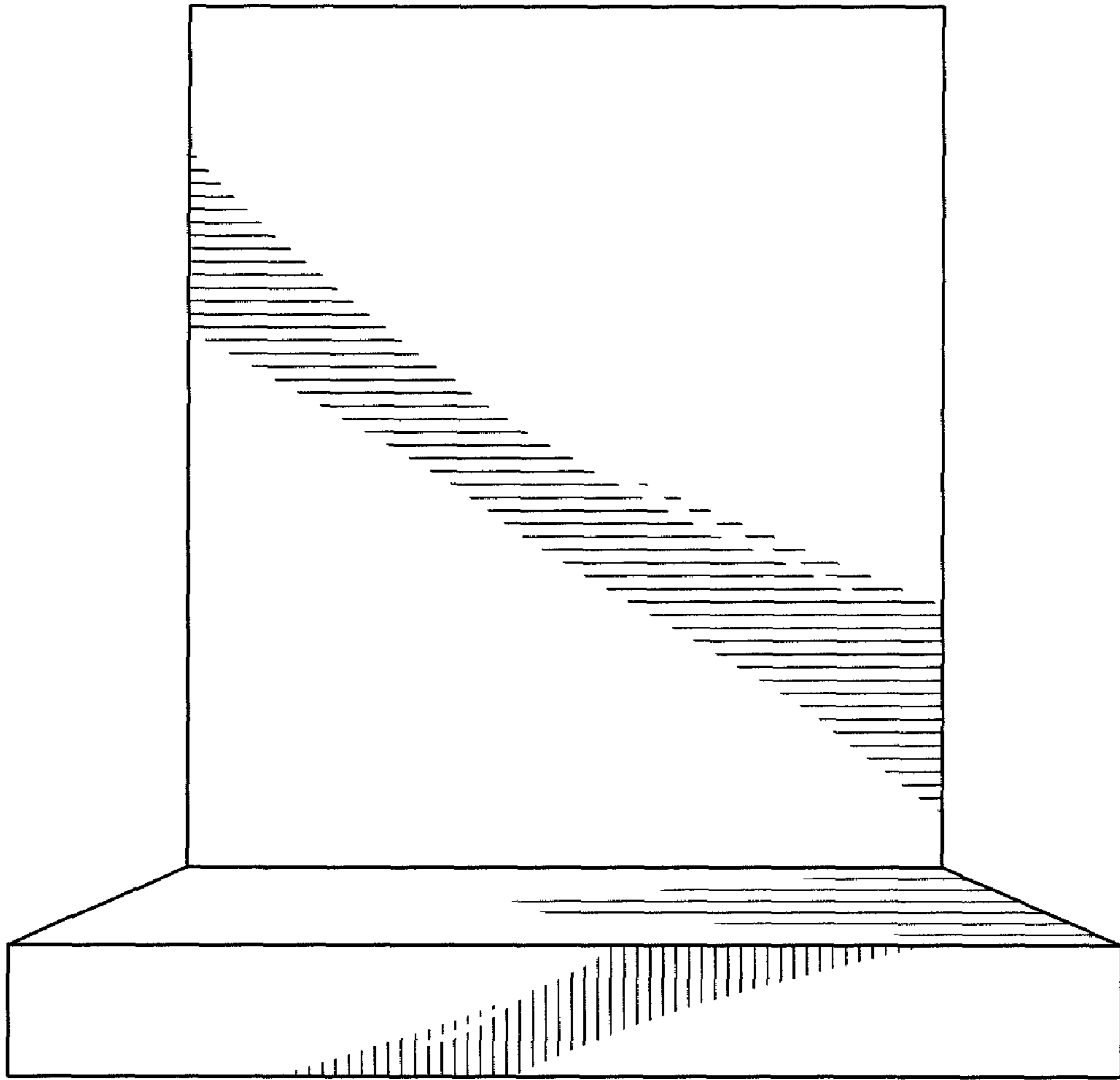


FIG. 2

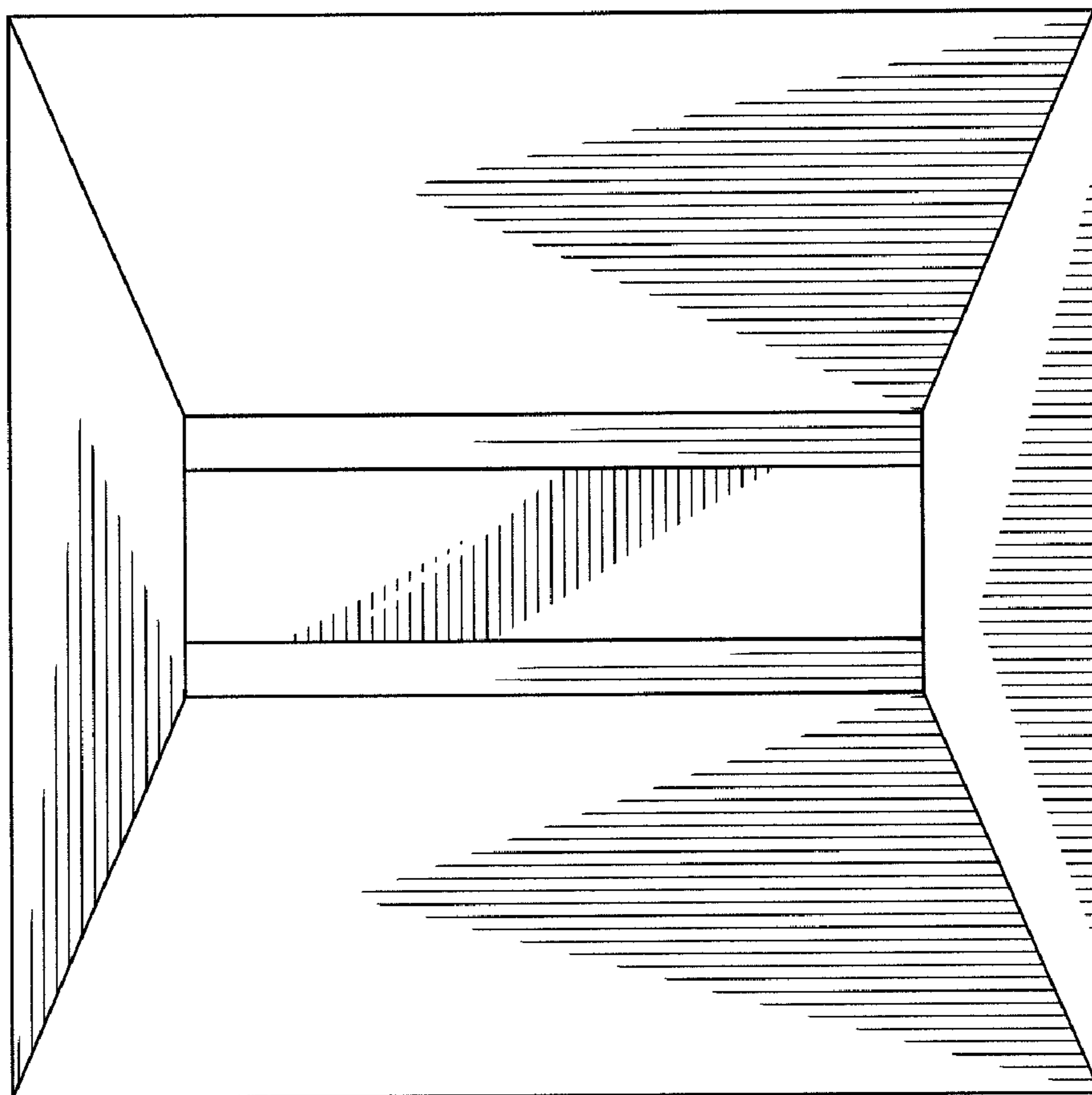


FIG. 3

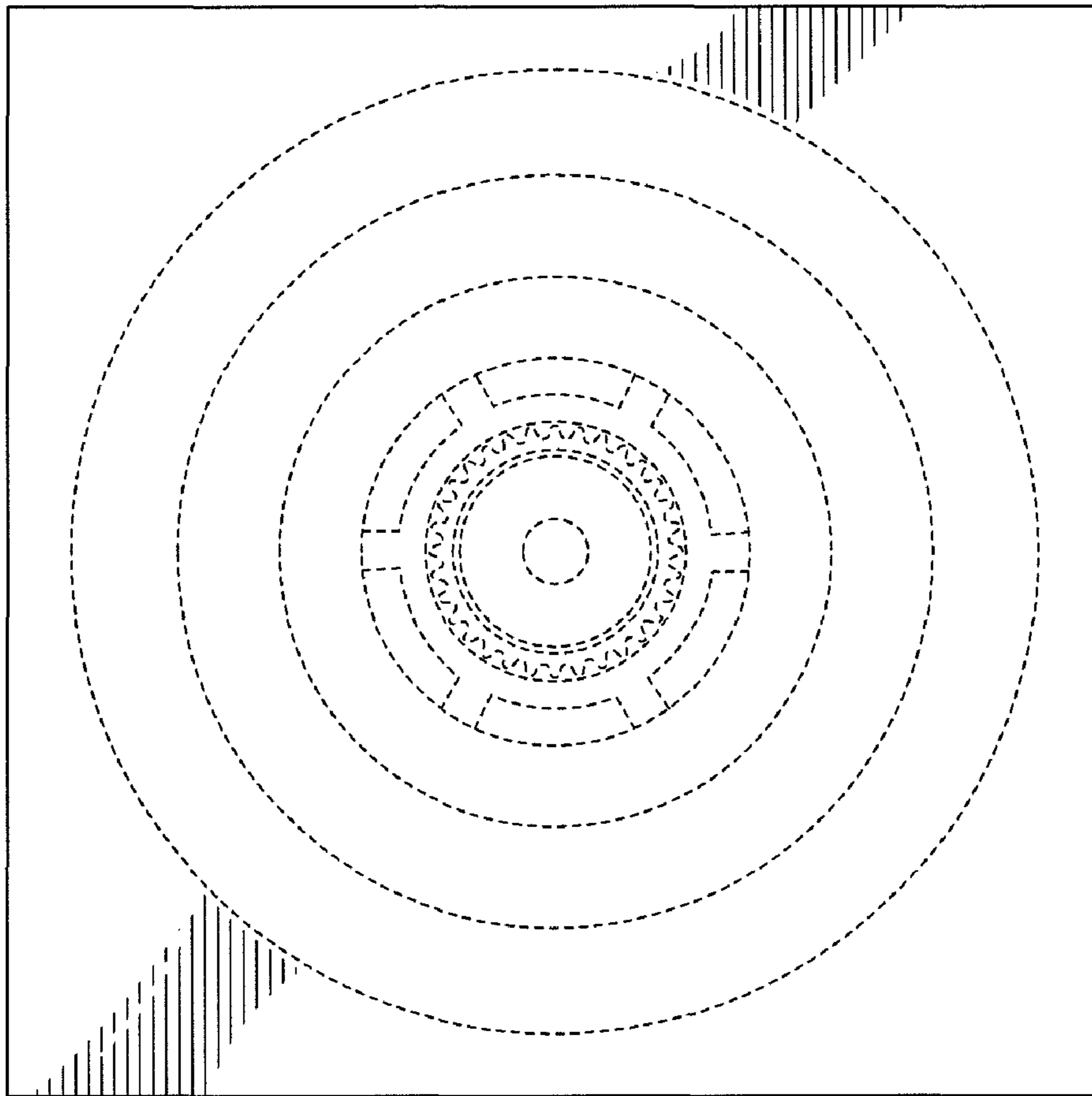


FIG. 4

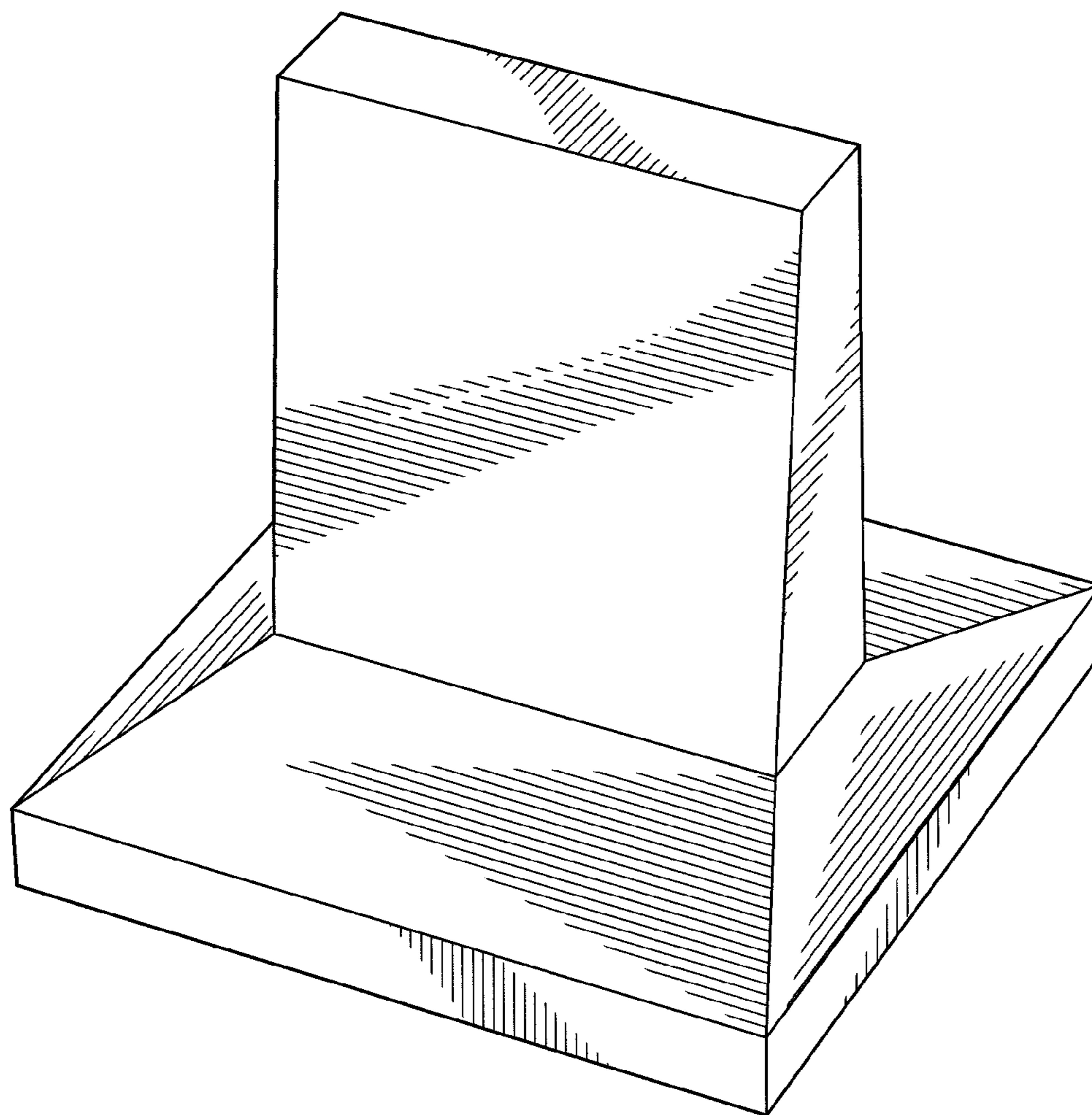


FIG. 5