

US00D665873S

(12) **United States Design Patent**
Wilson

(10) **Patent No.:** **US D665,873 S**

(45) **Date of Patent:** **** Aug. 21, 2012**

(54) **SHOWER ASSEMBLY**

(75) Inventor: **John M. Wilson**, Sheboygan, WI (US)

(73) Assignee: **Kohler Co.**, Kohler, WI (US)

(**) Term: **14 Years**

(21) Appl. No.: **29/381,835**

(22) Filed: **Dec. 23, 2010**

(51) **LOC (9) Cl.** **23-01**

(52) **U.S. Cl.** **D23/228; D23/304**

(58) **Field of Classification Search** D23/213,
D23/214, 228-230, 304; 239/280; 4/567,
4/552, 596, 597, 601, 605, 615, 900

See application file for complete search history.

(56) **References Cited**

U.S. PATENT DOCUMENTS

1,847,917	A	3/1932	Binns	
4,523,604	A	6/1985	Hutto	
4,739,596	A	4/1988	Cunningham et al.	
4,997,007	A	3/1991	Niemann et al.	
5,339,469	A	8/1994	Gilles	
5,353,448	A	10/1994	Lee	
5,678,258	A	10/1997	Healy	
6,192,529	B1	2/2001	Jones et al.	
D454,620	S *	3/2002	Starck	D23/228
6,378,912	B1	4/2002	Condon et al.	
D477,657	S *	7/2003	Toyohara	D23/304
6,726,161	B2	4/2004	Plump et al.	
D500,121	S *	12/2004	Blomstrom	D23/213
6,859,955	B2	3/2005	Hudson	
D514,197	S *	1/2006	Gilbert	D23/229
D545,419	S	6/2007	Nikles et al.	
D552,722	S	10/2007	Nikles et al.	
D559,949	S *	1/2008	Bickler et al.	D23/228
D562,950	S	2/2008	Nikles et al.	
D562,951	S	2/2008	Nikles et al.	
D564,625	S *	3/2008	Bickler et al.	D23/228
D567,904	S *	4/2008	Schonherr et al.	D23/228
D575,846	S *	8/2008	Lobermeier et al.	D23/228
7,406,984	B2	8/2008	Nikles et al.	
7,458,112	B1	12/2008	Yang	
7,578,453	B1	8/2009	Wilson	
D606,627	S *	12/2009	Urquiola	D23/228
D612,453	S *	3/2010	Schoenherr et al.	D23/228

D616,066	S *	5/2010	Cummings et al.	D23/228
7,766,291	B2	8/2010	Eilmus et al.	
D629,867	S *	12/2010	Rexach et al.	D23/213
7,857,241	B2 *	12/2010	Deng	239/444
D638,100	S *	5/2011	Juan	D23/213
D638,520	S *	5/2011	Matsuura et al.	D23/228
2003/0226200	A1	12/2003	Charonis	
2005/0116062	A1	6/2005	Yang	
2005/0127211	A1	6/2005	Yeiser	
2009/0000022	A1	1/2009	Phipps et al.	
2009/0202293	A1	8/2009	Kajuch et al.	
2010/0058532	A1	3/2010	Tsai et al.	
2010/0163652	A1	7/2010	Kajuch et al.	

FOREIGN PATENT DOCUMENTS

EM	000408349-0001	9/2005
EM	000408349-0002	9/2005
EM	000408349-0003	9/2005
EM	000408349-0004	9/2005
EM	000408349-0005	9/2005
EM	000408349-0006	9/2005
EM	000408349-0007	9/2005
EM	000408349-0008	9/2005
EP	0076717	4/1983
EP	1892339	2/2008

OTHER PUBLICATIONS

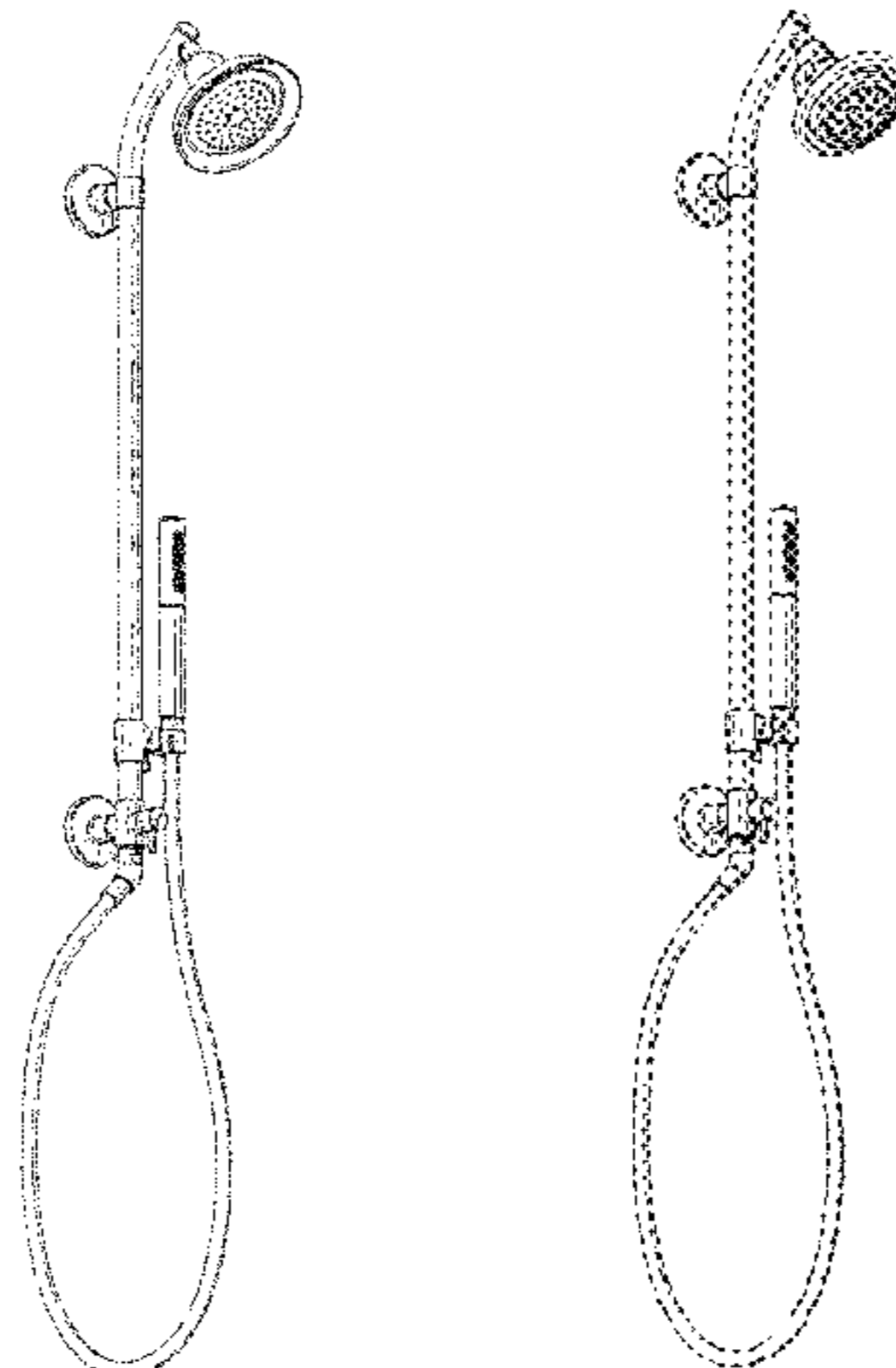
Raindance Connect Product Data Sheet, Hansgrohe USA, Known at least as early as Nov. 8, 2010, Retrieved from Internet on Mar. 21, 2012 <URL: http://www.hansgrohe-usa.com/pdf/datasheet.pdf?model=27164USA&category=C0000000000109&lang=en_US>.

Raindance Allrounder Air Product Data Sheet, Hansgrohe USA, Known at least as early as Nov. 8, 2010, Retrieved from Internet on Mar. 21, 2012 <URL: http://www.hansgrohe-usa.com/pdf/datasheet.pdf?model=28110USA&category=C0000000000081&lang=en_US>.

Raindance S Wallbar Product Data Sheet, Hansgrohe USA, Known at least as early as Nov. 8, 2010, Retrieved from Internet on Mar. 21, 2012 <URL: http://www.hansgrohe-usa.com/pdf/datasheet.pdf?model=27876USA&category=C0000000000081&lang=en_US>.

Freehander Spec Sheet, Grohe, Known at least as early as Nov. 8, 2010, Retrieved from Internet on Mar. 21, 2012 <URL: http://www.groheamerica.com/htlib/0/catalogue_appendage/us_specification/27007-freehander.pdf>.

Euphoria Shower System Spec Sheet, Grohe, Known at least as early as Nov. 8, 2010, Retrieved from Internet on Mar. 21, 2012 <URL: http://www.groheamerica.com/htlib/0/catalogue_appendage/us_specification/27421-euphoria.pdf>.



Rainshower Shower System Spec Sheet, Grohe, Known at least as early as Nov. 8, 2010, Retrieved from Internet on Mar. 21, 2012 <URL: http://www.groheamerica.com/html/0/catalogue_appendage/us_specification/27031-rainshower.pdf>.

Kauai II, Pulse Shower Spas, Known at least as early as Nov. 8, 2010, Retrieved from Internet on Mar. 15, 2012 <URL: http://pulseshower spas.com/pulseshower spas_kauai.htm>.

* cited by examiner

Primary Examiner — Robin V Webster

(74) *Attorney, Agent, or Firm* — Michael Best & Friedrich LLP

(57) **CLAIM**

I claim the ornamental design for a shower assembly, as shown and described.

DESCRIPTION

FIG. 1 is a perspective view of a shower assembly including, for example, a standard-type shower head.

FIG. 2 is a front view of the shower assembly shown in FIG. 1.

FIG. 3 is a rear view of the shower assembly shown in FIG. 1.

FIG. 4 is a right side view of the shower assembly shown in FIG. 1.

FIG. 5 is a left side view of the shower assembly shown in FIG. 1.

FIG. 6 is a top view of the shower assembly shown in FIG. 1.

FIG. 7 is a bottom view of the shower assembly shown in FIG. 1.

FIG. 8 is a perspective view of a further alternative construction of a shower assembly including, for example, a standard-type shower head.

FIG. 9 is a front view of the shower assembly shown in FIG. 8.

FIG. 10 is a rear view of the shower assembly shown in FIG. 8.

FIG. 11 is a right side view of the shower assembly shown in FIG. 8.

FIG. 12 is a left side view of the shower assembly shown in FIG. 8.

FIG. 13 is a top view of the shower assembly shown in FIG. 8.

FIG. 14 is a bottom view of the shower assembly shown in FIG. 8.

FIG. 15 is a perspective view of another alternative construction of a shower assembly including, for example, a flip-type shower head.

FIG. 16 is a front view of the shower assembly shown in FIG. 15.

FIG. 17 is a rear view of the shower assembly shown in FIG. 15.

FIG. 18 is a right side view of the shower assembly shown in FIG. 15.

FIG. 19 is a left side view of the shower assembly shown in FIG. 15.

FIG. 20 is a top view of the shower assembly shown in FIG. 15.

FIG. 21 is a bottom view of the shower assembly shown in FIG. 15.

FIG. 22 is a perspective view of yet another alternative construction of a shower assembly including, for example, a standard-type shower head.

FIG. 23 is a front view of the shower assembly shown in FIG. 22.

FIG. 24 is a rear view of the shower assembly shown in FIG. 22.

FIG. 25 is a right side view of the shower assembly shown in FIG. 22.

FIG. 26 is a left side view of the shower assembly shown in FIG. 22.

FIG. 27 is a top view of the shower assembly shown in FIG. 22.

FIG. 28 is a bottom view of the shower assembly shown in FIG. 22.

FIG. 29 is a perspective view of a further alternative construction of a shower assembly including, for example, a standard-type shower head.

FIG. 30 is a front view of the shower assembly shown in FIG. 29.

FIG. 31 is a rear view of the shower assembly shown in FIG. 29.

FIG. 32 is a right side view of the shower assembly shown in FIG. 29.

FIG. 33 is a left side view of the shower assembly shown in FIG. 29.

FIG. 34 is a top view of the shower assembly shown in FIG. 29.

FIG. 35 is a bottom view of the shower assembly shown in FIG. 29.

FIG. 36 is a perspective view of a portion of the shower assembly shown in FIGS. 1-35.

FIG. 37 is a front view of the portion of the shower assembly shown in FIG. 36.

FIG. 38 is a rear view of the portion of the shower assembly shown in FIG. 36.

FIG. 39 is a right side view of the portion of the shower assembly shown in FIG. 36.

FIG. 40 is a left side view of the portion of the shower assembly shown in FIG. 36.

FIG. 41 is a top view of the portion of the shower assembly shown in FIG. 36; and,

FIG. 42 is a bottom view of the portion of the shower assembly shown in FIG. 36.

The present application is directed to the shape and contour of the designs illustrated in the drawings. The broken line showing of the environment is for illustrative purposes only and forms no part of the claimed designs. The broken lines which define the boundaries of the claimed designs form no part thereof.

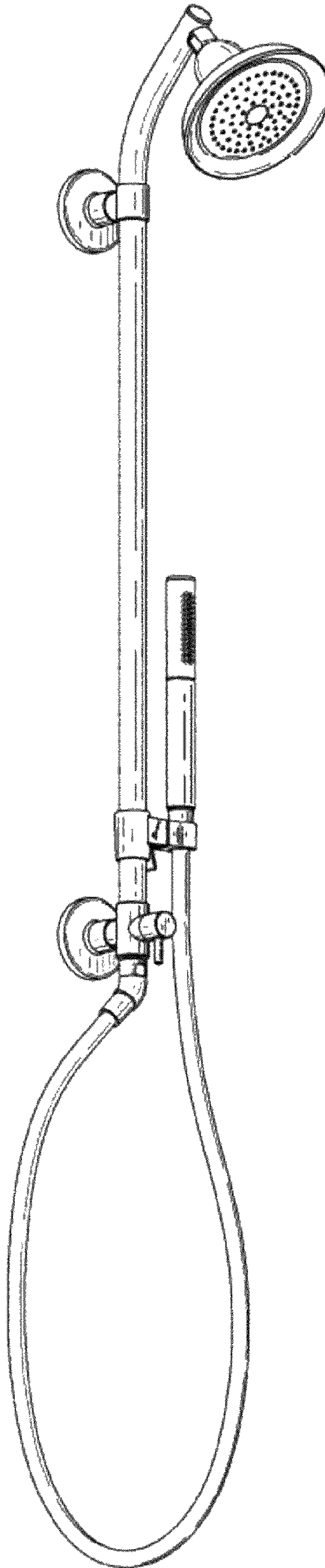


FIG. 1

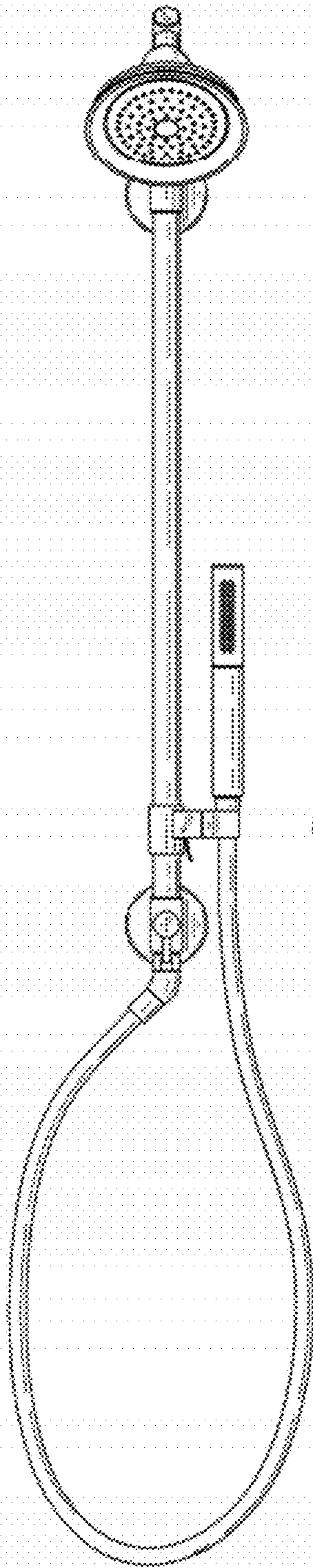


FIG. 2

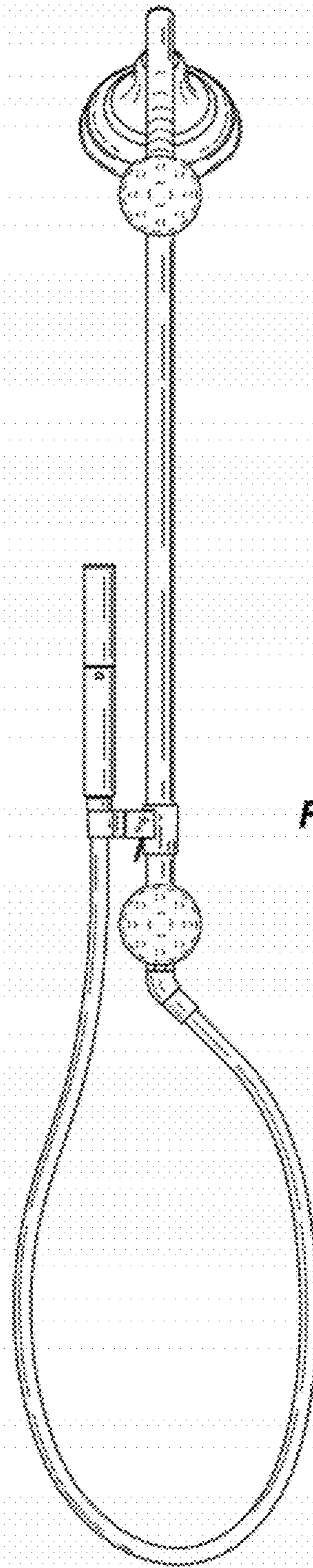


FIG. 3

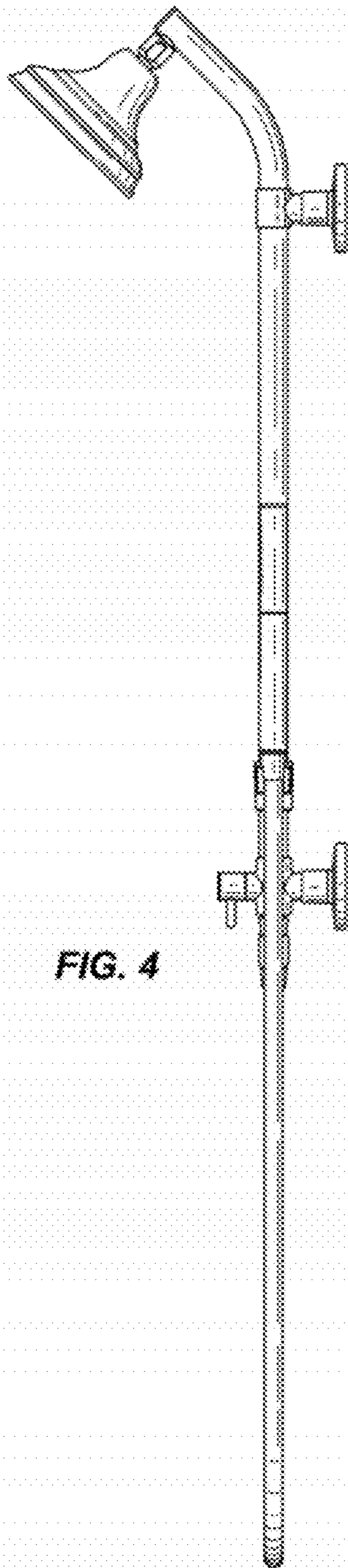


FIG. 4

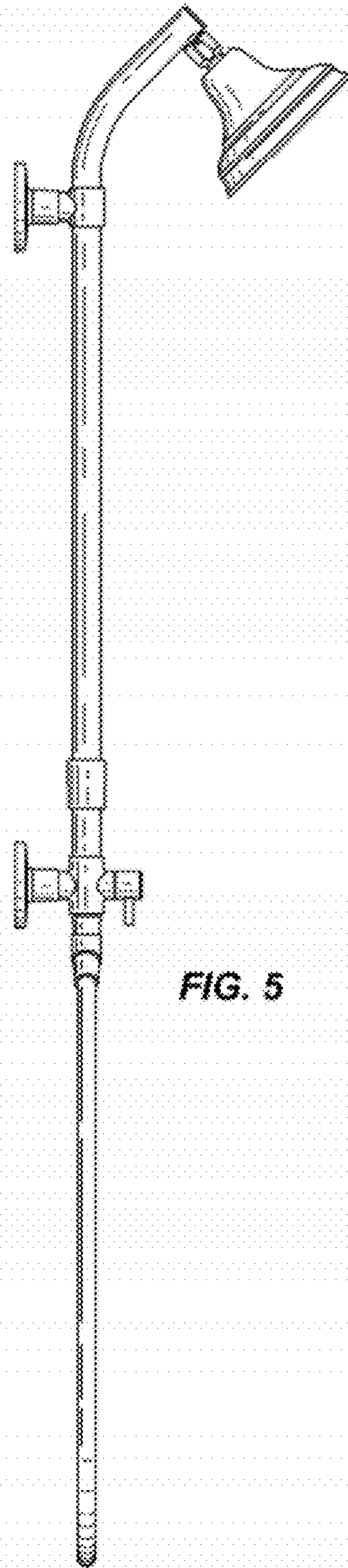


FIG. 5

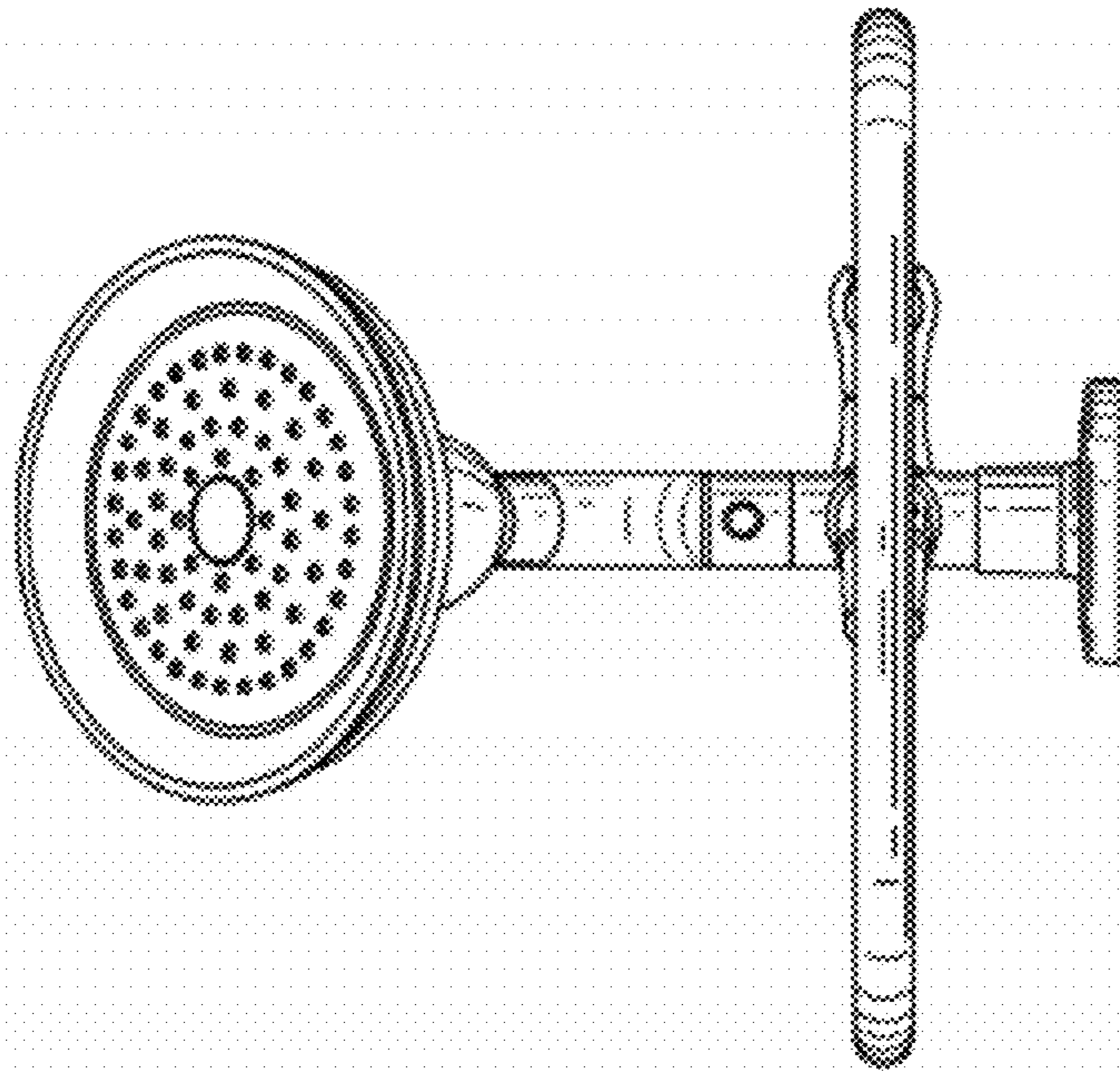


FIG. 7

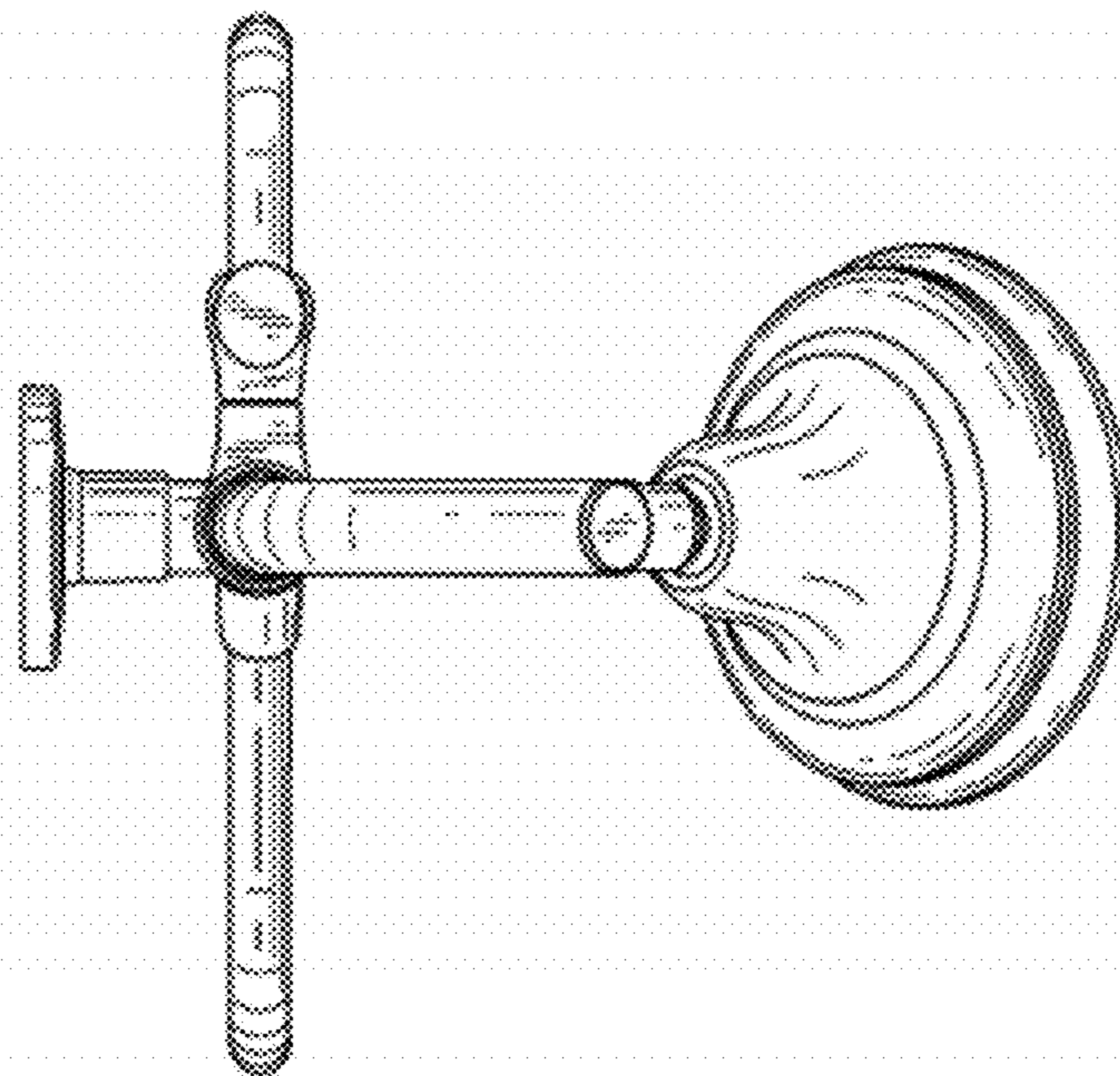
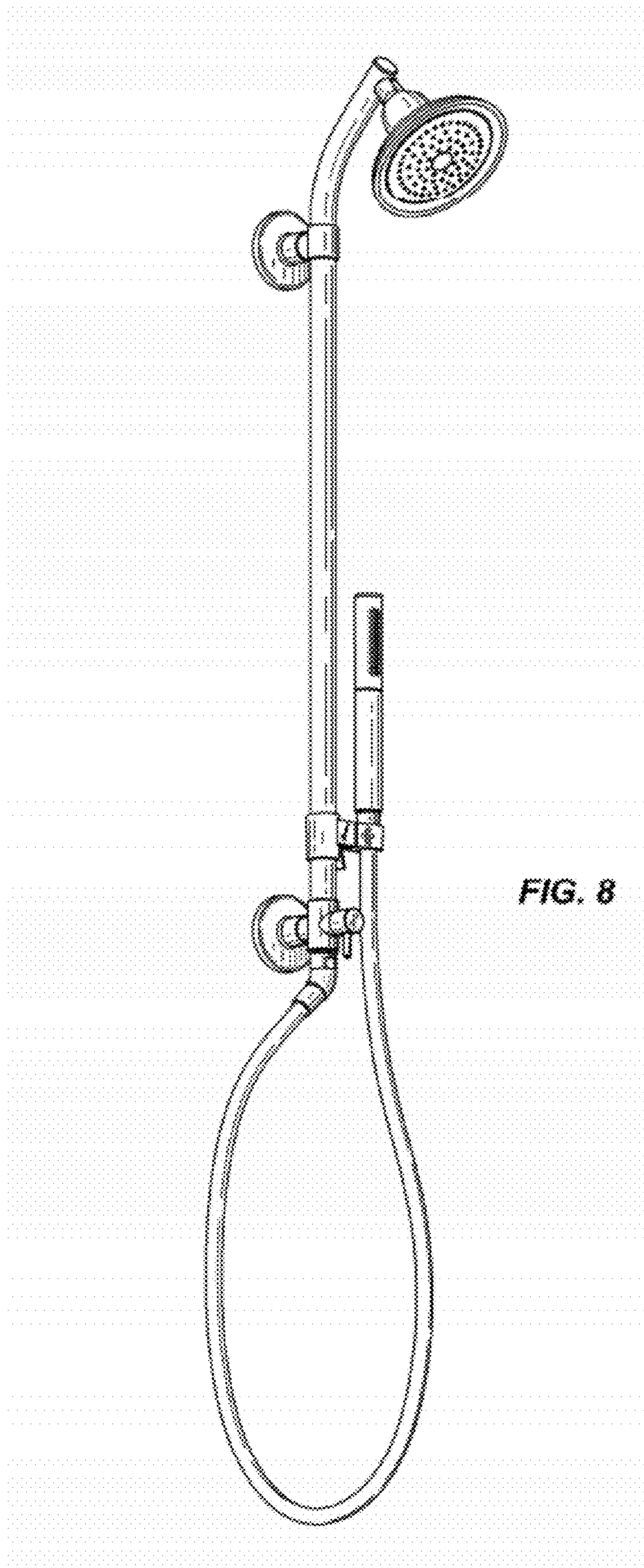


FIG. 6



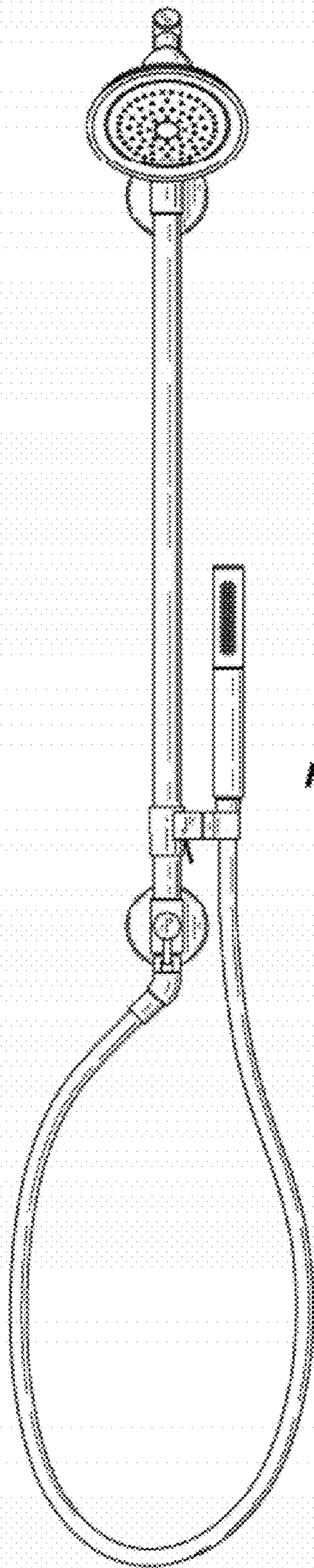


FIG. 9

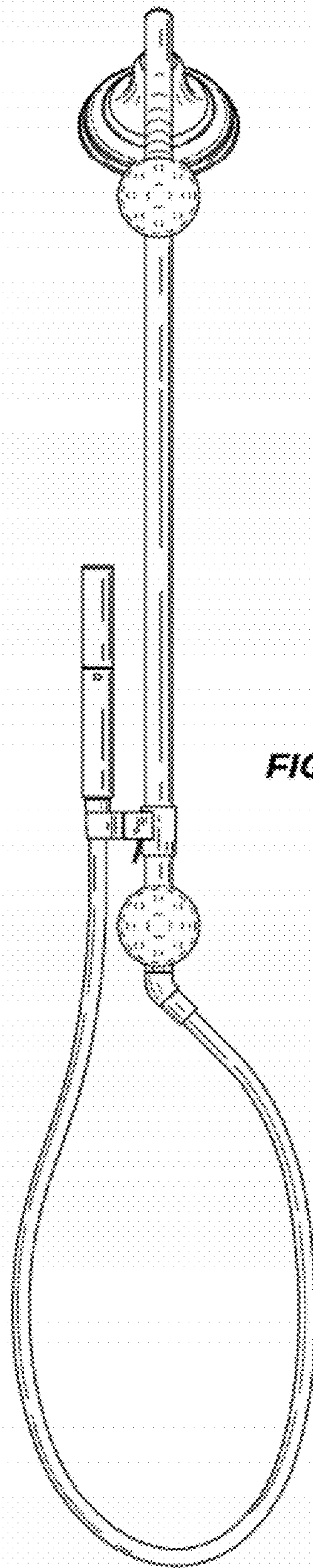


FIG. 10

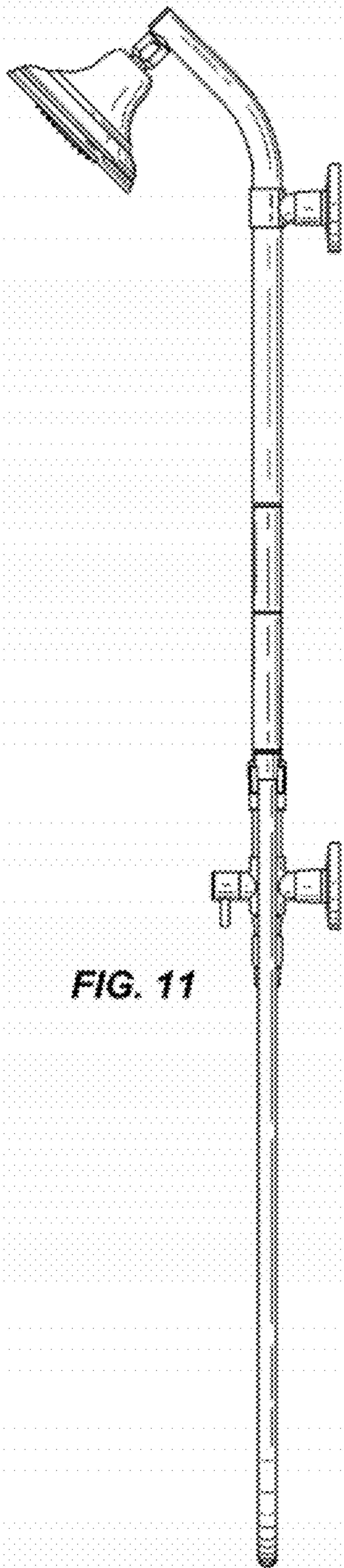


FIG. 11

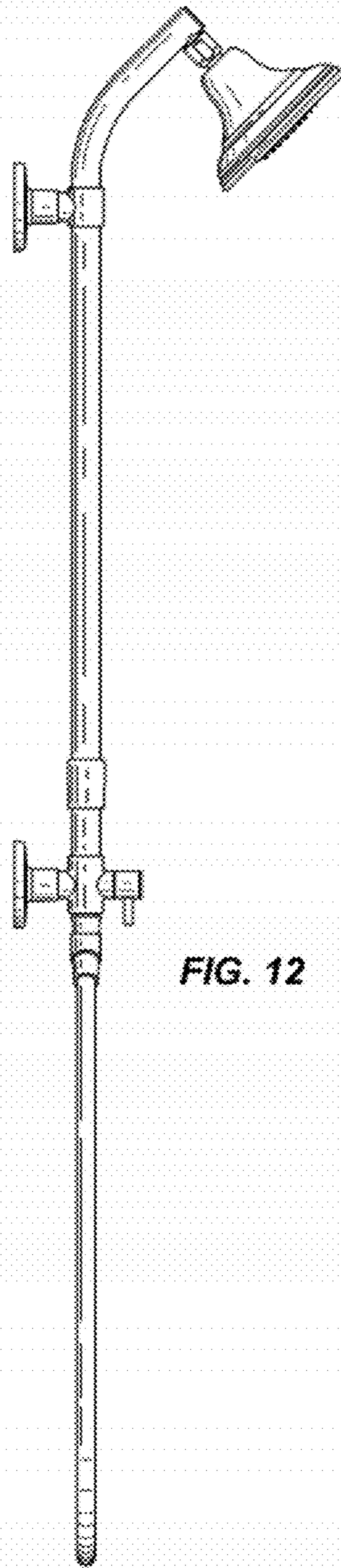


FIG. 12

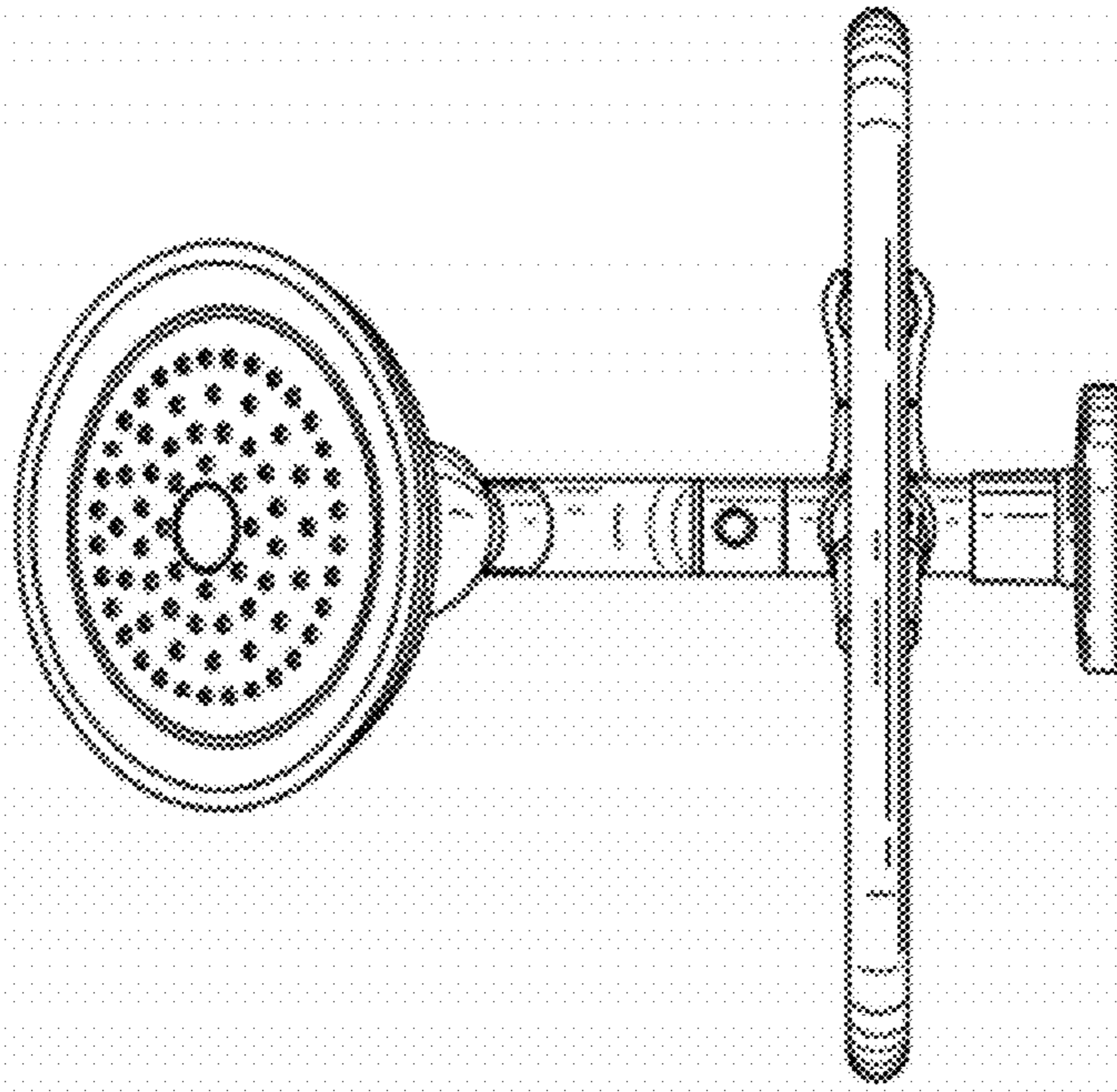


FIG. 14

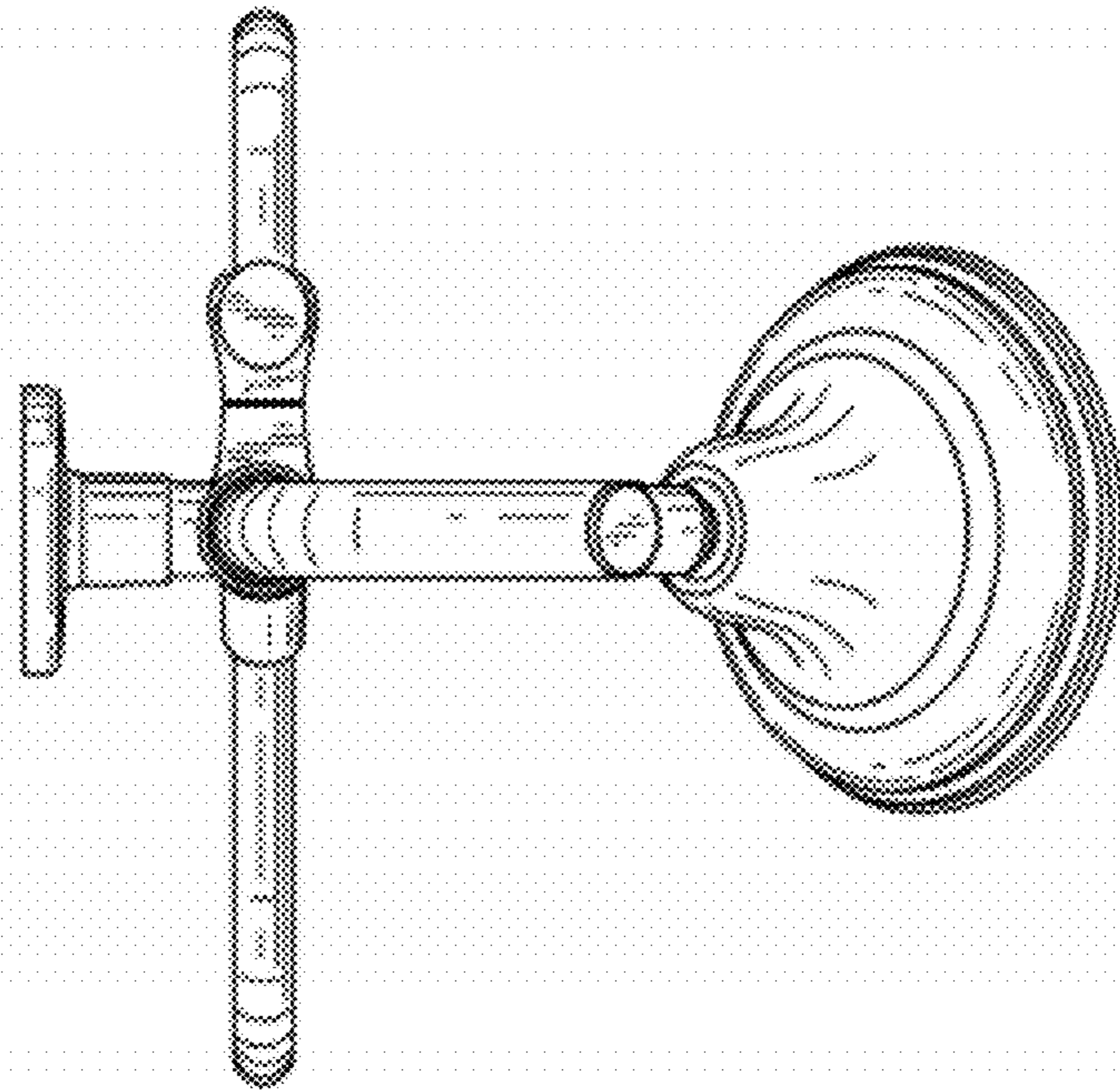


FIG. 13

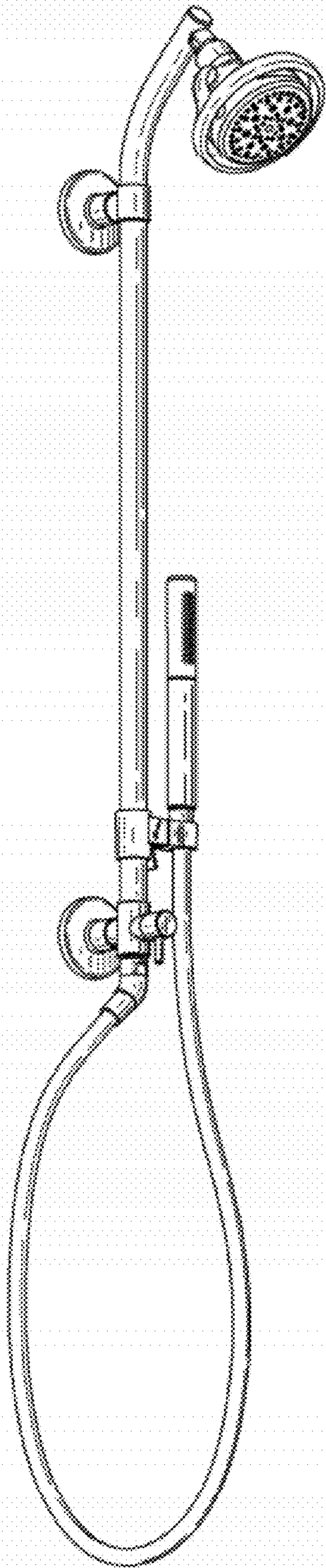
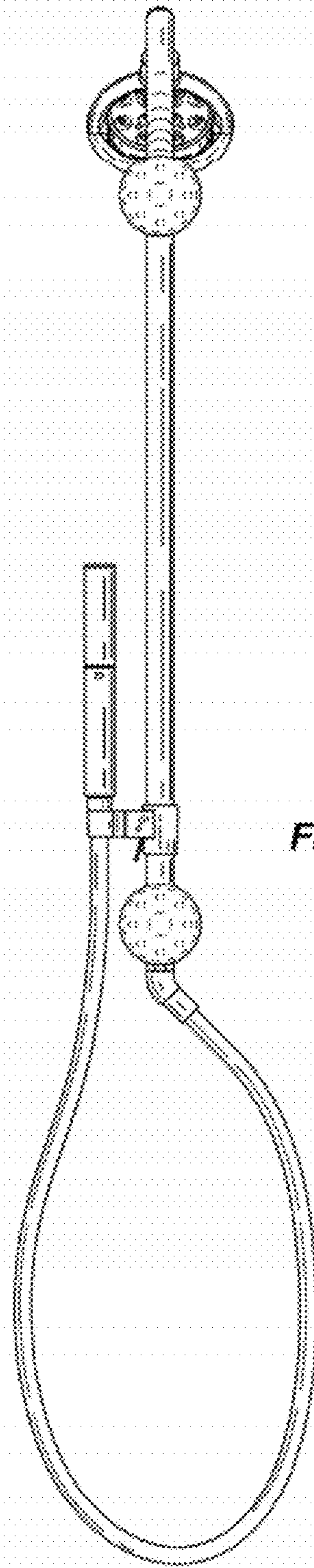
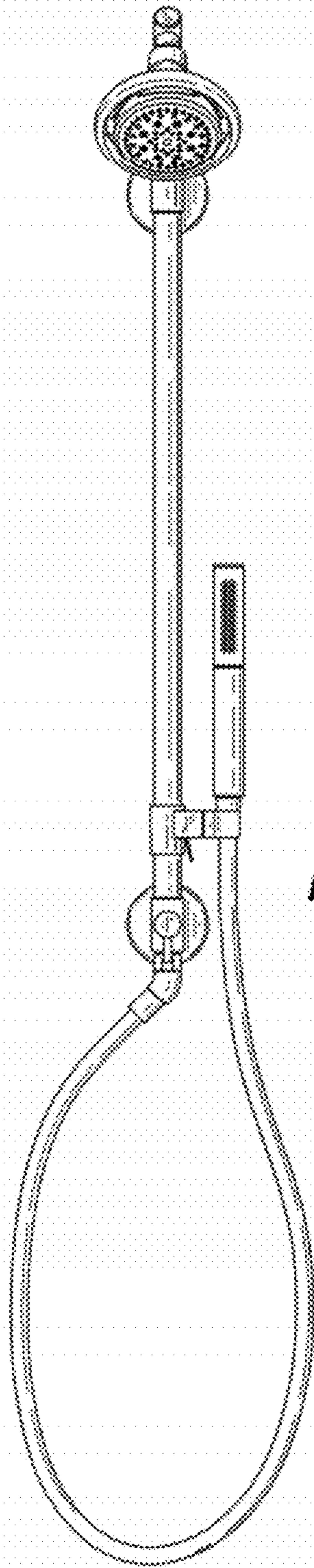


FIG. 15



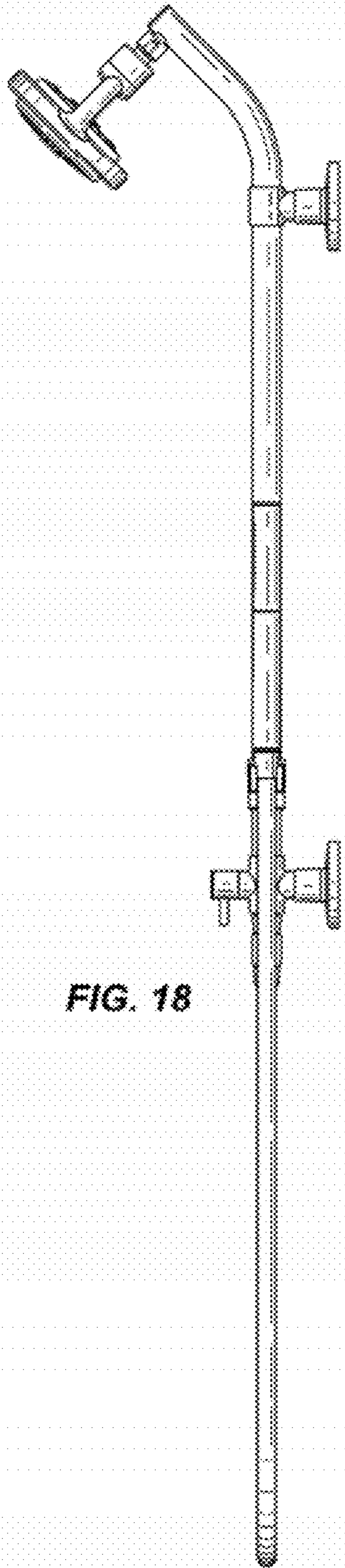


FIG. 18

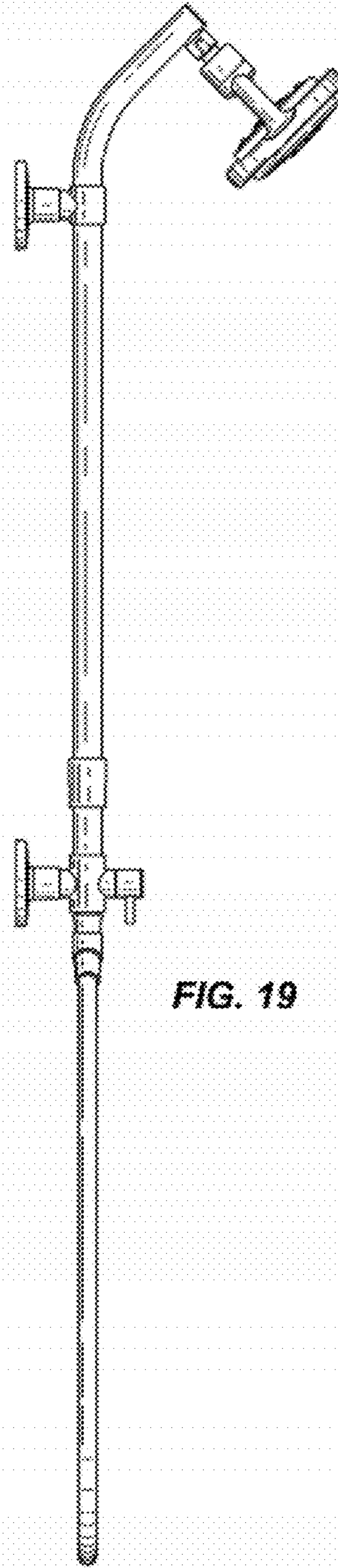


FIG. 19

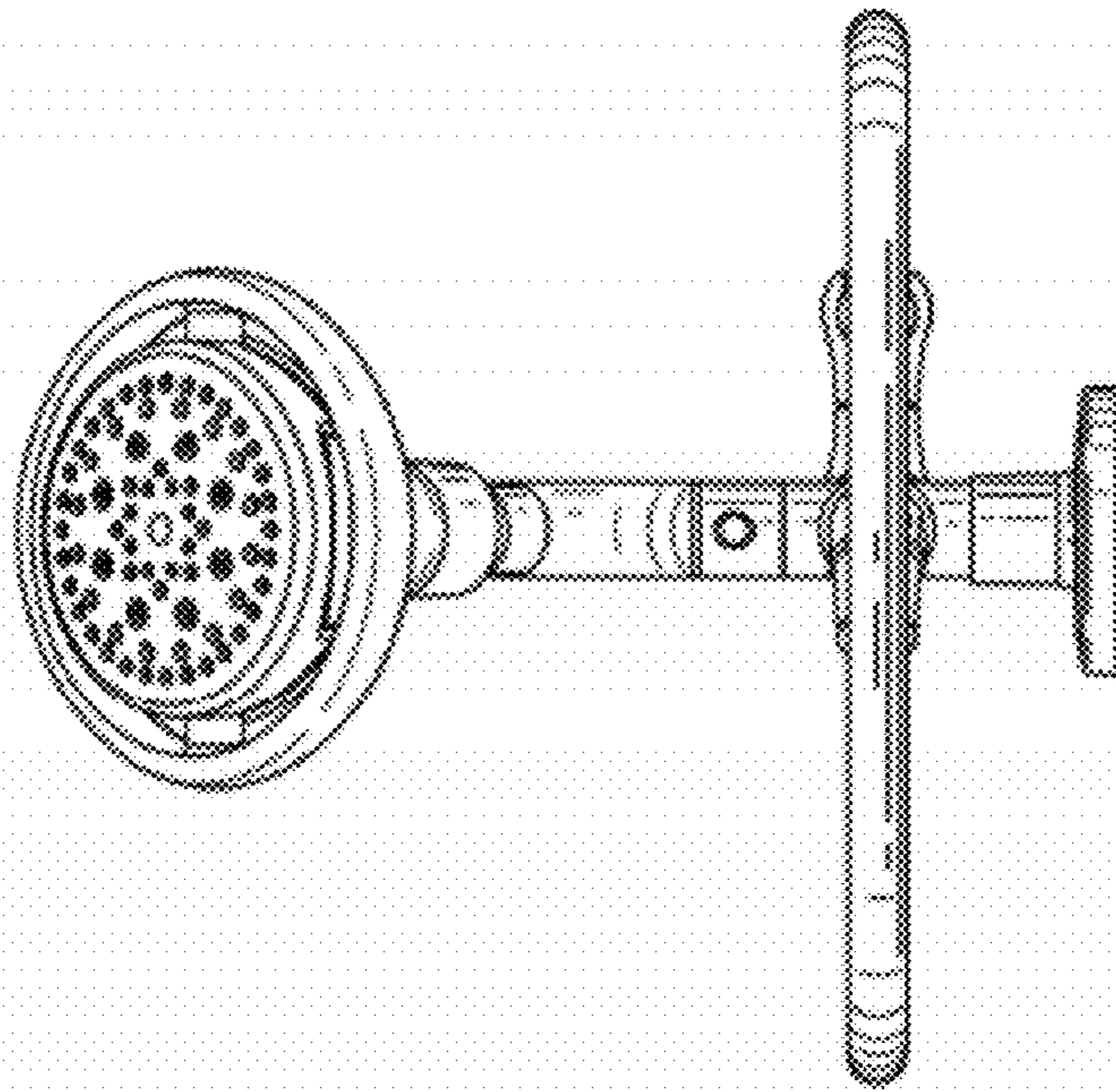


FIG. 21

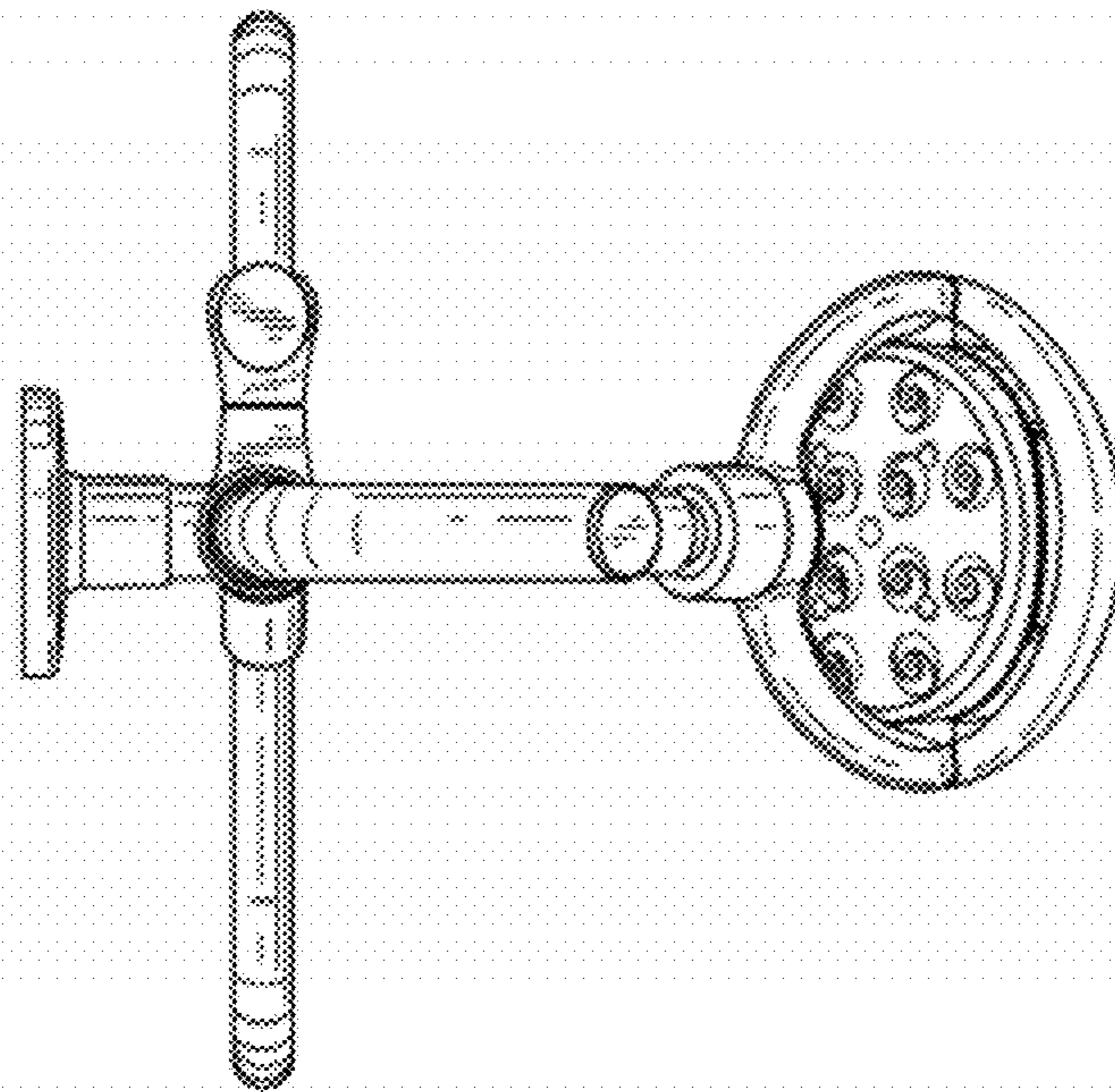


FIG. 20

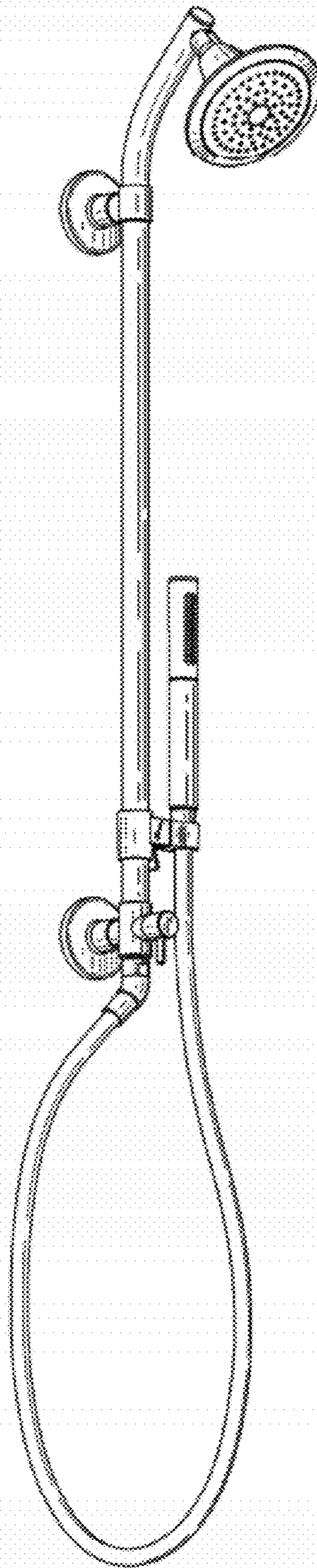


FIG. 22

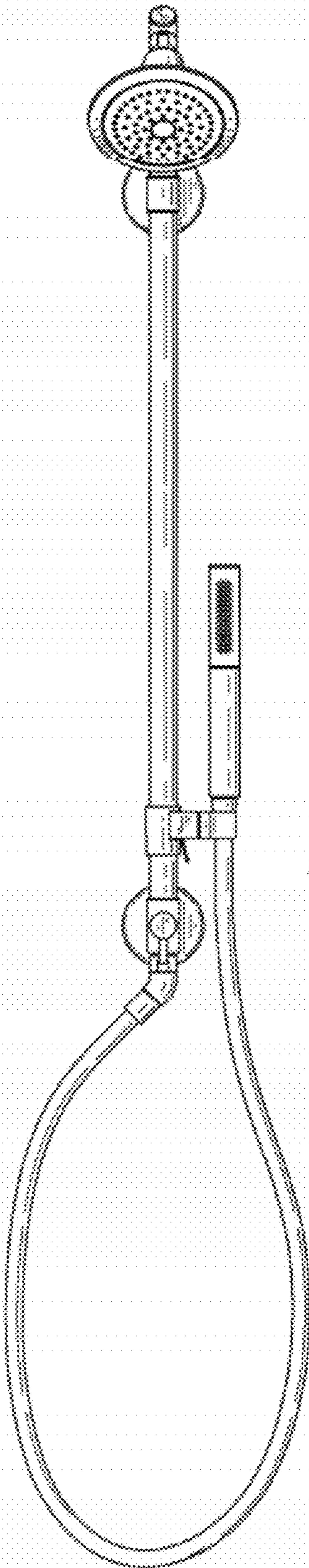


FIG. 23

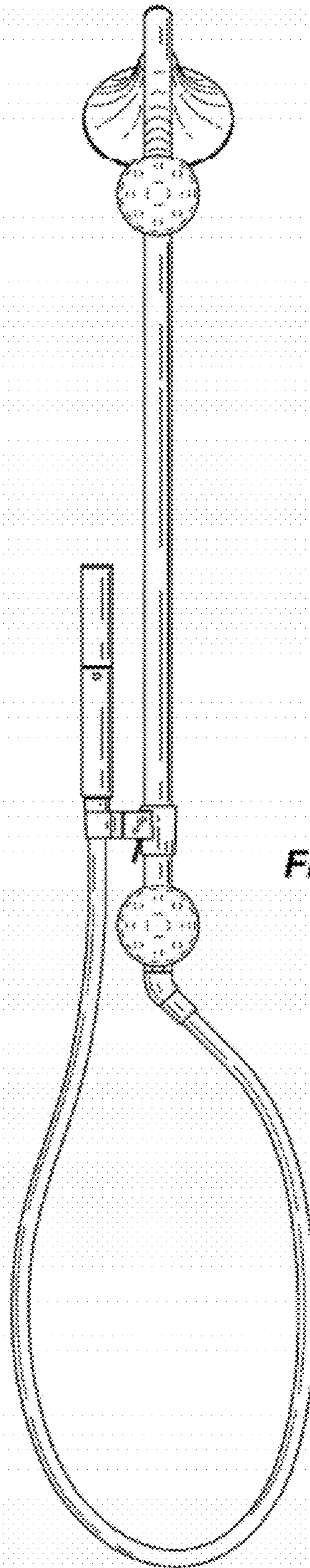


FIG. 24

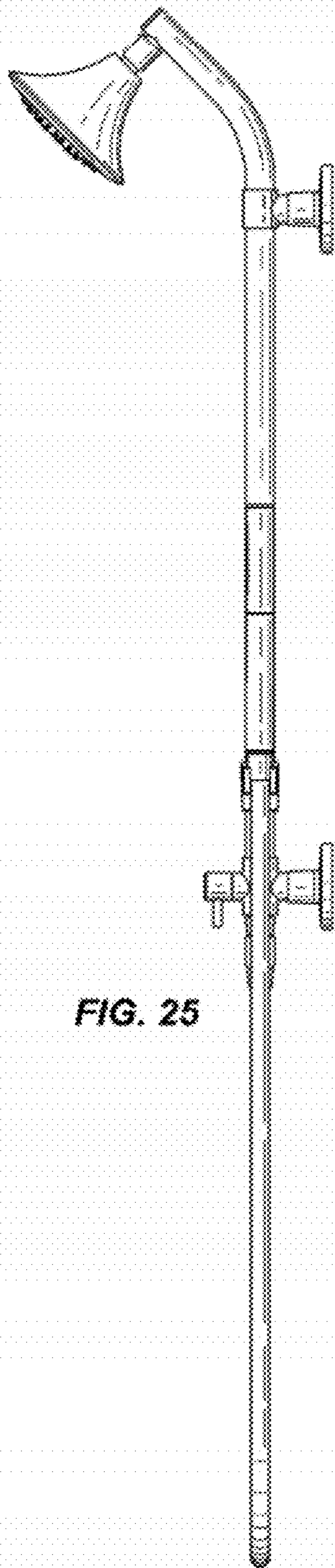


FIG. 25

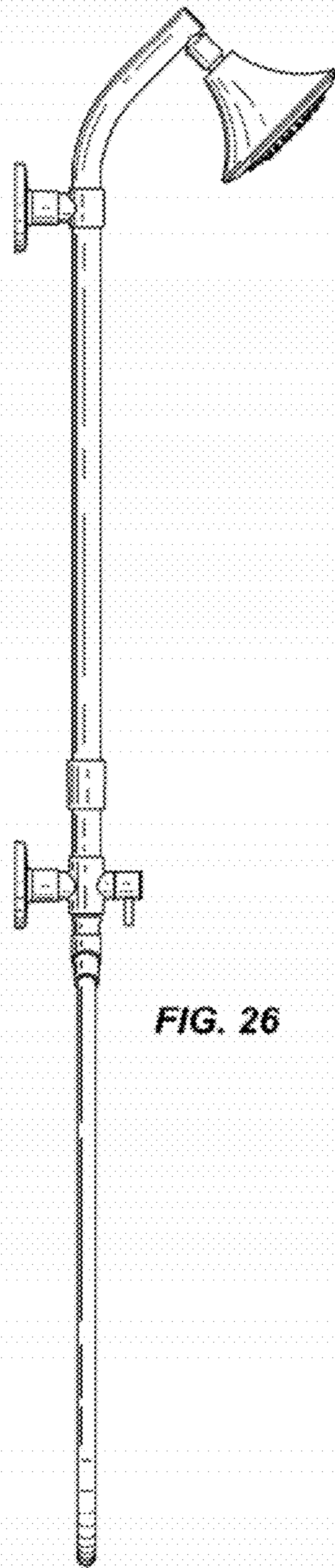


FIG. 26

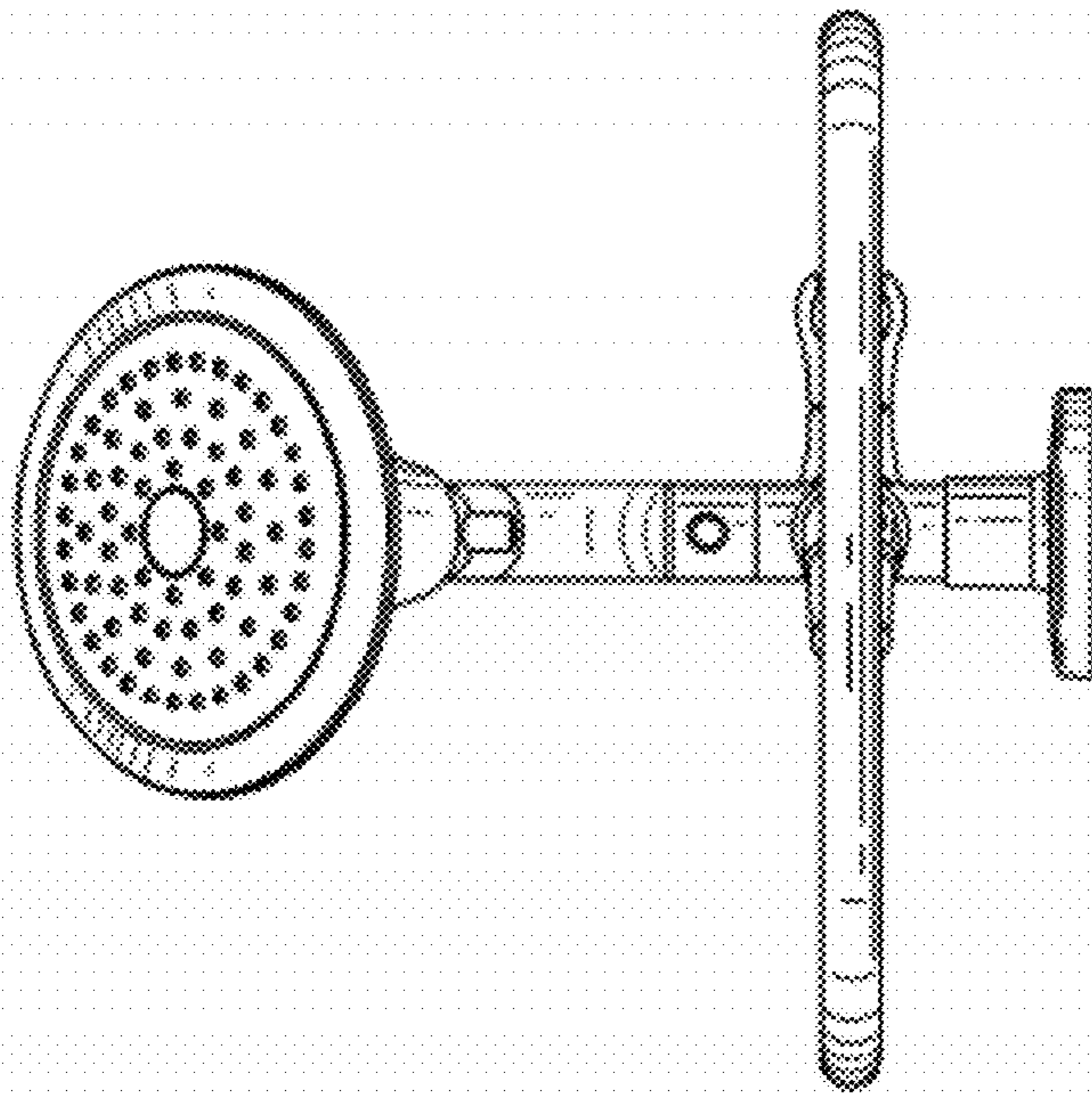


FIG. 28

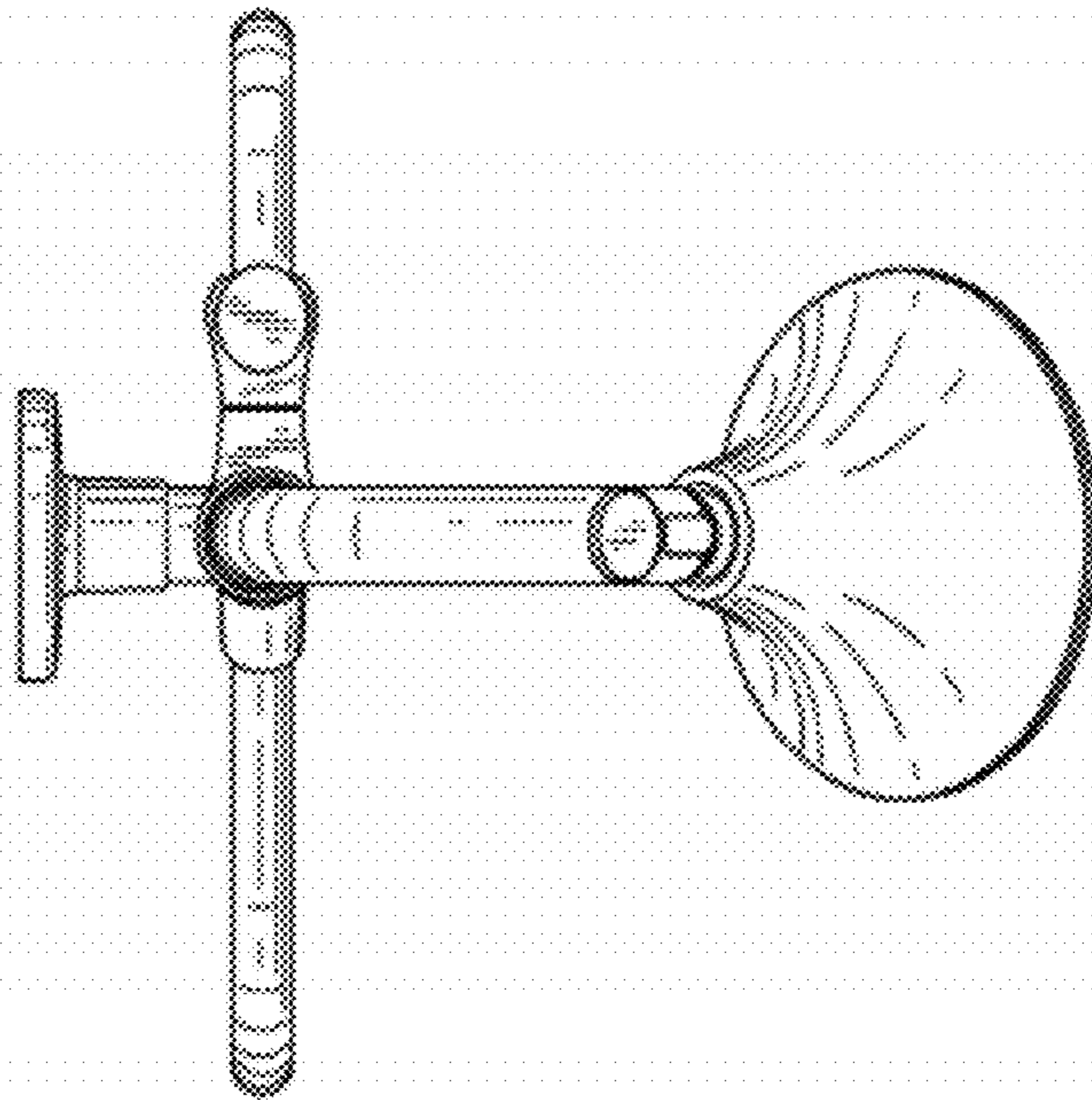


FIG. 27

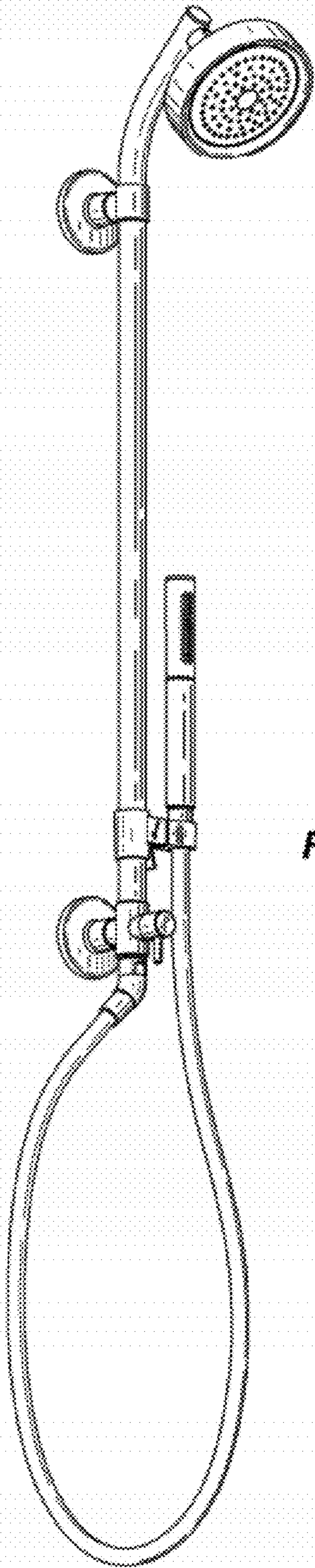


FIG. 29

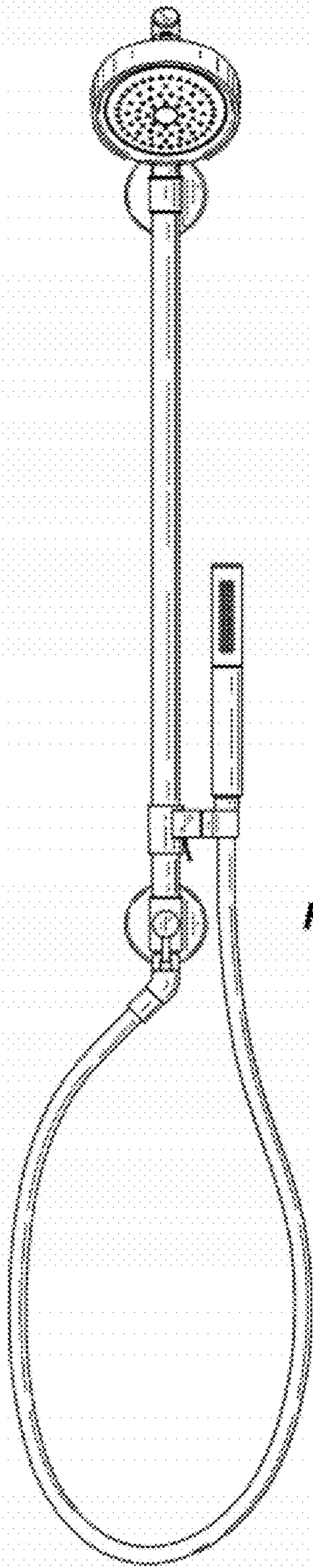


FIG. 30

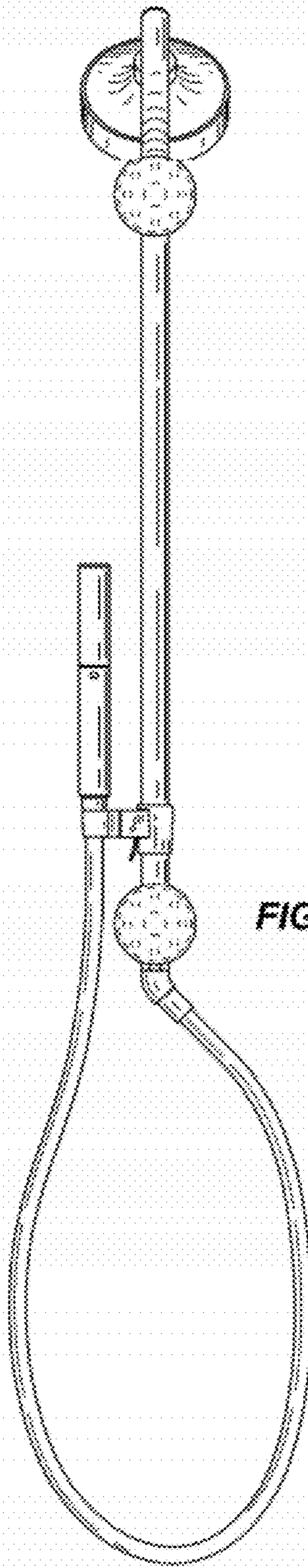


FIG. 31

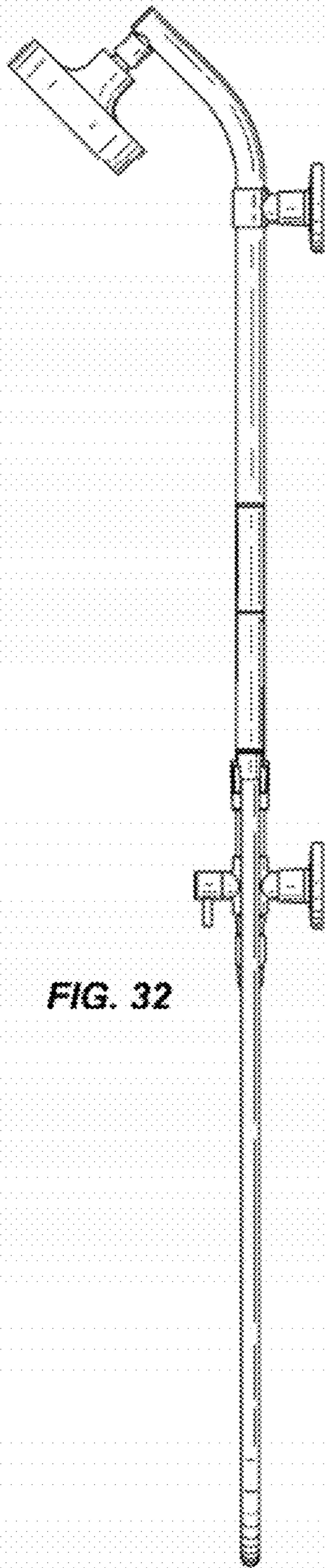


FIG. 32

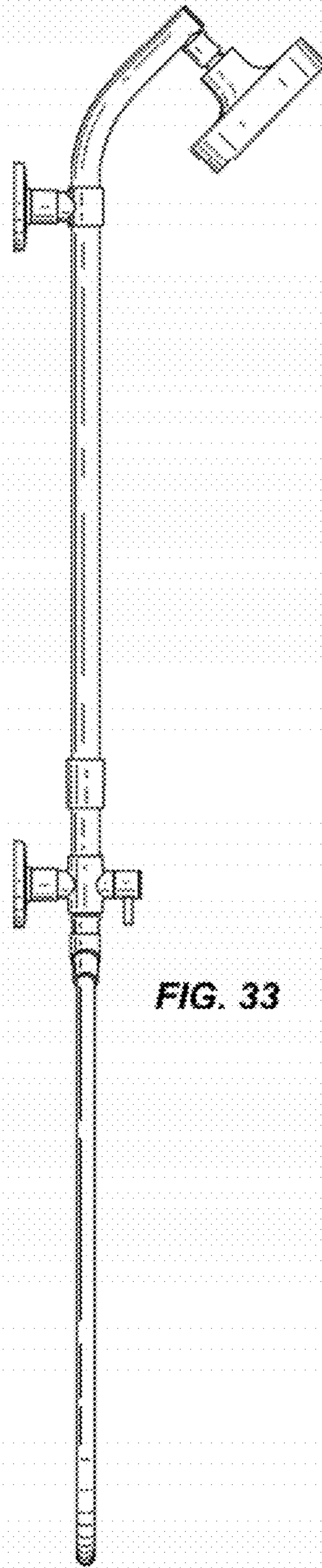


FIG. 33

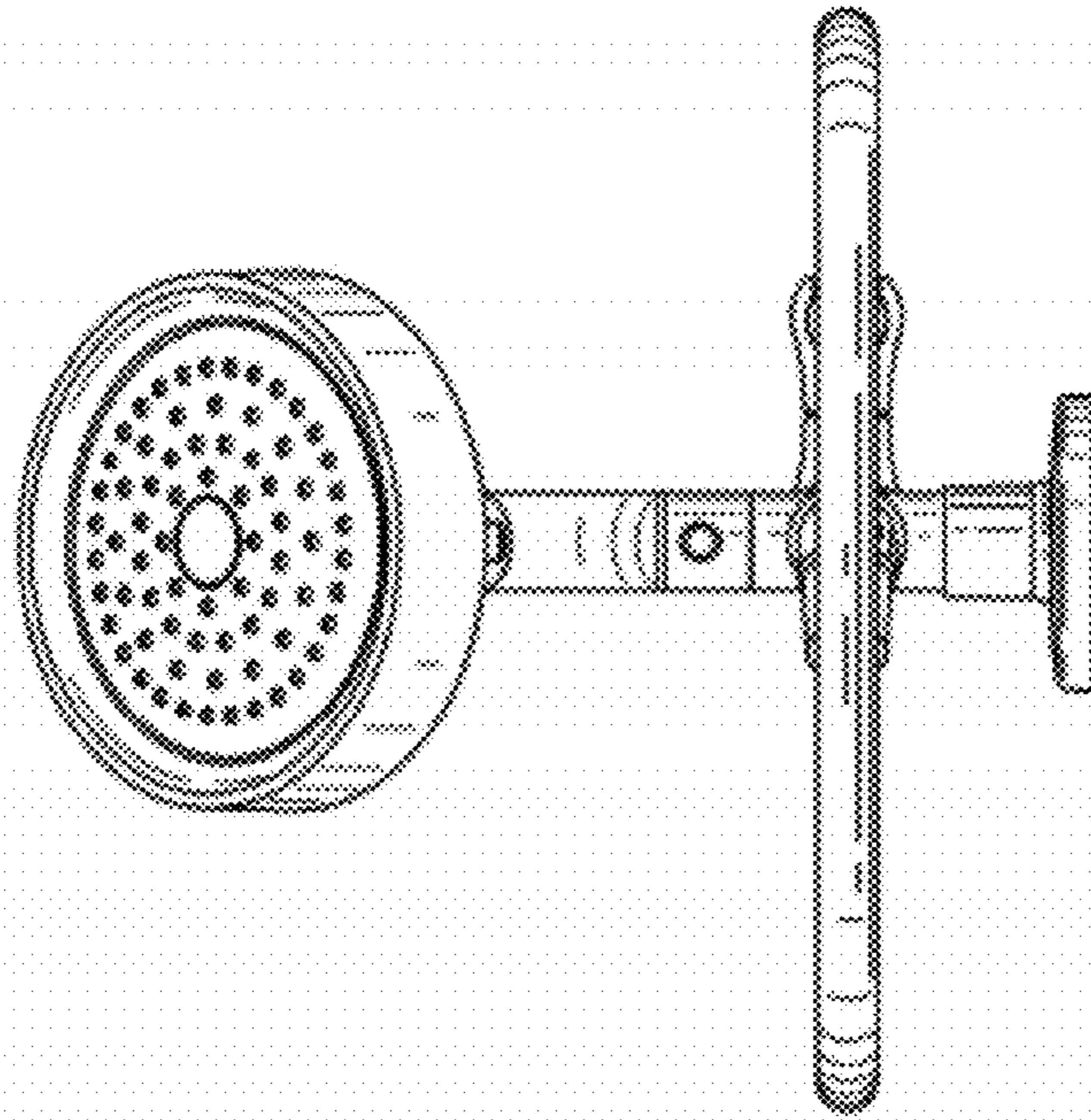


FIG. 35

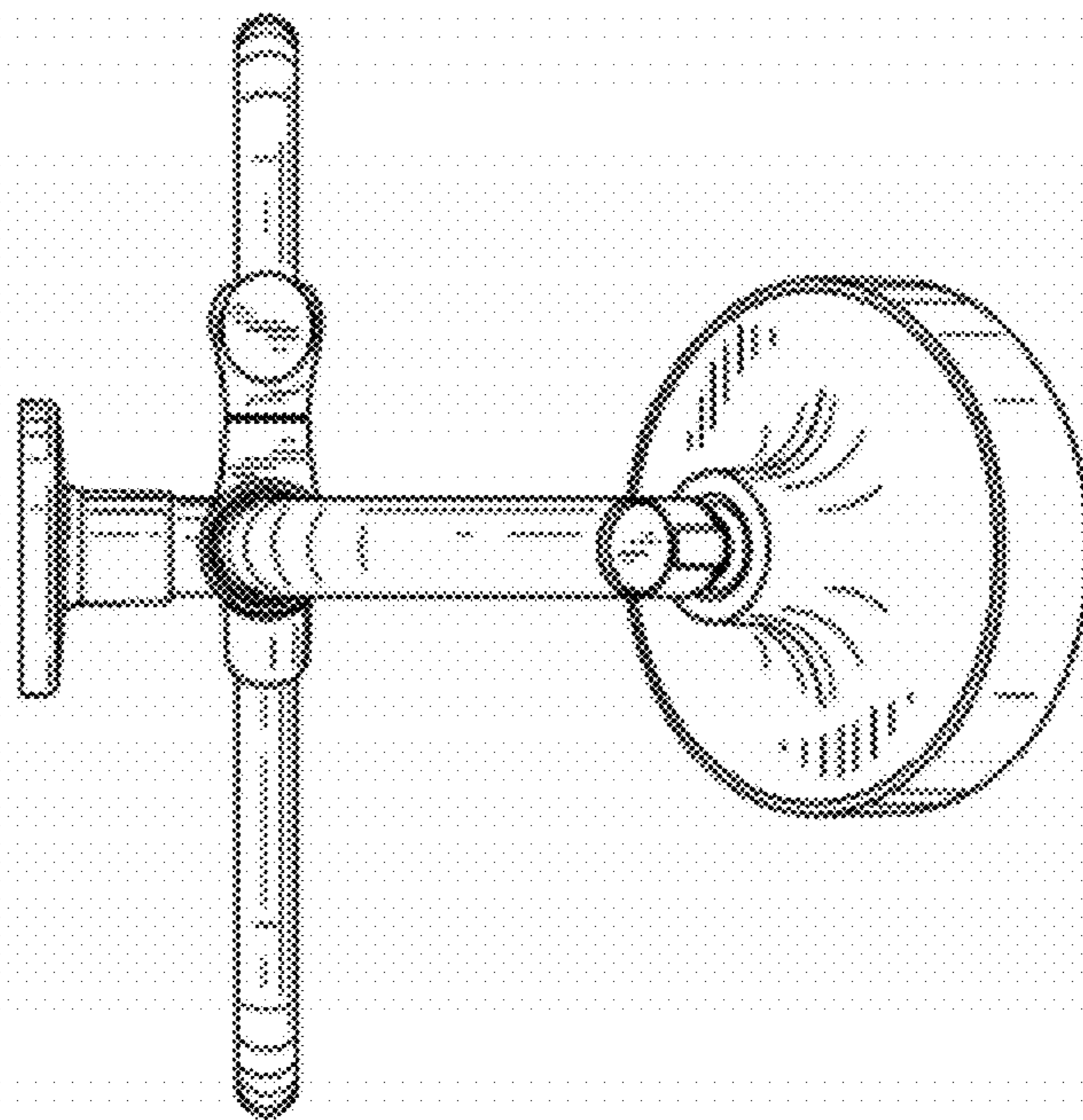


FIG. 34

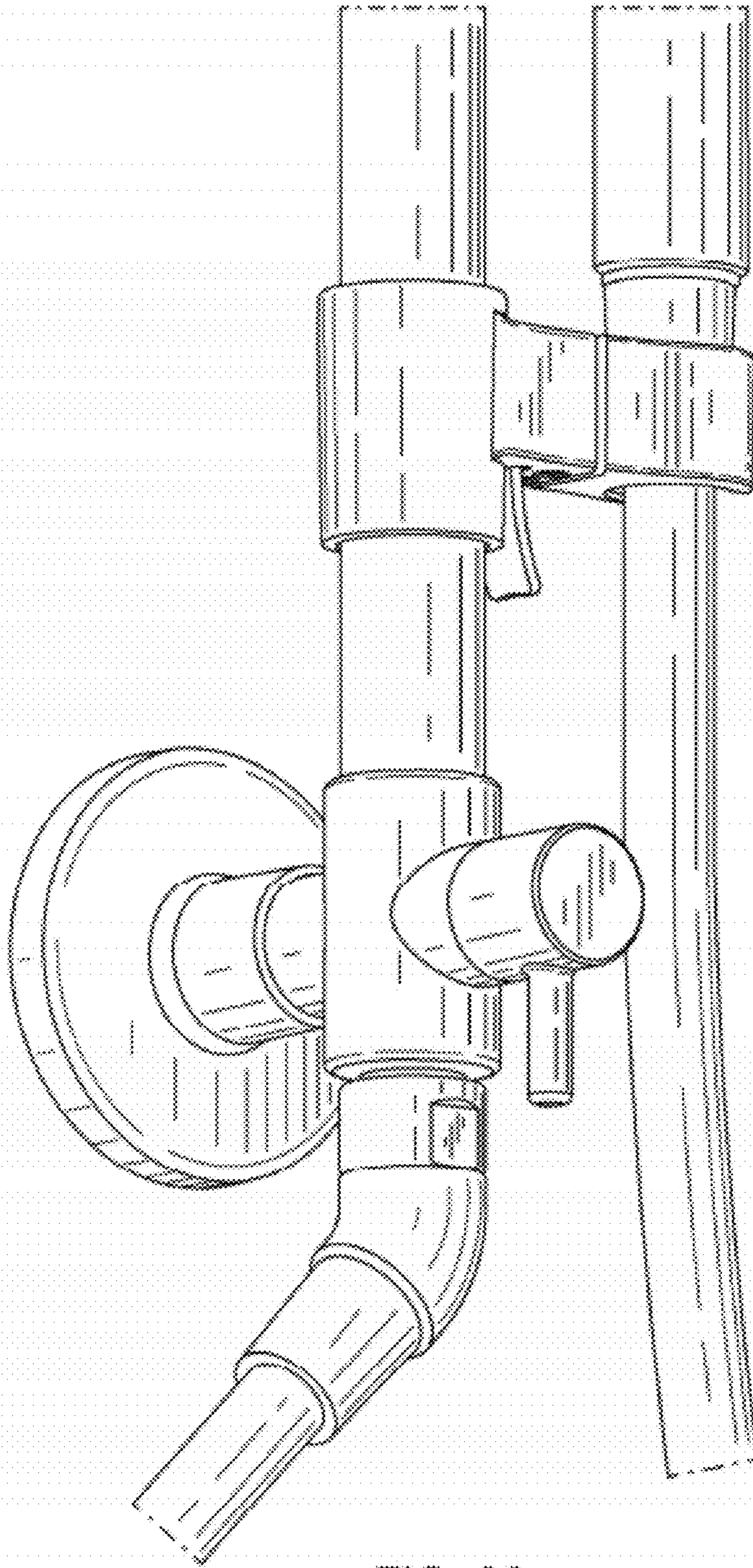


FIG. 36

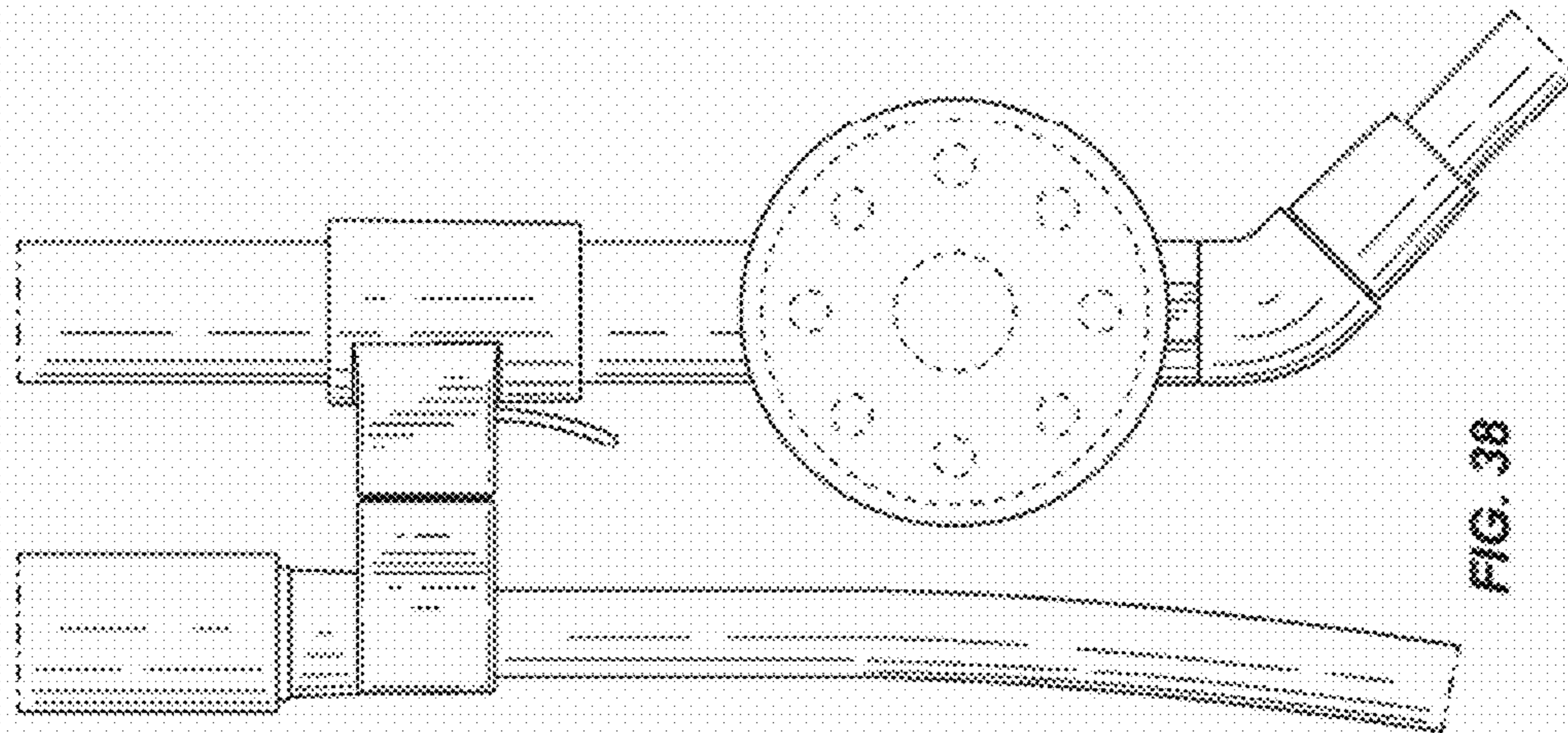


FIG. 38

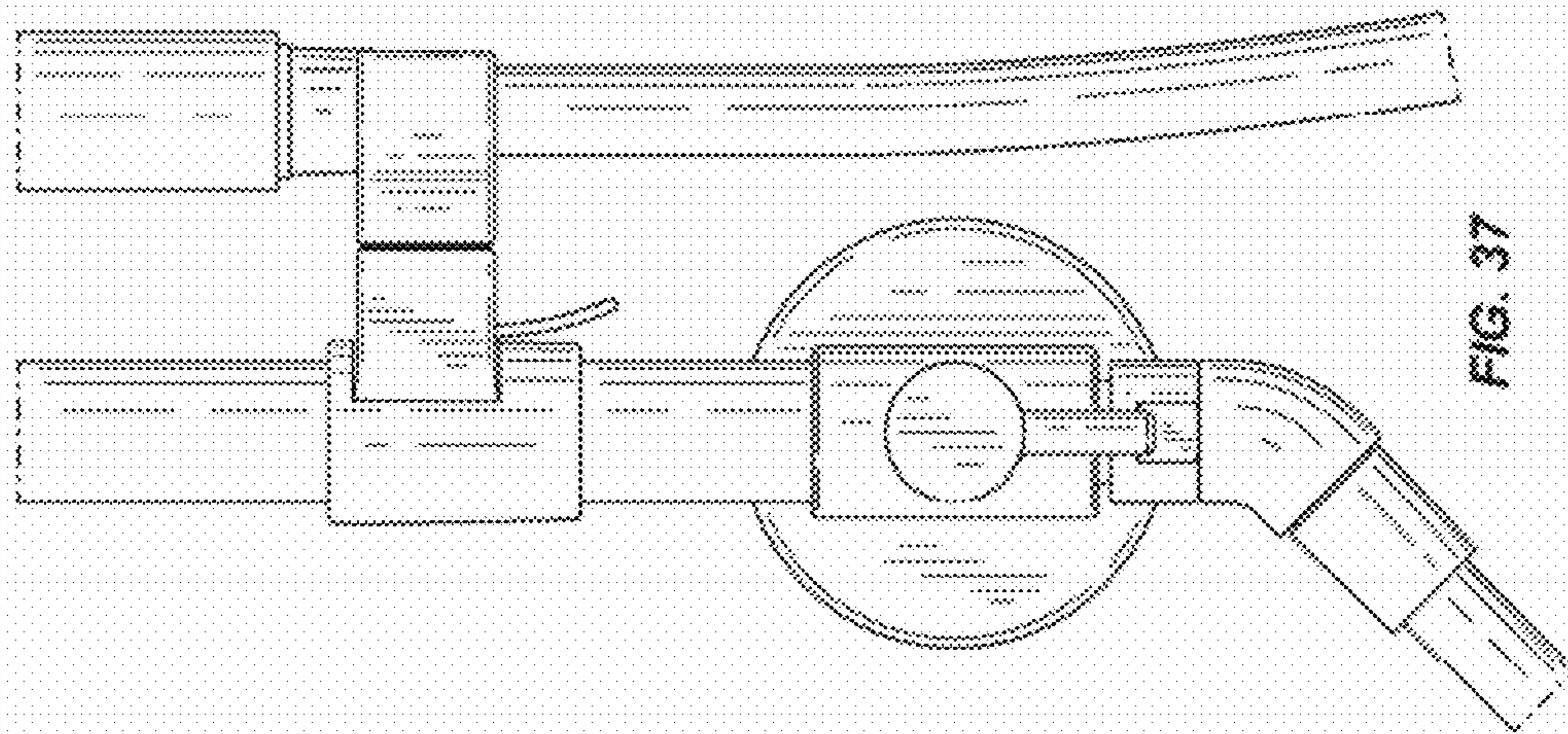


FIG. 37

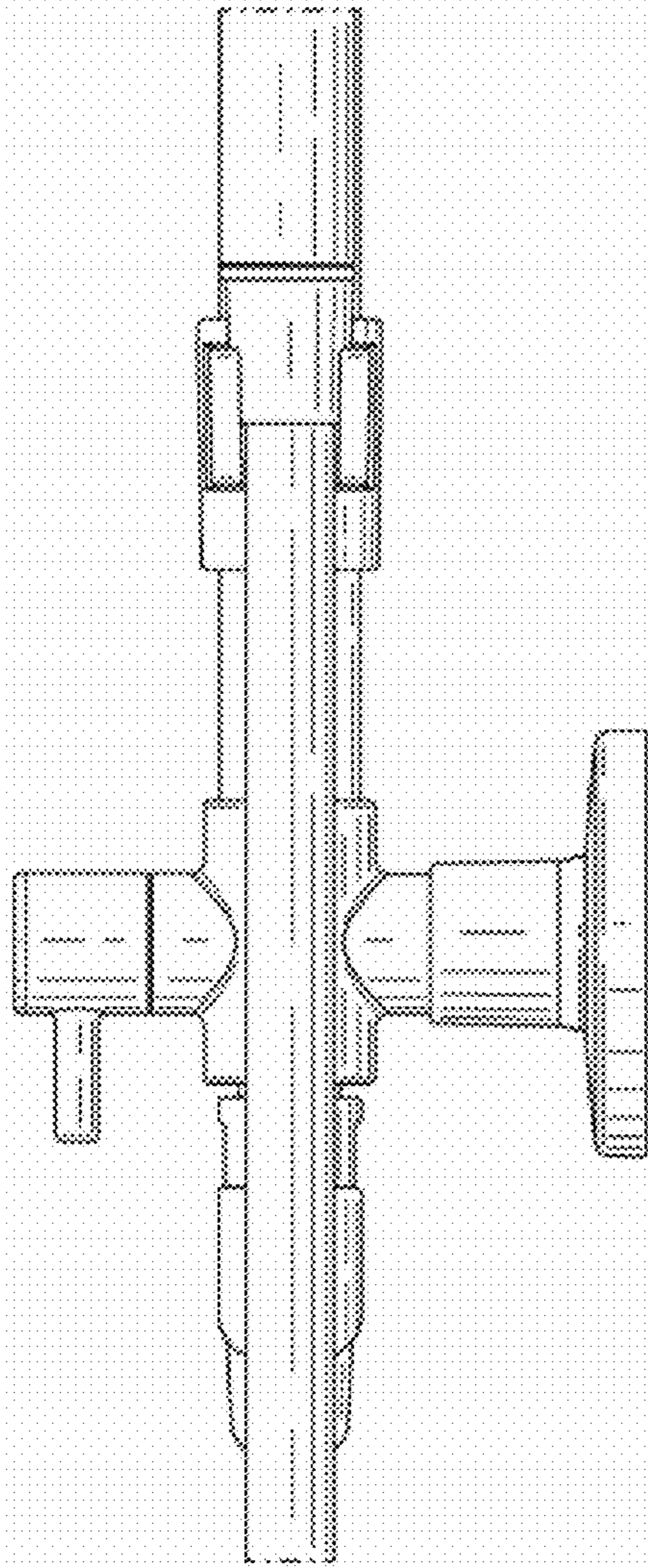


FIG. 39

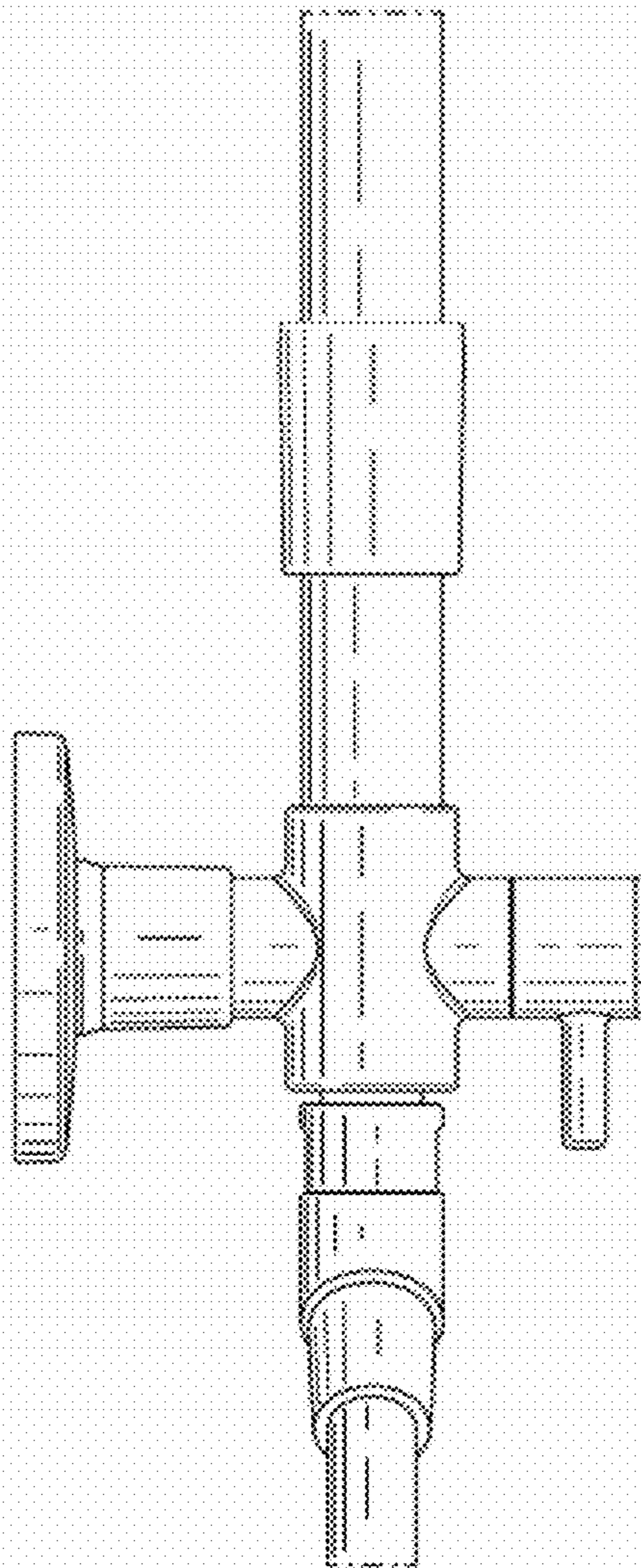


FIG. 40

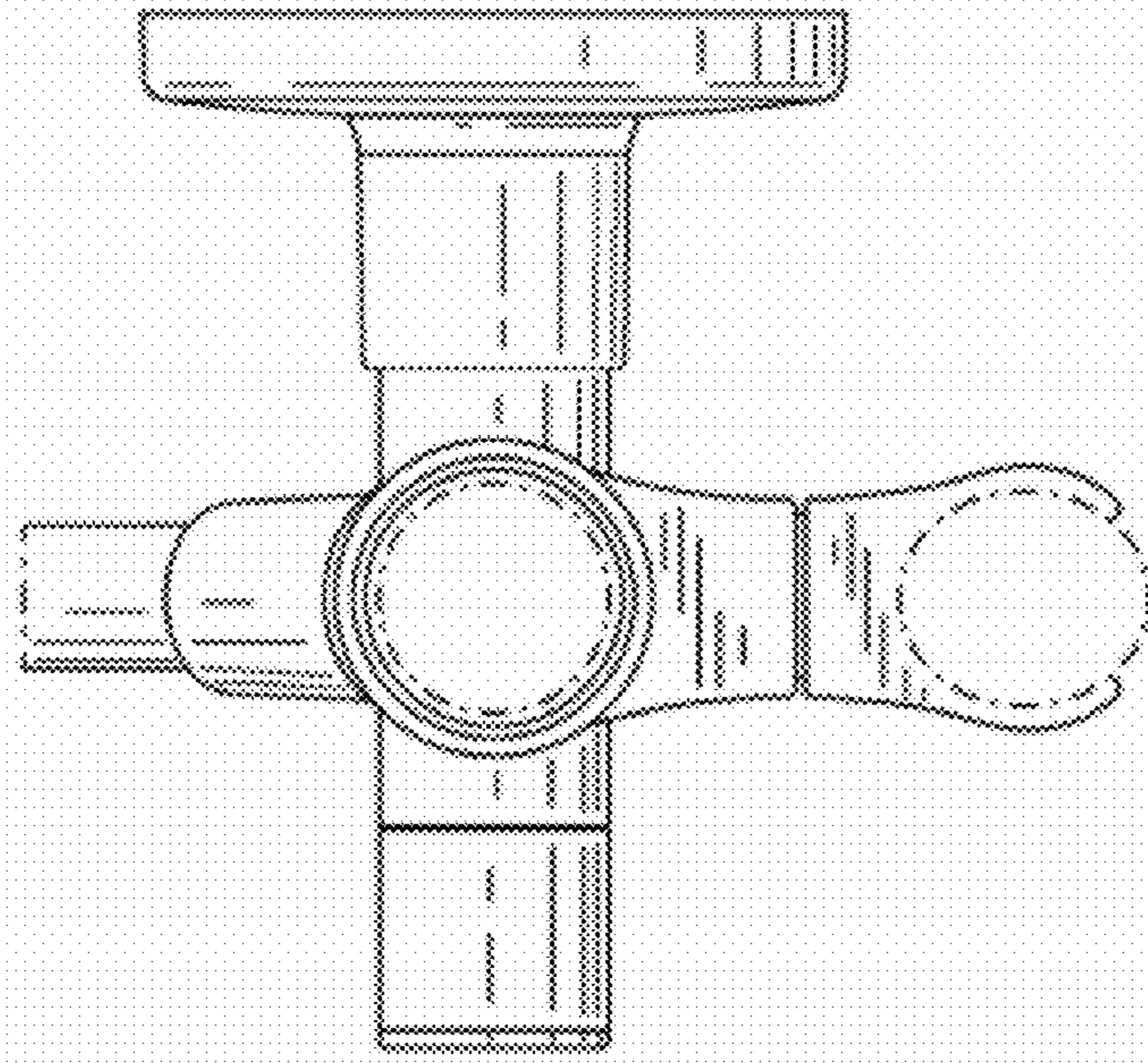


FIG. 41

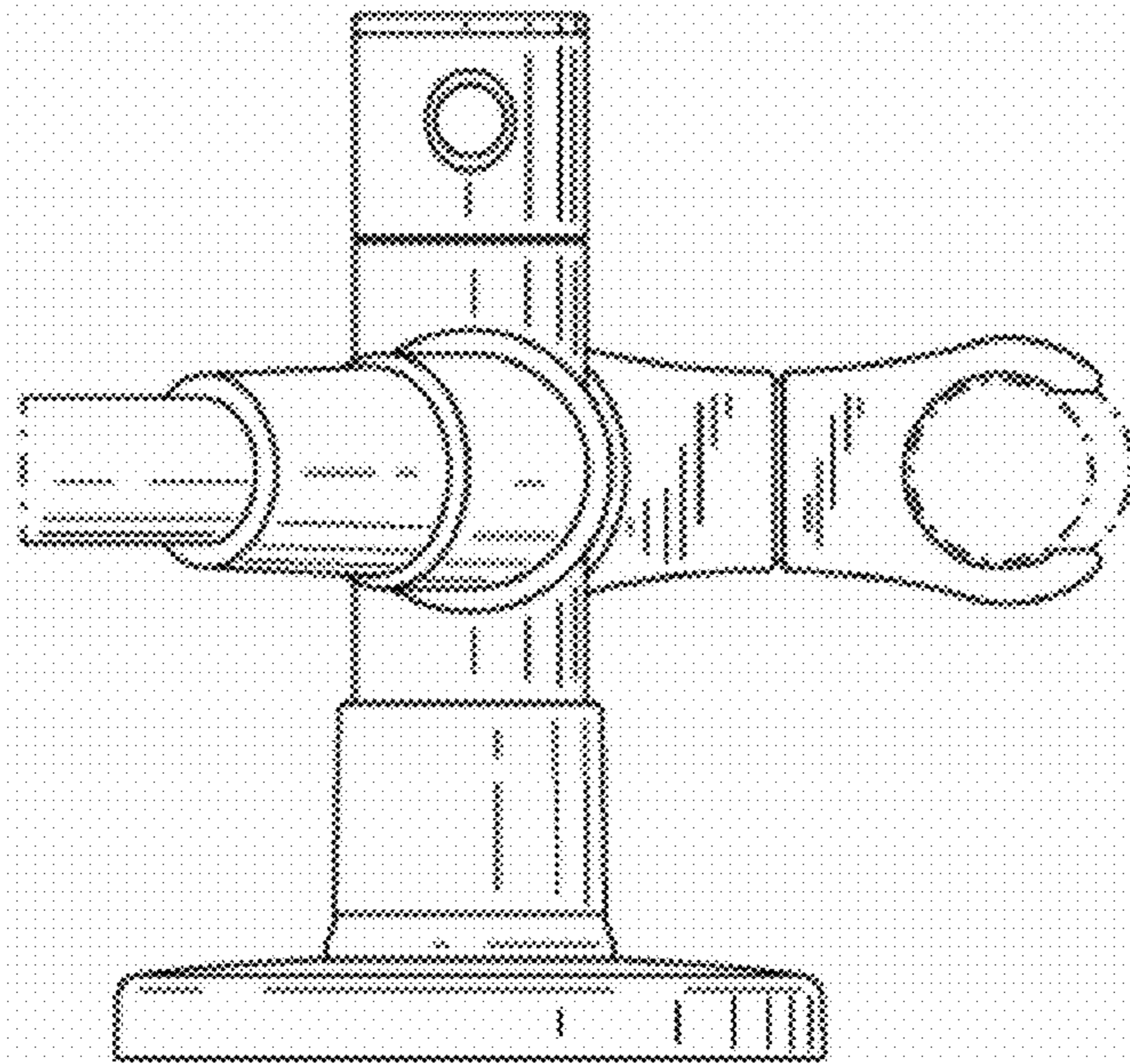


FIG. 42