

US00D665872S

(12) **United States Design Patent**  
**Lin**

(10) **Patent No.:** **US D665,872 S**

(45) **Date of Patent:** **\*\* Aug. 21, 2012**

(54) **WATER PURIFIER**

(75) Inventor: **Yi-Chou Lin**, Changhua County (TW)

(73) Assignee: **Lan Shan Enterprise Co., Ltd.**,  
Changhua County (TW)

(\*\*) Term: **14 Years**

(21) Appl. No.: **29/401,458**

(22) Filed: **Sep. 12, 2011**

(51) **LOC (9) Cl.** ..... **23-01**

(52) **U.S. Cl.** ..... **D23/207**

(58) **Field of Classification Search** ..... D23/207,  
D23/209; D7/300, 309; 210/241, 435; 222/185.1,  
222/189.06

See application file for complete search history.

(56) **References Cited**

**U.S. PATENT DOCUMENTS**

D331,097 S \* 11/1992 Sieren ..... D23/207  
D347,258 S \* 5/1994 Fenske ..... D23/209  
D477,048 S \* 7/2003 Yang ..... D23/207

D482,100 S \* 11/2003 Foy et al. .... D23/207  
D552,709 S \* 10/2007 Lin ..... D23/207  
D641,065 S \* 7/2011 Choi ..... D23/207

\* cited by examiner

*Primary Examiner* — Robin V Webster

(74) *Attorney, Agent, or Firm* — Muncy, Geissler, Olds &  
Lowe, PLLC

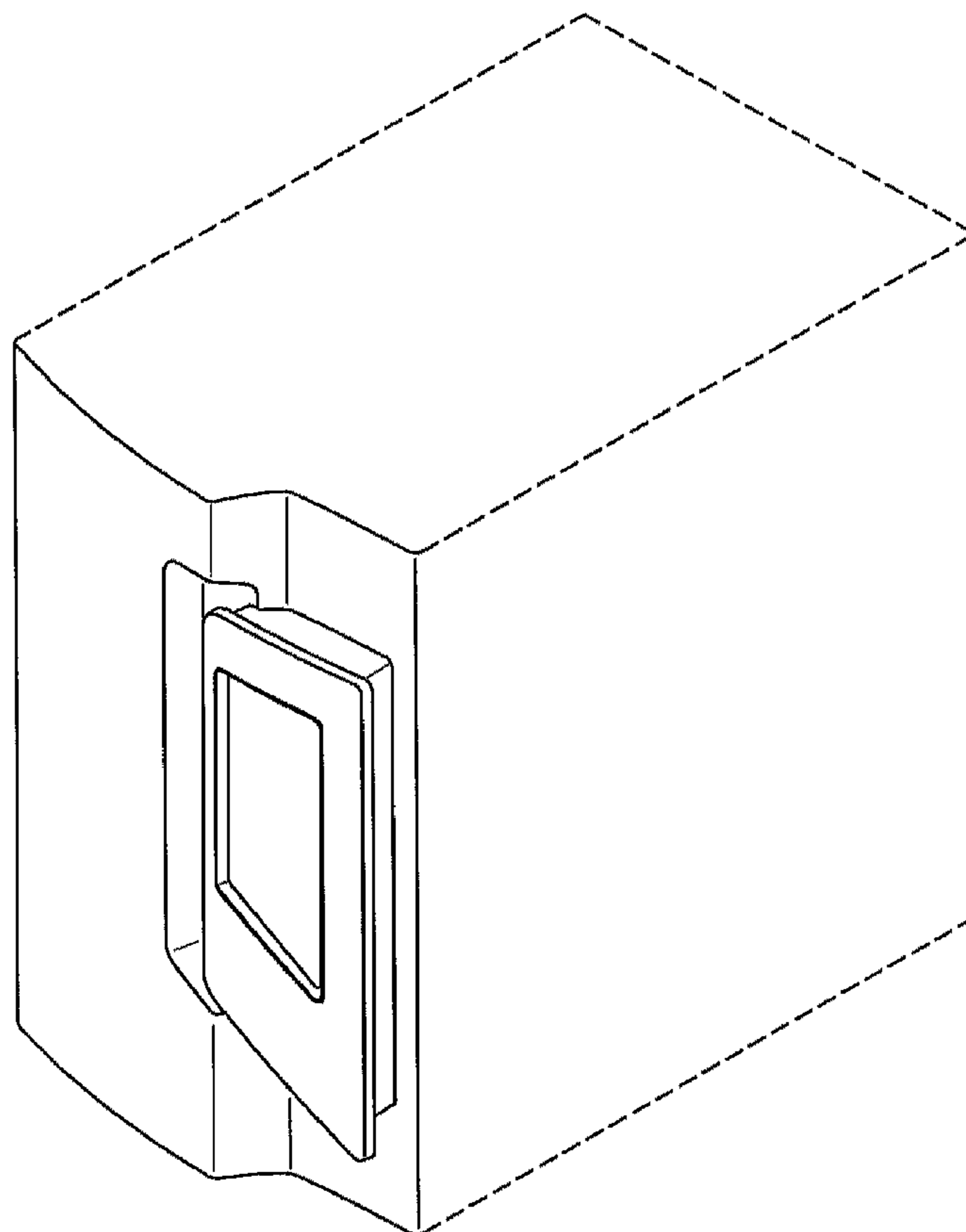
(57) **CLAIM**

The ornamental design for a water purifier, as shown and described.

**DESCRIPTION**

FIG. 1 shows a perspective view of the present design.  
FIG. 2 shows a front elevational view of the present design.  
FIG. 3 shows a left side elevational view of the present design.  
FIG. 4 shows a right side elevational view of the present design.  
FIG. 5 shows a top plan view of the present design; and,  
FIG. 6 shows a bottom plan view of the present design.  
The broken lines shown on the drawings are for illustrative purpose only and form no part of the claimed design.

**1 Claim, 4 Drawing Sheets**



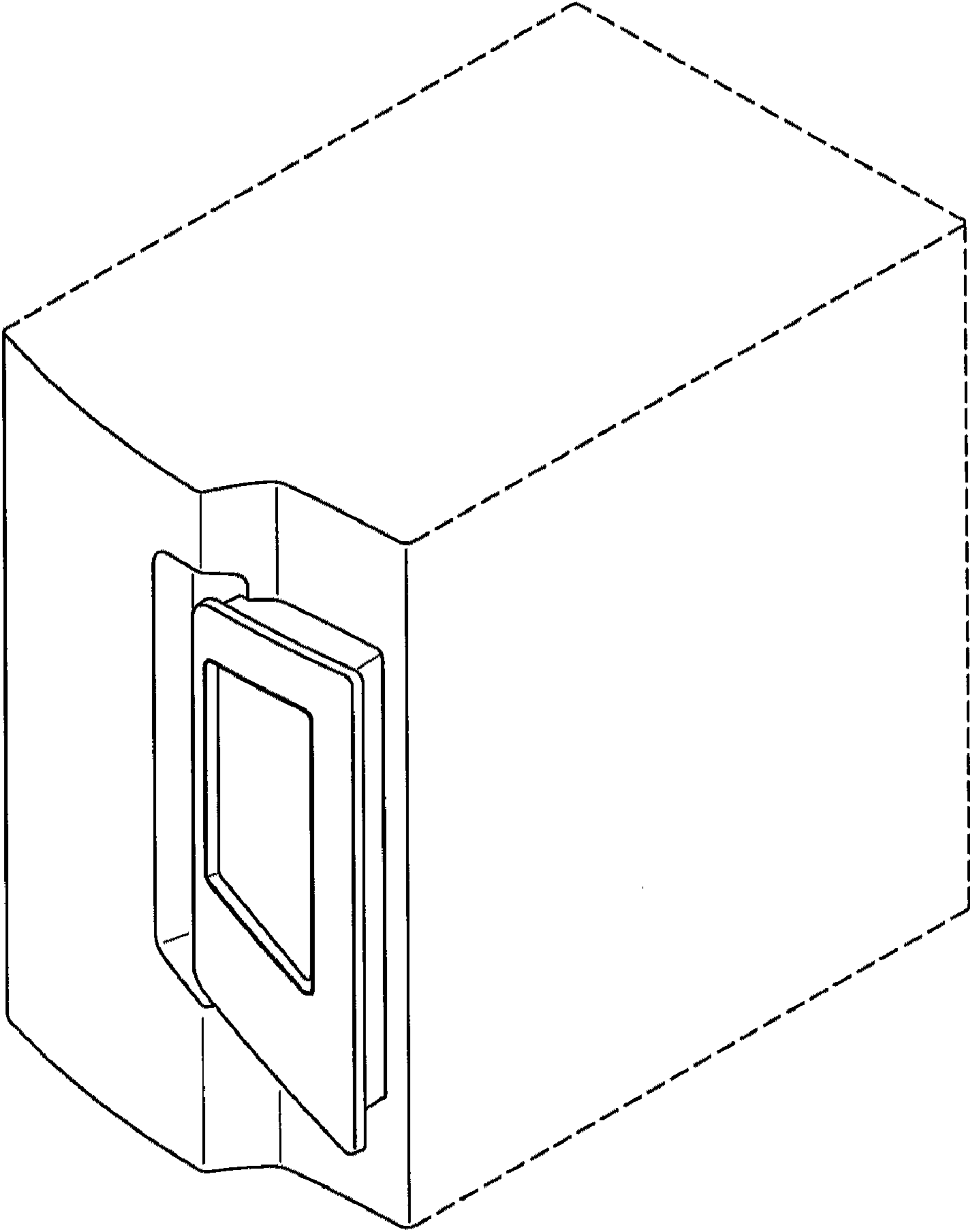


FIG. 1

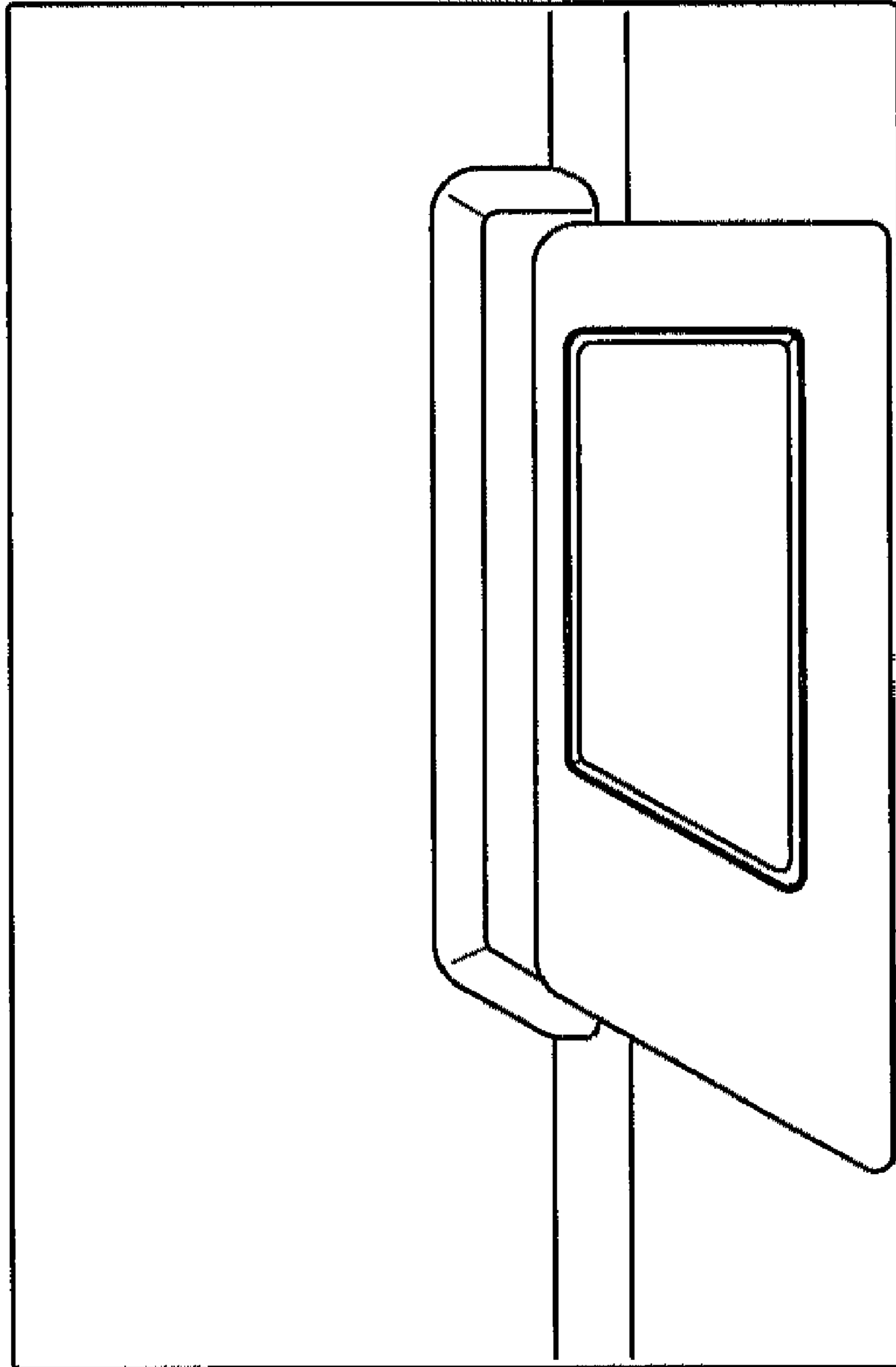


FIG. 2

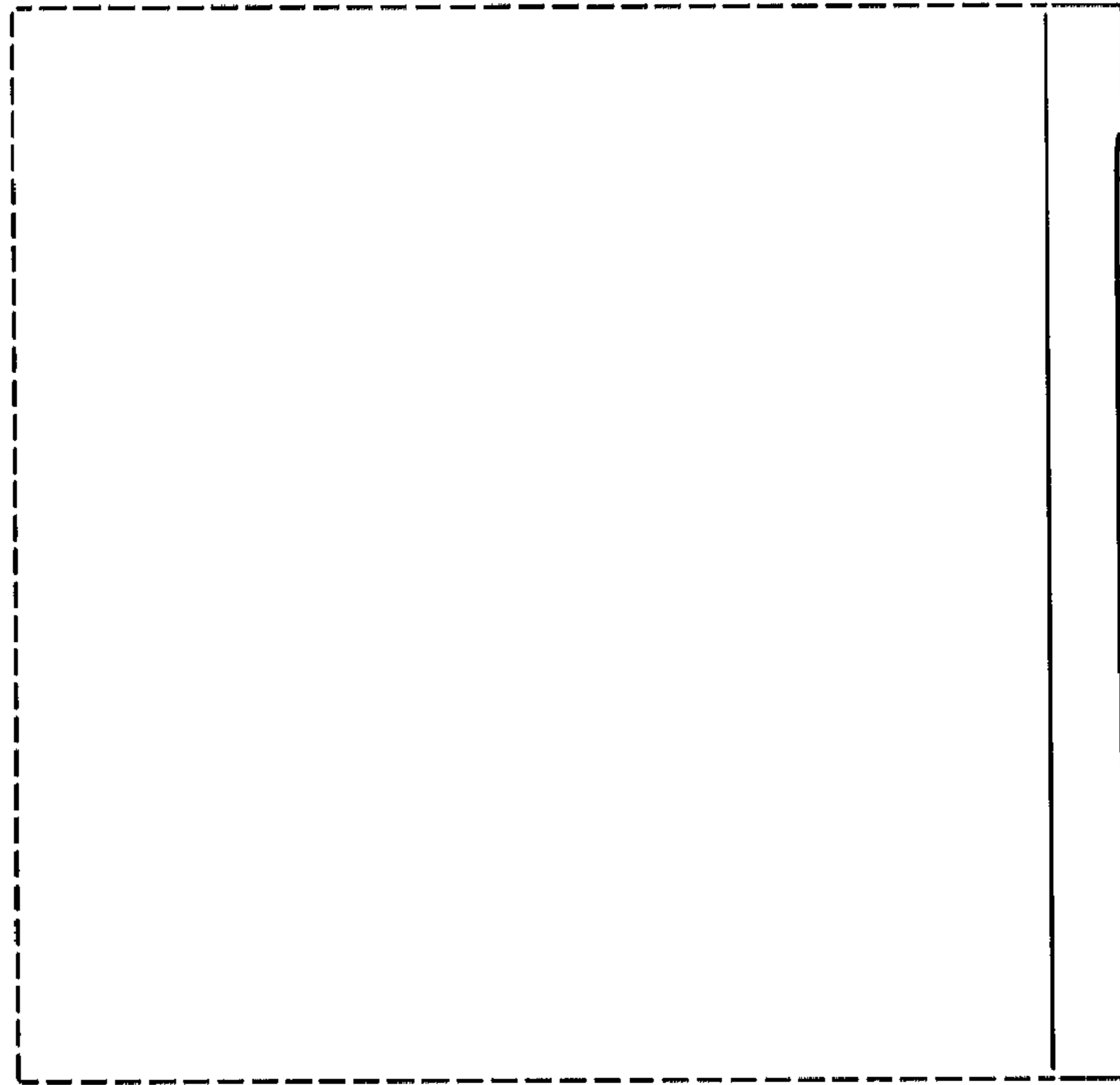


FIG. 3

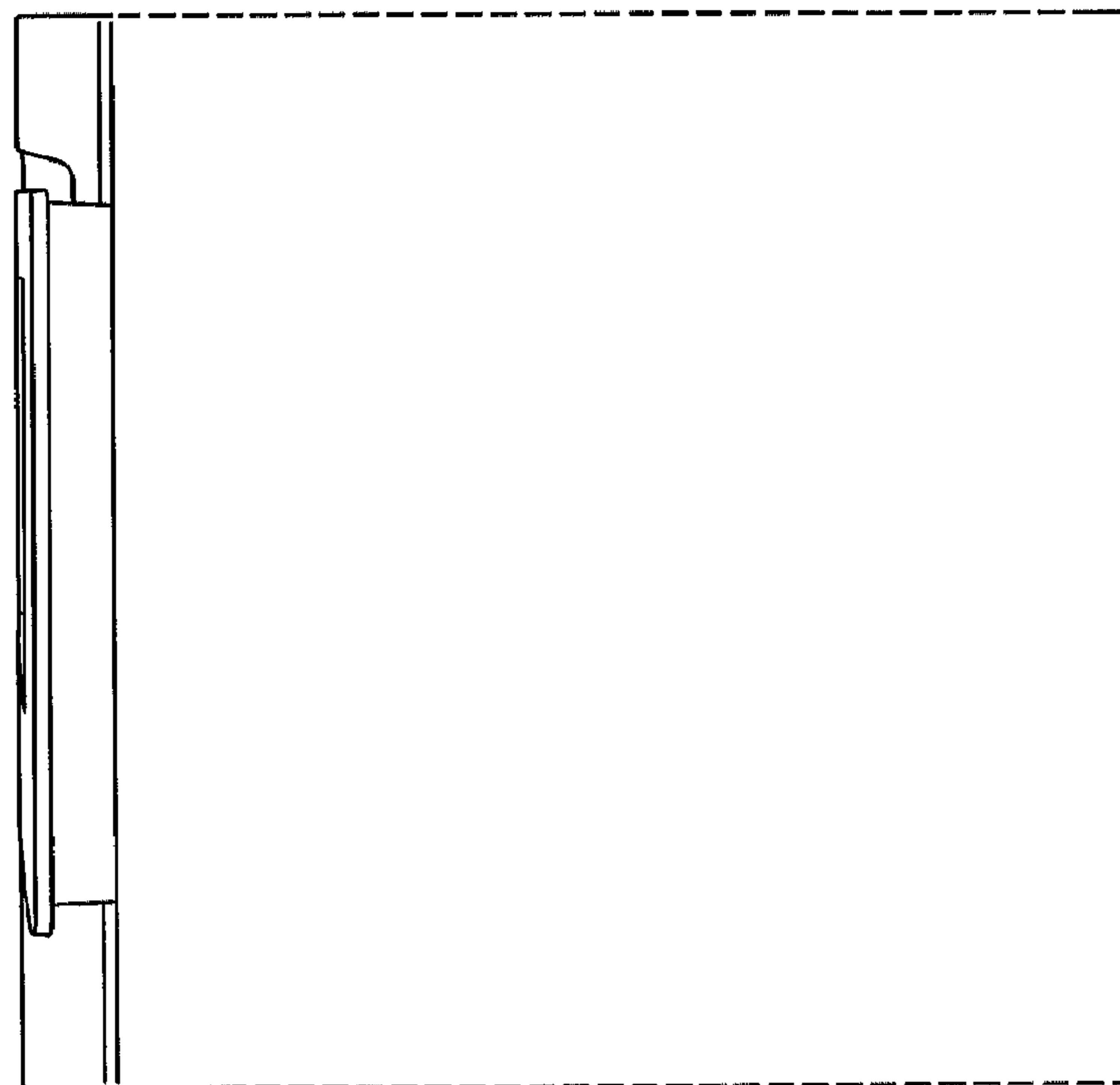


FIG. 4

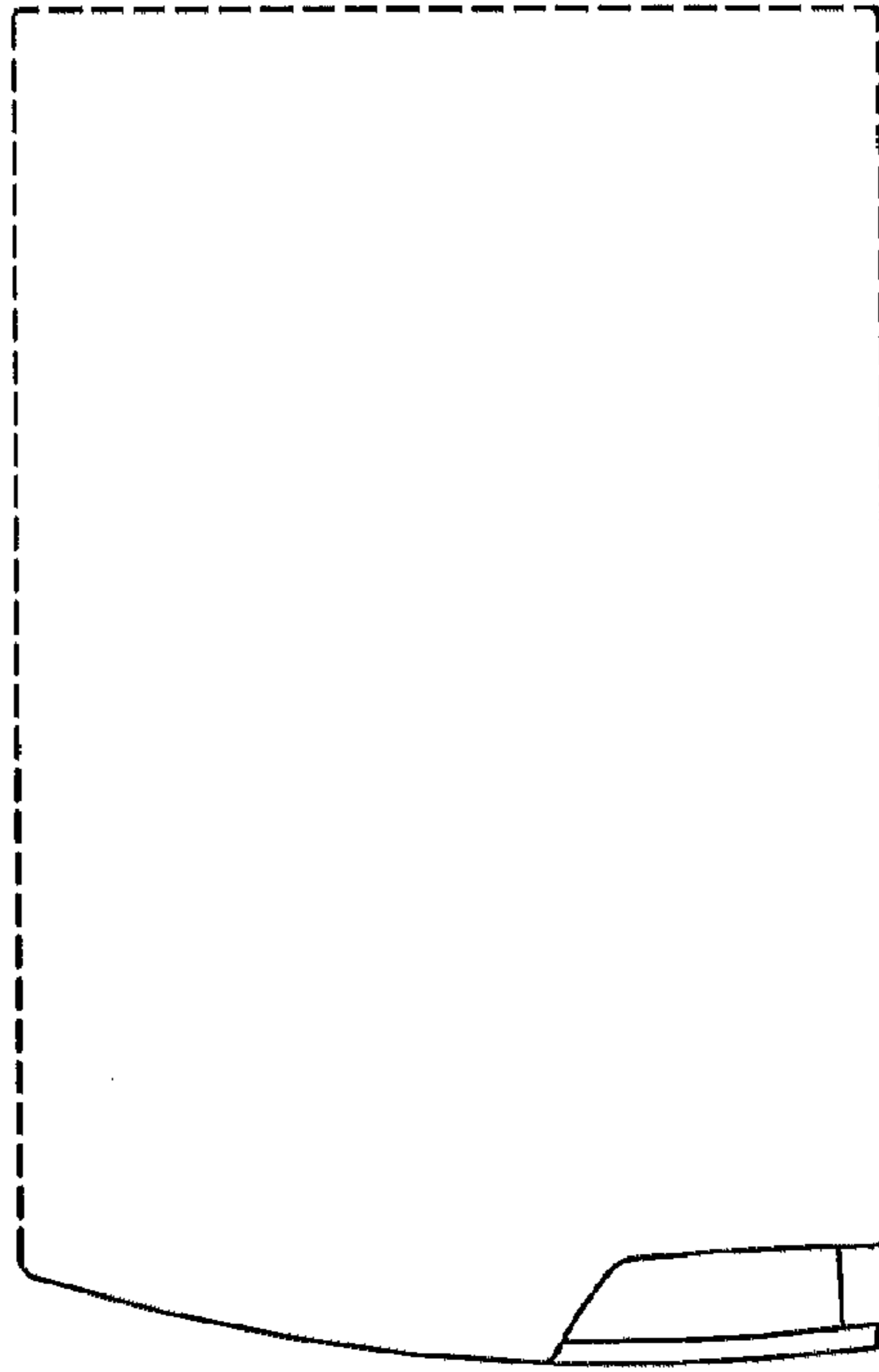


FIG. 5

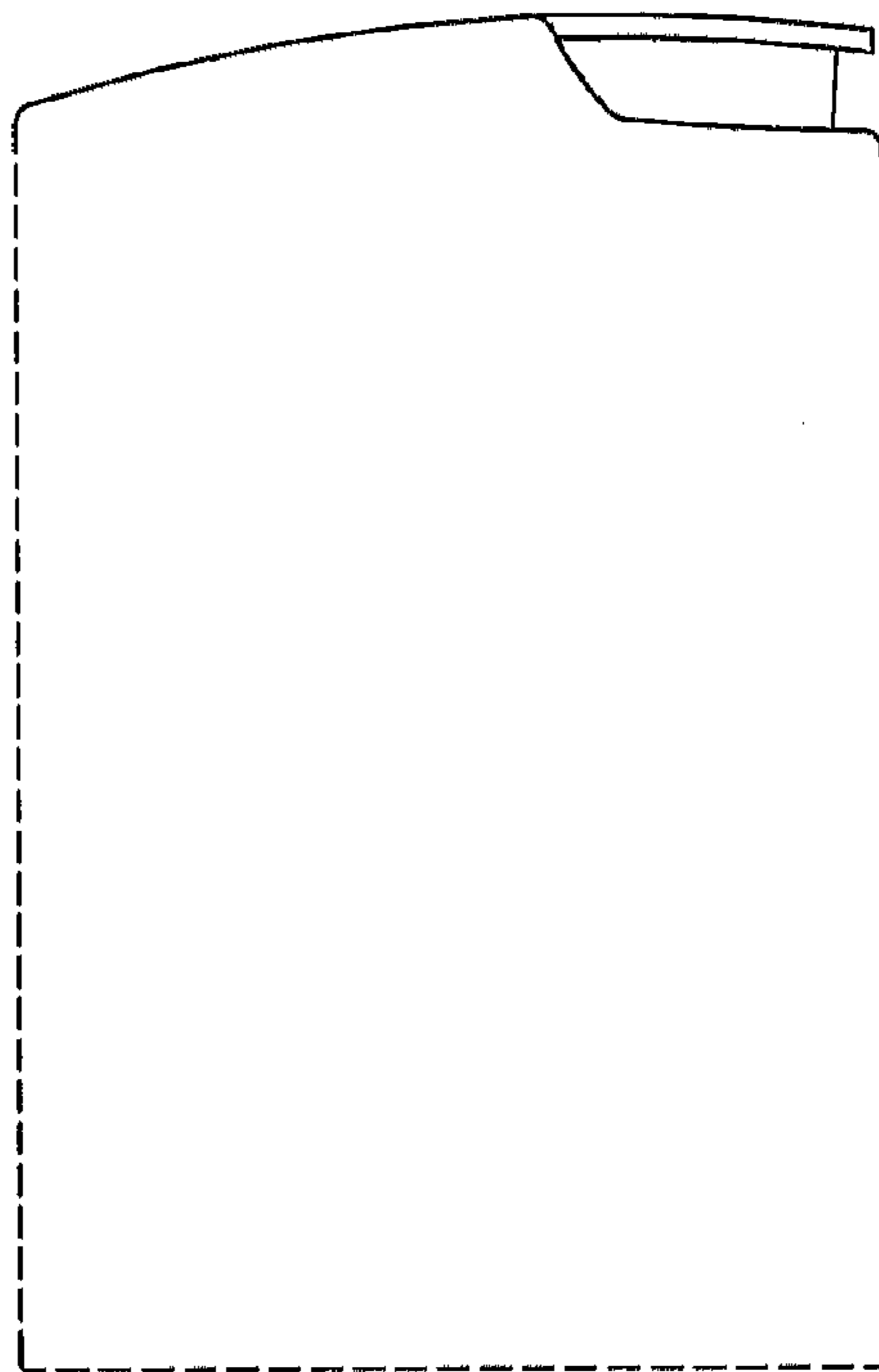


FIG. 6