

US00D665871S

(12) **United States Design Patent**
Coupé et al.

(10) **Patent No.:** **US D665,871 S**

(45) **Date of Patent:** **** *Aug. 21, 2012**

(54) **PROPANE TANK HOLDER**

(75) Inventors: **Darren R. Coupé**, Fairfax Station, VA (US); **Mark J. Schmitt**, Centreville, VA (US)

(73) Assignee: **Kram Industries**, Centreville, VA (US)

(*) Notice: This patent is subject to a terminal disclaimer.

(**) Term: **14 Years**

(21) Appl. No.: **29/410,829**

(22) Filed: **Jan. 12, 2012**

(51) **LOC (9) Cl.** **23-01**

(52) **U.S. Cl.** **D23/206**

(58) **Field of Classification Search** D23/206;
220/628-630; 248/146, 346.01, 346.03,
248/346.05; 211/71.01; D6/552, 567, 571,
D6/574

See application file for complete search history.

(56) **References Cited**

U.S. PATENT DOCUMENTS

D262,078	S	12/1981	Newton	
4,905,855	A	3/1990	Troiano et al.	
4,932,621	A *	6/1990	Kowk	248/146
4,974,800	A	12/1990	Tyson, Jr.	
D331,792	S *	12/1992	Wilcox	D23/206
D385,615	S *	10/1997	St-Louis	D23/206
6,264,155	B1 *	7/2001	Ardrey	248/346.01
6,745,987	B2 *	6/2004	Rousselet et al.	248/363

D511,894	S	11/2005	Janney, Jr. et al.	
D523,518	S	6/2006	Moldenhauer	
7,131,618	B2 *	11/2006	Berry et al.	248/346.05
D564,619	S *	3/2008	Cogswell et al.	D23/206
7,520,549	B2	4/2009	Leighton	
7,726,620	B1 *	6/2010	Kleespie	248/346.01
D630,704	S	1/2011	Kochanski	
D641,064	S *	7/2011	Cogswell et al.	D23/206
2006/0175511	A1	8/2006	Leech	

OTHER PUBLICATIONS

Specimen filed in TM Reg. No. 3,402,734.

* cited by examiner

Primary Examiner — Robin V Webster

(74) *Attorney, Agent, or Firm* — Mattingly & Malur, P.C.

(57) **CLAIM**

The ornamental design for a propane tank holder, as shown and described.

DESCRIPTION

FIG. 1 is a top perspective view of our new design for a propane tank holder;

FIG. 2 is a top plan view thereof;

FIG. 3 is a side elevation view thereof;

FIG. 4 is a bottom perspective view thereof;

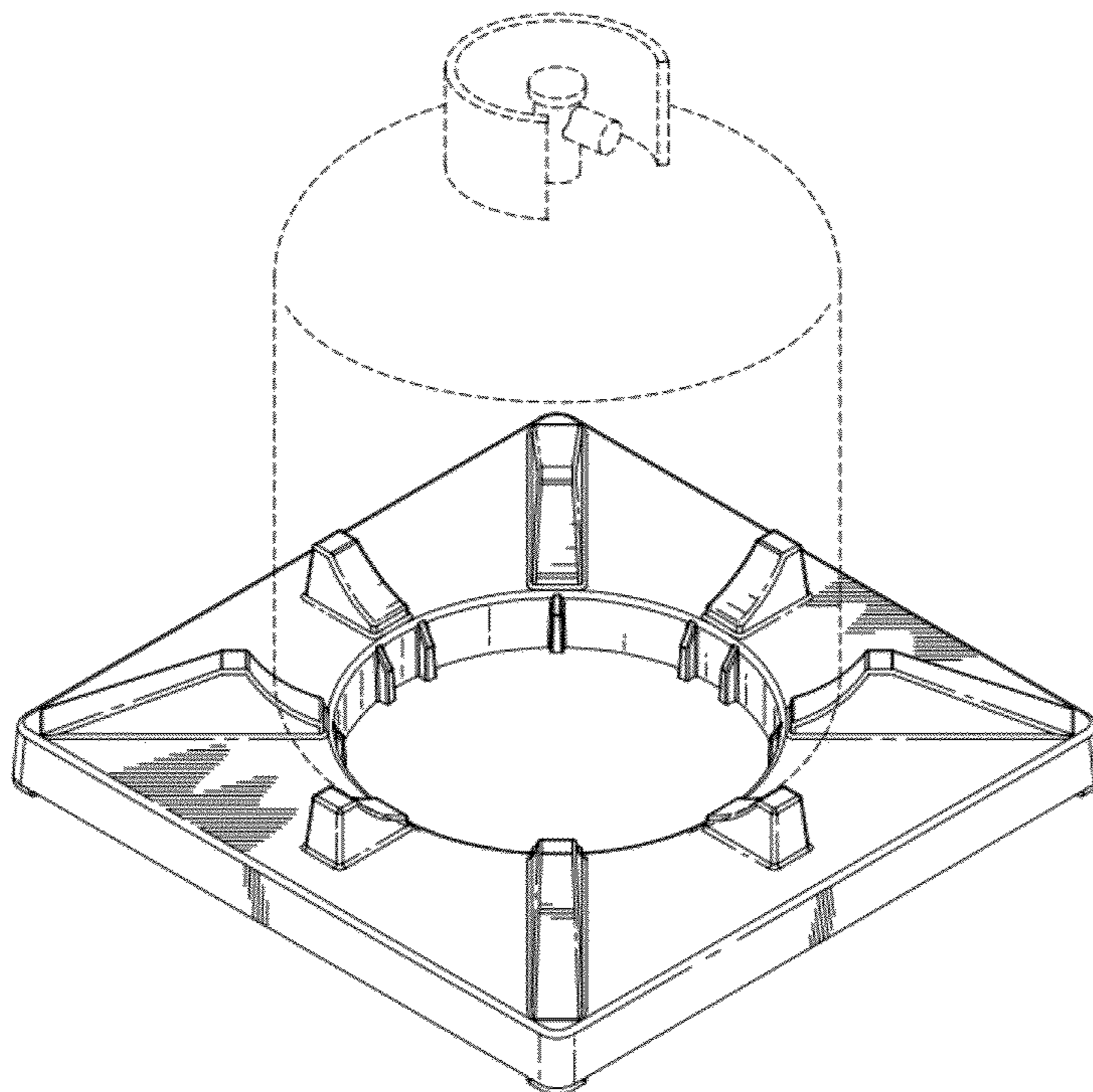
FIG. 5 is a bottom plan view thereof;

FIG. 6 is a cross-sectional view thereof, taken along line 6-6 of FIG. 5; and,

FIG. 7 is a cross-sectional view thereof; taken along line 7-7 of FIG. 5.

The broken line showing of a propane tank in FIG. 1 is included for purposes of illustrating environment and forms no part of the claimed design.

1 Claim, 4 Drawing Sheets



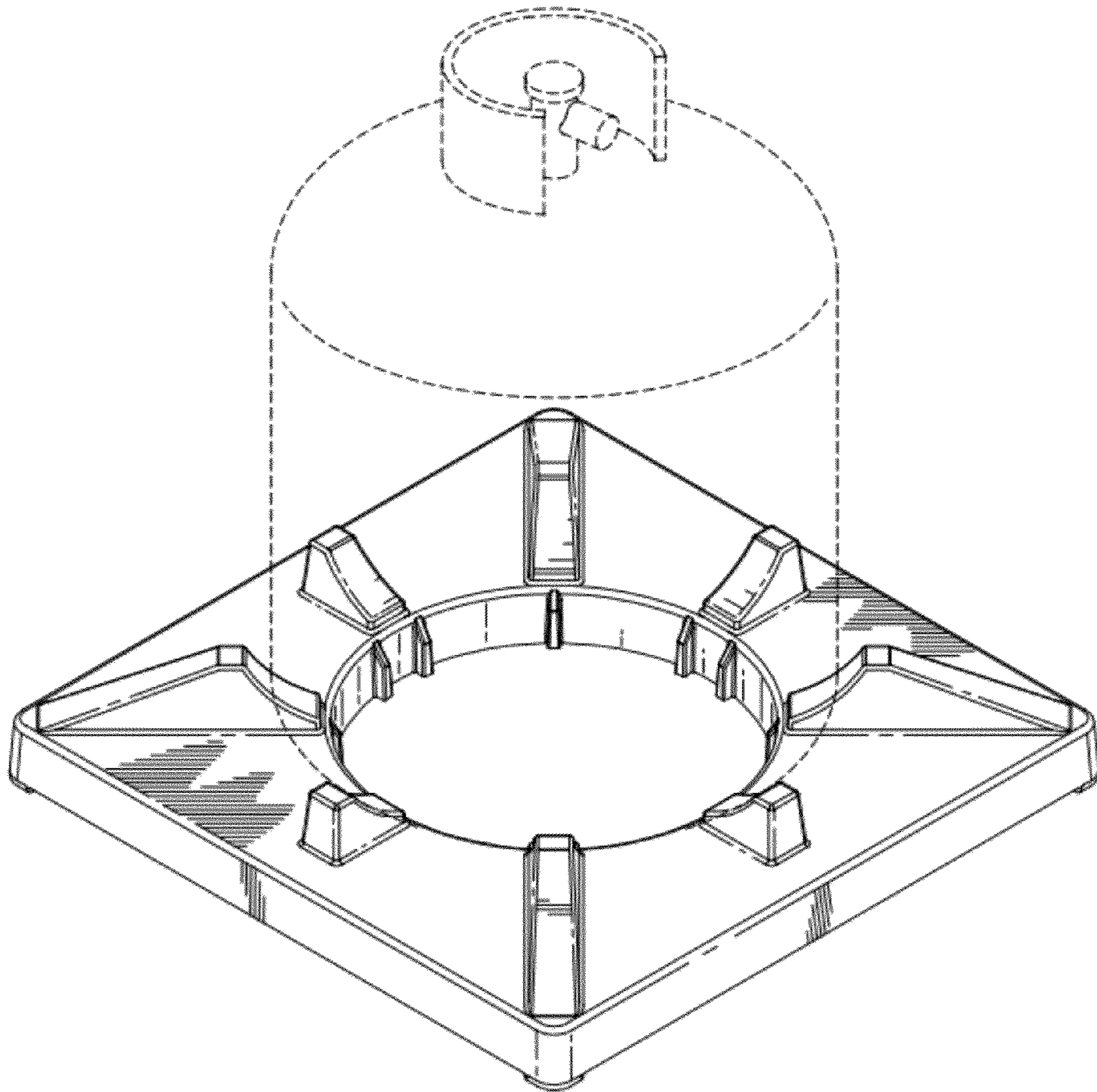


FIG. 1

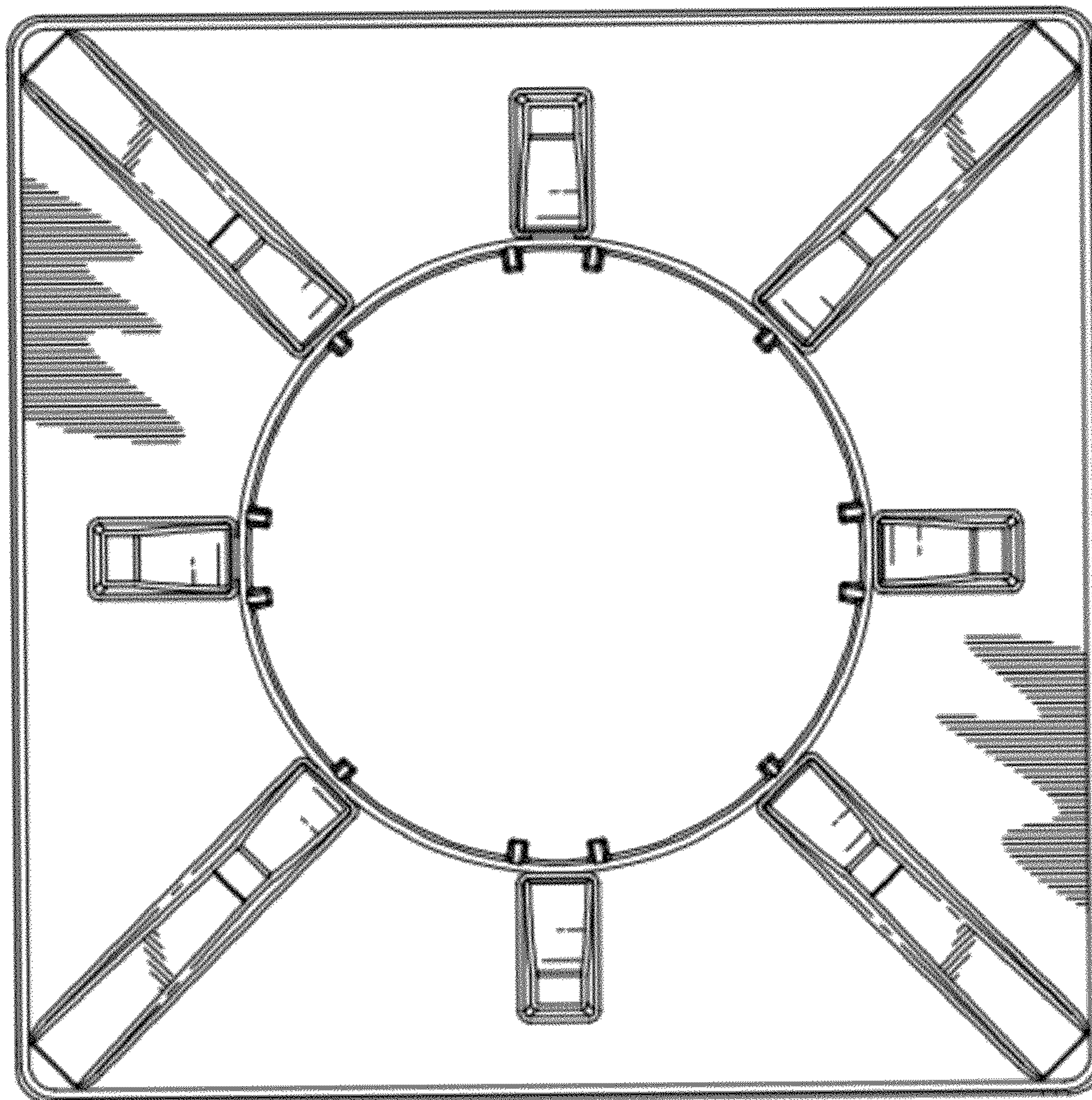


FIG. 2

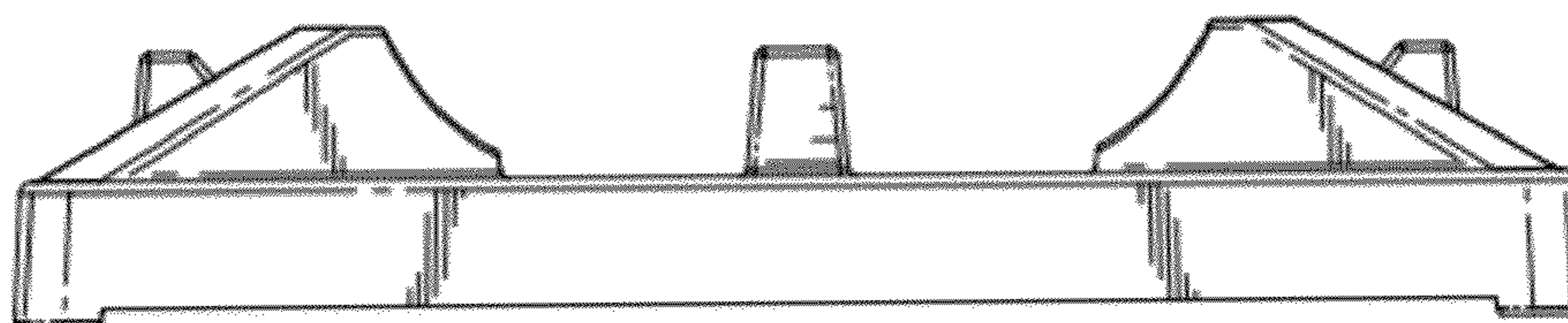


FIG. 3

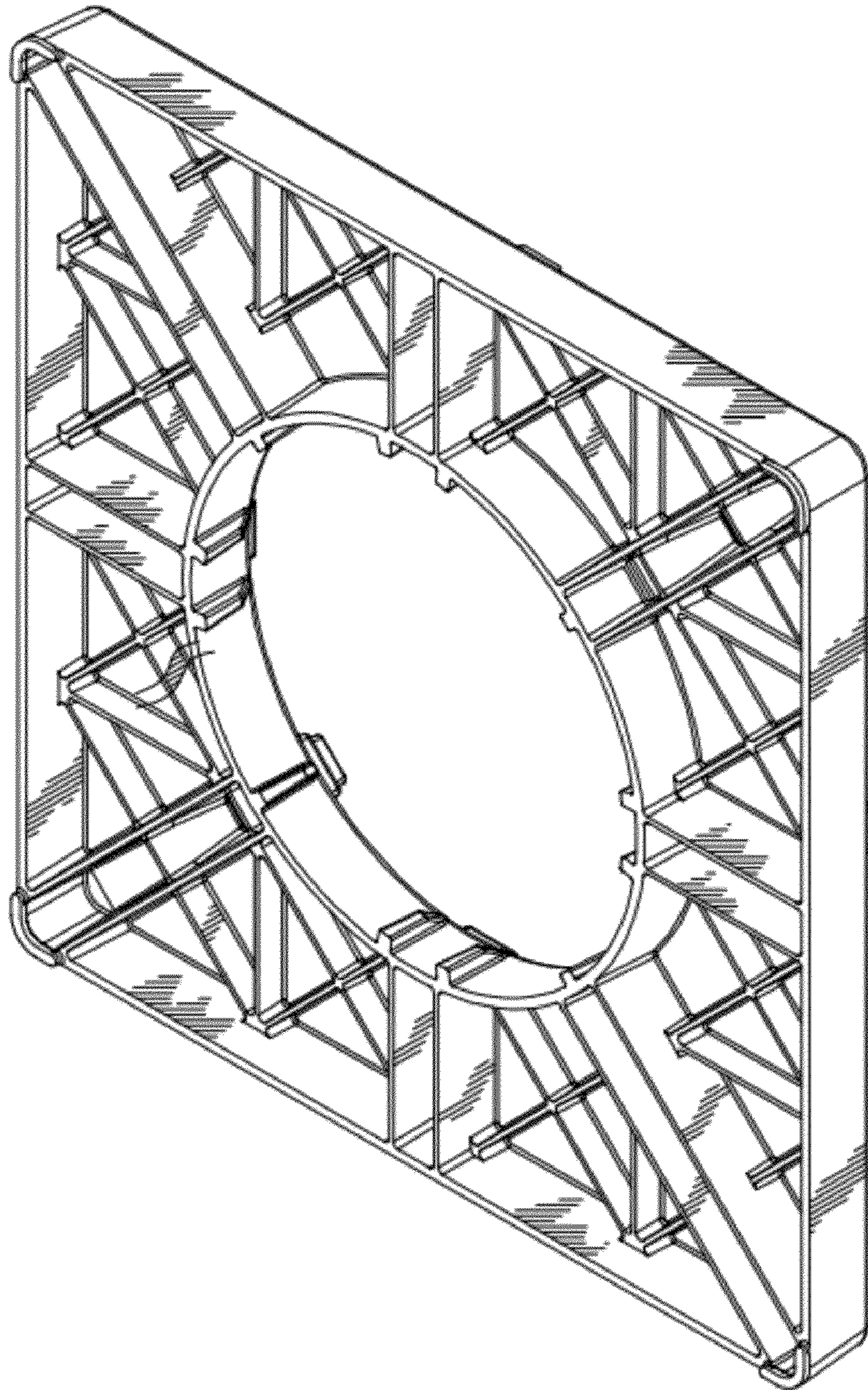


FIG.4

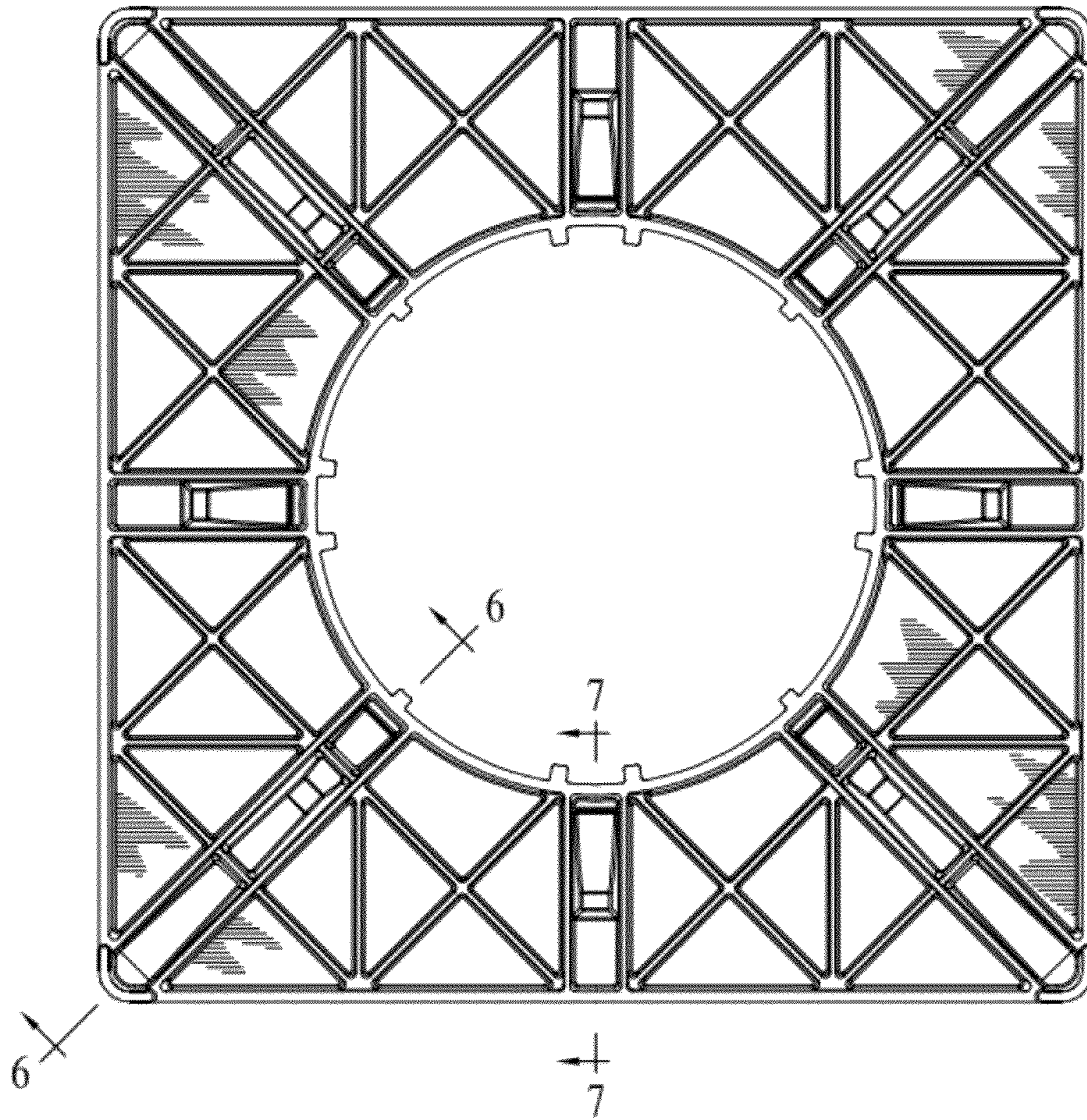


FIG. 5

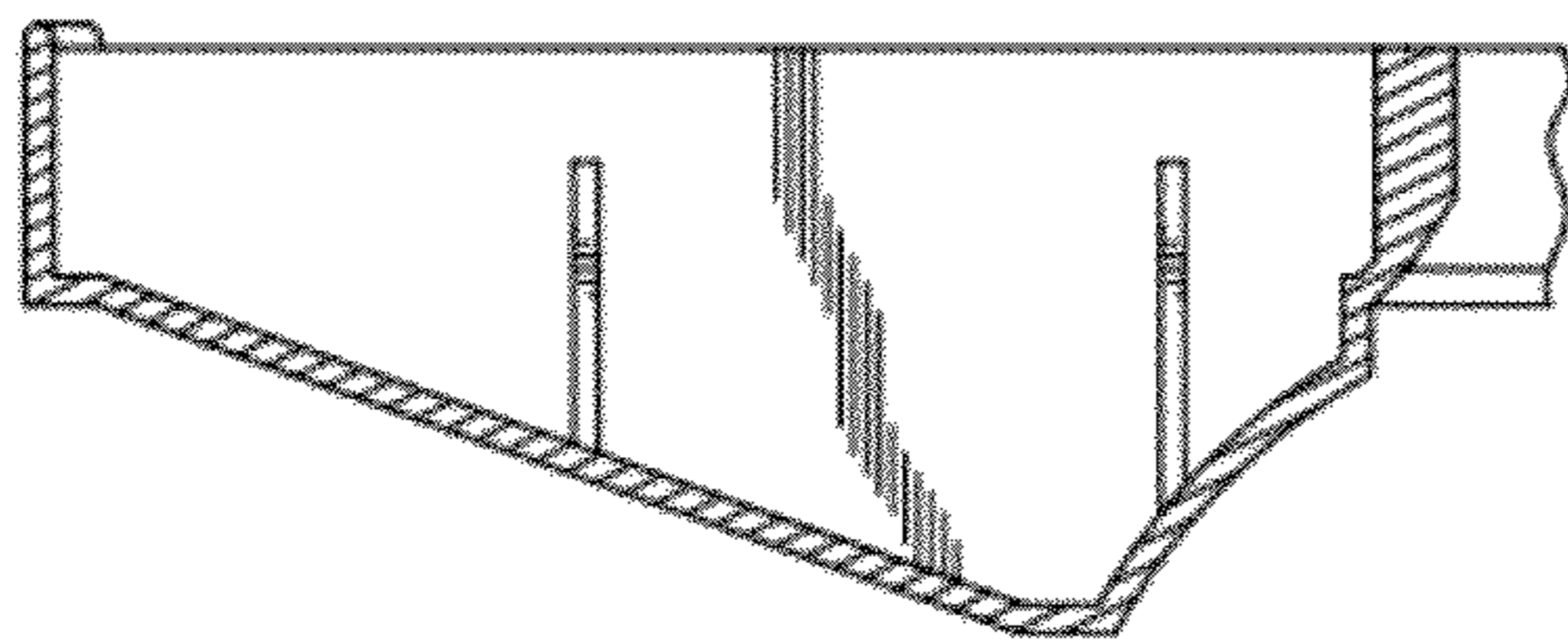


FIG. 6

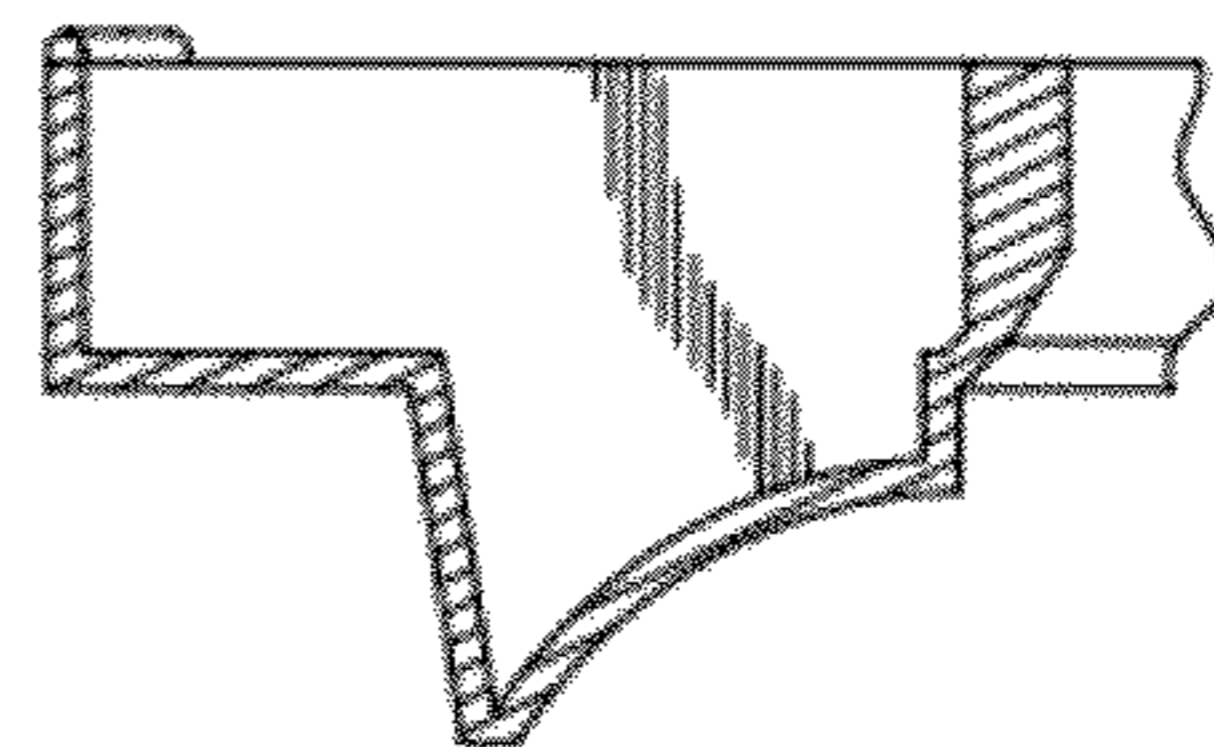


FIG. 7