



US00D665868S

(12) **United States Design Patent**  
**Storch**

(10) **Patent No.:** **US D665,868 S**

(45) **Date of Patent:** **\*\* Aug. 21, 2012**

(54) **FIREARM REAR SIGHT AND SIGHT MOUNT**

(76) **Inventor:** **Troy Storch, Waukesha, WI (US)**

(\*\*) **Term:** **14 Years**

(21) **Appl. No.:** **29/394,148**

(22) **Filed:** **Jun. 14, 2011**

(51) **LOC (9) Cl.** ..... **22-01**

(52) **U.S. Cl.** ..... **D22/110**

(58) **Field of Classification Search** ..... D22/108–110,  
D22/199; 89/111–133; 359/399, 823, 744;  
42/104, 105, 111–113, 116, 120, 124–126,  
42/127–129, 141–148, 133–140; 33/227,  
33/229

See application file for complete search history.

(56) **References Cited**

**U.S. PATENT DOCUMENTS**

4,742,636	A *	5/1988	Swan	42/126
5,595,011	A *	1/1997	Gorslin	42/112
7,240,451	B2 *	7/2007	Blair	42/124
7,827,724	B1 *	11/2010	Spinelli	42/124
2008/0092425	A1 *	4/2008	Keng	42/145
2009/0038201	A1 *	2/2009	Cheng et al.	42/127
2009/0288328	A1 *	11/2009	Kiser	42/124
2010/0162611	A1 *	7/2010	Samson et al.	42/125
2012/0000979	A1 *	1/2012	Horvath et al.	235/407

\* cited by examiner

*Primary Examiner* — Michael Pratt

(74) *Attorney, Agent, or Firm* — Boyle Frederickson, S.C.

(57) **CLAIM**

The ornamental design for a firearm rear sight and sight mount, substantially as shown and described.

**DESCRIPTION**

FIG. 1 is a lateral perspective view of a rear portion a large caliber firearm equipped with a rear sight and sight mount according the present invention;

FIG. 2 is a plan view of a bottom side of the rear sight and sight mount shown in FIG. 1 removed from the firearm environment;

FIG. 3 is an elevation view of a right side of the rear sight and sight mount shown in FIG. 1;

FIG. 4 is a top plan view of the rear sight and sight mount shown in FIG. 1;

FIG. 5 is an elevation view of a rear side of the rear sight and sight mount shown in FIG. 1;

FIG. 6 is an elevation view of a front side of the rear sight and sight mount shown in FIG. 1;

FIG. 7 is a top plan view of a rear sight and sight mount according to another embodiment of the invention;

FIG. 8 is an elevation view of a right side of the rear sight and sight mount shown in FIG. 7;

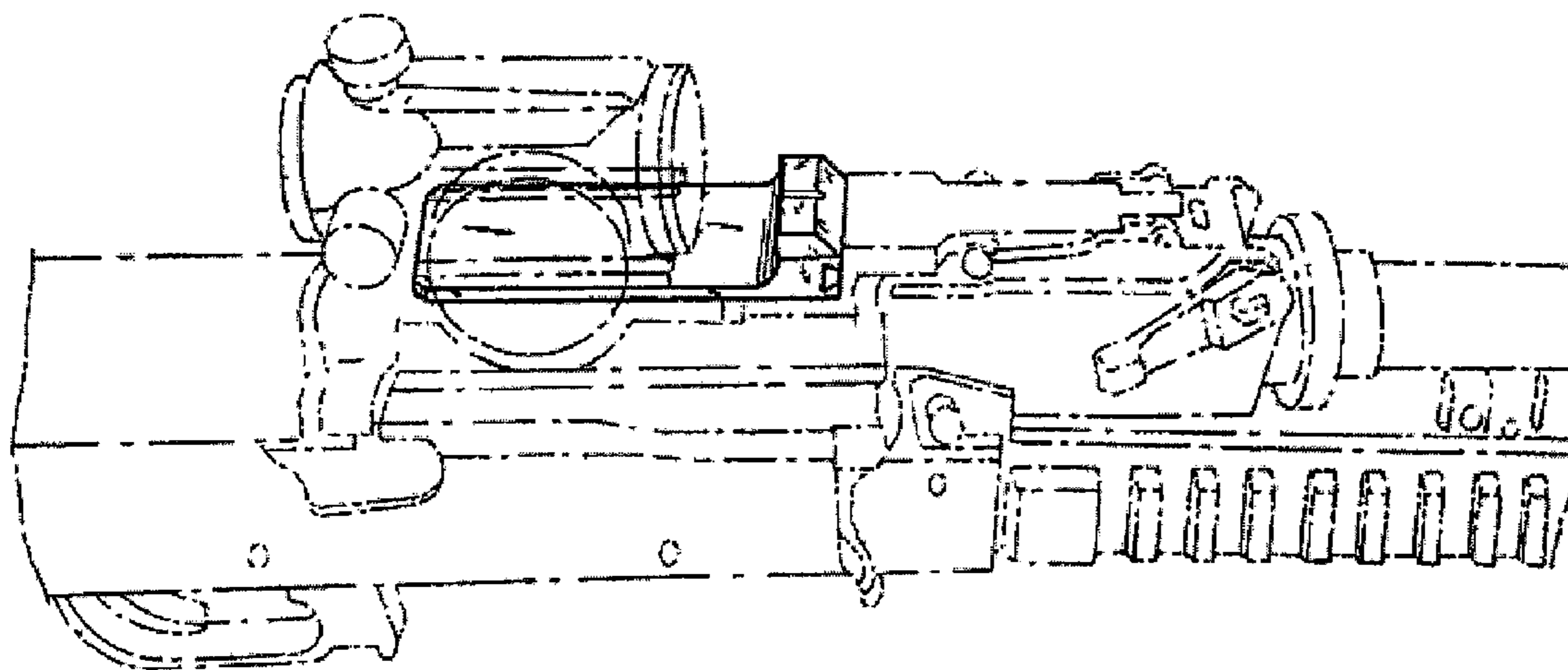
FIG. 9 is a bottom plan view of the rear sight and sight mount shown in FIG. 7;

FIG. 10 is an elevation view of a rear side of the rear sight and sight mount shown in FIG. 7; and,

FIG. 11 is an elevation view of a front side of the rear sight and sight mount shown in FIG. 7.

The broken lines are for illustrative purposes and represent environmental structure and unclaimed portions of the invention and therefore form no part of the claimed design.

**1 Claim, 3 Drawing Sheets**



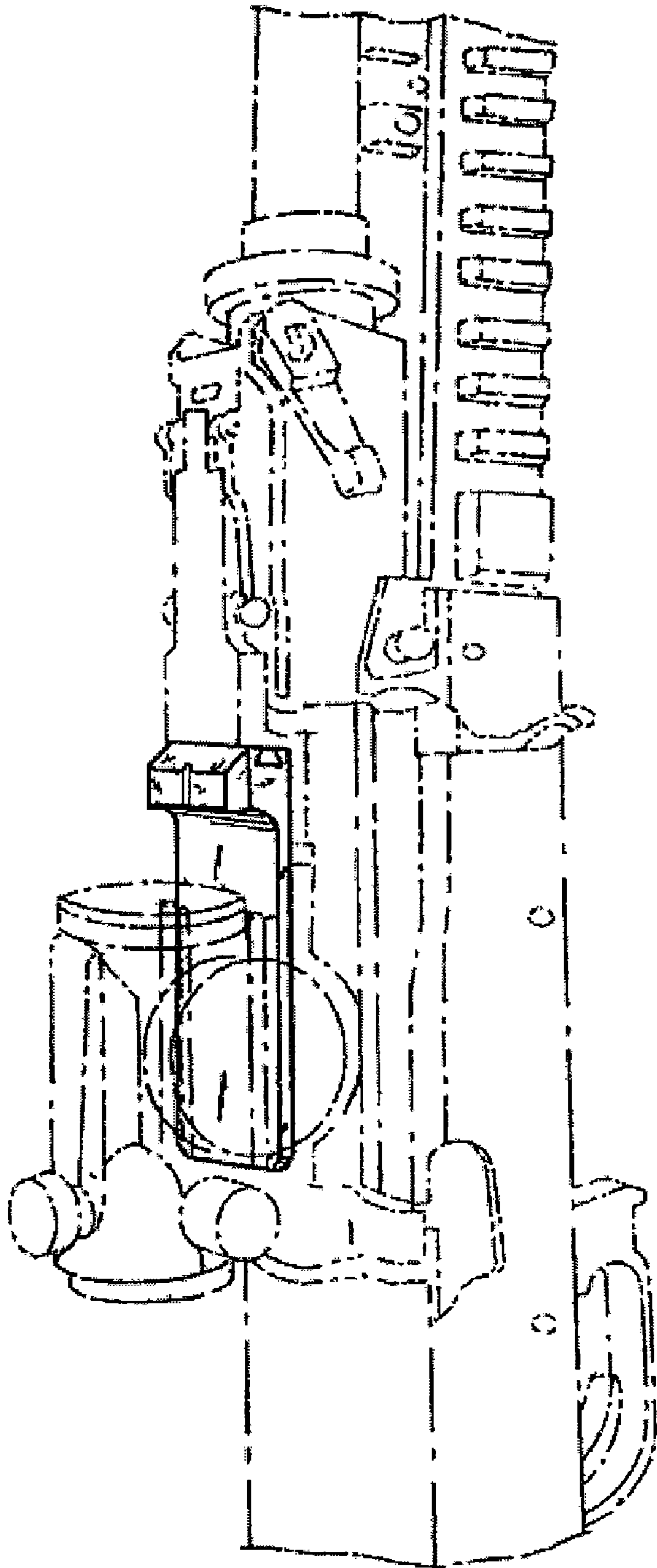


FIG. 1

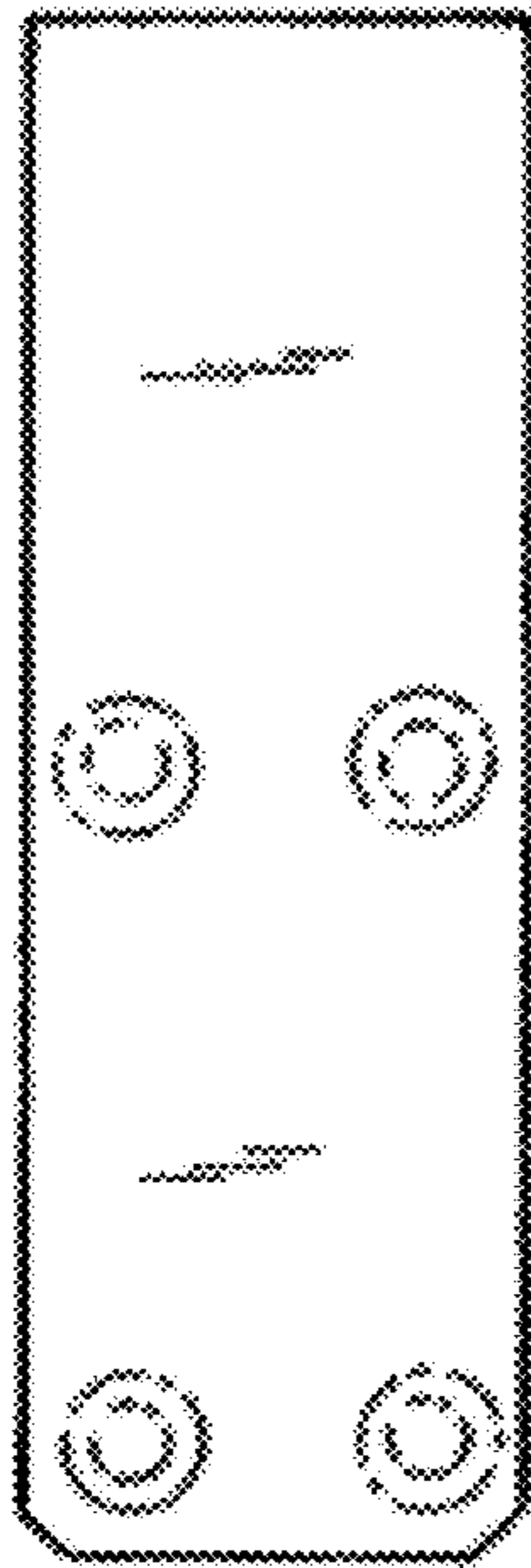


FIG. 2



FIG. 6



FIG. 3



FIG. 5

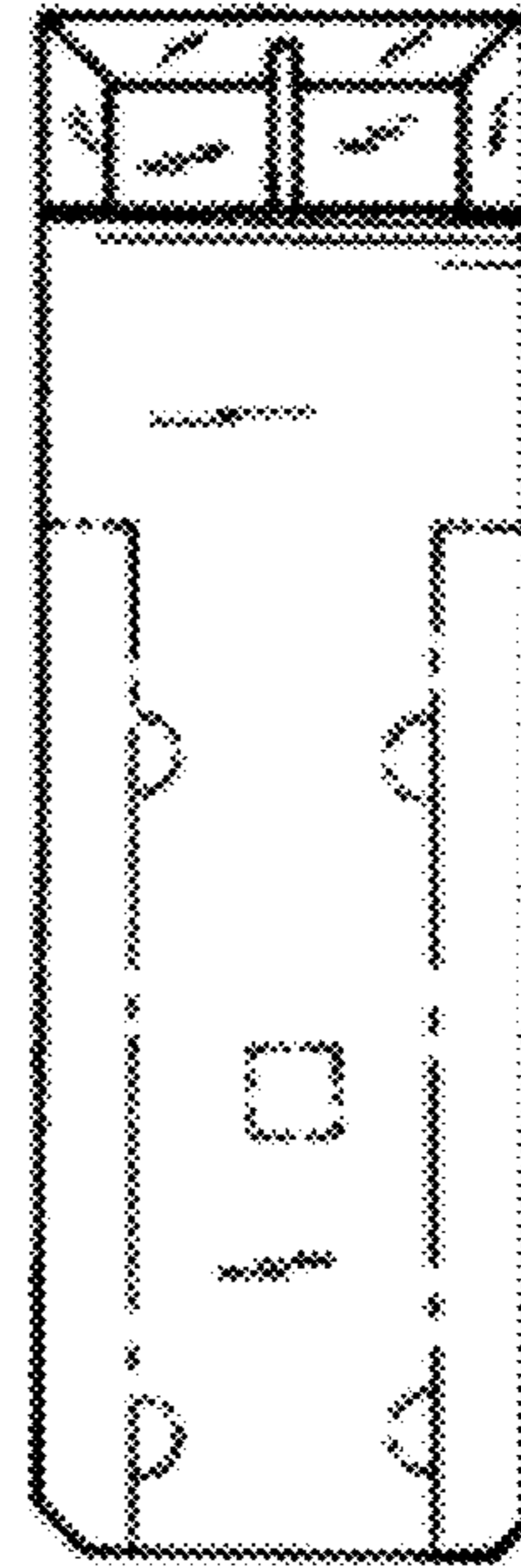


FIG. 4



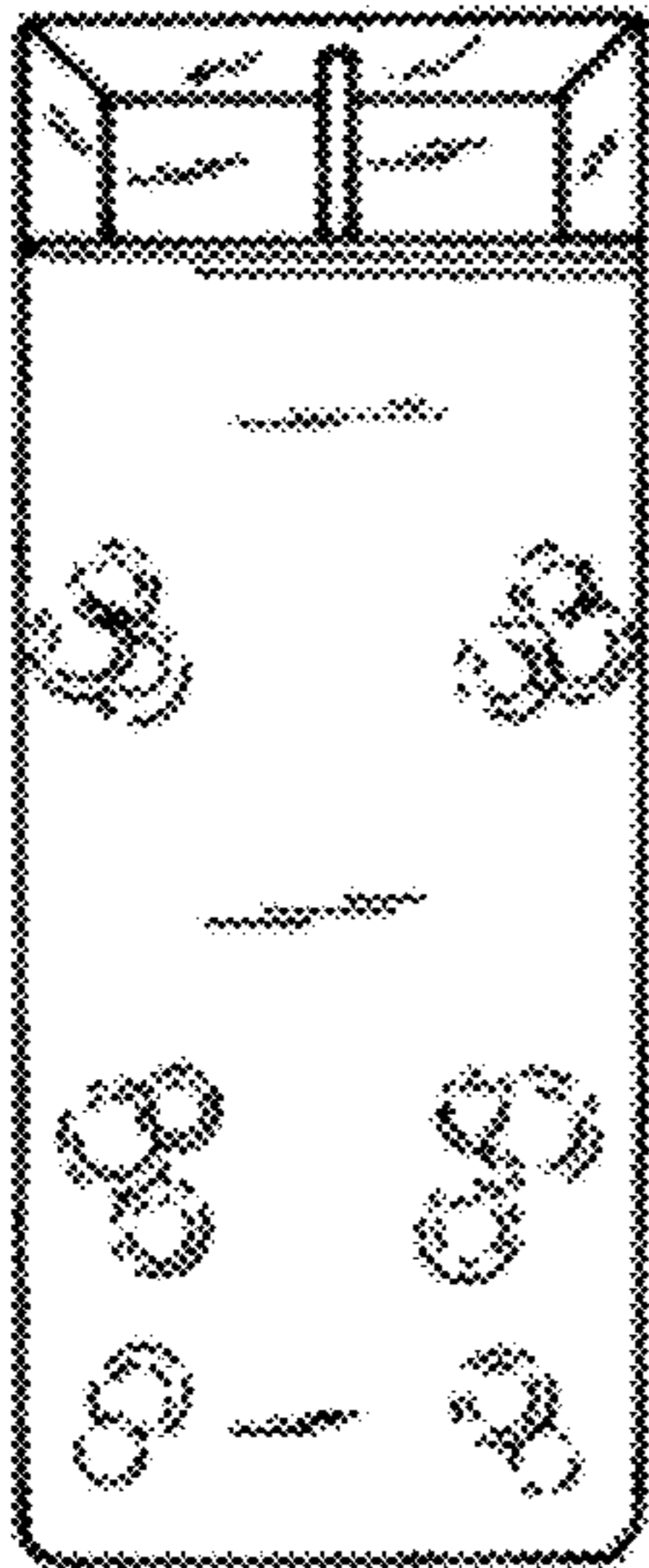


FIG. 7



FIG. 8

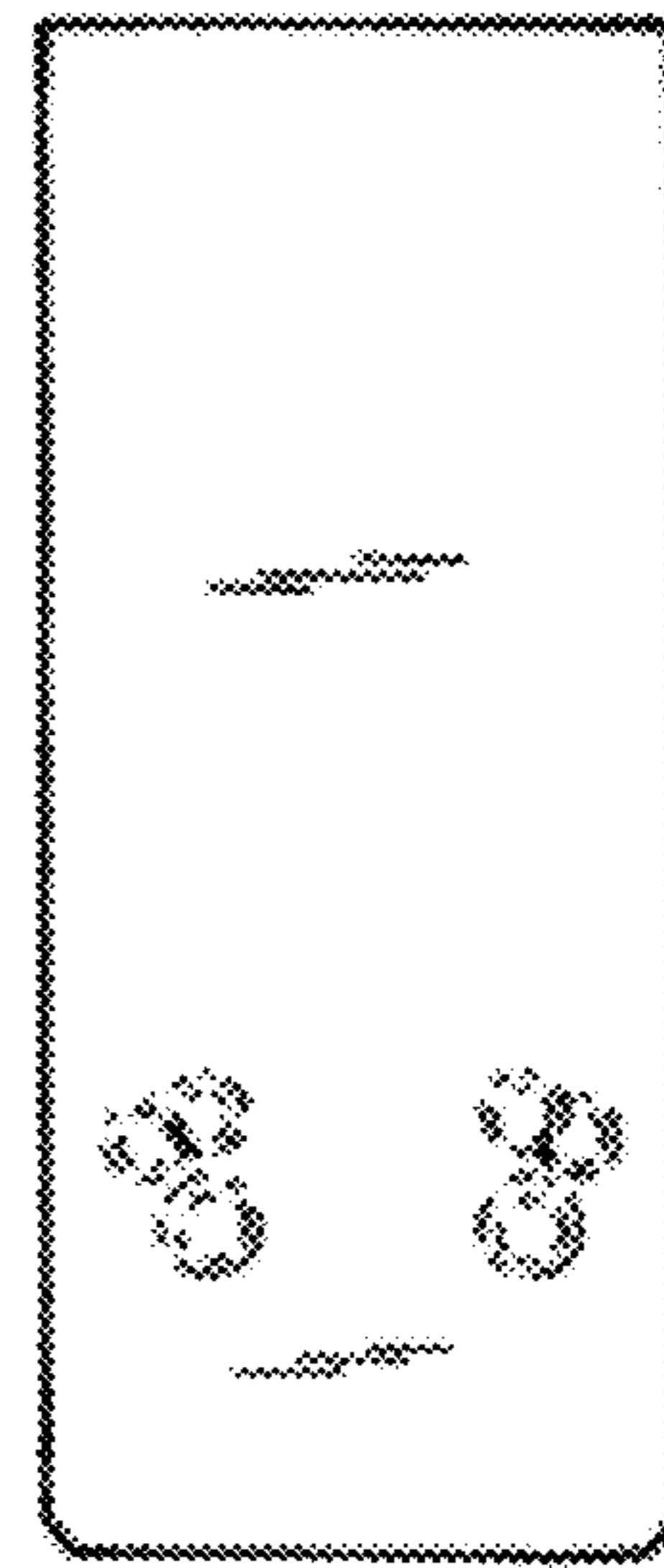


FIG. 9



FIG. 10

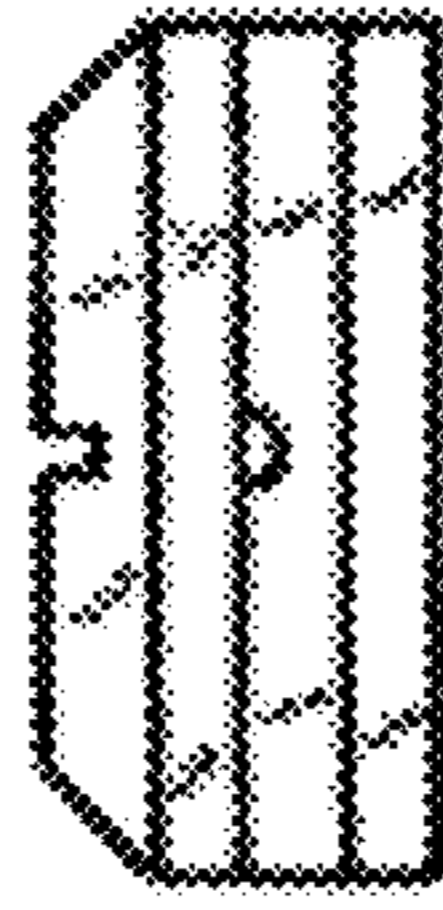


FIG. 11