

US00D665862S

(12) **United States Design Patent**
Nunez

(10) **Patent No.:** **US D665,862 S**

(45) **Date of Patent:** **** Aug. 21, 2012**

(54) **BASEBALL TEE**

(76) **Inventor:** **Joel S. Nunez**, Garfield, NJ (US)

(**) **Term:** **14 Years**

(21) **Appl. No.:** **29/374,660**

(22) **Filed:** **Sep. 19, 2011**

(51) **LOC (9) Cl.** **21-02**

(52) **U.S. Cl.** **D21/715**

(58) **Field of Classification Search** D21/715-721,
D21/780; 473/415-504

See application file for complete search history.

D627,411 S * 11/2010 Windsor D21/780
D638,079 S * 5/2011 Cheng D21/717
2010/0056306 A1* 3/2010 Chen 473/417
2011/0136593 A1* 6/2011 Keller et al. 473/417
2011/0183782 A1* 7/2011 Wang 473/417

* cited by examiner

Primary Examiner — Catherine Tuttle

(74) *Attorney, Agent, or Firm* — Richard L. Mikesell

(57) **CLAIM**

The ornamental design for a baseball tee, as shown and described.

DESCRIPTION

FIG. 1 is a top right perspective view of the baseball tee showing my new design;

FIG. 2 is a right side elevational view thereof;

FIG. 3 is a left side elevational view thereof;

FIG. 4 is a rear elevational view thereof;

FIG. 5 is a front elevational view thereof;

FIG. 6 is a top plan view thereof; and

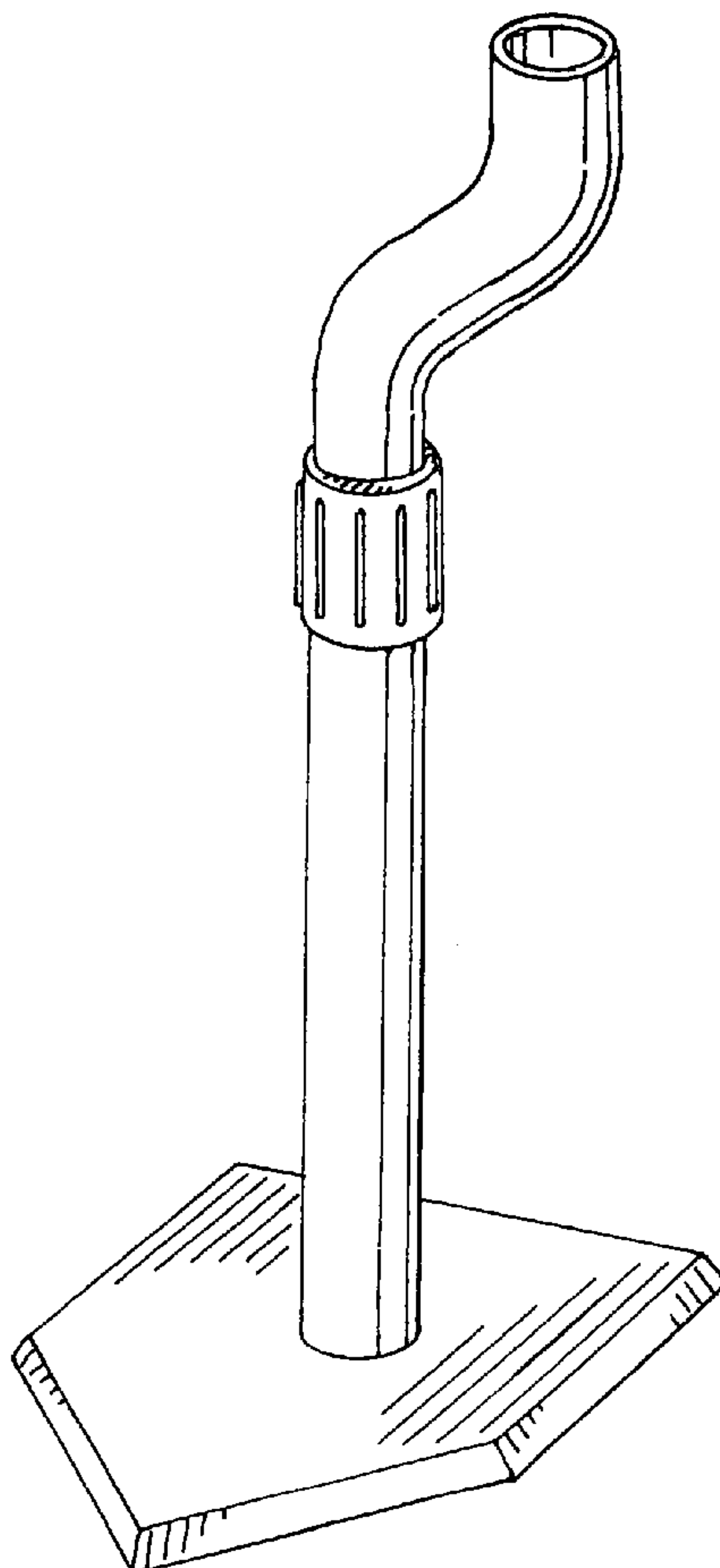
FIG. 7 is a bottom plan view thereof.

(56) **References Cited**

U.S. PATENT DOCUMENTS

4,575,080	A *	3/1986	Miles	473/418
D321,545	S *	11/1991	Myers	D21/715
5,386,987	A *	2/1995	Rodino, Jr.	473/417
5,556,091	A *	9/1996	Lin	473/417
5,580,047	A *	12/1996	Shih et al.	473/417
5,893,806	A *	4/1999	Martinez	473/447
D430,243	S *	8/2000	Alberti et al.	D21/715
D430,629	S *	9/2000	Alberti	D21/719

1 Claim, 3 Drawing Sheets



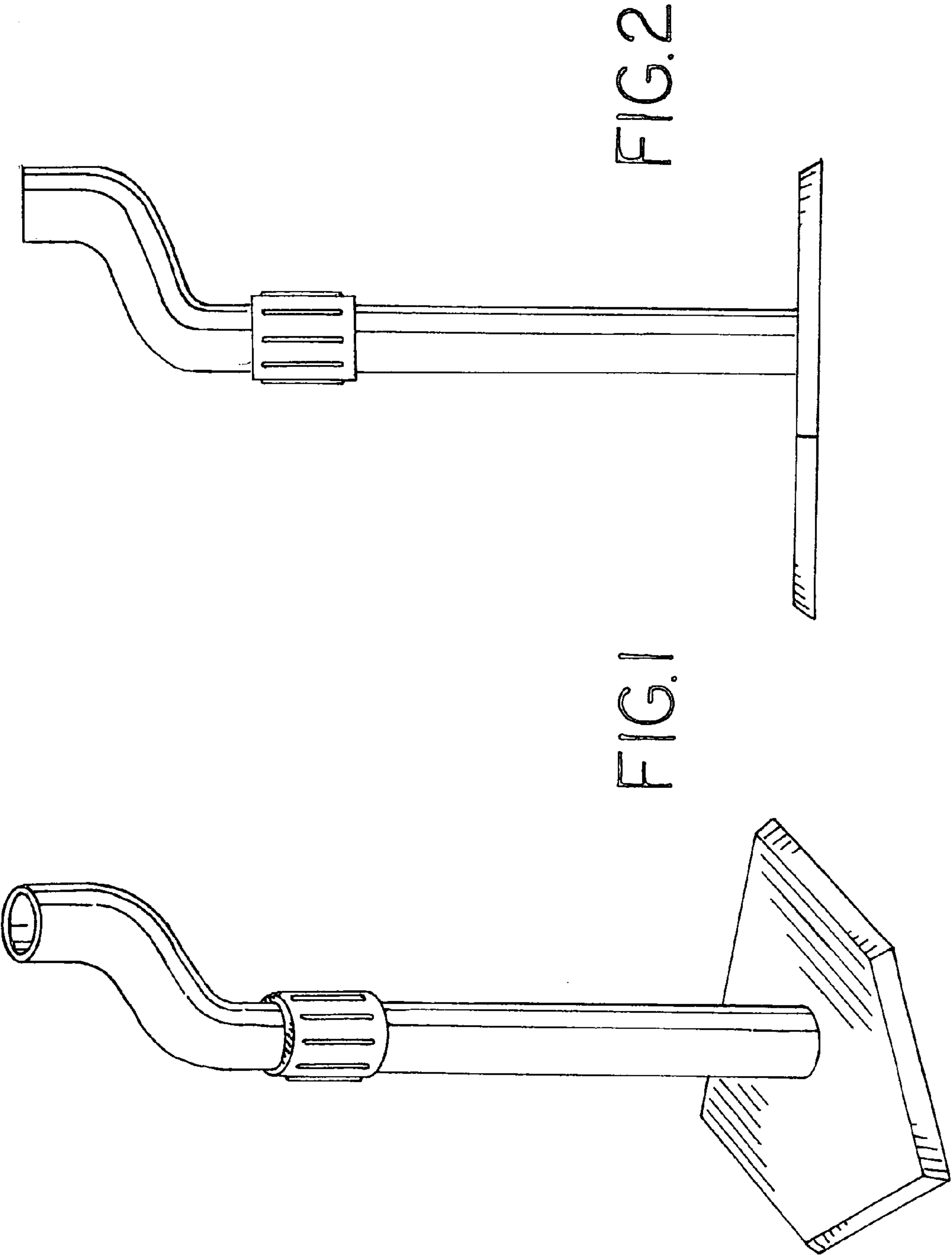


FIG. 2

FIG. 1

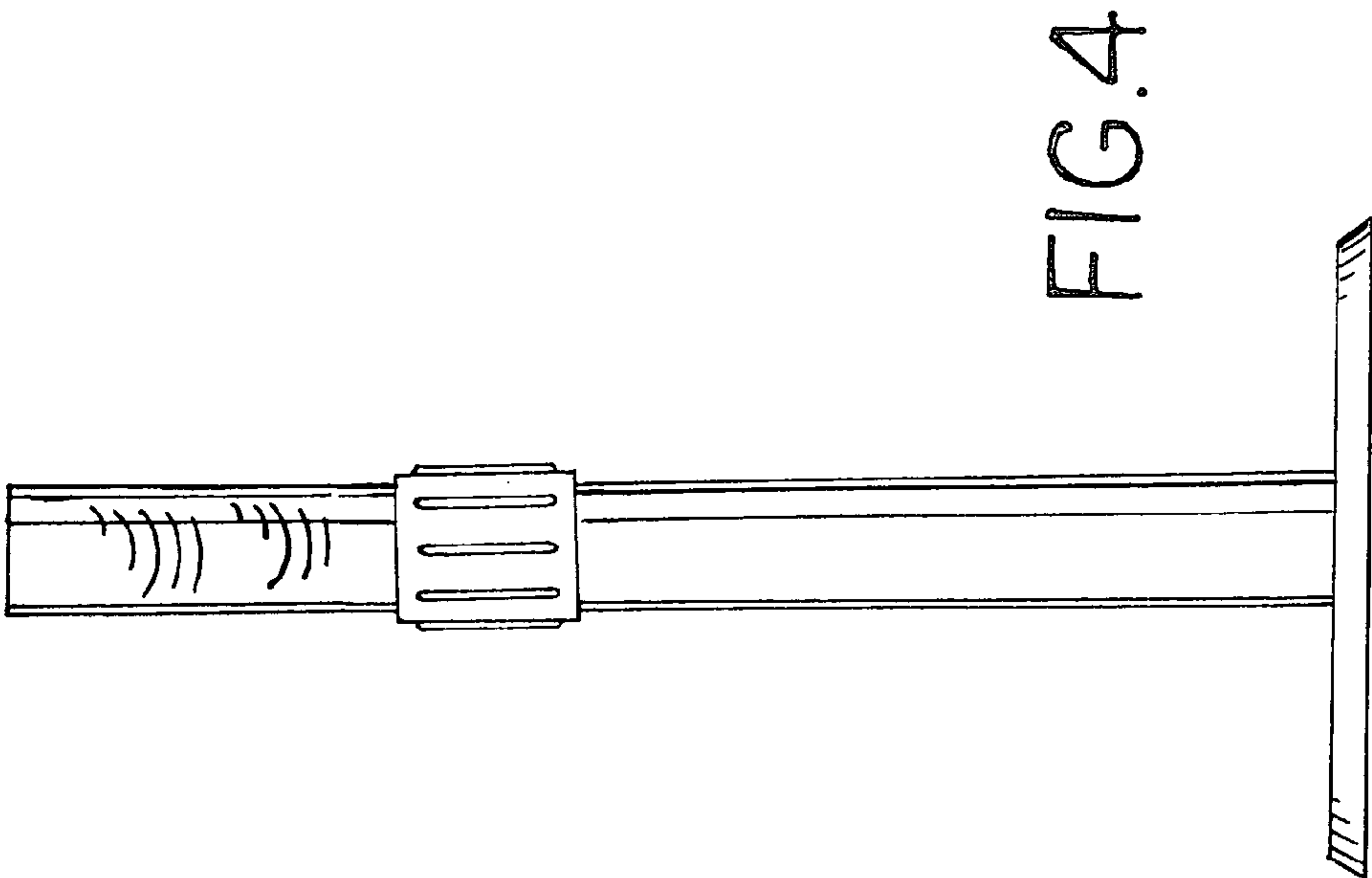


FIG. 4

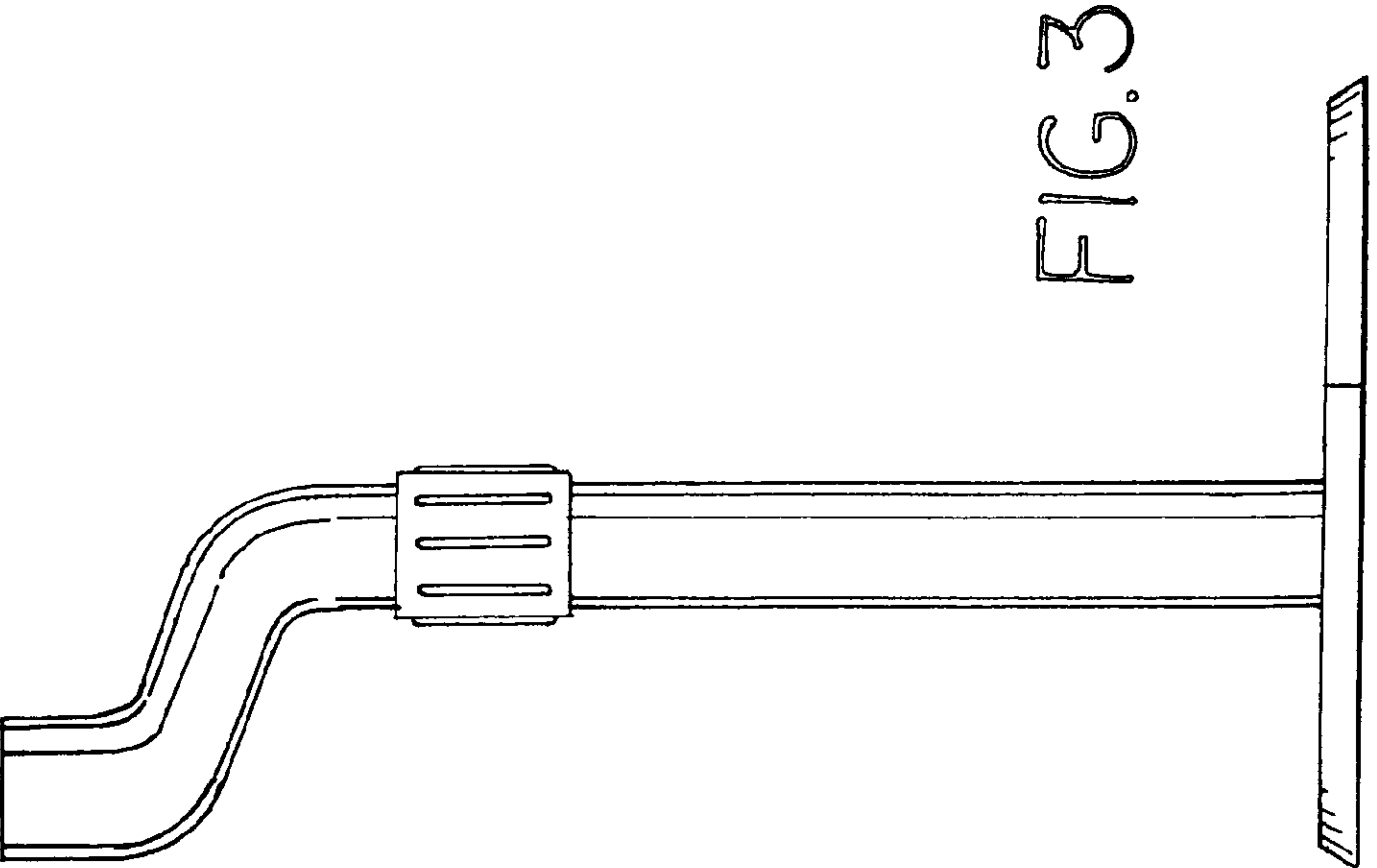


FIG. 3

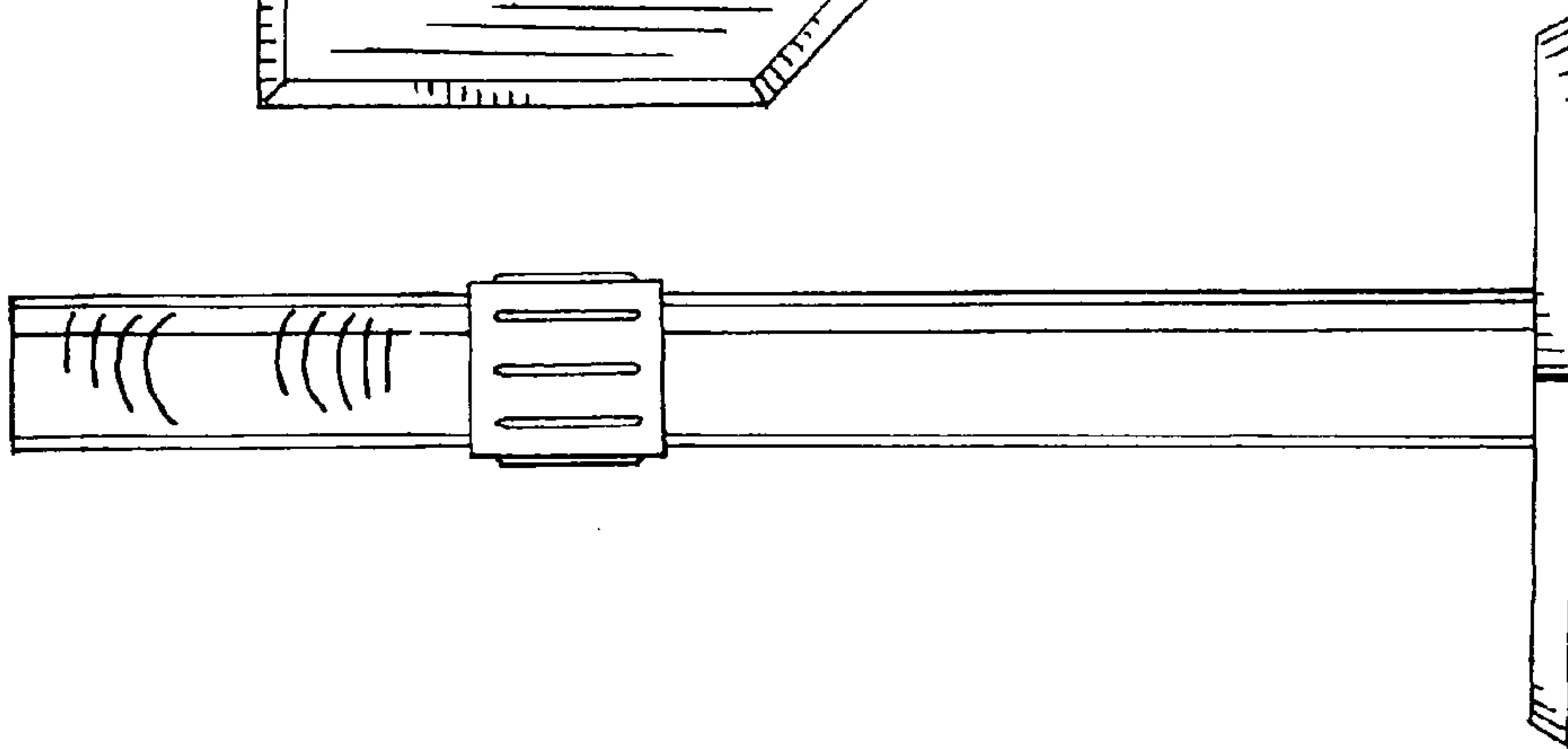


FIG. 5

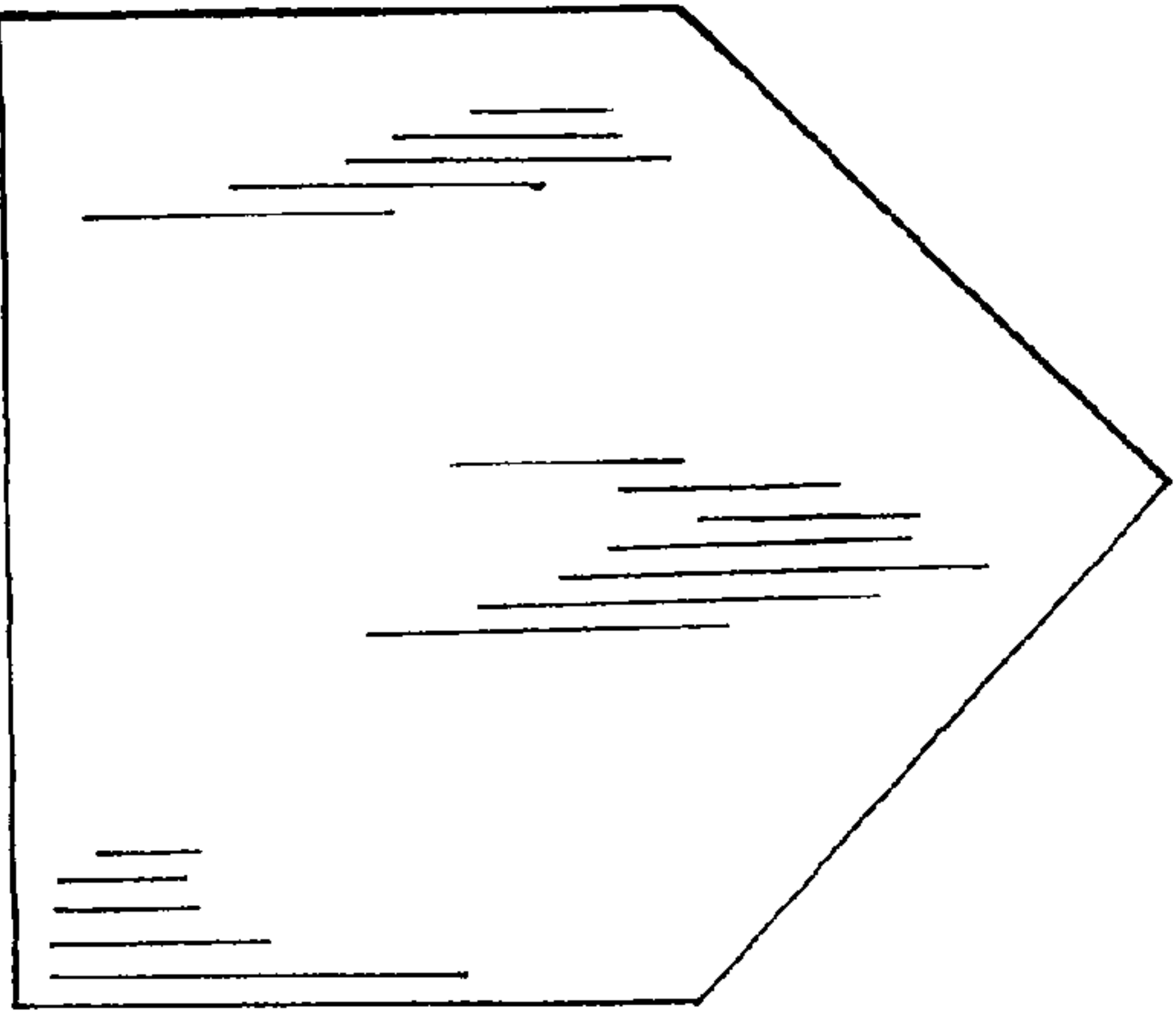


FIG. 7

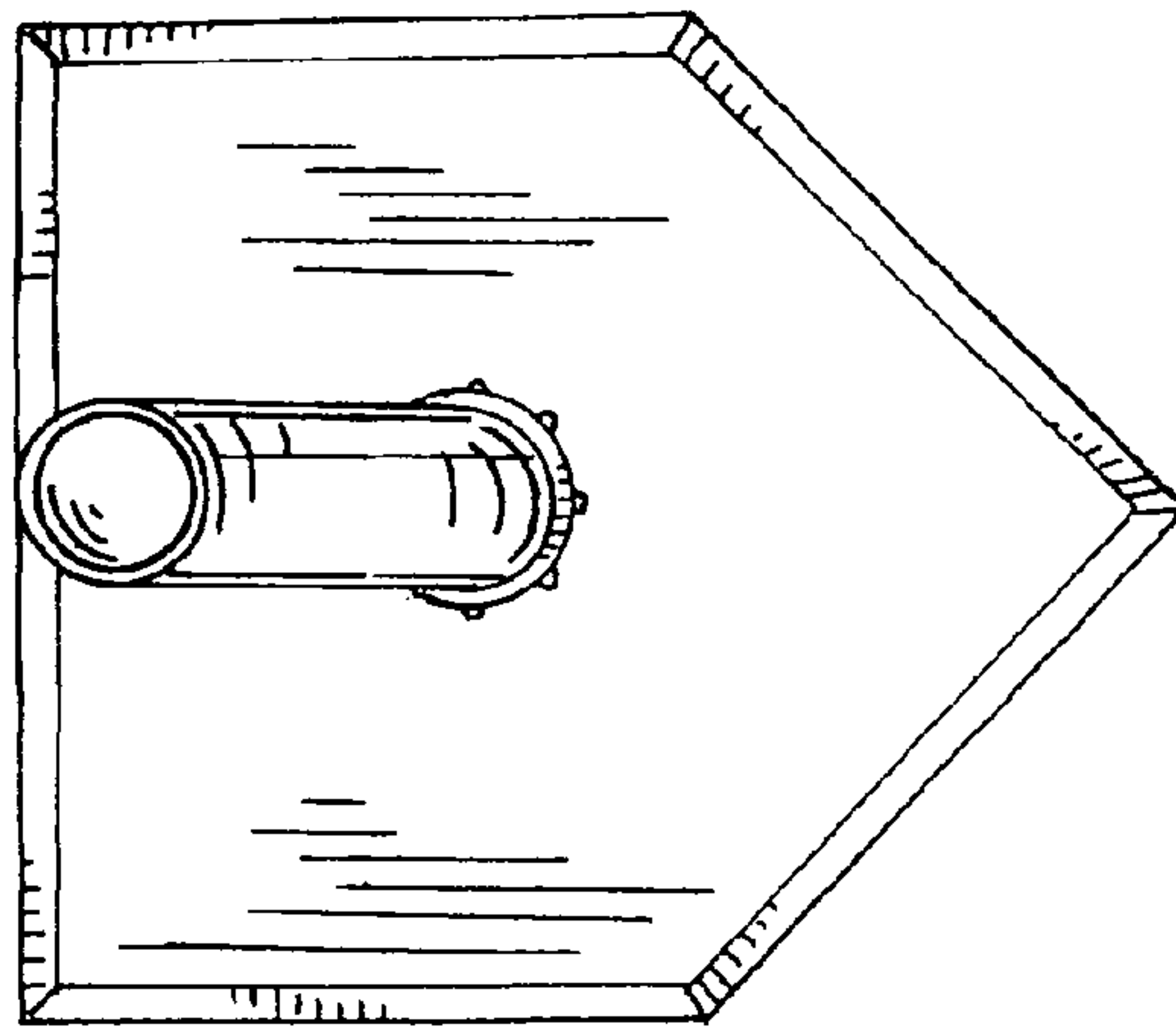


FIG. 6