

US00D665861S

(12) **United States Design Patent**
Ecsedy

(10) **Patent No.:** **US D665,861 S**

(45) **Date of Patent:** **** Aug. 21, 2012**

(54) **FLEXION FACILITATOR**

(76) Inventor: **Andrea E. Ecsedy**, Redding, CA (US)

(**) Term: **14 Years**

(21) Appl. No.: **29/402,284**

(22) Filed: **Sep. 22, 2011**

(51) **LOC (9) Cl.** **21-02**

(52) **U.S. Cl.** **D21/694**

(58) **Field of Classification Search** D21/662,
D21/691, 692, 694, 797, 814, 826; 482/23-25,
482/35, 37-38, 42, 93, 109, 145, 148
See application file for complete search history.

(56) **References Cited**

U.S. PATENT DOCUMENTS

3,211,452	A *	10/1965	Ahrens	482/35
4,046,373	A *	9/1977	Kim	482/42
4,607,840	A *	8/1986	Harper	482/109
D301,270	S *	5/1989	Levenston	D21/691
4,986,535	A *	1/1991	Hull et al.	482/93
5,074,549	A *	12/1991	Harvey	482/148
5,306,220	A *	4/1994	Kearney	482/94
D347,041	S *	5/1994	Calderone	D21/694
D354,780	S *	1/1995	Endelman	D21/694
D354,781	S *	1/1995	Endelman	D21/694

D376,186	S *	12/1996	Penney	D21/814
6,406,002	B1 *	6/2002	Hardy et al.	256/24
D566,800	S *	4/2008	St. Jules	D21/691

* cited by examiner

Primary Examiner — Susan E Krakower

(74) *Attorney, Agent, or Firm* — Jerry Haynes Law

(57) **CLAIM**

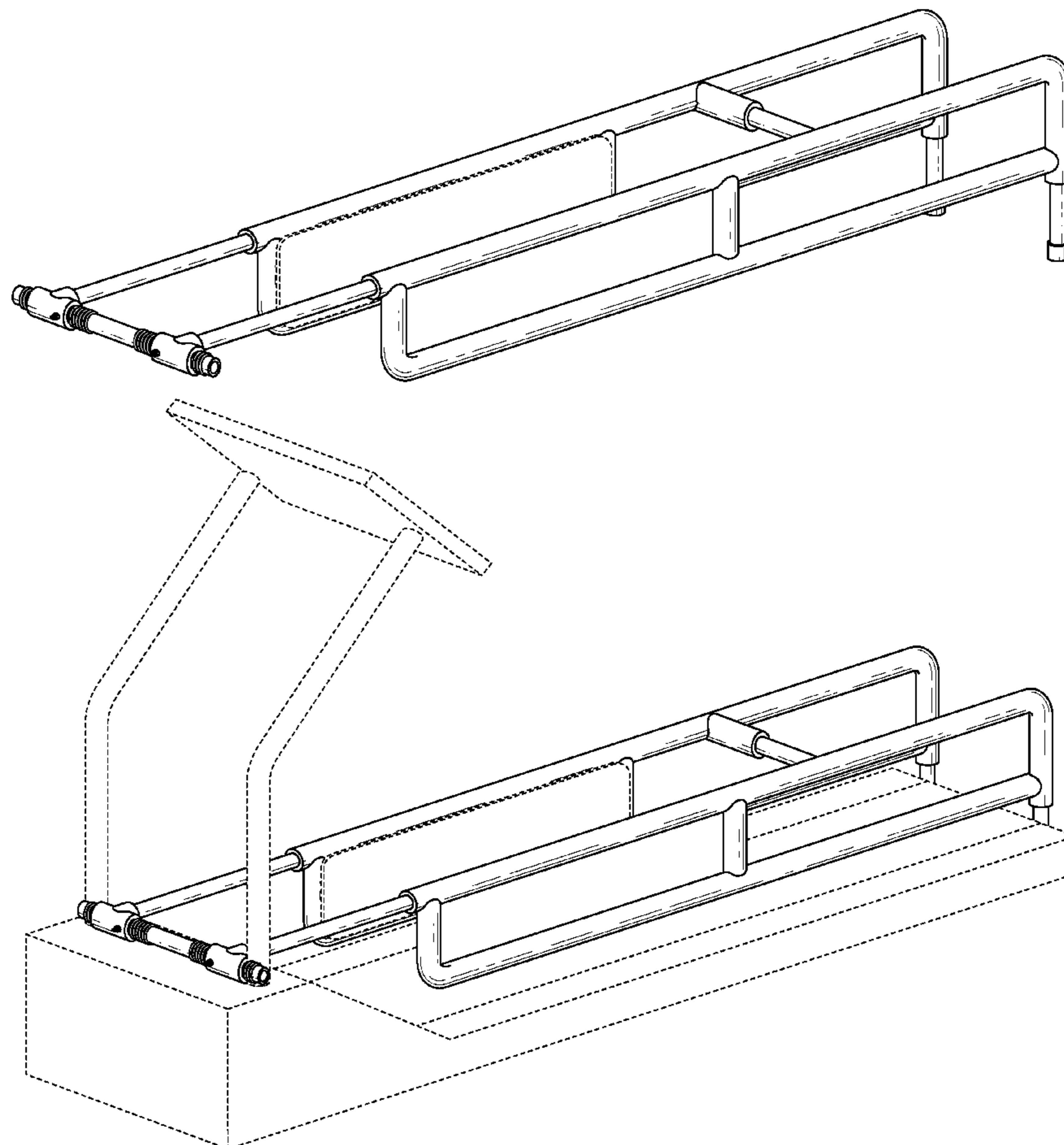
The ornamental design for a flexion facilitator, as shown and described.

DESCRIPTION

FIG. 1 is a front perspective view of a flexion facilitator showing the new design;
FIG. 2 is a front view thereof;
FIG. 3 is a back view thereof;
FIG. 4 is a left side view thereof;
FIG. 5 is right side view thereof;
FIG. 6 is a top view thereof;
FIG. 7 is a bottom view thereof; and,
FIG. 8 is a front perspective view thereof, shown in condition of use.

The broken lines illustrate environmental structure and form no part of the claimed design.

1 Claim, 4 Drawing Sheets



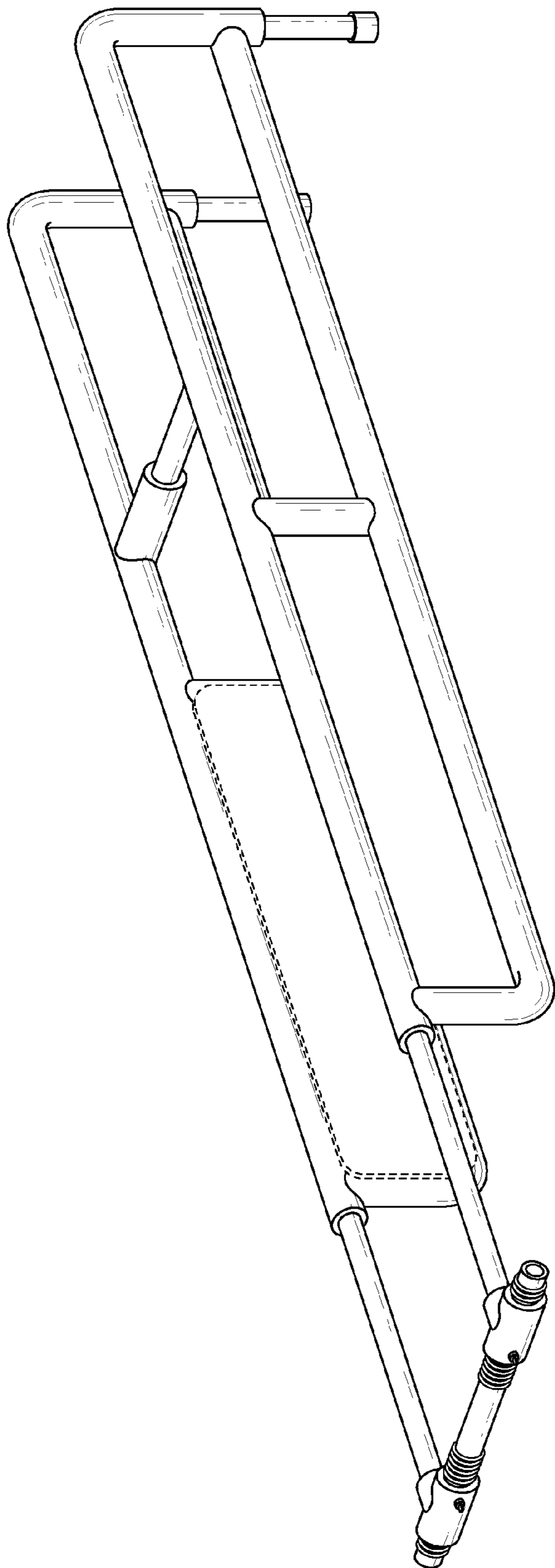


FIG. 1

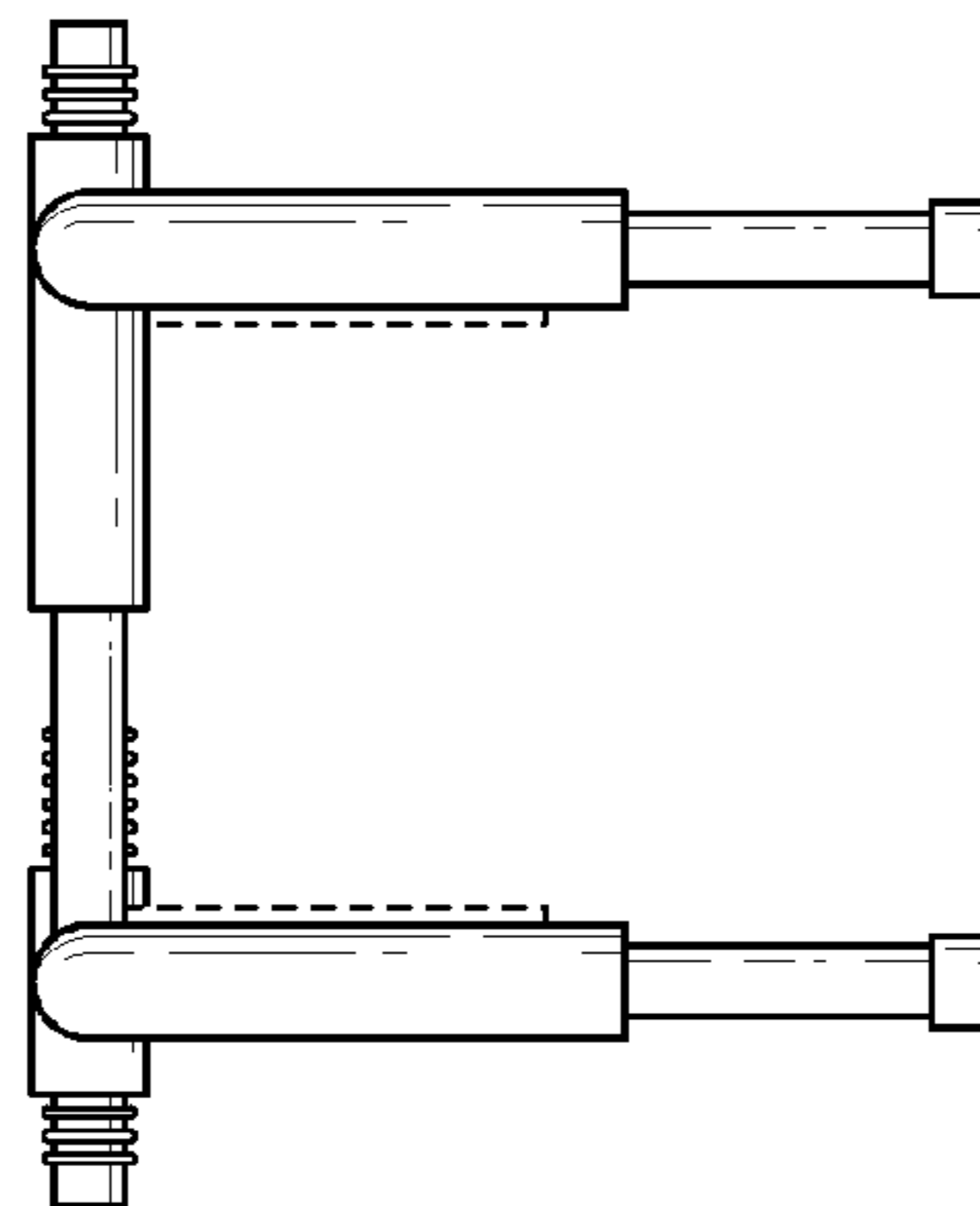


FIG. 2

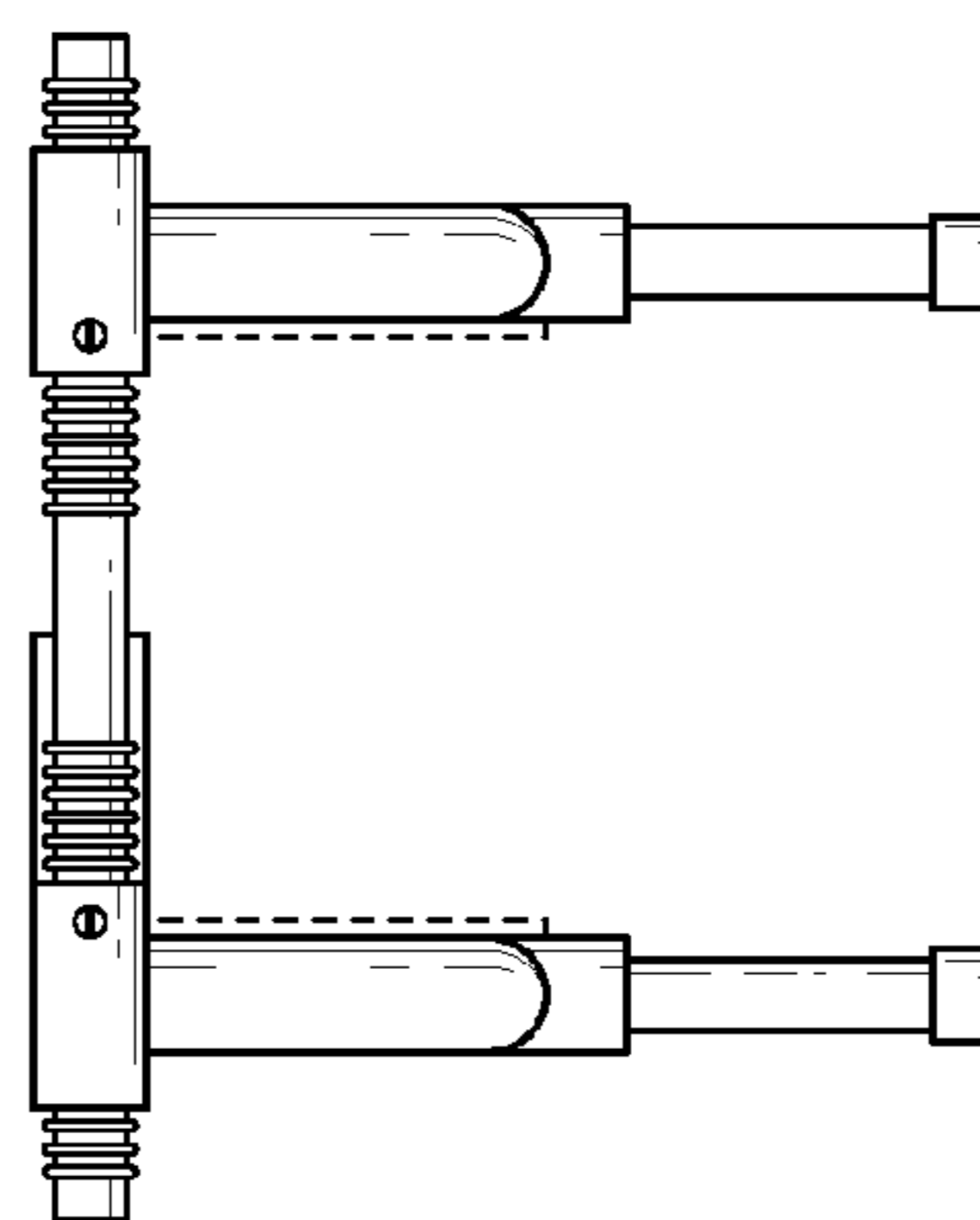


FIG. 3

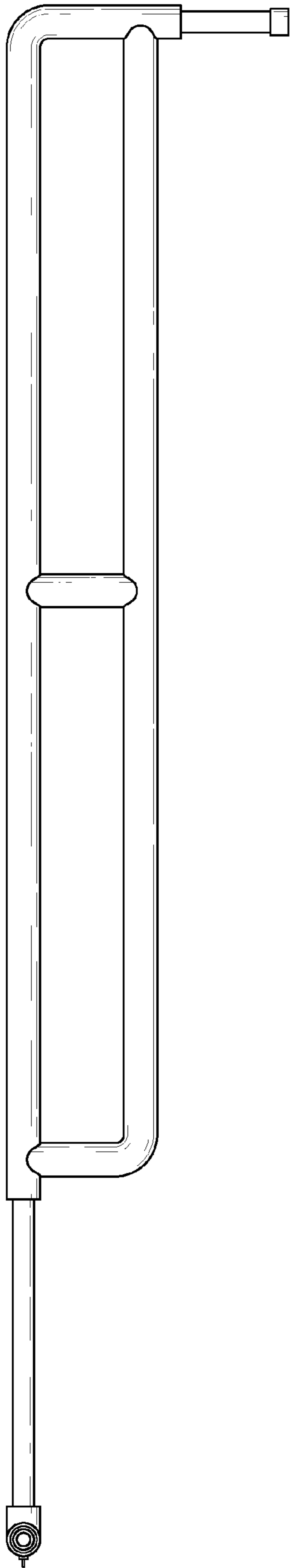


FIG. 4

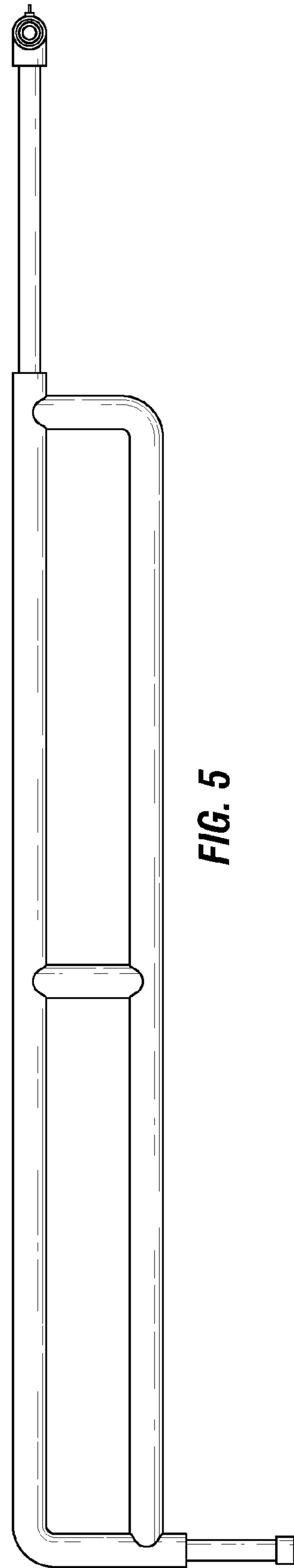


FIG. 5

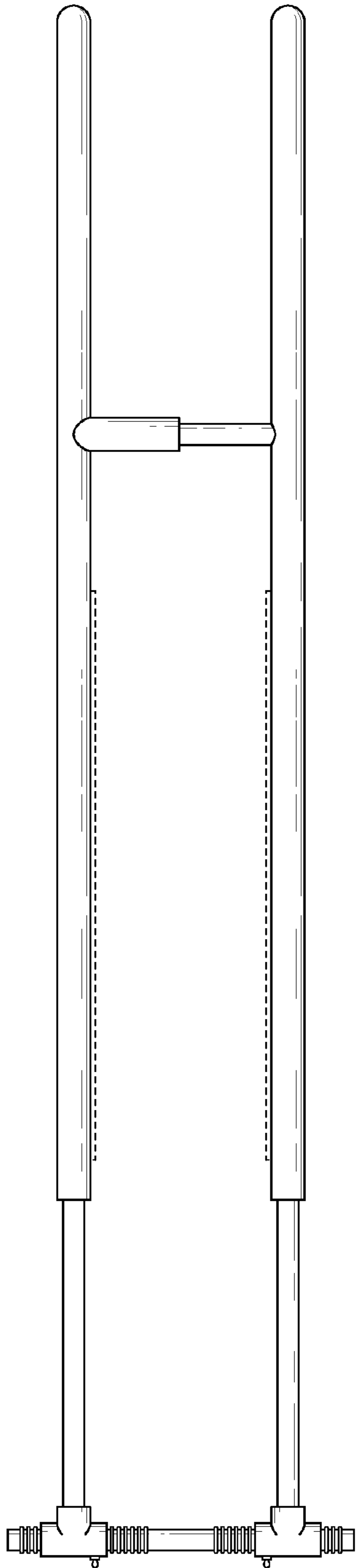


FIG. 6

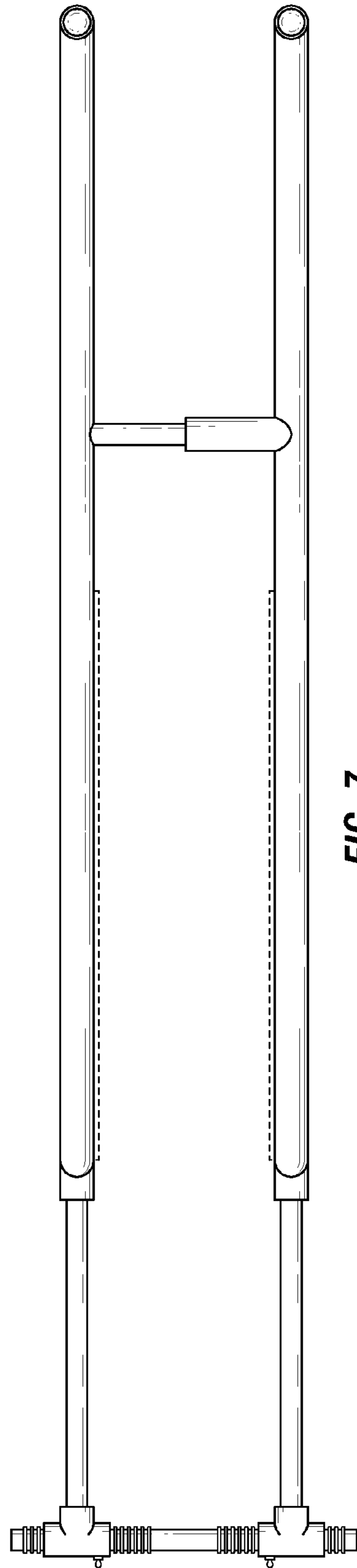


FIG. 7

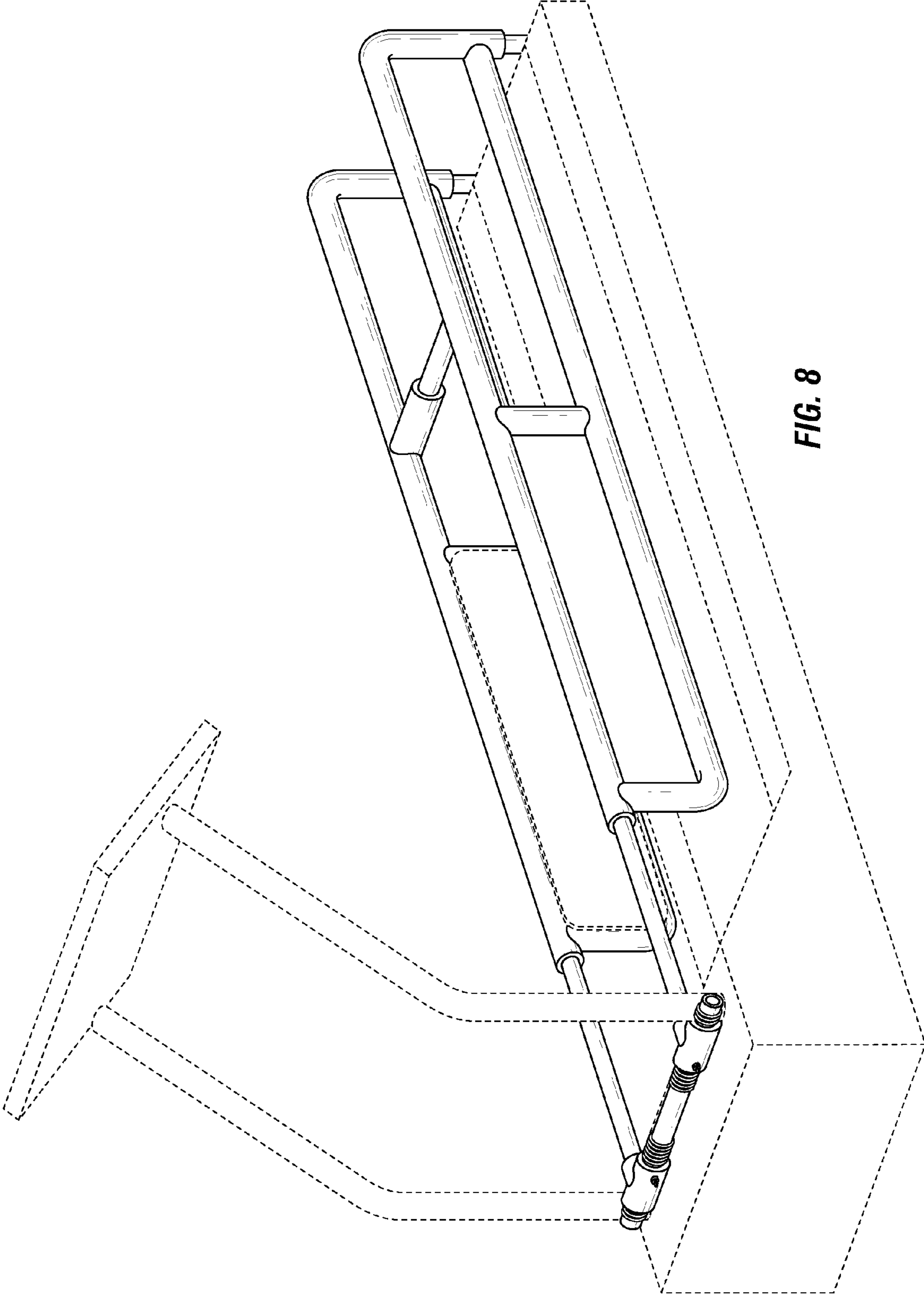


FIG. 8