

US00D665860S

(12) **United States Design Patent**
Lovegrove et al.

(10) **Patent No.:** **US D665,860 S**

(45) **Date of Patent:** **** Aug. 21, 2012**

(54) **HUB FOR A WEIGHT TRAINING DEVICE**

(75) Inventors: **David Neil Lovegrove**, Christchurch (NZ); **Darryl John Best**, Christchurch (NZ); **William Davies**, Devon (GB); **Tyrone David Low**, Wanganui (NZ)

(73) Assignee: **Les Mills International Limited**, Auckland (NZ)

(**) Term: **14 Years**

(21) Appl. No.: **29/386,230**

(22) Filed: **Feb. 25, 2011**

(30) **Foreign Application Priority Data**

Aug. 27, 2010 (NZ) 413971

(51) **LOC (9) Cl.** **21-02**

(52) **U.S. Cl.** **D21/694; D24/199; D8/394**

(58) **Field of Classification Search** D21/662, D21/680, 681, 682, 694; D24/194, 195, D24/199; D19/55, 65, 86, 90; D8/394, 395; D6/547; 482/93, 94, 105, 106, 107, 108; 24/499, 504, 536, 537, 564
See application file for complete search history.

(56) **References Cited**

U.S. PATENT DOCUMENTS

1,962,186	A *	6/1934	Finkbeiner	24/504
2,231,883	A *	2/1941	Caccivio	211/32
3,914,828	A *	10/1975	Noda	24/504
4,029,312	A	6/1977	Wright	
4,086,686	A *	5/1978	Takabayashi	24/504
4,141,119	A *	2/1979	Nodo	24/504
D274,283	S	6/1984	Wright	
4,632,391	A	12/1986	Orak	
4,765,037	A *	8/1988	Perry	24/301
D302,195	S	7/1989	Orak	

D302,506	S *	8/1989	Hammond et al.	D6/547
D302,568	S *	8/1989	Berger	D19/65
4,854,575	A	8/1989	Wilson et al.	
5,421,797	A	6/1995	Fletcher	
D360,222	S *	7/1995	Tam	D19/55
5,632,709	A *	5/1997	Walsh	482/105
5,692,944	A	12/1997	Pellicone	
5,749,814	A *	5/1998	Chen	482/93
D405,828	S *	2/1999	Richter	D19/65
D438,265	S	2/2001	Fenelon	
D439,202	S *	3/2001	Takabayashi	D11/215

(Continued)

Primary Examiner — Susan E Krakower

(74) *Attorney, Agent, or Firm* — Kilpatrick Townsend & Stockton LLP

(57) **CLAIM**

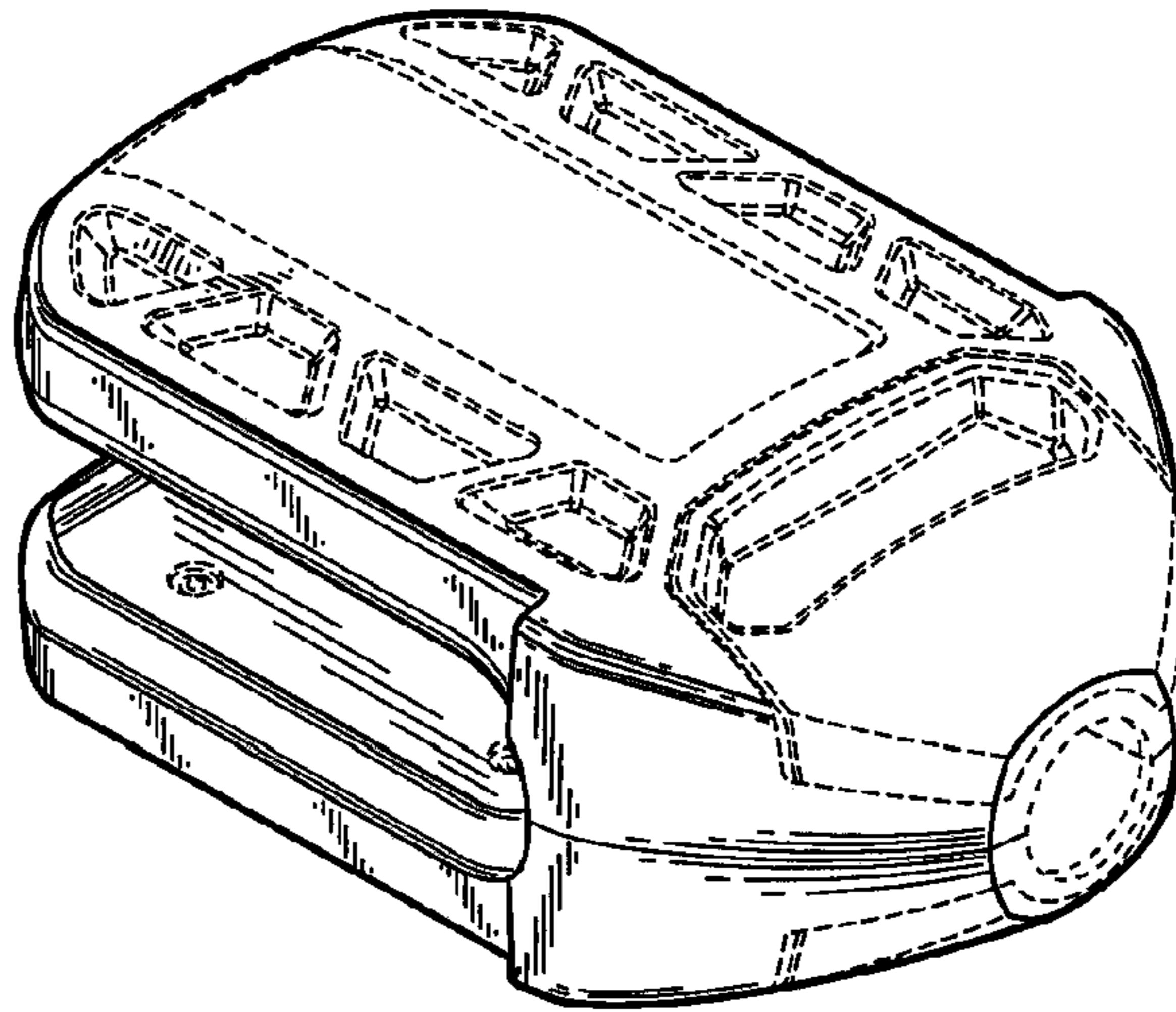
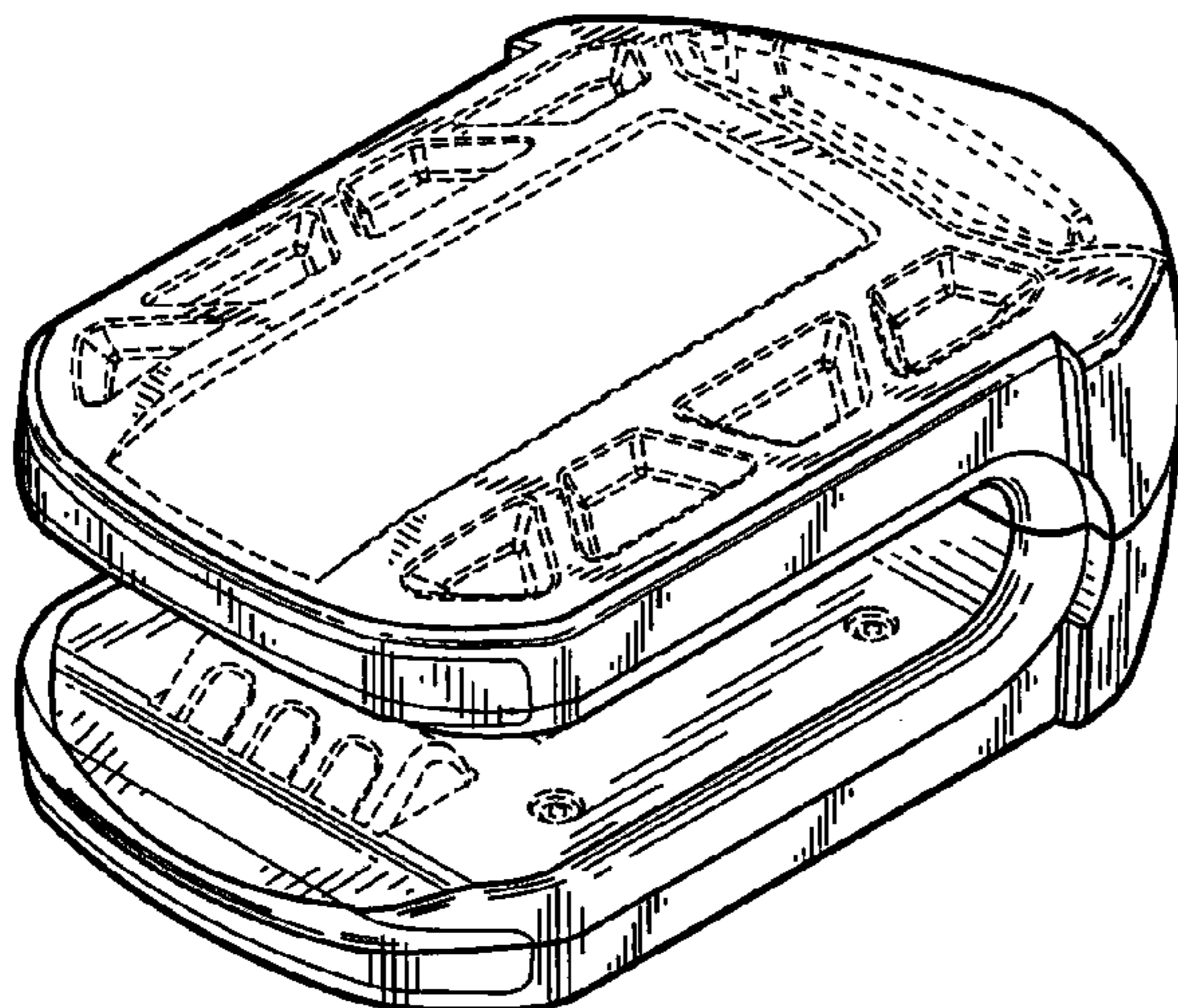
The ornamental design for a hub for a weight training device, as shown and described.

DESCRIPTION

FIG. 1 is a front side perspective view of the hub for a weight training device as seen from above;
FIG. 2 is a back side perspective view of the hub for a weight training device as seen from above;
FIG. 3 is a bottom view of the hub for a weight training device;
FIG. 4 is a left side view of the hub for a weight training device;
FIG. 5 is a back view of the hub for a weight training device;
FIG. 6 is a top view of the hub for a weight training device;
FIG. 7 is a right side view of the top view of the hub for a weight training device; and,
FIG. 8 is a front view of the top view of the hub for a weight training device.

The broken lines illustrate portions of a hub for a weight training device which forms no part of the claimed design.

1 Claim, 3 Drawing Sheets



US D665,860 S

Page 2

U.S. PATENT DOCUMENTS

6,260,244	B1 *	7/2001	Noda	24/499	7,491,155	B2	2/2009	Fenelon et al.	
D461,504	S *	8/2002	Kagel	D19/90	7,878,952	B2	2/2011	Fenelon	
6,461,282	B1	10/2002	Fenelon		D645,969	S *	9/2011	Del Solar et al. D24/194	
D466,438	S *	12/2002	Buettell	D11/200	D651,072	S *	12/2011	Boucher-Gagne et al. D8/394	
6,736,765	B2	5/2004	Wallace et al.		2003/0056344	A1 *	3/2003	Brogdon, III	24/564
6,746,380	B2	6/2004	Lien et al.		2005/0096200	A1	5/2005	Amann	
D492,727	S *	7/2004	Nuttall et al.	D19/65	2006/0073948	A1	4/2006	Lincir	
7,014,598	B2	3/2006	Fenelon et al.		2009/0156376	A1	6/2009	Fenelon et al.	

* cited by examiner

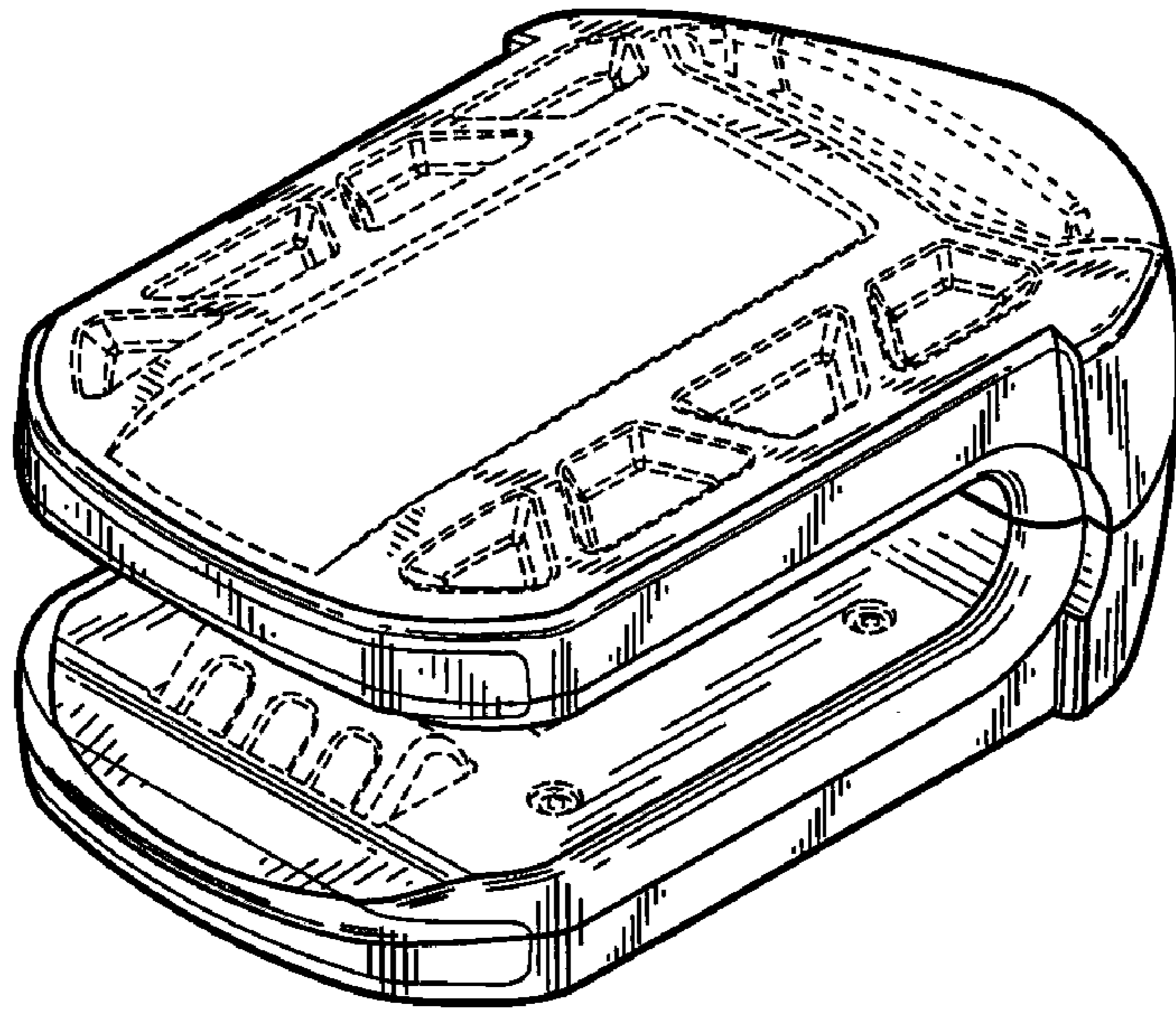


FIG. 1

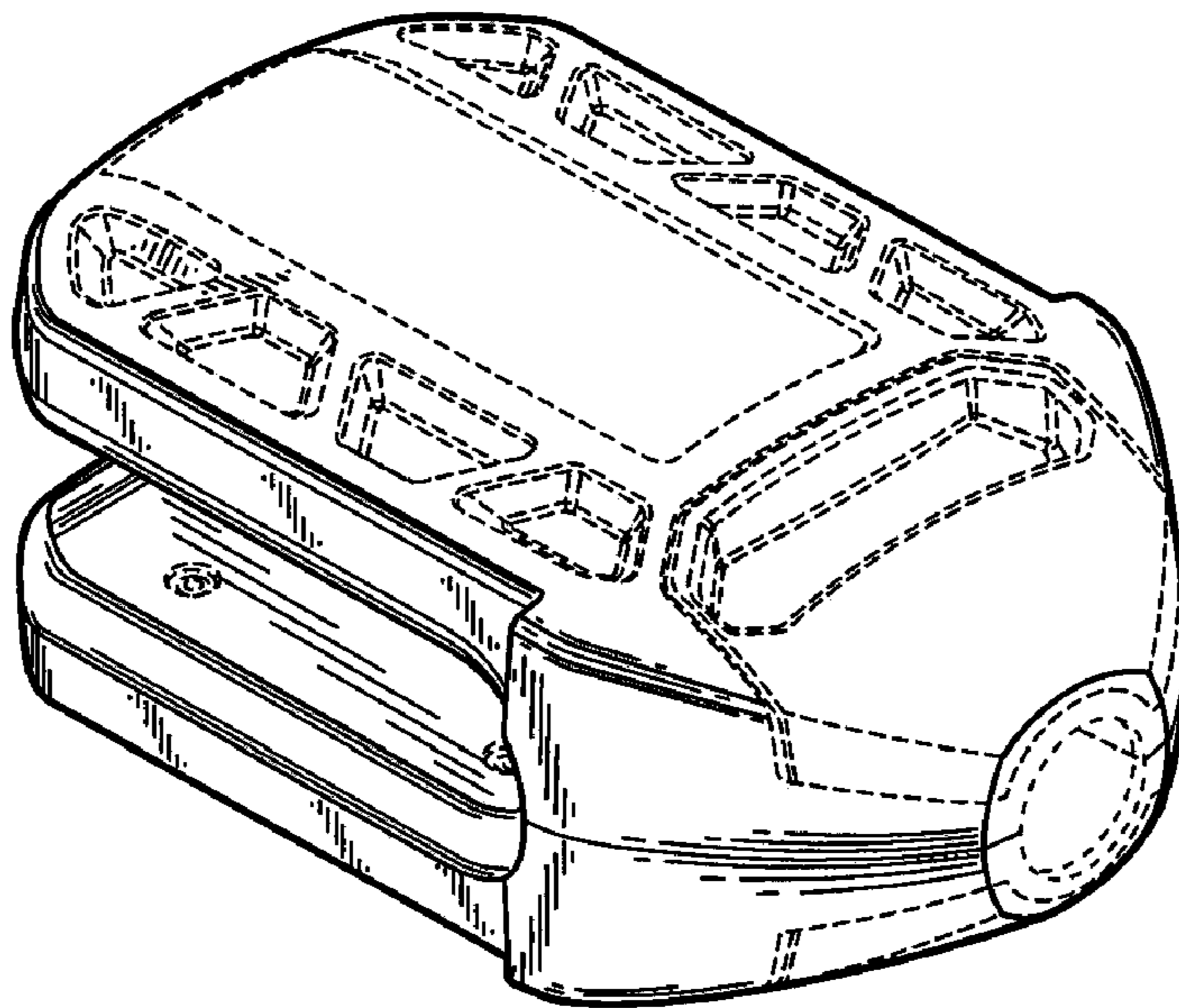


FIG. 2

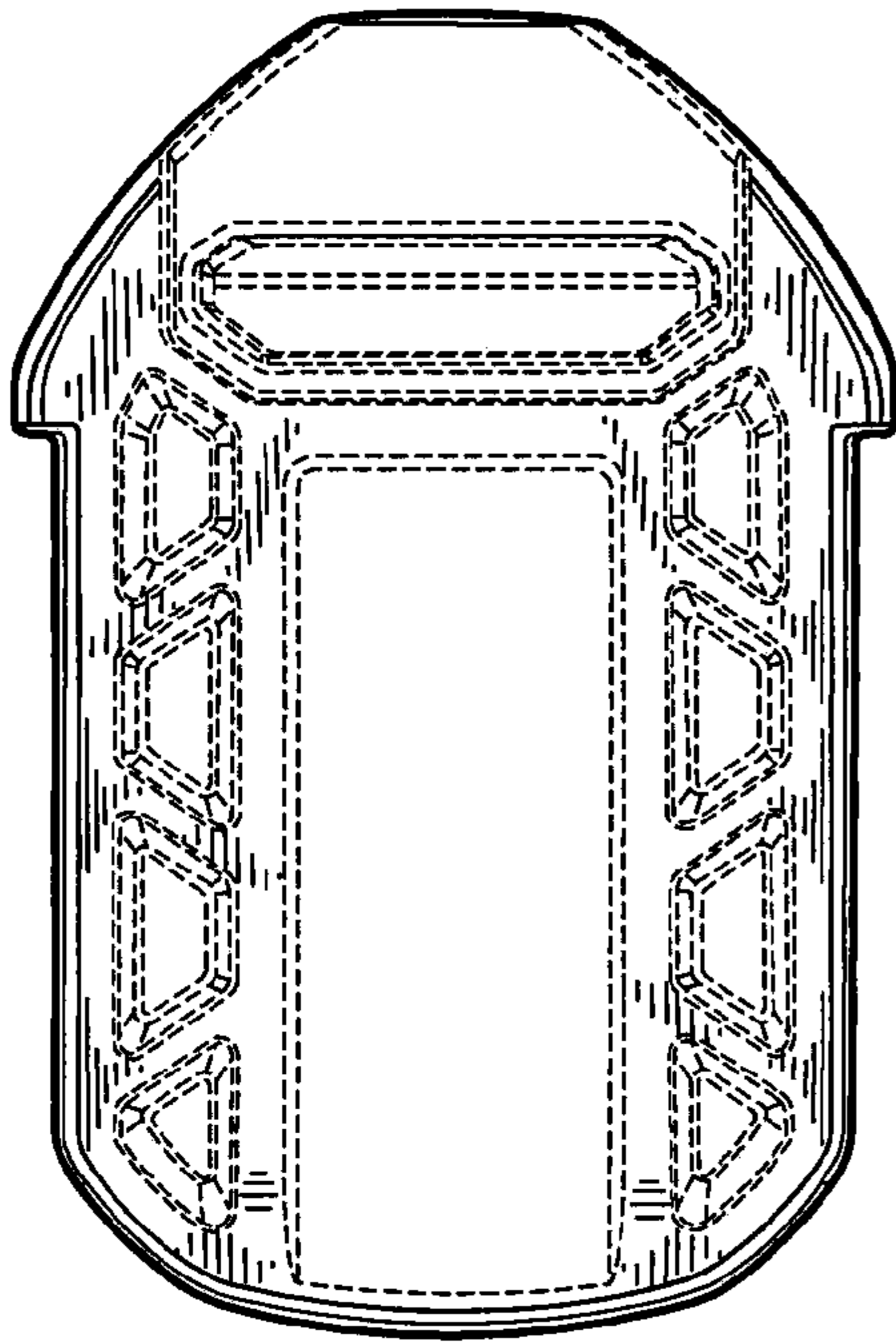


FIG. 3

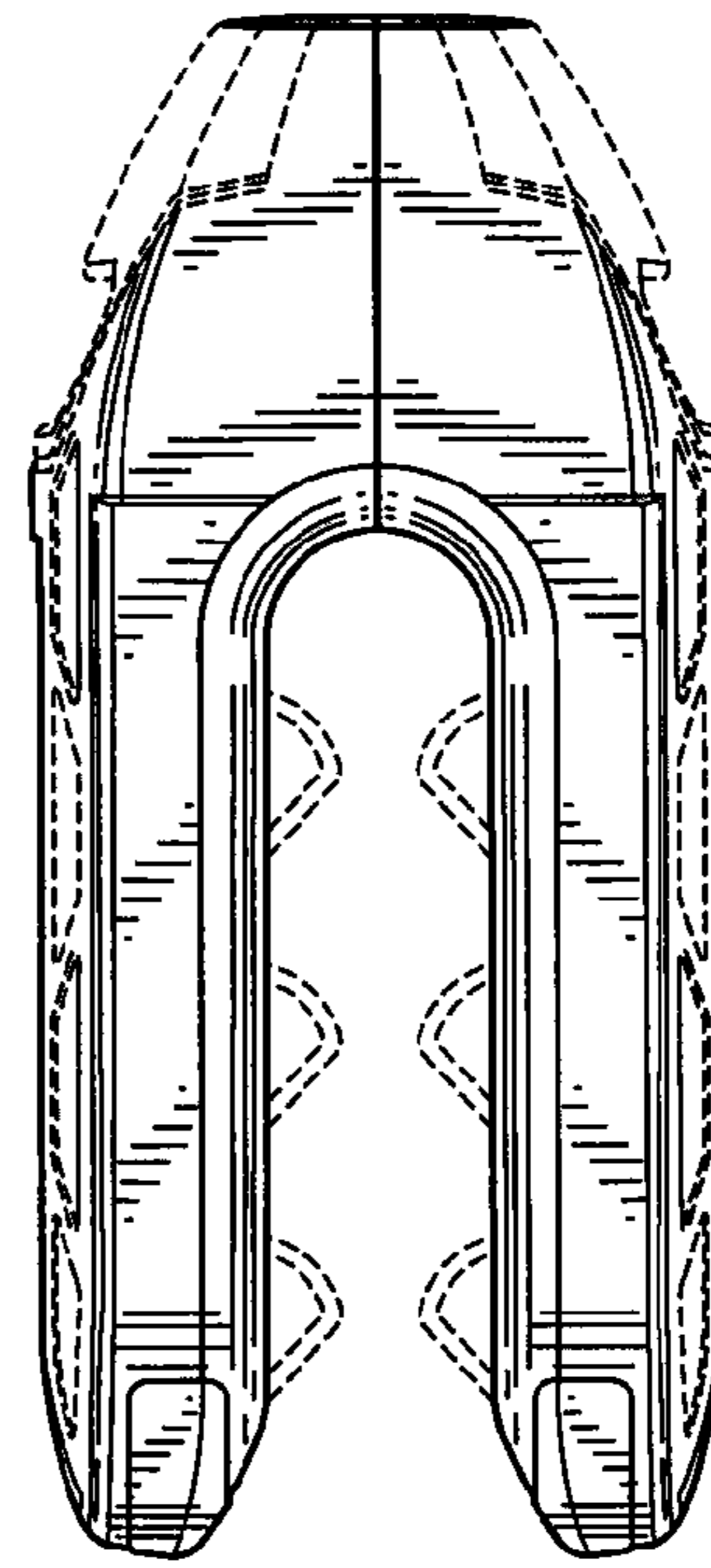


FIG. 4

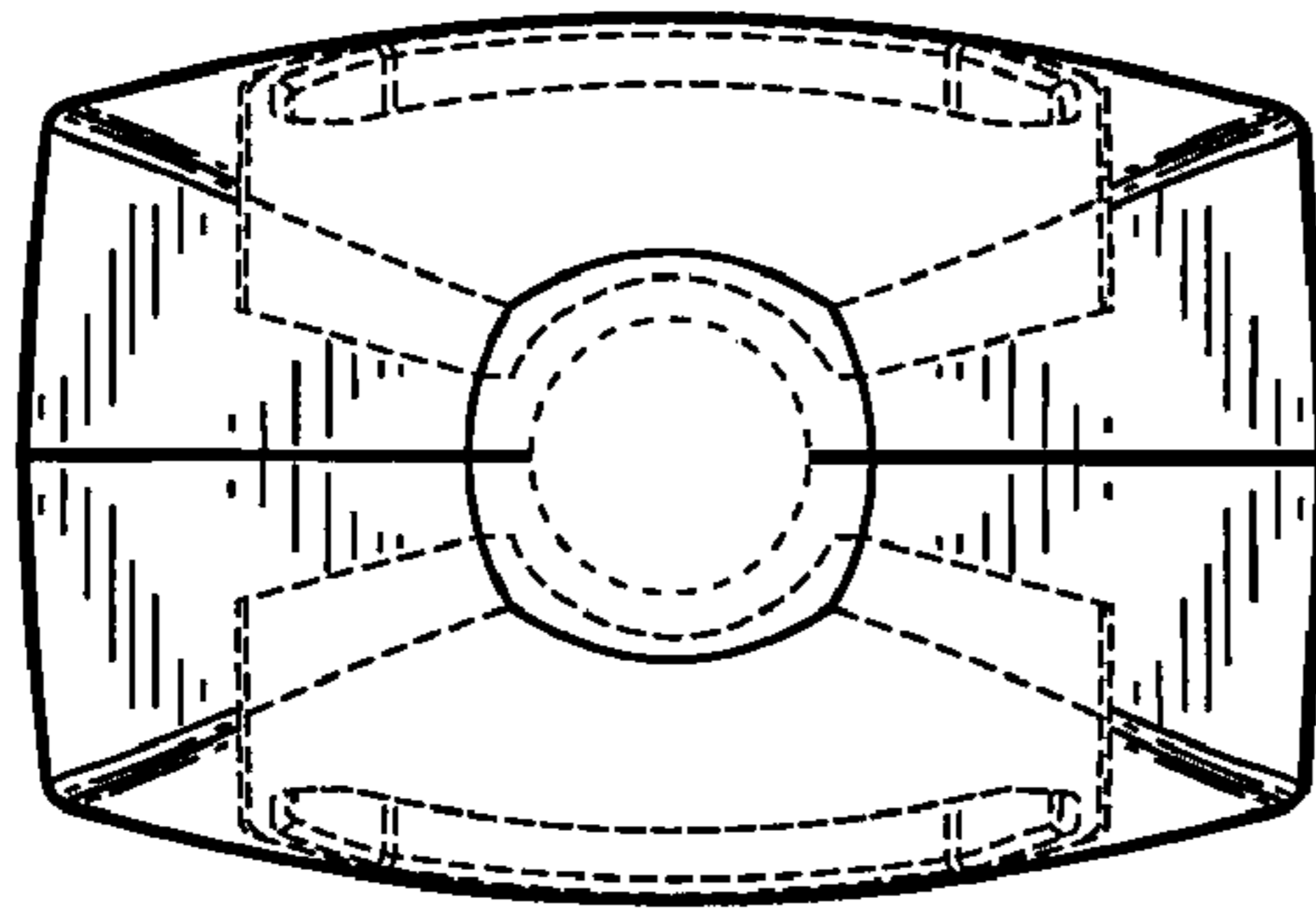


FIG. 5

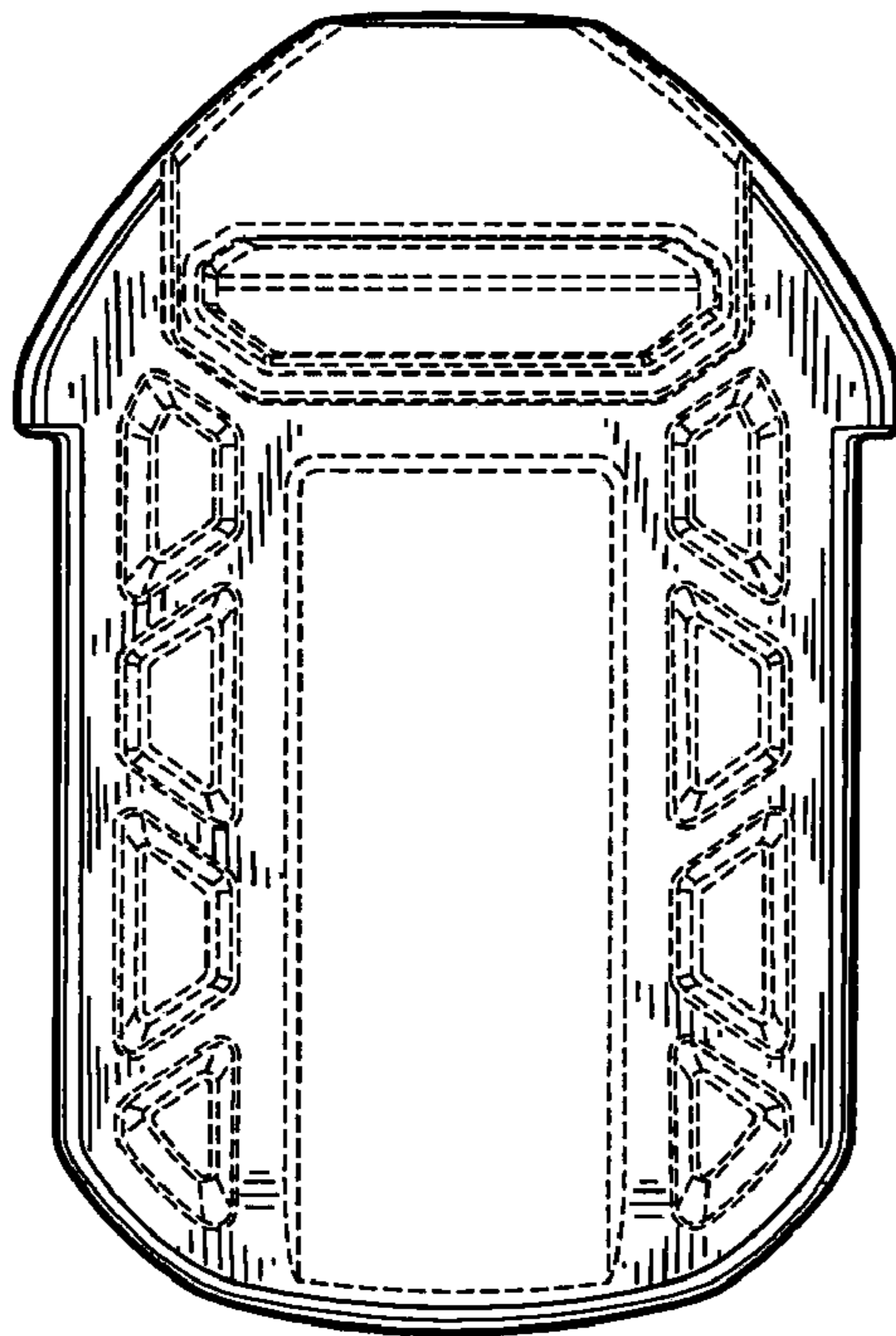


FIG. 6

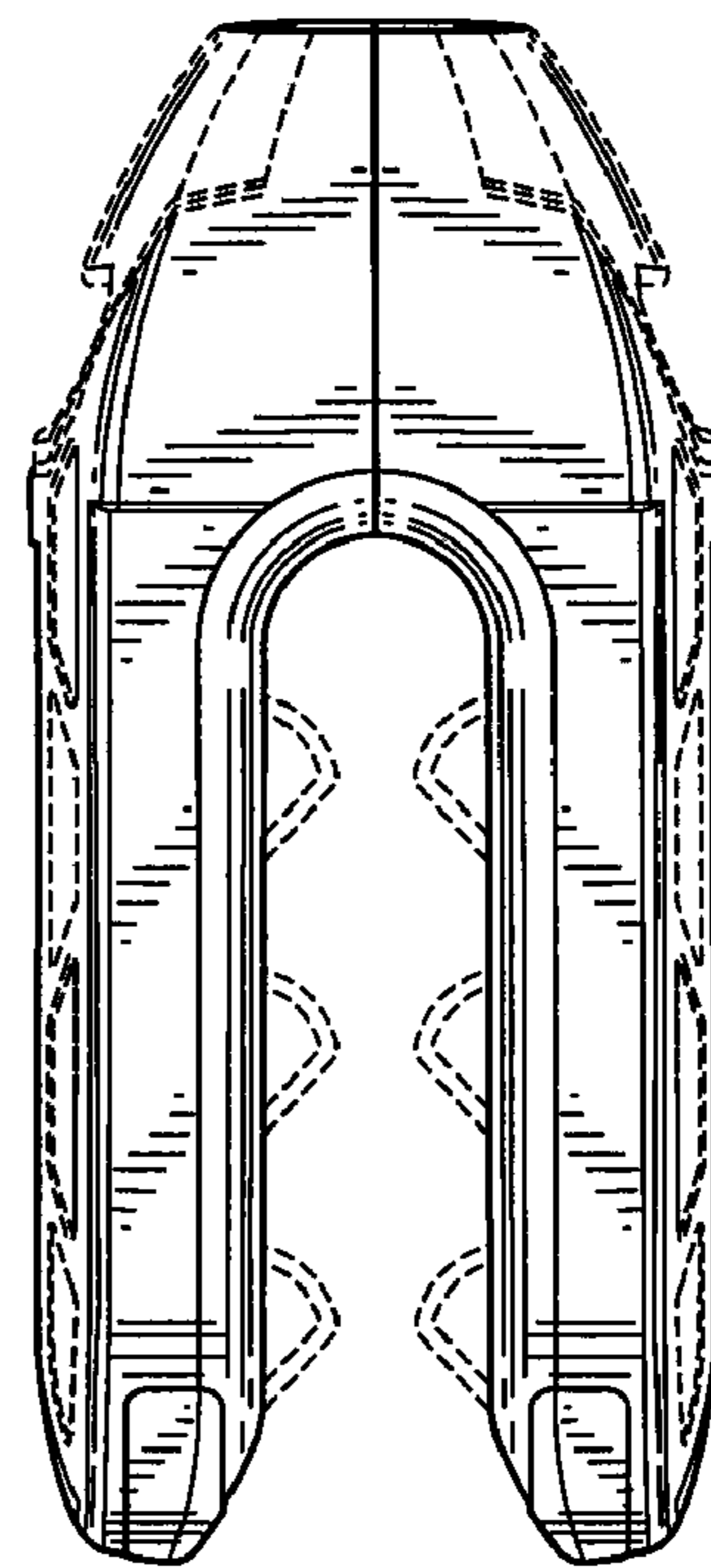


FIG. 7

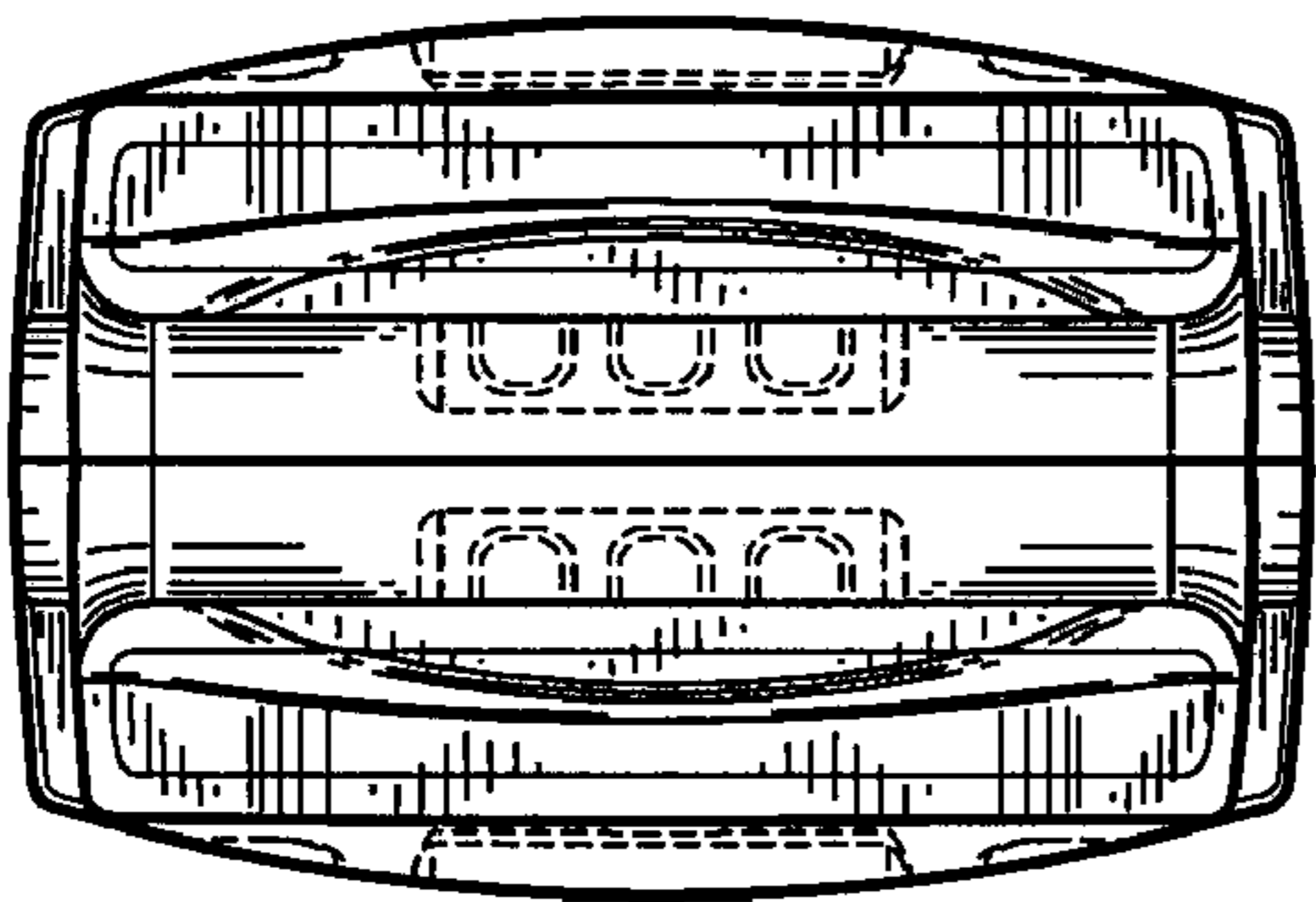


FIG. 8