

US00D665859S

(12) **United States Design Patent**
Horikoshi

(10) **Patent No.:** **US D665,859 S**
(45) **Date of Patent:** **** Aug. 21, 2012**

(54) **TOY TOP**
(75) Inventor: **Kenji Horikoshi**, Tokyo (JP)
(73) Assignee: **Tomy Company, Ltd.**, Tokyo (JP)
(**) Term: **14 Years**
(21) Appl. No.: **29/371,548**
(22) Filed: **Apr. 12, 2011**

D262,610 S 1/1982 Westlake et al.
D289,907 S 5/1987 Redding
4,982,961 A 1/1991 Ichimura
D353,632 S 12/1994 Nonaka et al.
D356,347 S 3/1995 Nonaka et al.
5,518,437 A 5/1996 Nonaka et al.
5,593,338 A 1/1997 Itoh et al.
6,604,979 B1 8/2003 Liu
6,626,729 B2 9/2003 Osawa
6,739,939 B2 5/2004 Matsukawa
6,743,070 B1 6/2004 Lin

(Continued)

(30) **Foreign Application Priority Data**

Oct. 12, 2010 (JP) 2010-024354

(51) **LOC (9) Cl.** **21-01**
(52) **U.S. Cl.** **D21/460**
(58) **Field of Classification Search** D21/385,
D21/390, 398, 436, 441-444, 453-464, 561,
D21/563, 578, 585, 592; 446/34, 46-48,
446/217, 218, 235-266, 429, 430, 435, 450-453,
446/486, 487, 489-491

See application file for complete search history.

(56) **References Cited**

U.S. PATENT DOCUMENTS

214,154 A 4/1879 Johnson
461,948 A 10/1891 Wilson
510,137 A 12/1893 Hollingsworth
615,930 A 12/1898 Warren
1,207,200 A 12/1916 Novak
1,208,431 A 12/1916 Wilcox
1,366,535 A 1/1921 Harrington
1,552,530 A 8/1921 Woods
1,668,695 A 5/1928 Pfaff
1,771,489 A 7/1930 Dochnal
D155,015 S 8/1949 Krapp
2,561,601 A 7/1951 Szonnell
2,789,392 A 4/1957 Palmieri
3,110,125 A 11/1963 Gibson, Jr.
3,220,142 A 11/1965 Butterfield
3,352,055 A 11/1967 Pelkowski
3,613,295 A 10/1971 Everett
4,157,632 A 6/1979 Everett

FOREIGN PATENT DOCUMENTS

CN 2034076 3/1989

(Continued)

OTHER PUBLICATIONS

U.S. Appl. No. 29/371,513, filed Mar. 31, 2011, Kenji Horikoshi,
Tomy Company, Ltd.

(Continued)

Primary Examiner — Catherine Tuttle

(74) *Attorney, Agent, or Firm* — Staas & Halsey LLP

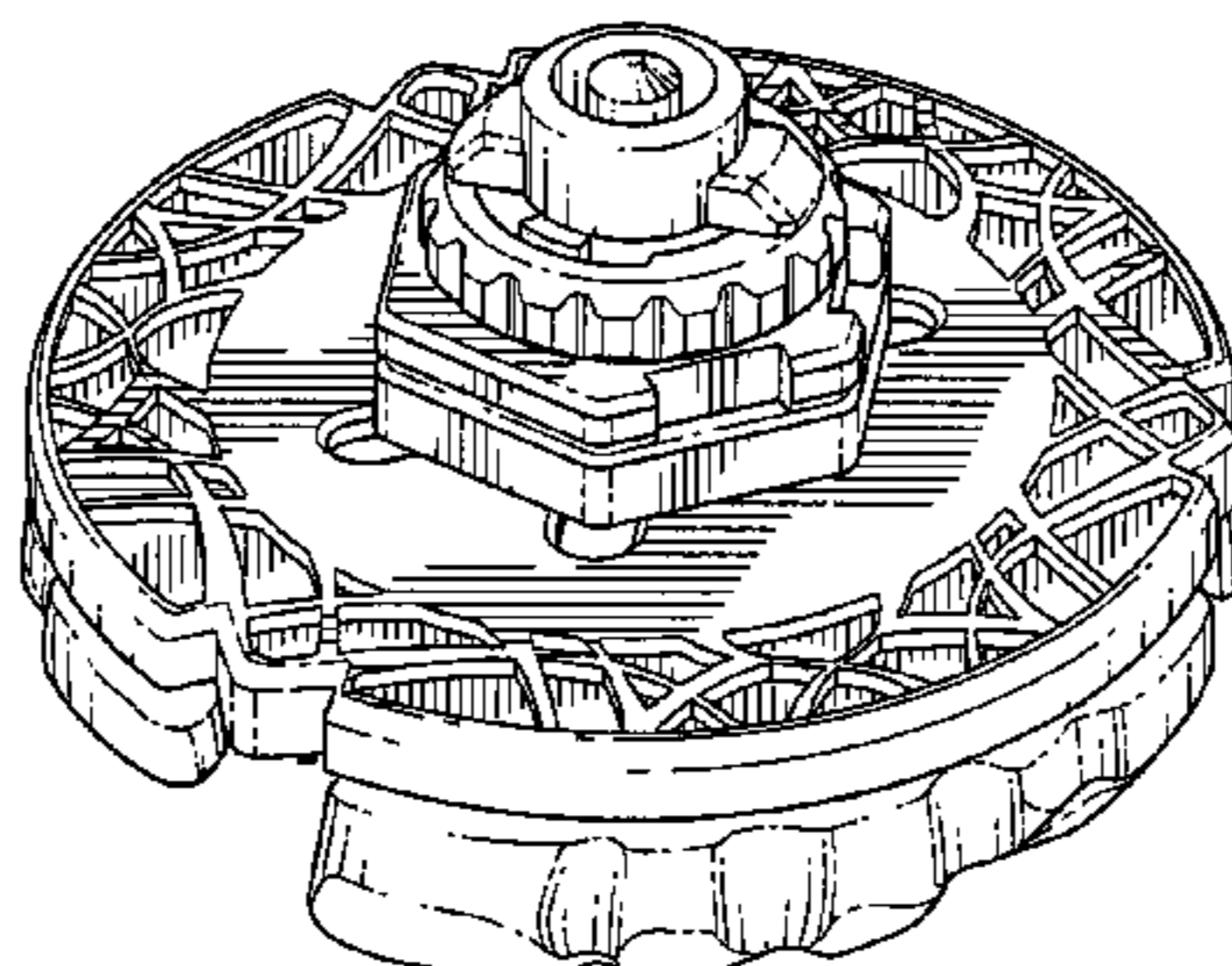
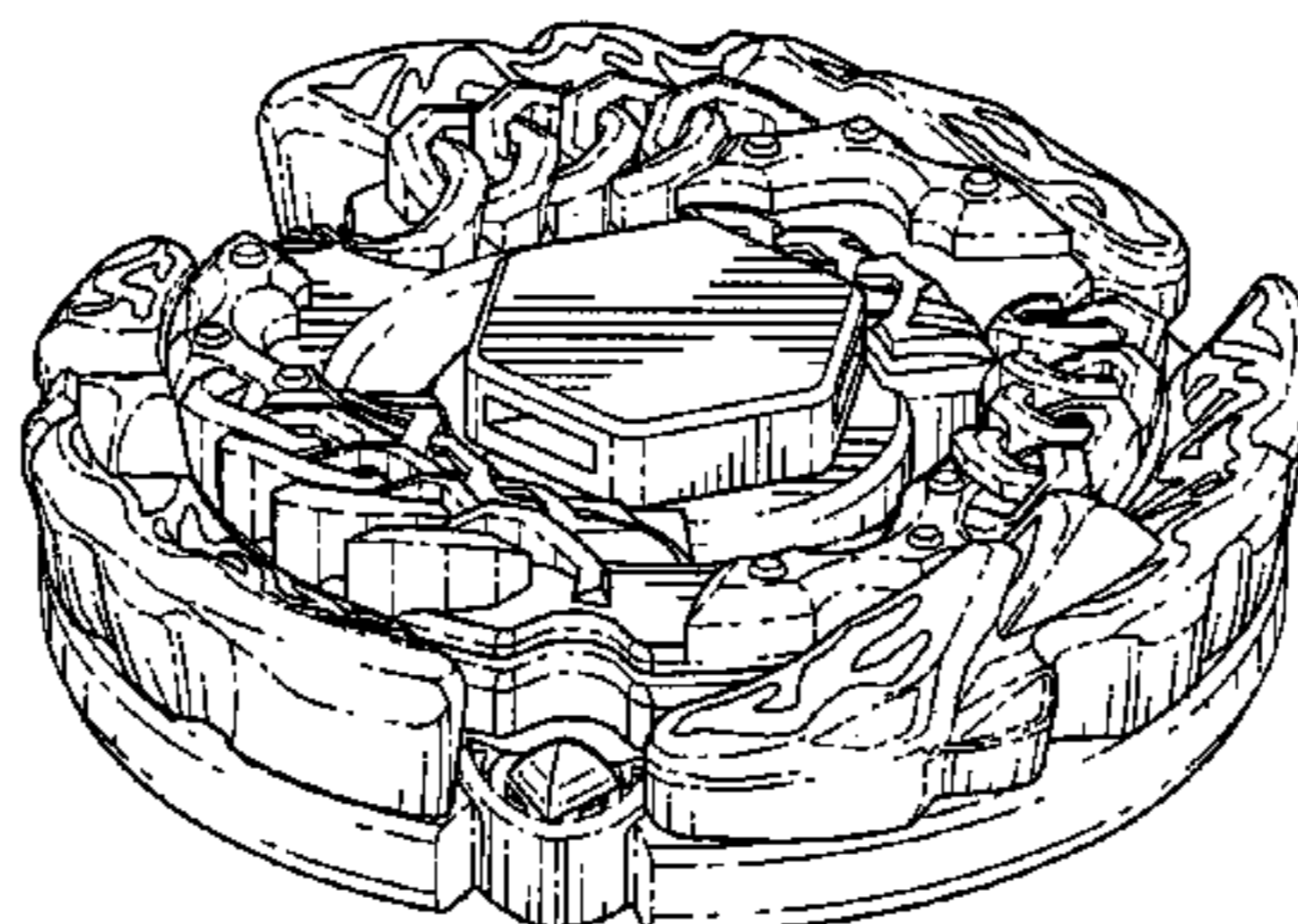
(57) **CLAIM**

The ornamental design for a toy top, as shown and described.

DESCRIPTION

FIG. 1 is a front view of the toy top showing my design;
FIG. 2 is a rear view thereof,
FIG. 3 is a right side view thereof;
FIG. 4 is a left side view thereof;
FIG. 5 is a top view thereof;
FIG. 6 is a bottom view thereof;
FIG. 7 is a perspective top view thereof;
FIG. 8 is a perspective bottom view thereof; and,
FIG. 9 is a perspective view showing the components of the
design in a disassembled state.

1 Claim, 5 Drawing Sheets



US D665,859 S

Page 2

U.S. PATENT DOCUMENTS

6,746,300	B1	6/2004	Matsukawa
6,905,389	B2	6/2005	Matsukawa
7,063,589	B2	6/2006	Matsukawa et al.
7,427,225	B2	9/2008	Matsukawa et al.
D584,366	S	1/2009	Bowen et al.
D608,842	S	1/2010	Nishimoto
D610,209	S	2/2010	Nishimoto
D614,245	S	4/2010	Ujita
D615,134	S	5/2010	Nishimoto
D615,602	S	5/2010	Nishimoto
D629,051	S	12/2010	Nishimoto
D629,468	S	12/2010	Ujita
D629,469	S	12/2010	Nishimoto
D629,847	S	12/2010	Ujita
D629,848	S	12/2010	Ujita
D639,348	S *	6/2011	Ujita D21/460
D639,869	S *	6/2011	Nishimoto D21/460
D646,729	S *	10/2011	Ujita D21/460
2002/0102907	A1	8/2002	Osawa
2003/0064660	A1	4/2003	Matsukawa
2004/0198152	A1	10/2004	Matsukawa
2005/0142983	A1	6/2005	Matsukawa et al.
2006/0258259	A1	11/2006	Lin
2009/0253344	A1	10/2009	Ujita et al.
2009/0253345	A1	10/2009	Ujita et al.

FOREIGN PATENT DOCUMENTS

CN	3262744	11/2002
CN	3271036	1/2003
CN	3348658	1/2004
CN	3348660	1/2004
CN	3350220	1/2004
CN	3350229	1/2004
CN	3350230	1/2004
CN	2604212	2/2004
CN	2707340	Y 7/2005
CN	3575984	11/2006
CN	3584728	11/2006
CN	3608255	2/2007
CN	3618938	3/2007
CN	3618945	3/2007
CN	3640746	5/2007
CN	2925561	Y 7/2007
CN	3666036	7/2007
CN	200948357	Y 9/2007
CN	300687773	9/2007
CN	300701716	10/2007
CN	200977395	Y 11/2007
CN	200977396	Y 11/2007
CN	200977397	Y 11/2007
CN	200977398	Y 11/2007
CN	20098446	Y 12/2007
CN	300819268	8/2008
CN	300846669	11/2008
CN	300862259	12/2008
CN	300862260	12/2008
CN	201186159	Y 1/2009
CN	300894181	3/2009
CN	300894281	3/2009
CN	201214014	Y 4/2009
CN	300901190	4/2009
CN	300901232	4/2009
CN	300909089	4/2009
CN	300909090	4/2009
CN	300925083	5/2009
CN	300925097	5/2009
CN	300929057	5/2009
CN	300929058	5/2009
CN	3151700	6/2009
CN	201271495	Y 7/2009
CN	201279388	Y 7/2009
CN	301218930	* 5/2010
CN	301218931	* 5/2010
CN	301310304	* 8/2010
DE	2002 07 253	U1 10/2002
EM	001203707-0002	* 4/2010
EM	001203707-0003	* 4/2010

EM	001215826-0001	* 5/2010
EM	001760604-0003	* 10/2010
EP	077438	4/1983
EP	2133128	12/2009
JP	3067318	1/2000
JP	3071356	8/2000
JP	3156926	2/2001
JP	3079301	5/2001
JP	3083515	11/2001
JP	3092120	12/2002
JP	2003-103062	A 4/2003
JP	2003-320174	11/2003
JP	2005-245796	9/2005
JP	2005-328976	12/2005
JP	2006-055333	3/2006
JP	3142474	5/2008
JP	3149383	U 3/2009
KR	300443240.0000	3/2007
KR	300520338.0000	2/2009
KR	300520339.0000	2/2009
KR	300520343.0000	2/2009
KR	300520344.0000	2/2009
WO	WO 2006/133274	12/2006

OTHER PUBLICATIONS

European Search Report in Application No. 08253264.9 dated Jun. 25, 2009.

U.S. Copyright Registration No. VA1-151-590 dated Nov. 15, 2002 with deposit copy.

U.S. Copyright Registration No. VA1-151-591 dated Nov. 15, 2002 with deposit copy.

U.S. Copyright Registration No. VA1-151-593 dated Nov. 15, 2002 with deposit copy.

U.S. Copyright Registration No. VA1-172-925 dated Oct. 22, 2002 with deposit copy.

U.S. Copyright Registration No. VA1-172-926 dated Oct. 22, 2002 with deposit copy.

U.S. Copyright Registration No. VA1-172-935 dated Oct. 22, 2002 with deposit copy.

Specimen filed in U.S. Trademark Registration No. 3,002,216 on Jul. 11, 2005.

Apr. 2, 2009 Office Action in co-pending U.S. Appl. No. 29/309,758.

Apr. 7, 2009 Notice of Allowance in co-pending U.S. Appl. No. 29/309,762.

Apr. 7, 2009 Notice of Allowance in co-pending U.S. Appl. No. 29/309,764.

Apr. 15, 2009 Office Action in co-pending U.S. Appl. No. 29/309,759.

Apr. 15, 2009 Office Action in co-pending U.S. Appl. No. 29/309,761.

Apr. 15, 2009 Office Action in co-pending U.S. Appl. No. 29/309,766.

Apr. 16, 2009 Office Action in co-pending U.S. Appl. No. 29/309,768.

Sep. 3, 2009 Notice of Allowance in co-pending U.S. Appl. No. 29/309,762.

Sep. 3, 2009 Notice of Allowance in co-pending U.S. Appl. No. 29/309,764.

Office Action mailed Nov. 27, 2009 in co-pending U.S. Appl. No. 29/311,821.

Office Action mailed Nov. 27, 2009 in co-pending U.S. Appl. No. 29/311,775.

Notice of Allowance mailed Nov. 30, 2009 in co-pending U.S. Appl. No. 29/309,766.

Notice of Allowance mailed Nov. 30, 2009 in co-pending U.S. Appl. No. 29/309,758.

Notice of Allowance mailed Dec. 1, 2009 in co-pending U.S. Appl. No. 29/311,777.

Office Action mailed Apr. 21, 2010 in co-pending U.S. Appl. No. 29/311,821.

Office Action mailed Jul. 6, 2010 in co-pending U.S. Appl. No. 29/311,775.

Notice of Allowance mailed Aug. 16, 2010 in U.S. Appl. No. 29/347,645.

US D665,859 S

Page 3

Office Action mailed Aug. 18, 2010 in U.S. Appl. No. 29/347,147.
Notice of Allowance mailed Aug. 19, 2010 in U.S. Appl. No. 29/311,776.
Notice of Allowance mailed Aug. 20, 2010 in U.S. Appl. No. 29/347,188.
Notice of Allowance mailed Aug. 30, 2010 in U.S. Appl. No. 29/347,646.
Office Action mailed Dec. 23, 2010 in U.S. Appl. No. 29/311,775.
Office Action mailed Jan. 28, 2011 in U.S. Appl. No. 29/347,730.
Office Action mailed Jan. 28, 2011 in U.S. Appl. No. 29/347,888.
Office Action mailed Jan. 28, 2011 in U.S. Appl. No. 29/347,838.
Office Action mailed Feb. 3, 2011 in U.S. Appl. No. 29/376,355.
Office Action mailed Mar. 8, 2011 in U.S. Appl. No. 29/347,147.
U.S. Appl. No. 12/285,877, filed Oct. 15, 2008, Ujita et al., Tomy Company, Ltd.
U.S. Appl. No. 29/311,775, filed Jun. 17, 2009, Ujita, Tomy Company, Ltd.
U.S. Appl. No. 29/347,147, filed Sep. 28, 2009, Nishimoto, Tomy Company, Ltd.
U.S. Appl. No. 12/659,660, filed Mar. 16, 2010, Ujita, Tomy Company, Ltd.

U.S. Appl. No. 29/347,730, filed Apr. 26, 2010, Ujita, Tomy Company, Ltd.
U.S. Appl. No. 29/347,838, filed Jun. 21, 2010, Nishimoto, Tomy Company, Ltd.
U.S. Appl. No. 29/347,888, filed Jul. 12, 2010, Ujita, Tomy Company, Ltd.
U.S. Appl. No. 12/805,627, filed Aug. 10, 2010, Ujita et al., Tomy Company, Ltd.
U.S. Appl. No. 12/895,196, filed Sep. 30, 2010, Ujita et al., Tomy Company, Ltd.
U.S. Appl. No. 12/895,241, filed Sep. 30, 2010, Ujita et al., Tomy Company, Ltd.
U.S. Appl. No. 29/371,363, filed Jan. 14, 2011, Horikoshi, Tomy Company, Ltd.
U.S. Appl. No. 29/371,354, filed Jan. 14, 2011, Horikoshi, Tomy Company, Ltd.
U.S. Appl. No. 29/371,364, filed Jan. 14, 2011, Ujita, Tomy Company, Ltd.
U.S. Appl. No. 29/371,353, filed Jan. 14, 2011, Ujita, Tomy Company, Ltd.

* cited by examiner

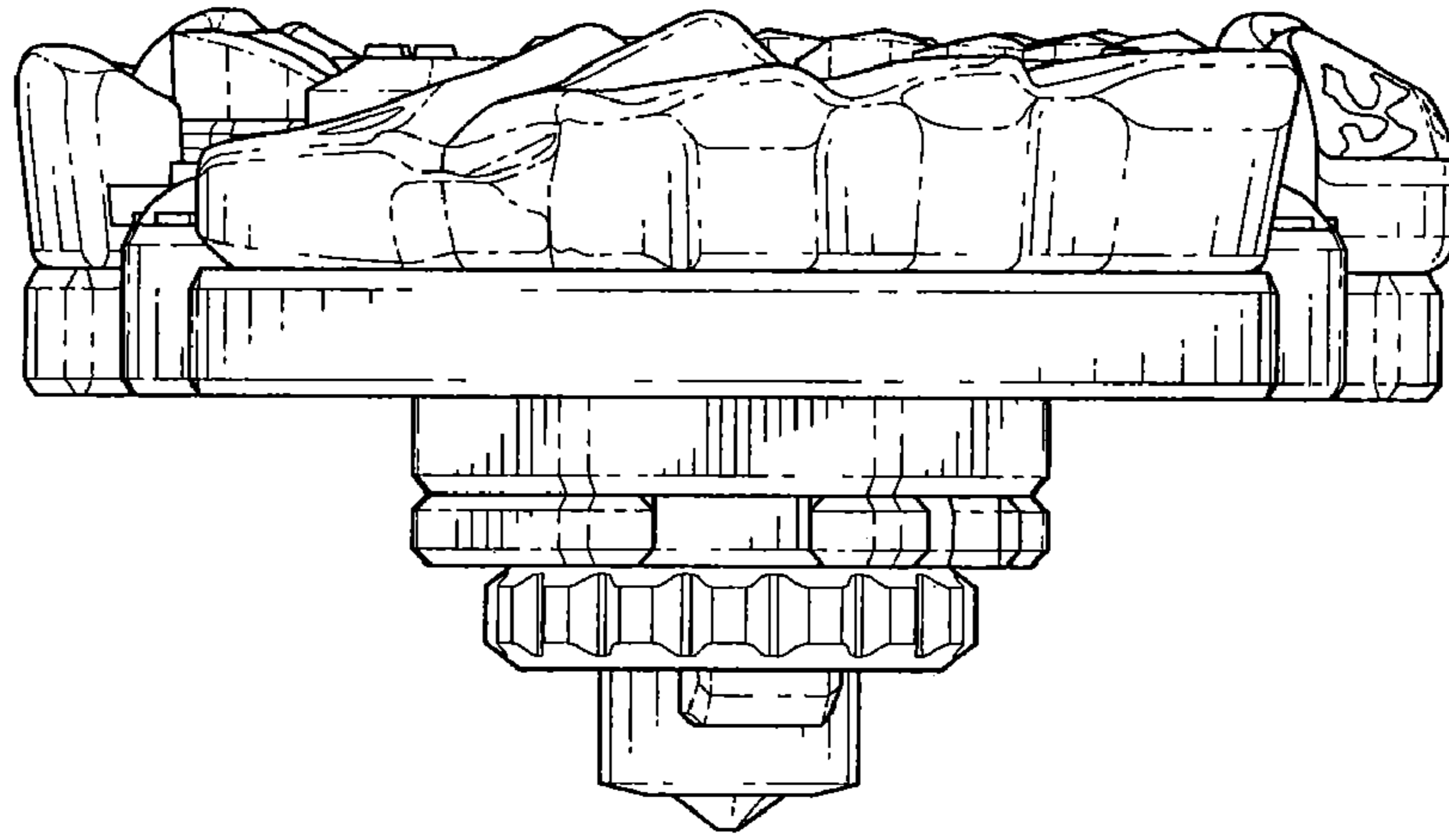


FIG. 1

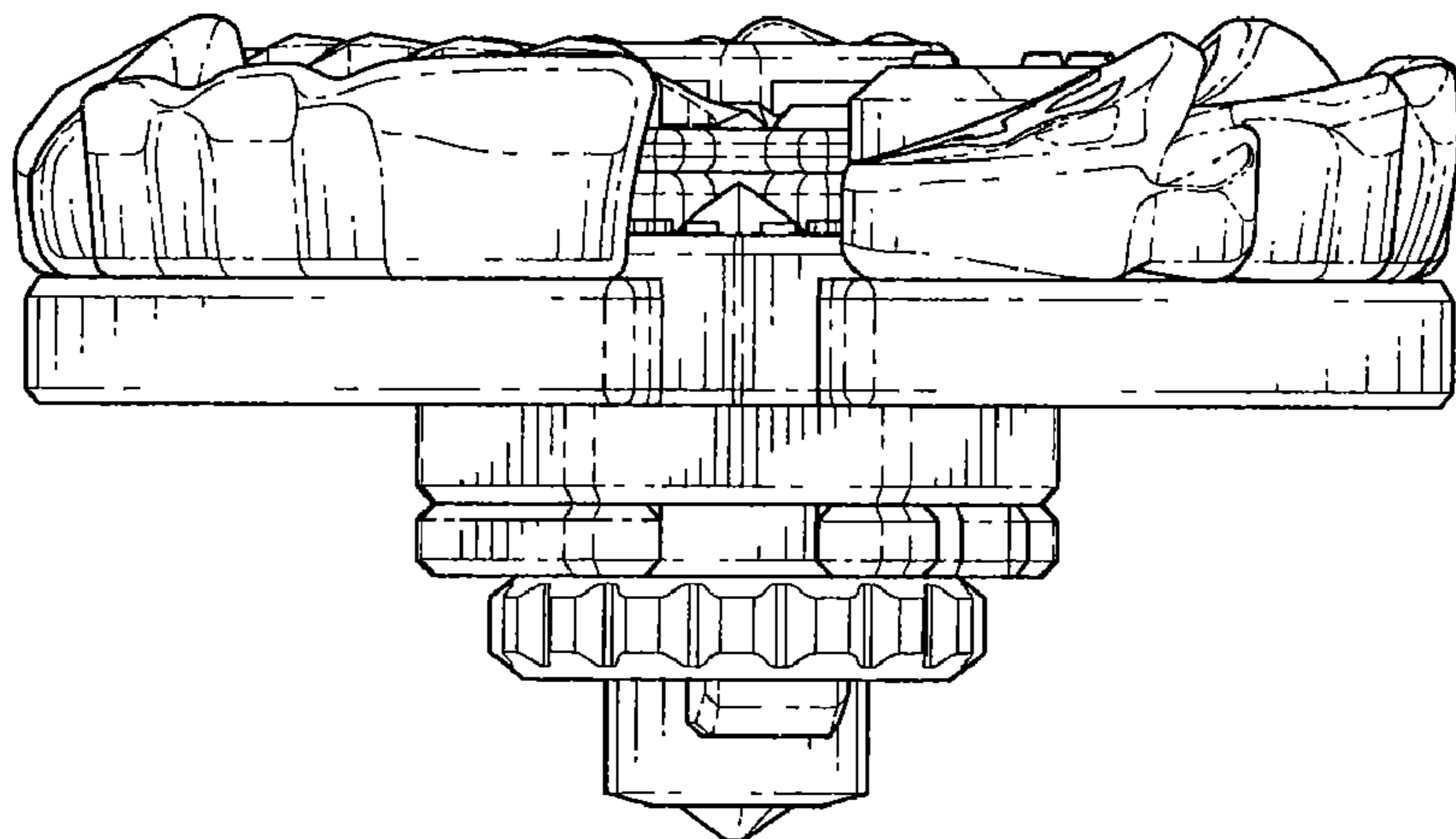


FIG. 2

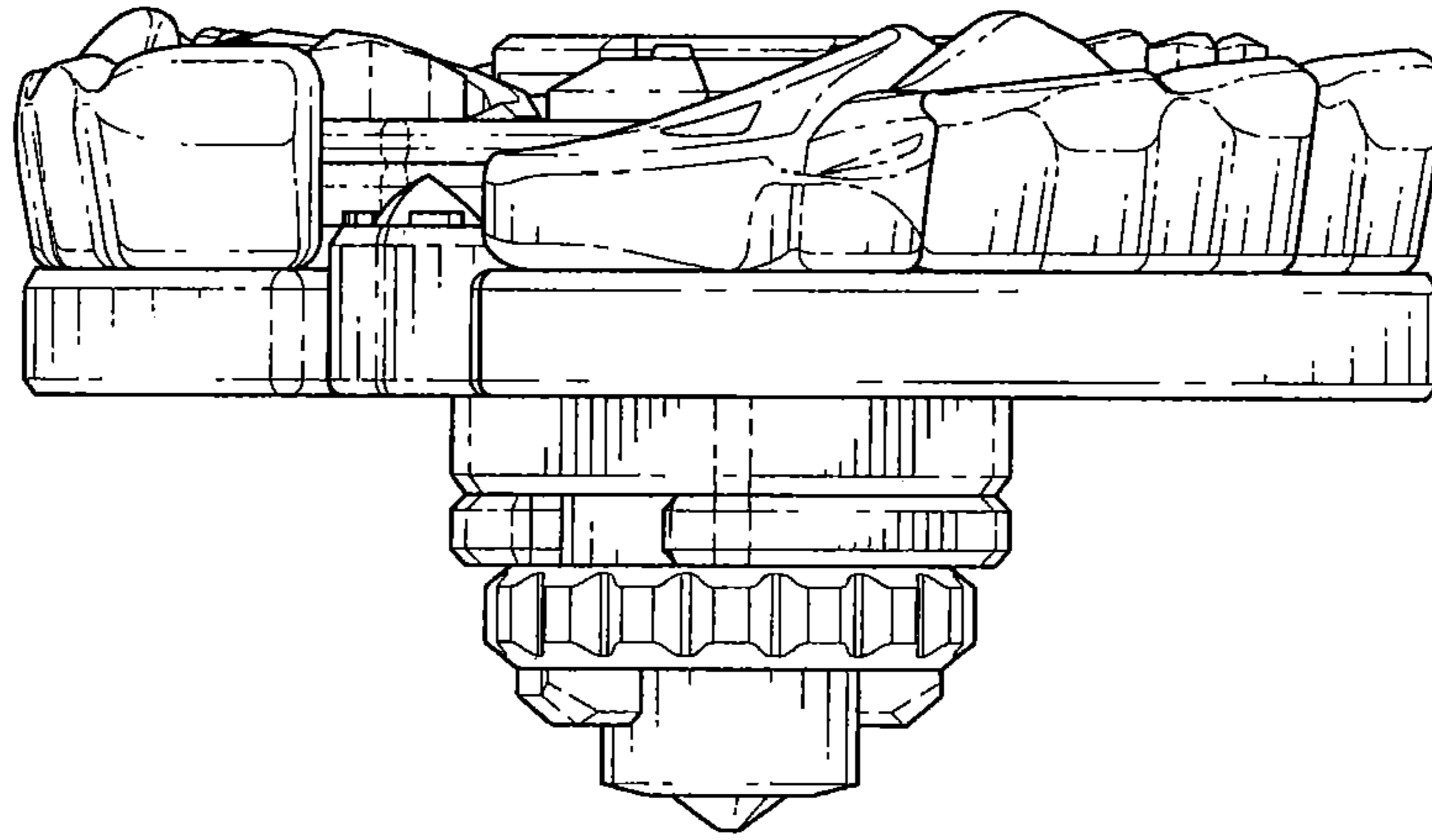


FIG. 3

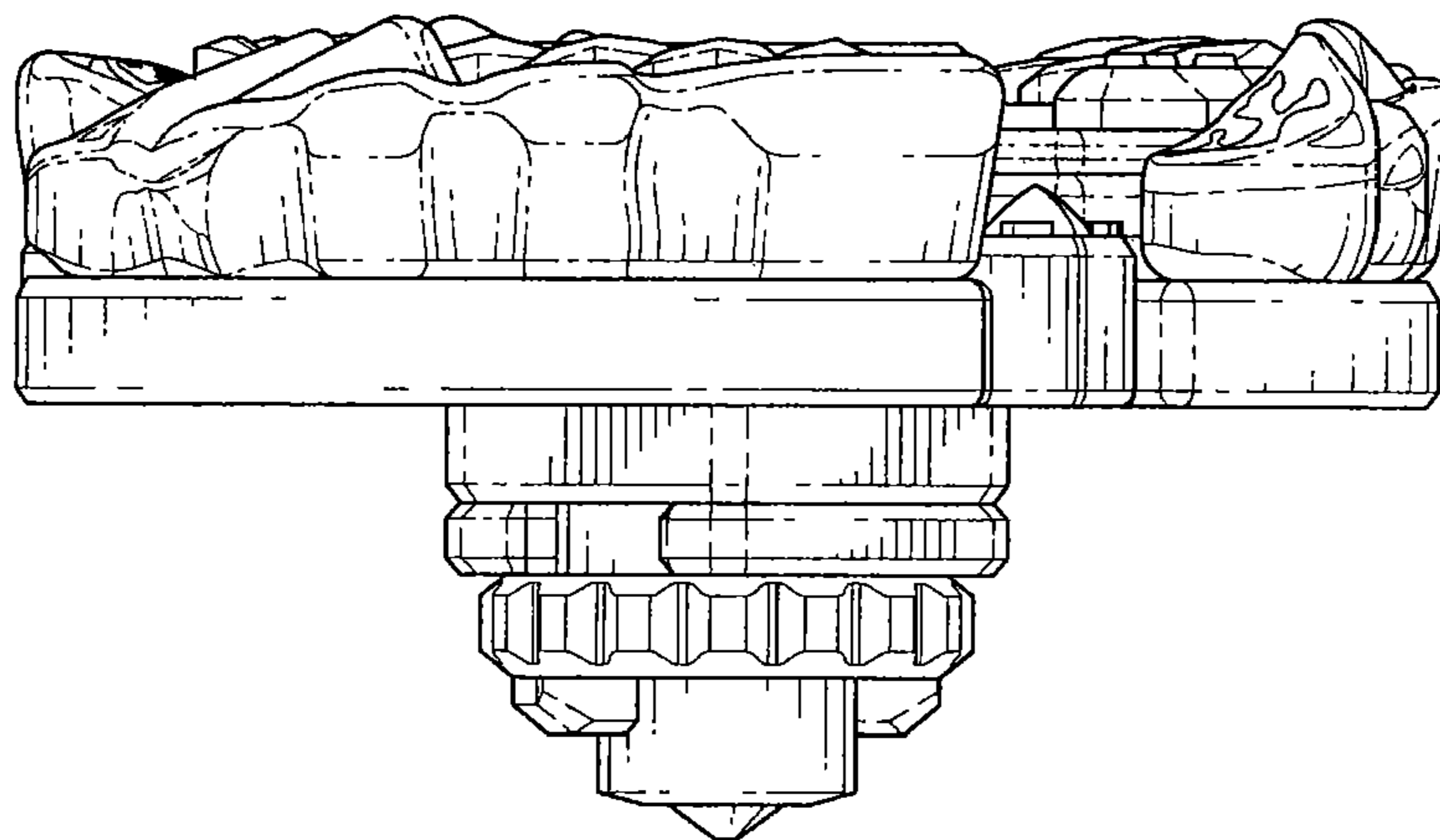


FIG. 4

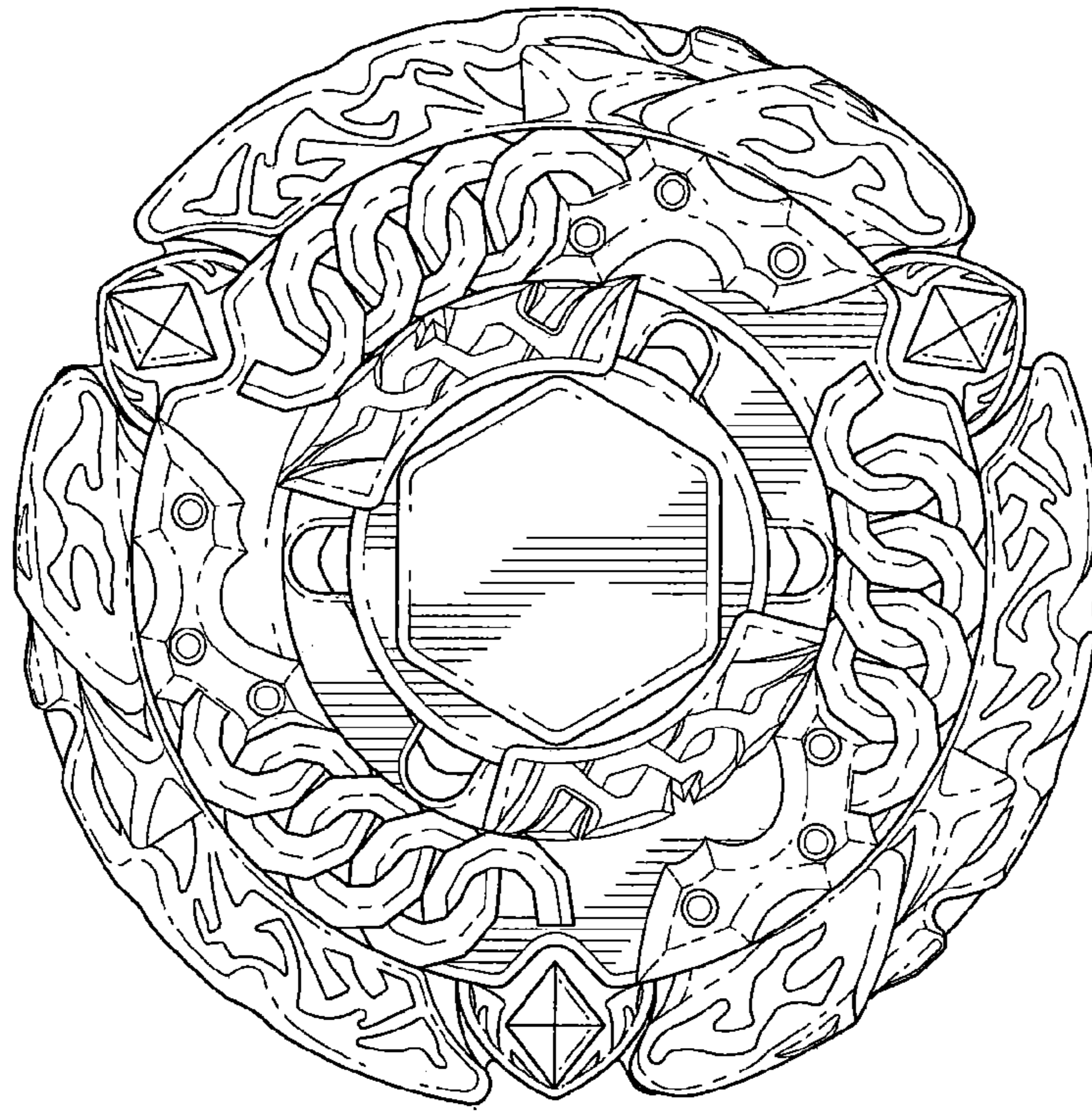


FIG. 5

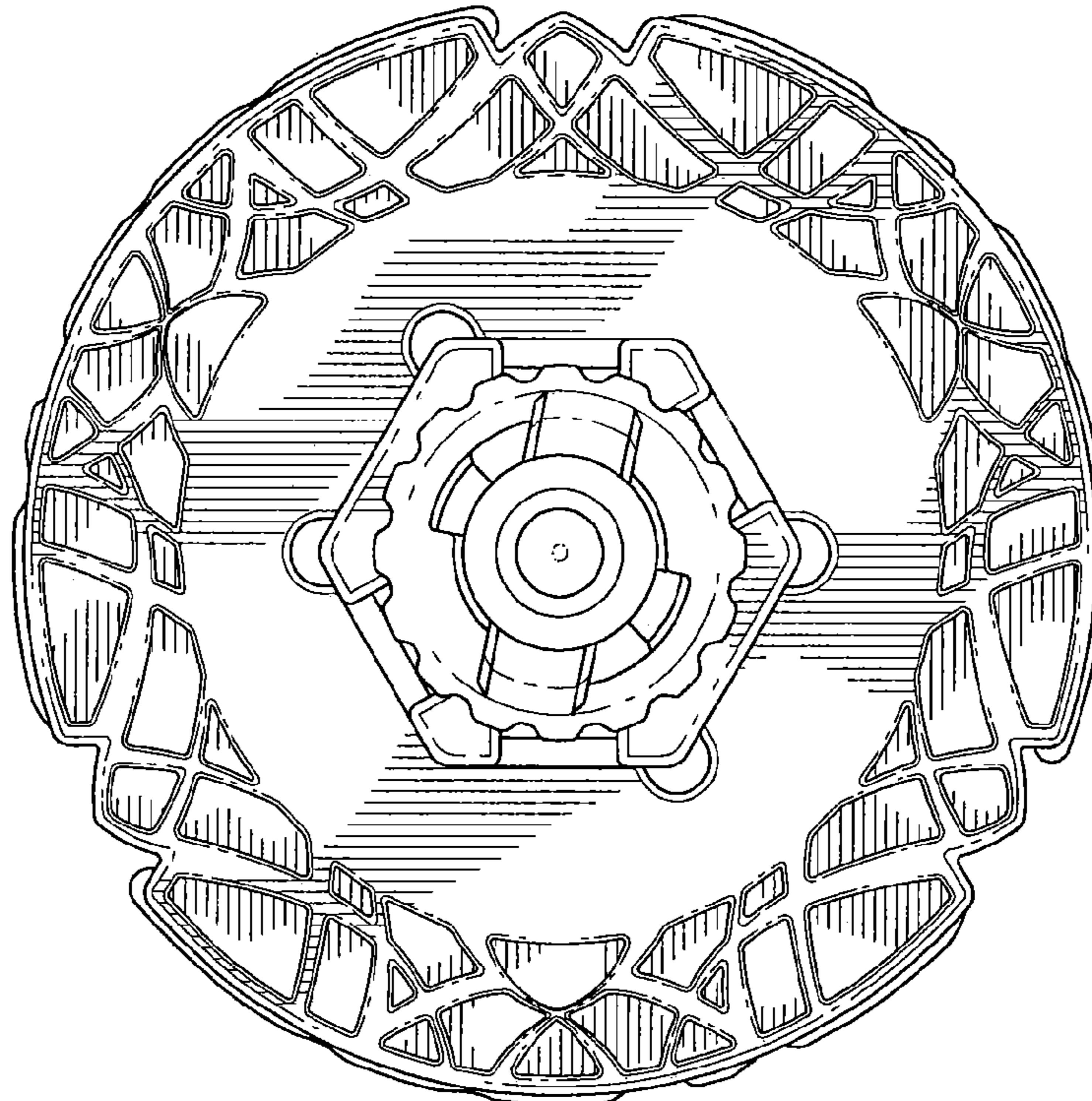


FIG. 6

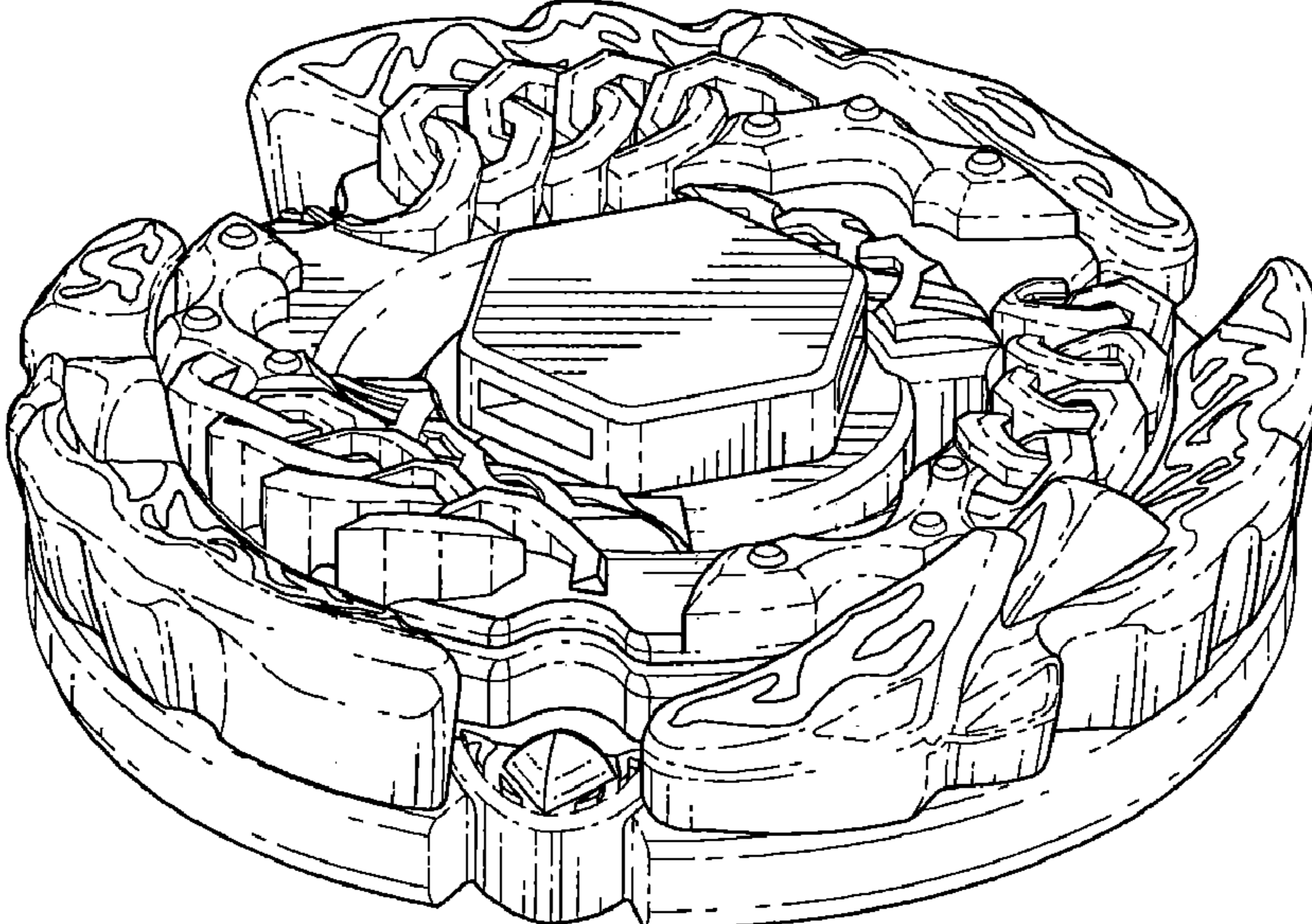


FIG. 7

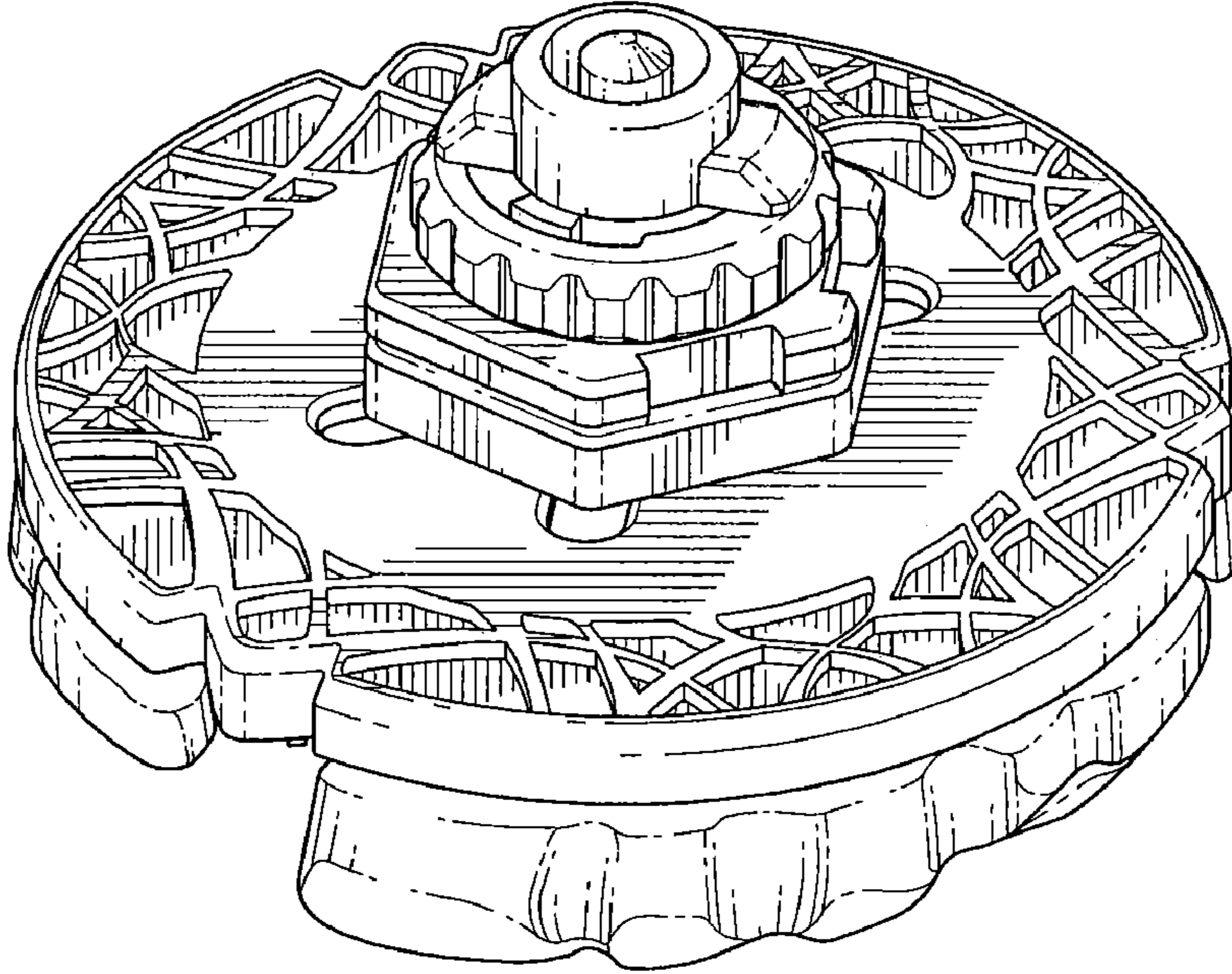


FIG. 8

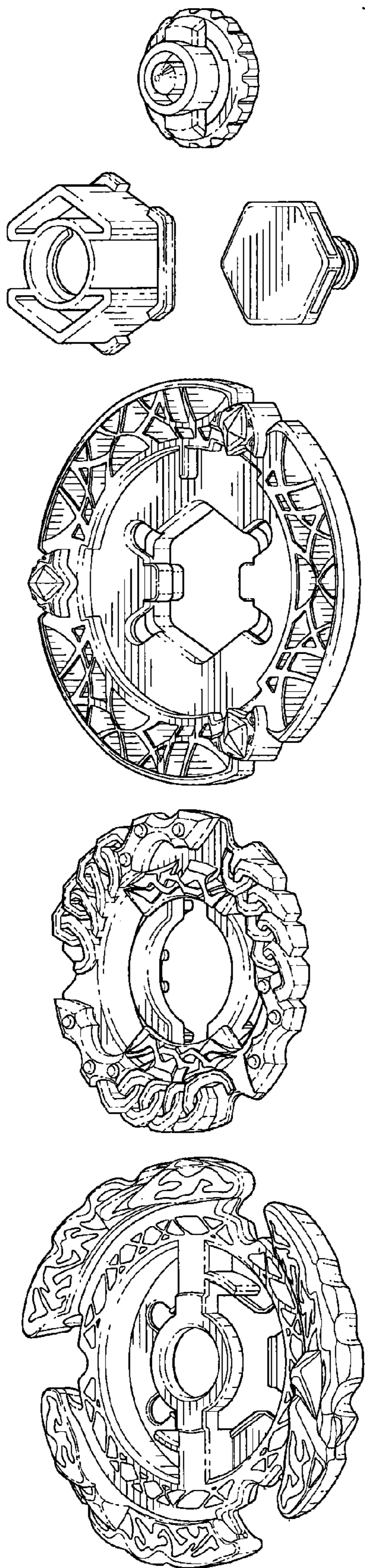


FIG. 9