



US00D665856S

(12) **United States Design Patent**
Scolari et al.

(10) **Patent No.:** **US D665,856 S**

(45) **Date of Patent:** **** Aug. 21, 2012**

(54) **SCOOTER**

(75) Inventors: **Nathan Anthony Scolari**, Greenville, SC (US); **Robert Wayne Lewis, Jr.**, Duncan, SC (US)

(73) Assignee: **Zike, LLC**, Greenville, SC (US)

(**) Term: **14 Years**

(21) Appl. No.: **29/367,409**

(22) Filed: **Aug. 6, 2010**

(51) **LOC (9) Cl.** **21-01**

(52) **U.S. Cl.** **D21/423**

(58) **Field of Classification Search** D21/419,
D21/421, 423, 426-428, 435, 597, 760, 765,
D21/771, 803; D12/1, 8, 108, 112, 113;
280/8, 14.21, 14.25, 14.26, 87.041, 87.042,
280/200, 214, 220, 221, 239, 263, 288.1,
280/288.2, 288.4, 809; 180/180, 181; D6/591
See application file for complete search history.

(56) **References Cited**

U.S. PATENT DOCUMENTS

D210,087 S *	2/1968	Higgins	D21/423
D224,424 S *	7/1972	Schell	D21/765
D227,688 S *	7/1973	Chase	D21/766
D236,788 S *	9/1975	Warenburg	D6/591
D421,282 S *	2/2000	Orr	D21/765
D444,511 S *	7/2001	Shih	D21/423
D471,597 S *	3/2003	Chen	D21/423

D471,598 S *	3/2003	Chen	D21/423
D479,734 S *	9/2003	Schaffer et al.	D21/423
D517,630 S *	3/2006	Wickstrom	D21/769
D557,751 S *	12/2007	On	D21/423
D564,037 S *	3/2008	Cramer et al.	D21/423
D576,700 S *	9/2008	Williams	D21/765
D579,987 S *	11/2008	Hong	D21/423
D603,463 S *	11/2009	Jessie, Jr.	D21/423
D628,844 S *	12/2010	Tuggle	D6/591

* cited by examiner

Primary Examiner — Cynthia M Chin

(74) *Attorney, Agent, or Firm* — David L King

(57) **CLAIM**

The ornamental design for a scooter, as shown and described.

DESCRIPTION

FIG. 1 is a perspective view of our new, original and ornamental design;

FIG. 2 is a front view thereof;

FIG. 3 is a rear view thereof;

FIG. 4 is a left side view thereof;

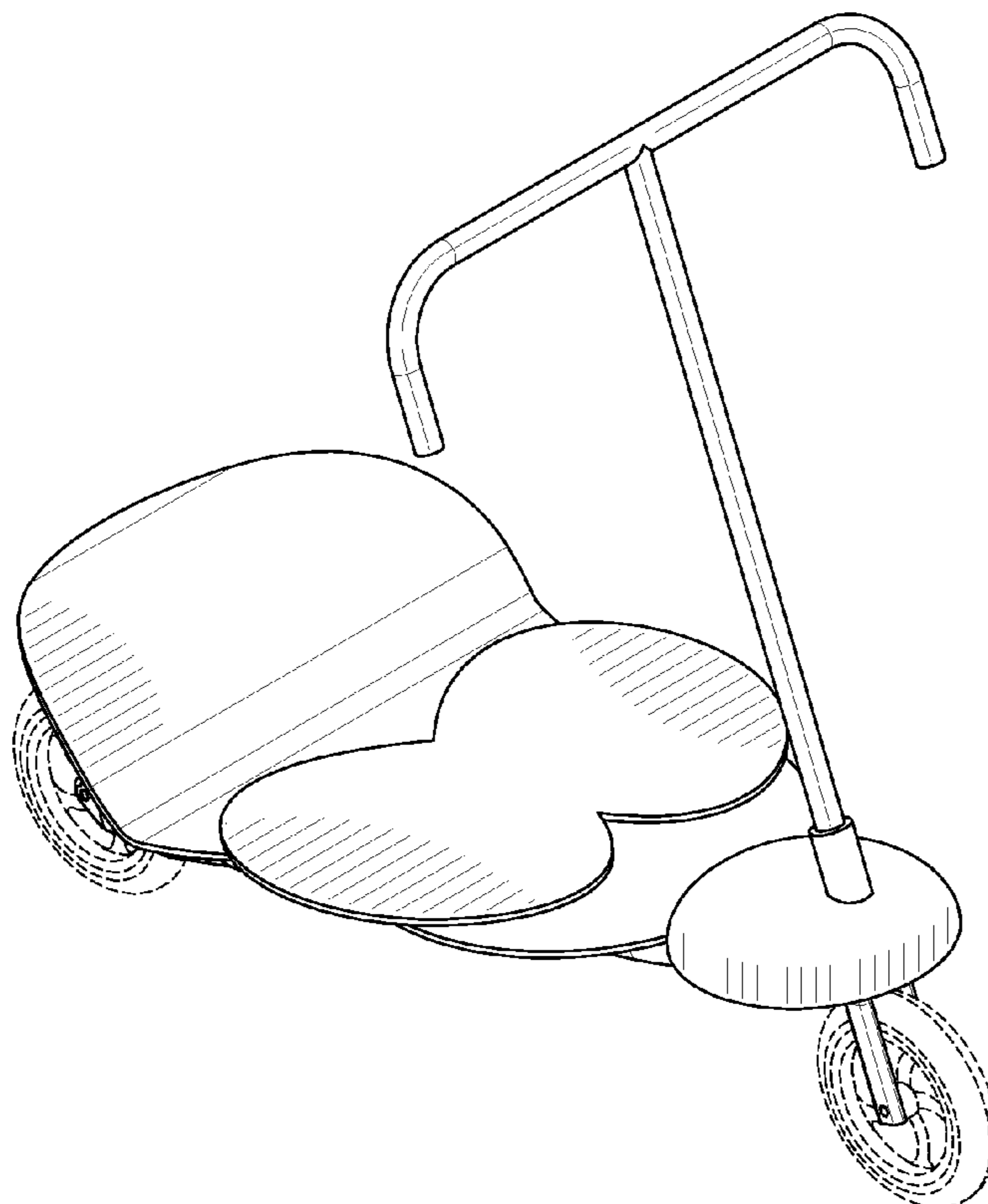
FIG. 5 is a right side view thereof;

FIG. 6 is a top view thereof; and,

FIG. 7 is a bottom view thereof.

The broken lines shown are included for the purpose of illustrating the unclaimed portions of the article and form no part of the claimed design.

1 Claim, 6 Drawing Sheets



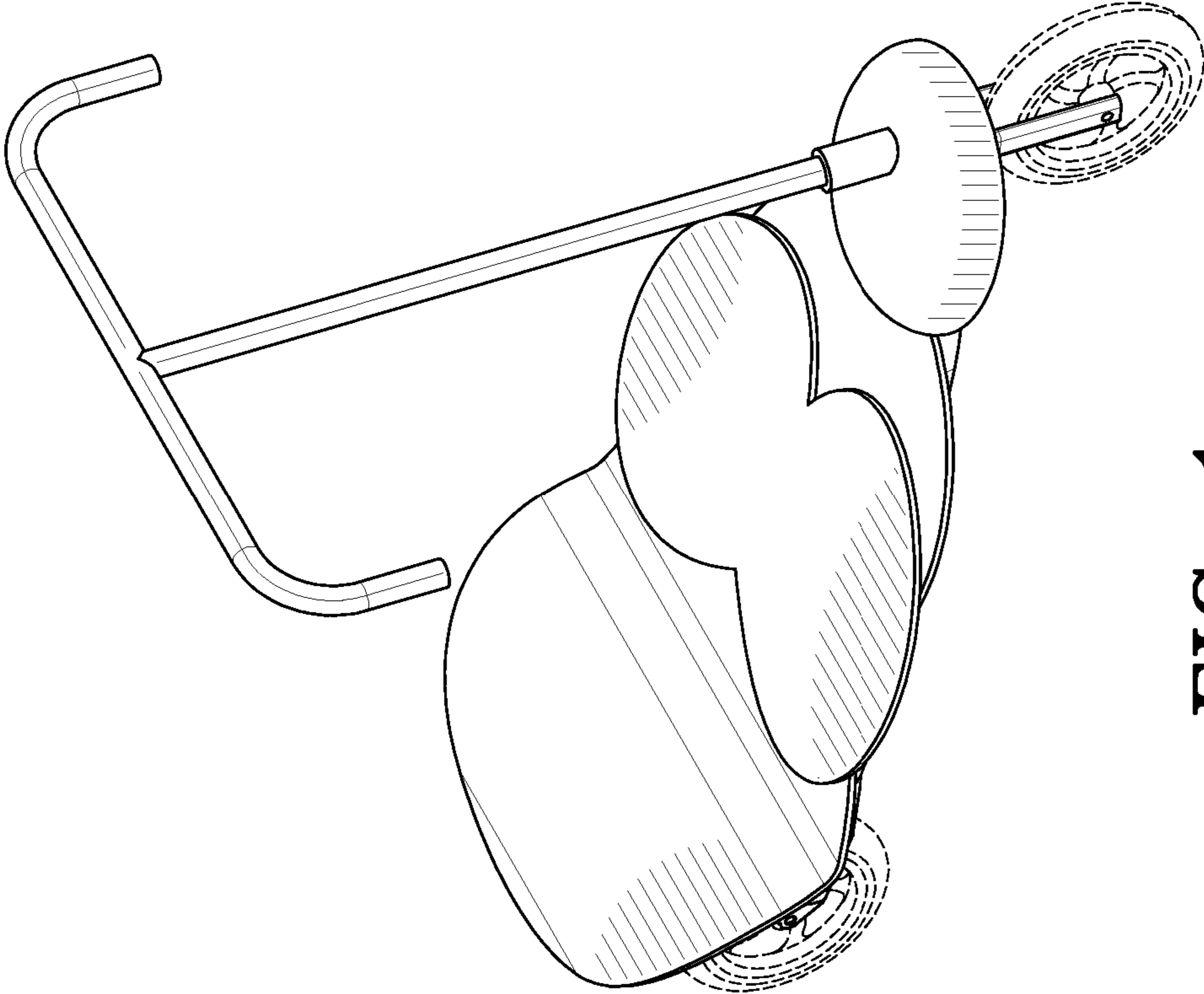


FIG-1

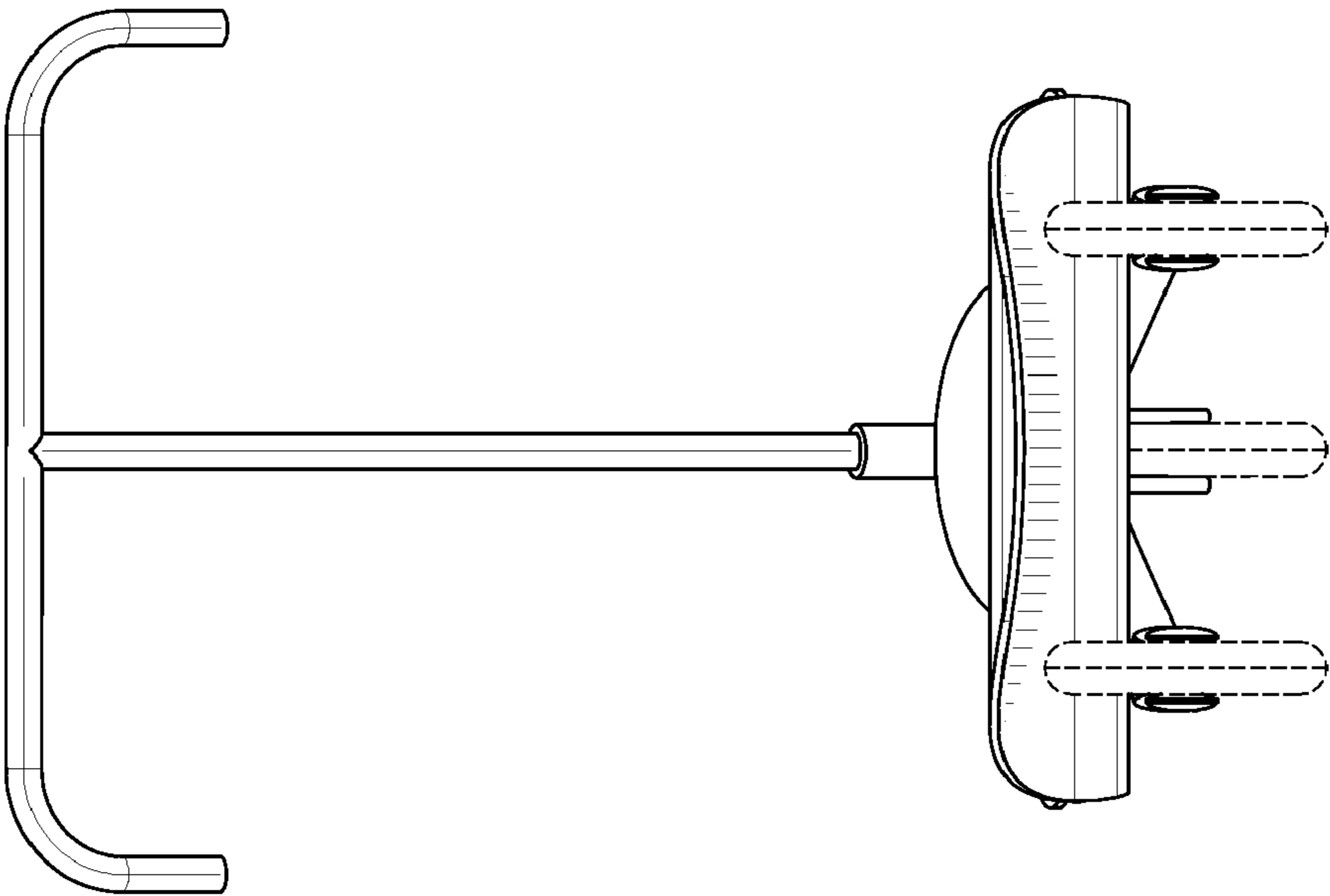


FIG-3

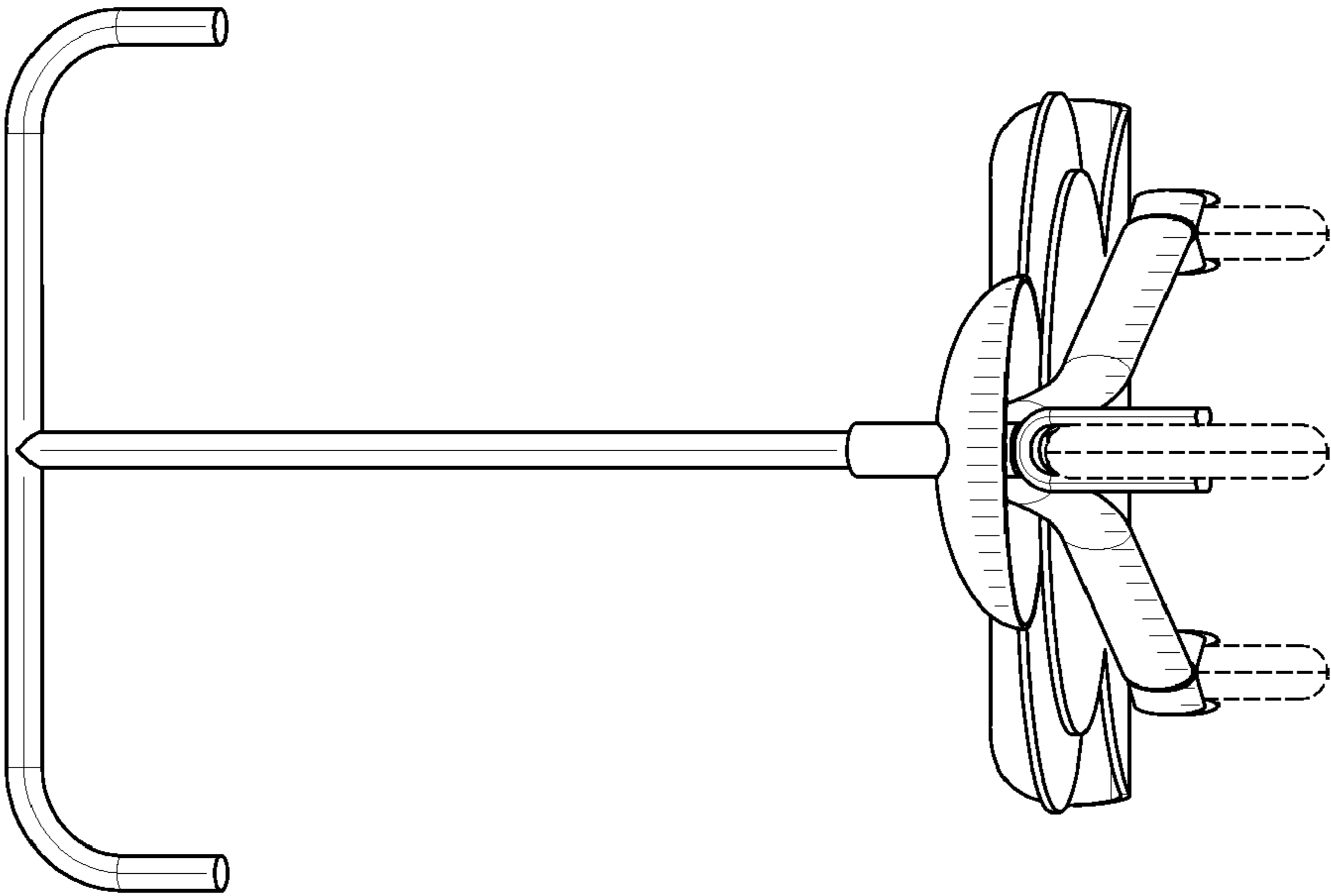


FIG-2

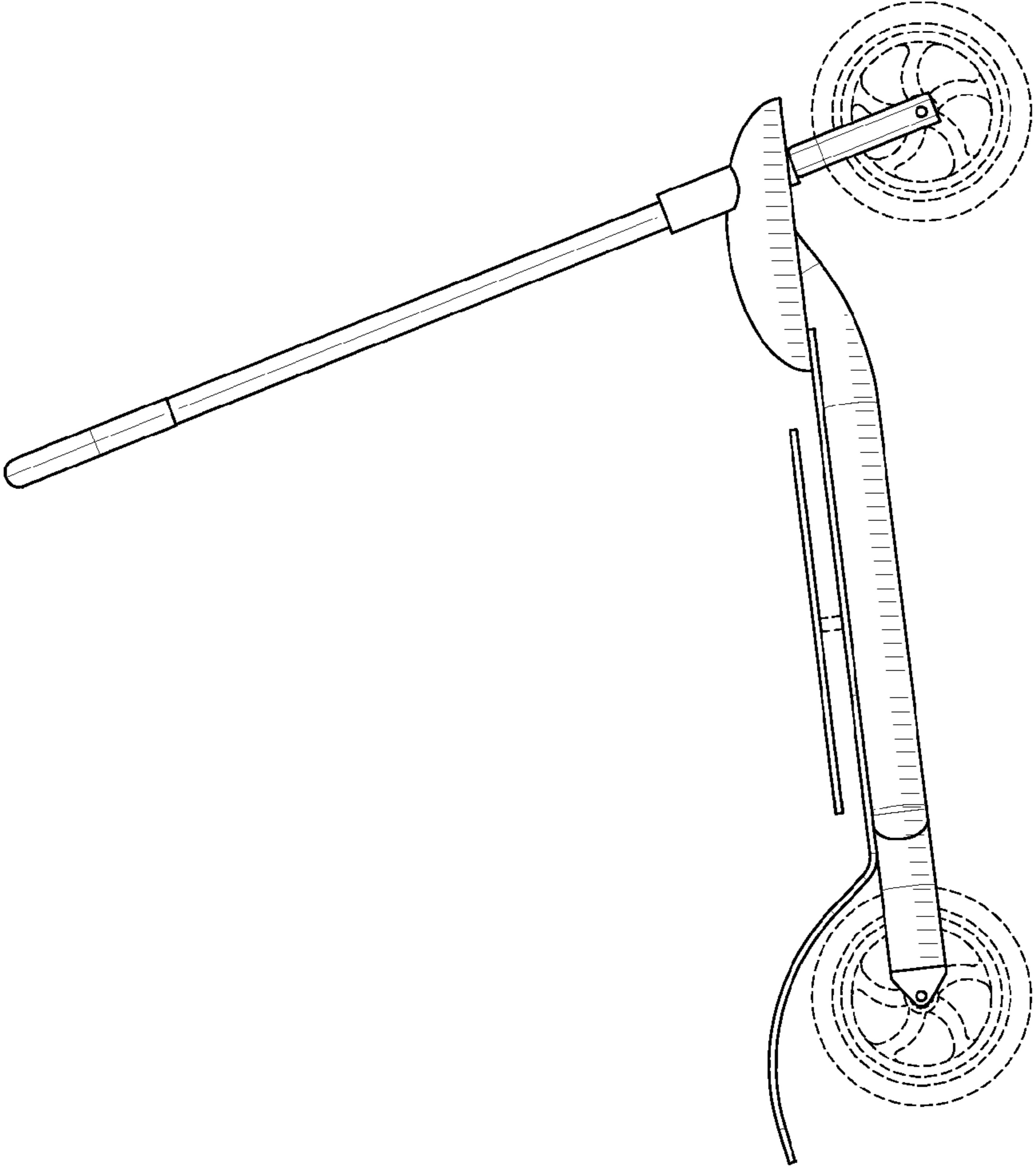


FIG-4

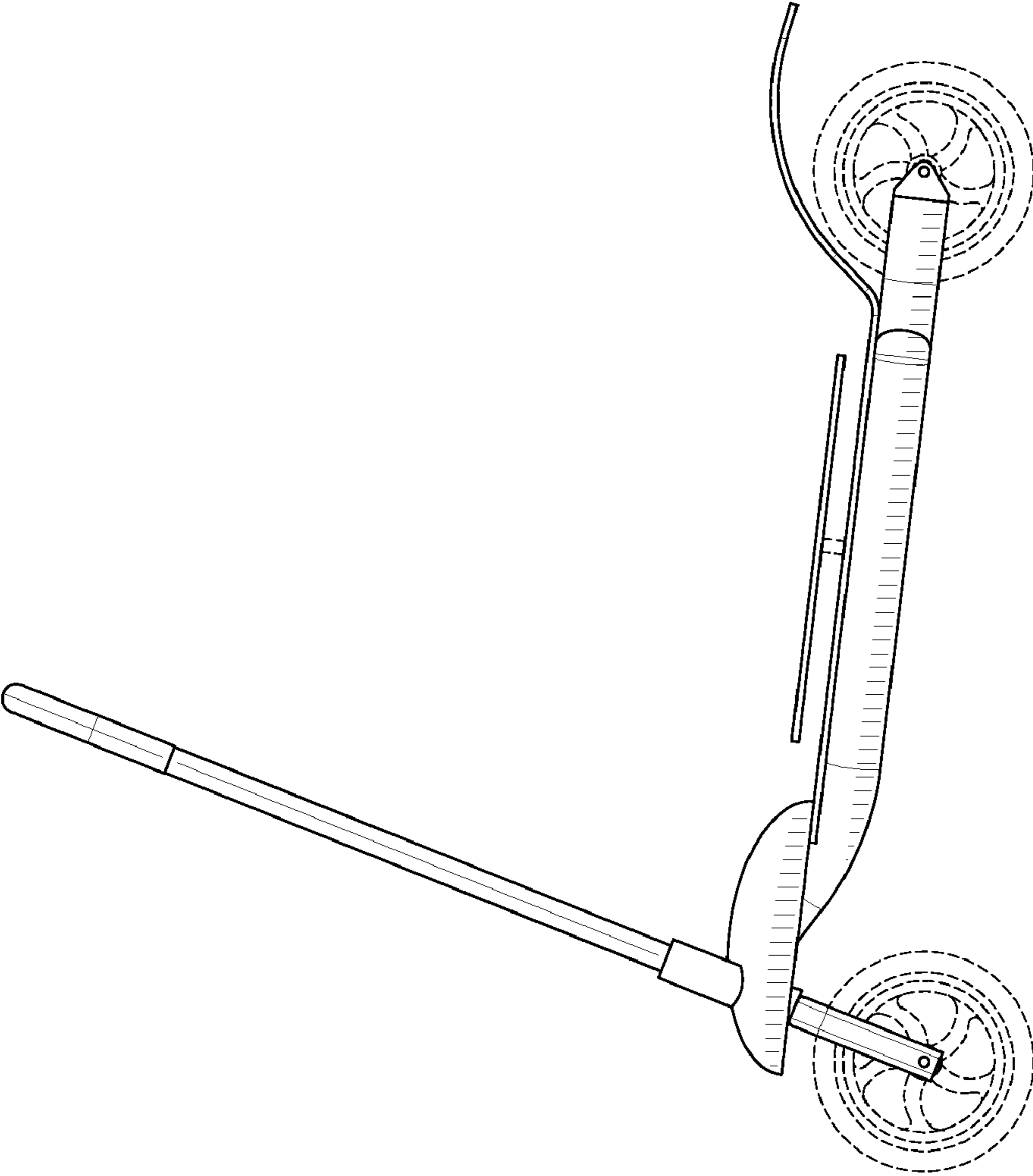


FIG-5

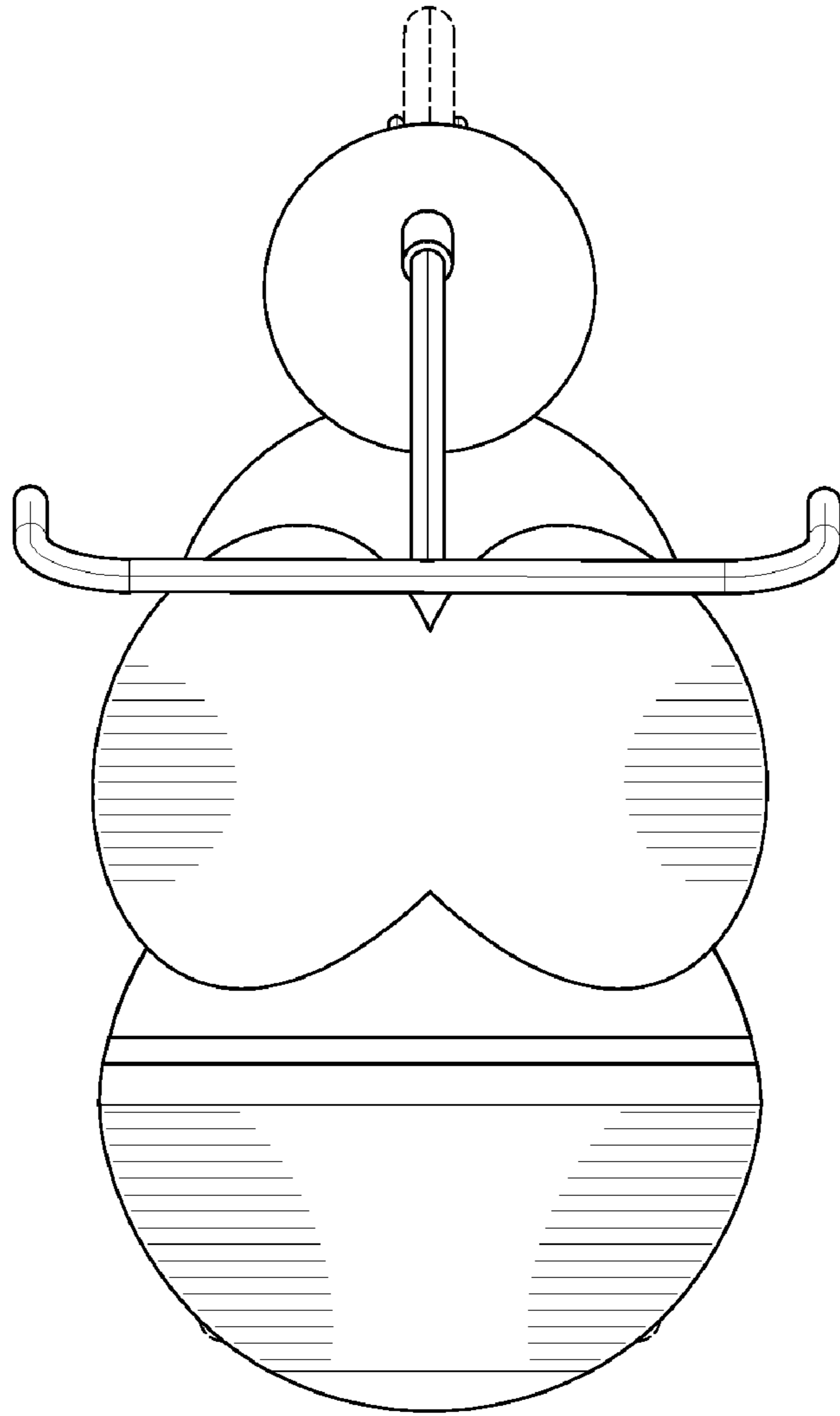


FIG-6

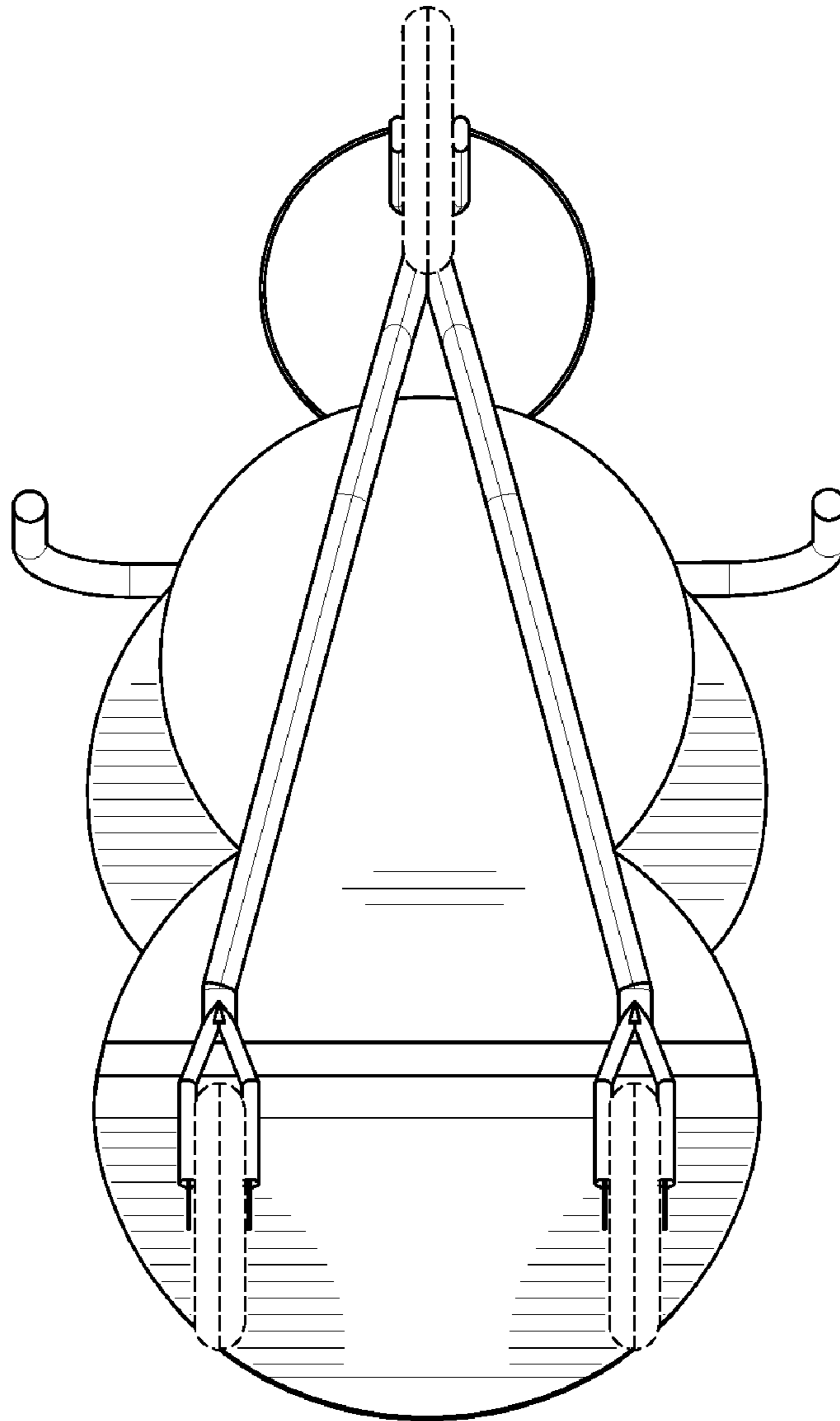


FIG-7