



US00D665851S

(12) **United States Design Patent**
Davis

(10) **Patent No.:** **US D665,851 S**

(45) **Date of Patent:** **** Aug. 21, 2012**

(54) **METAL CARD**

(75) Inventor: **Philip Davis**, Belcamp, MD (US)

(73) Assignee: **Crown Packaging Technology, Inc.**,
Alsip, IL (US)

(**) Term: **14 Years**

(21) Appl. No.: **29/397,855**

(22) Filed: **Jul. 21, 2011**

(51) **LOC (9) Cl.** **20-22**

(52) **U.S. Cl.** **D20/40; D20/27; D19/10**

(58) **Field of Classification Search** D20/10,
D20/19, 22-28, 40-42, 99; 40/124.01-124.09,
40/124.11-124.19, 124.191, 299.01, 427,
40/446, 472, 538, 541, 564, 571, 573, 584,
40/600, 616; D10/191.1, 109.2, 113.4; D19/1,
D19/6, 9, 10; 206/539; 235/492, 493; 428/38,
428/192, 194, 542.8; 434/428, 430; 362/655,
362/812; 604/379

See application file for complete search history.

(56) **References Cited**

U.S. PATENT DOCUMENTS

D18,025	S	*	1/1888	Kelsey	D19/1
3,248,273	A	*	4/1966	Boicey	428/38
3,928,921	A	*	12/1975	Gurman	434/428
4,139,955	A	*	2/1979	Reiback	40/427
4,333,253	A	*	6/1982	Cooper	40/584
5,620,778	A	*	4/1997	Clatworthy	428/167
5,667,876	A	*	9/1997	Radlicz	428/192

5,795,344	A	*	8/1998	Chappell	604/379
5,834,127	A		11/1998	Baerenwald et al.		
6,165,591	A	*	12/2000	Krauss	428/192
6,648,143	B2	*	11/2003	Robertson	206/539
7,220,471	B1	*	5/2007	Oami et al.	428/38
7,871,013	B2	*	1/2011	Schumann et al.	235/492
8,021,035	B2	*	9/2011	Anglikowski et al.	362/655
2007/0144046	A1	*	6/2007	Hardt, II	40/605

FOREIGN PATENT DOCUMENTS

EM	001918376-0001	9/2011
JP	H101998-35148	10/1998

* cited by examiner

Primary Examiner — Mary Ann Calabrese

(74) *Attorney, Agent, or Firm* — Woodcock Washburn LLP

(57) **CLAIM**

I claim the ornamental design for a metal card, as shown.

DESCRIPTION

FIG. 1 is a top perspective view of a metal card according to my new design.

FIG. 2 is a bottom perspective view from below the metal card.

FIG. 3 is a top plan view thereof.

FIG. 4 is a bottom plan view thereof.

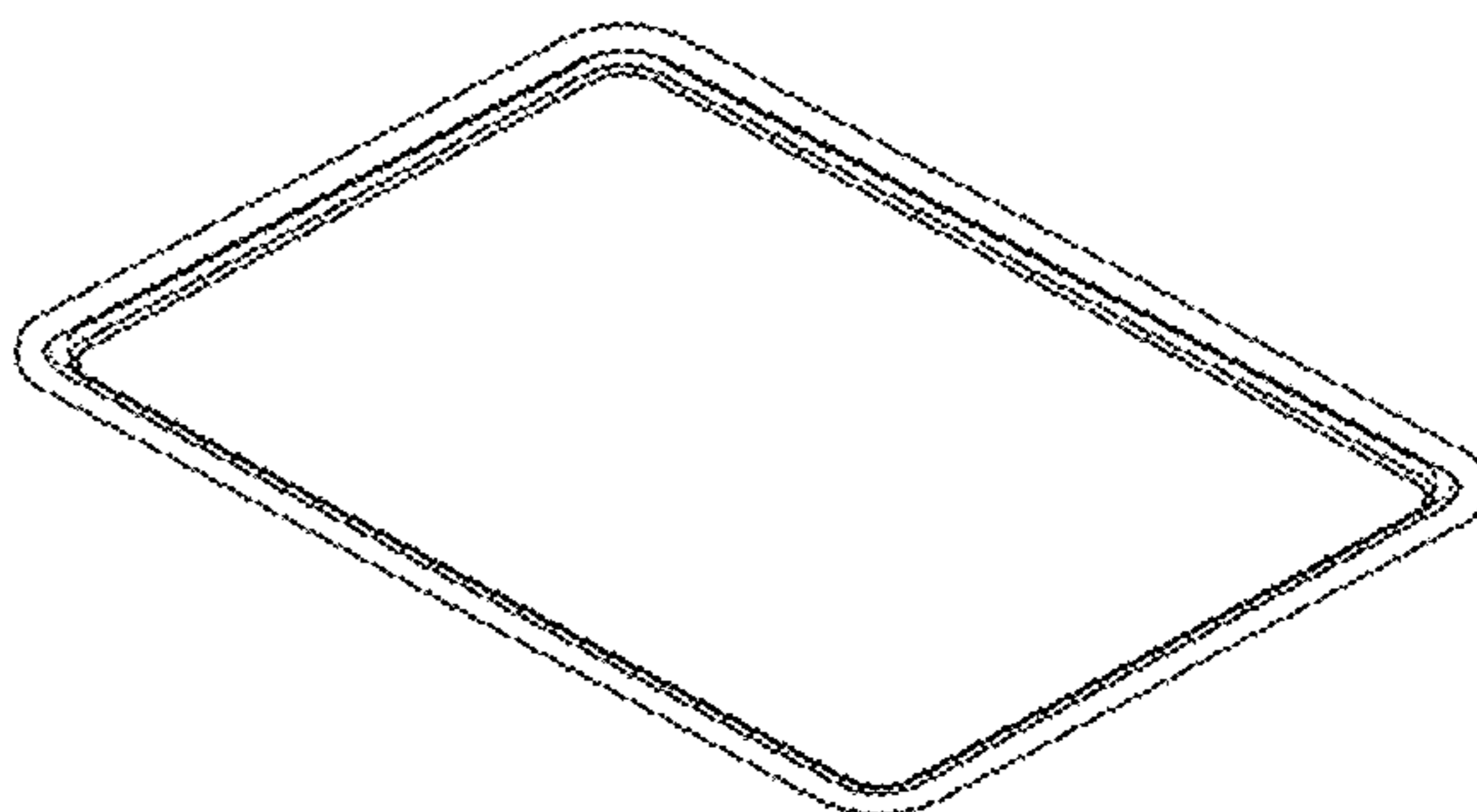
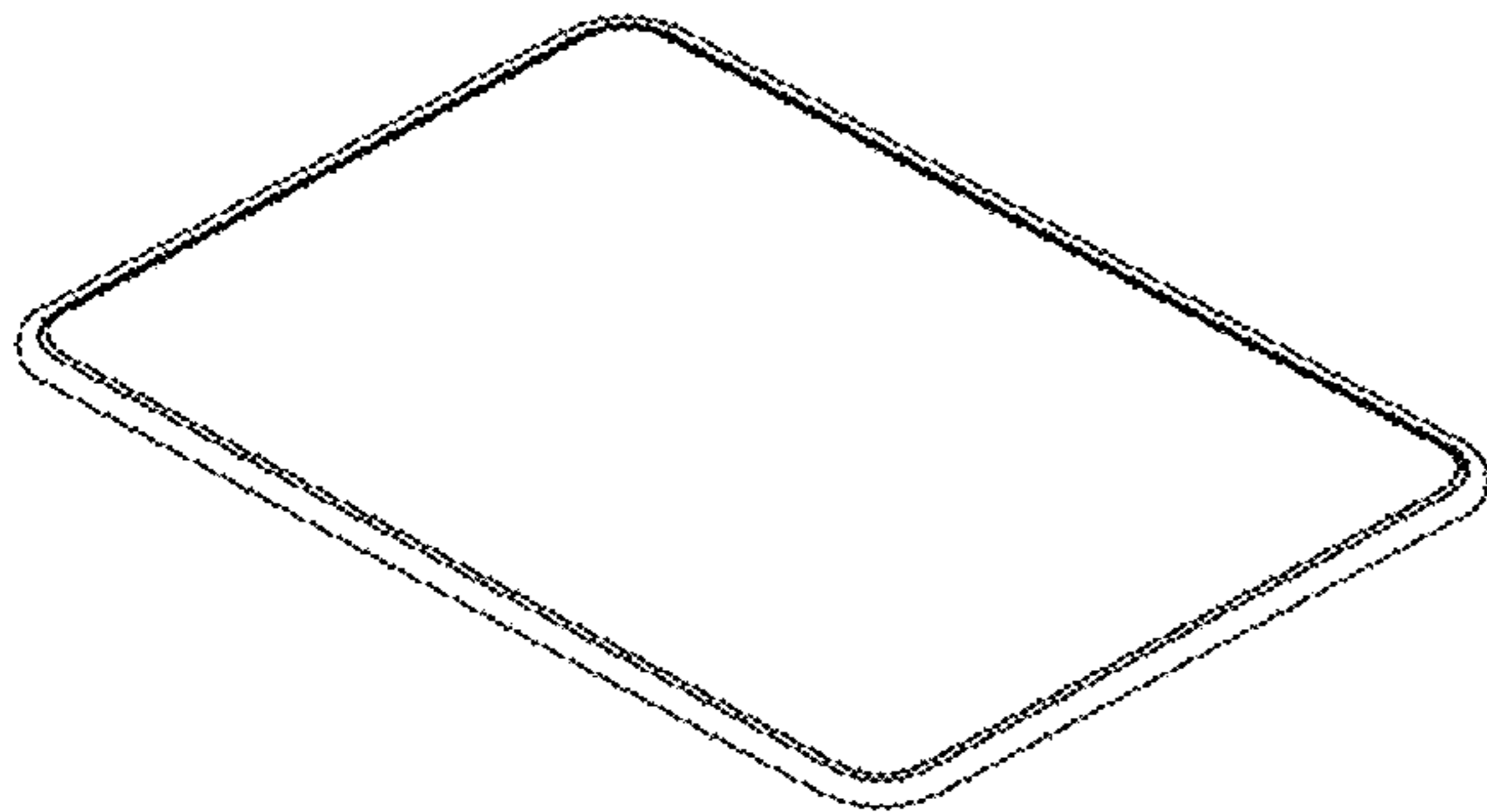
FIG. 5 is a front elevation view thereof.

FIG. 6 is a rear elevation view thereof.

FIG. 7 is a left side elevation view thereof; and,

FIG. 8 is a right side elevation view thereof.

1 Claim, 3 Drawing Sheets



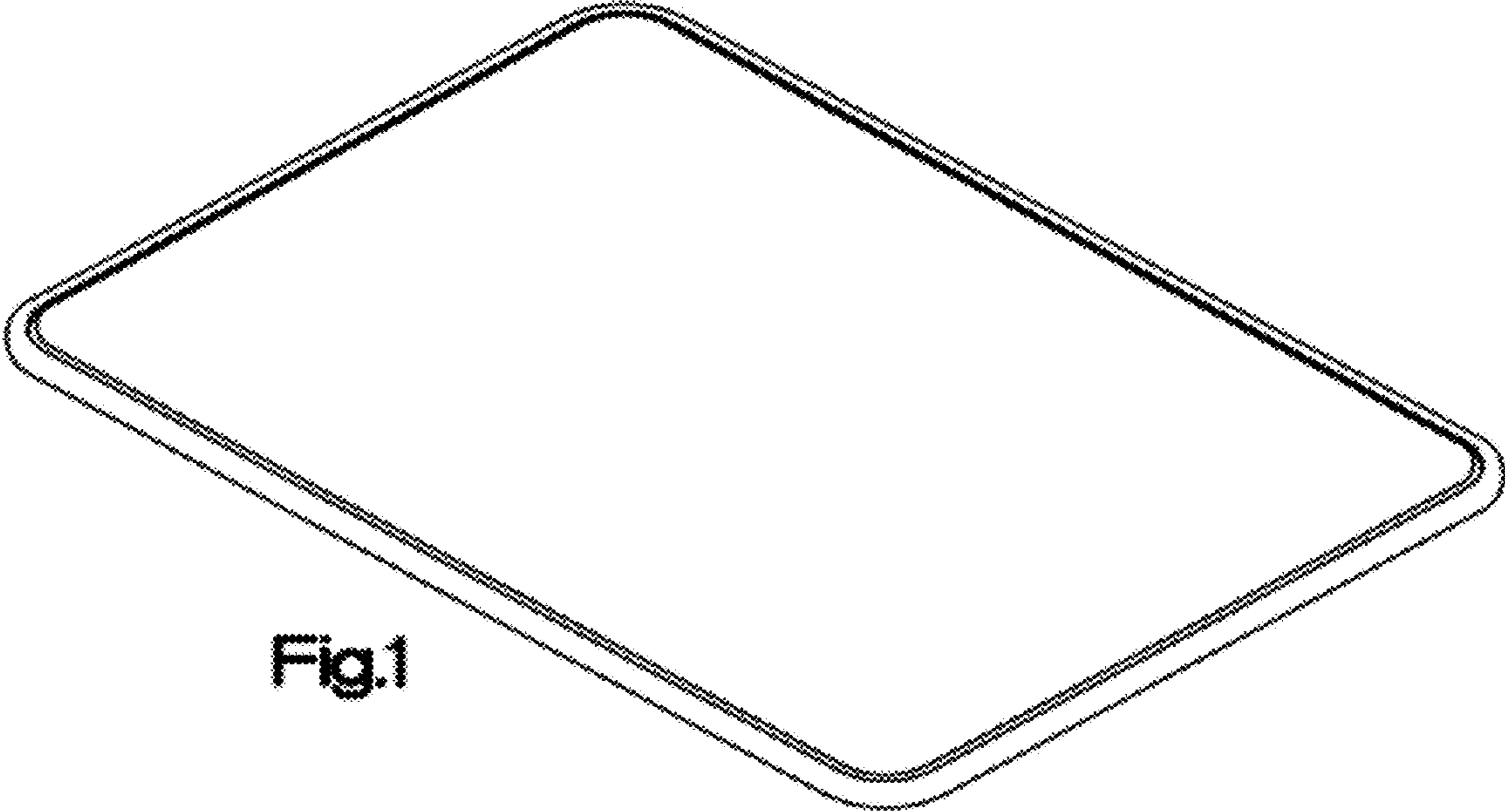


Fig.1

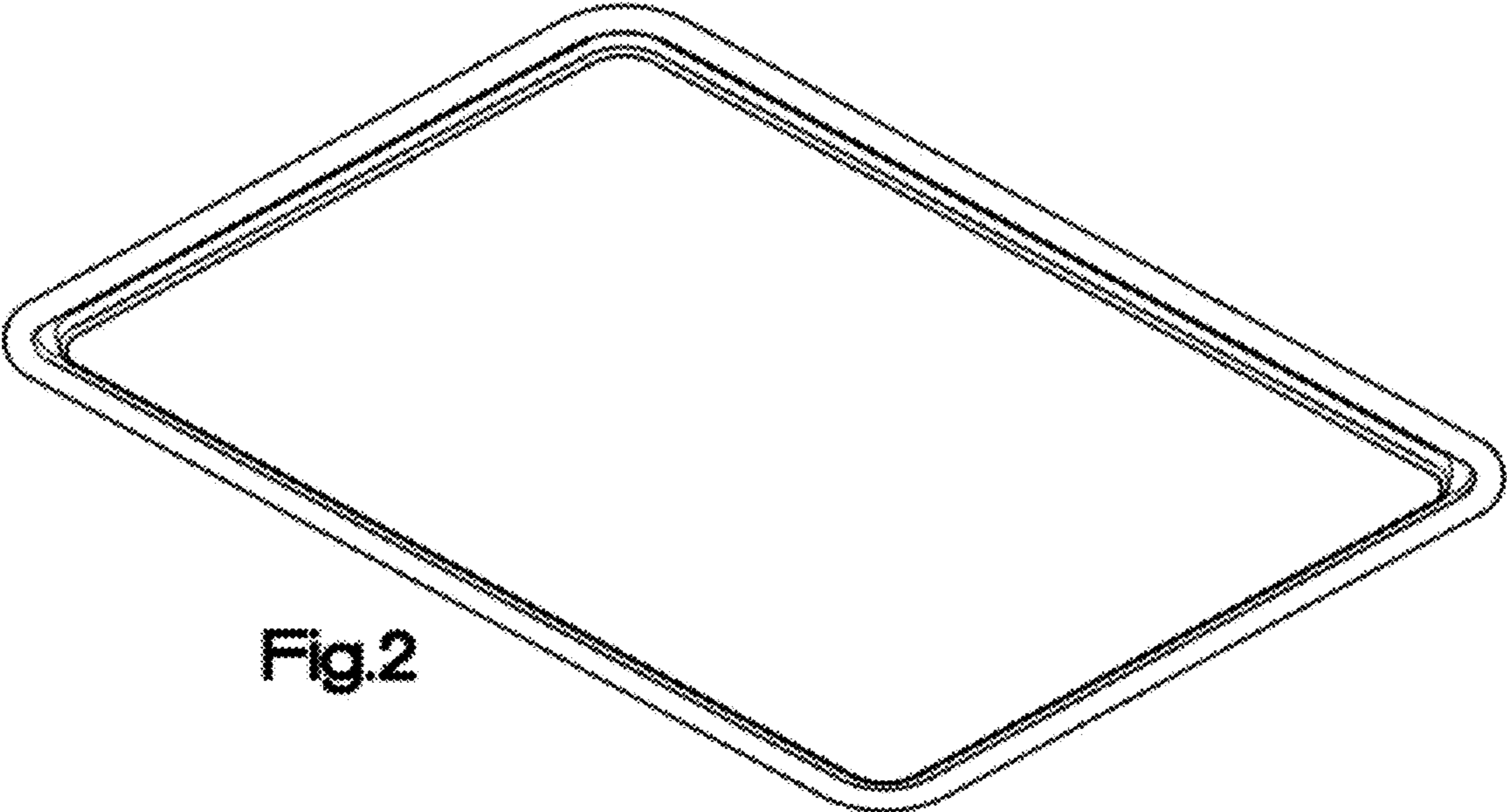


Fig.2

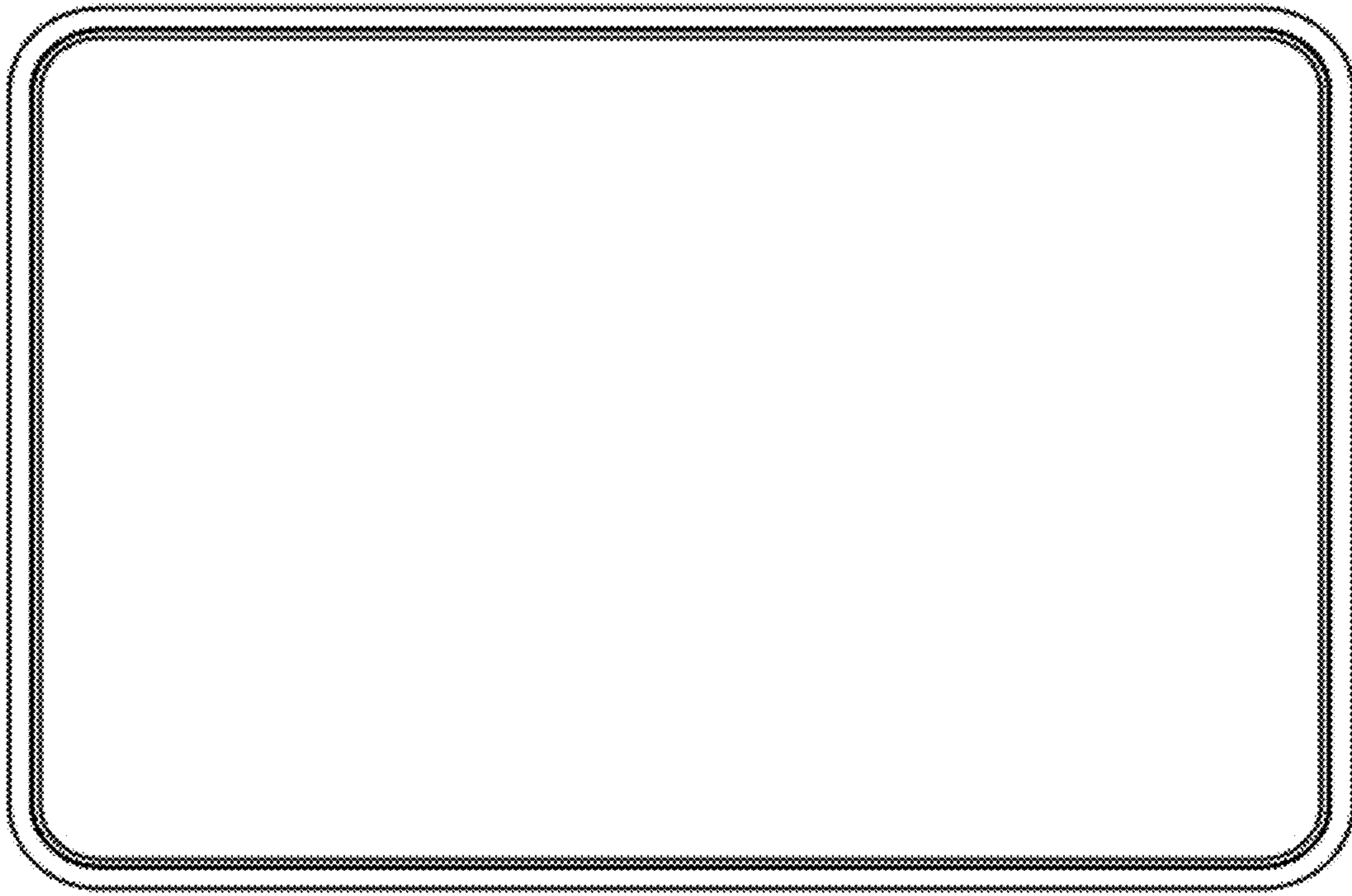


Fig.3

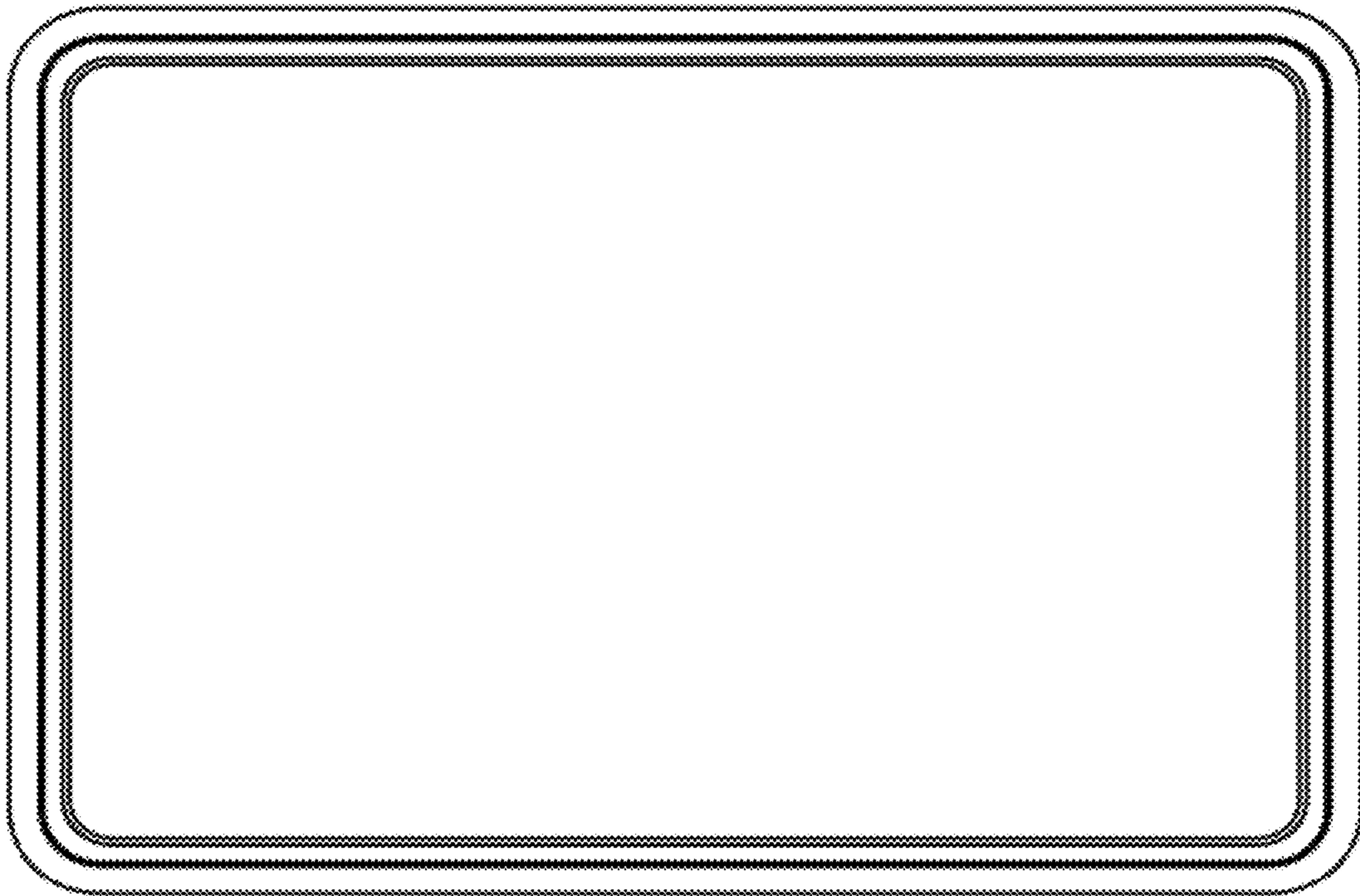


Fig.4



Fig.5

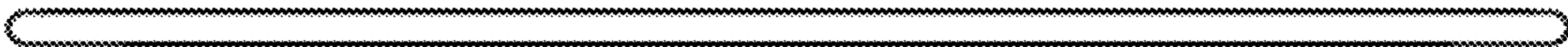


Fig.6

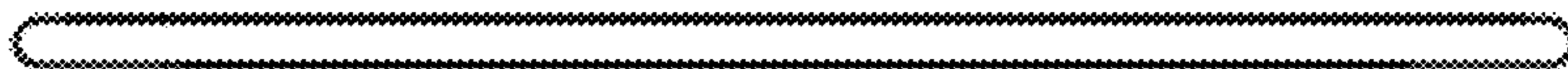


Fig.7



Fig.8