



US00D665847S

(12) **United States Design Patent**  
**Tsai**

(10) **Patent No.:** **US D665,847 S**

(45) **Date of Patent:** **\*\* Aug. 21, 2012**

(54) **STACKING PAPER TRAY**

(75) **Inventor:** **Yung-Teng Tsai**, Secaucus, NJ (US)

(73) **Assignee:** **Officemate International Corp.**,  
Edison, NJ (US)

(\*\*) **Term:** **14 Years**

(21) **Appl. No.:** **29/373,882**

(22) **Filed:** **Jun. 3, 2011**

(51) **LOC (9) Cl.** ..... **19-02**

(52) **U.S. Cl.** ..... **D19/92**

(58) **Field of Classification Search** ..... D3/304,  
D3/310, 314, 315; D6/449, 475, 510, 512;  
D9/414; D19/75, 77-92, 99, 100; 206/215,  
206/449, 558; 211/126.1

See application file for complete search history.

(56) **References Cited**

**U.S. PATENT DOCUMENTS**

D289,181 S *	4/1987	Solomon	.....	D19/90
D294,601 S *	3/1988	Klodt	.....	D19/92
D296,706 S *	7/1988	Evans	.....	D19/92
D314,398 S *	2/1991	Aaldenberg et al.	.....	D19/92
D319,473 S *	8/1991	Aaldenberg et al.	.....	D19/92
D327,295 S *	6/1992	Szablak et al.	.....	D19/92
D334,412 S *	3/1993	Feer	.....	D19/92

D337,127 S *	7/1993	Aaldenberg	.....	D19/92
D338,917 S *	8/1993	Aaldenberg	.....	D19/92
D378,821 S *	4/1997	Westcott	.....	D15/89
D479,273 S *	9/2003	Chang	.....	D19/92
D480,111 S *	9/2003	White et al.	.....	D19/92
7,320,405 B2 *	1/2008	Stahl	.....	206/509
D598,684 S *	8/2009	Stahl	.....	D6/511
7,637,373 B2 *	12/2009	Stahl	.....	206/512
D648,801 S *	11/2011	Chuang	.....	D19/92
D648,802 S *	11/2011	Chuang	.....	D19/92
8,047,369 B2 *	11/2011	Stahl	.....	206/506

\* cited by examiner

*Primary Examiner* — Elizabeth Albert

(74) *Attorney, Agent, or Firm* — Daniel Kirshner

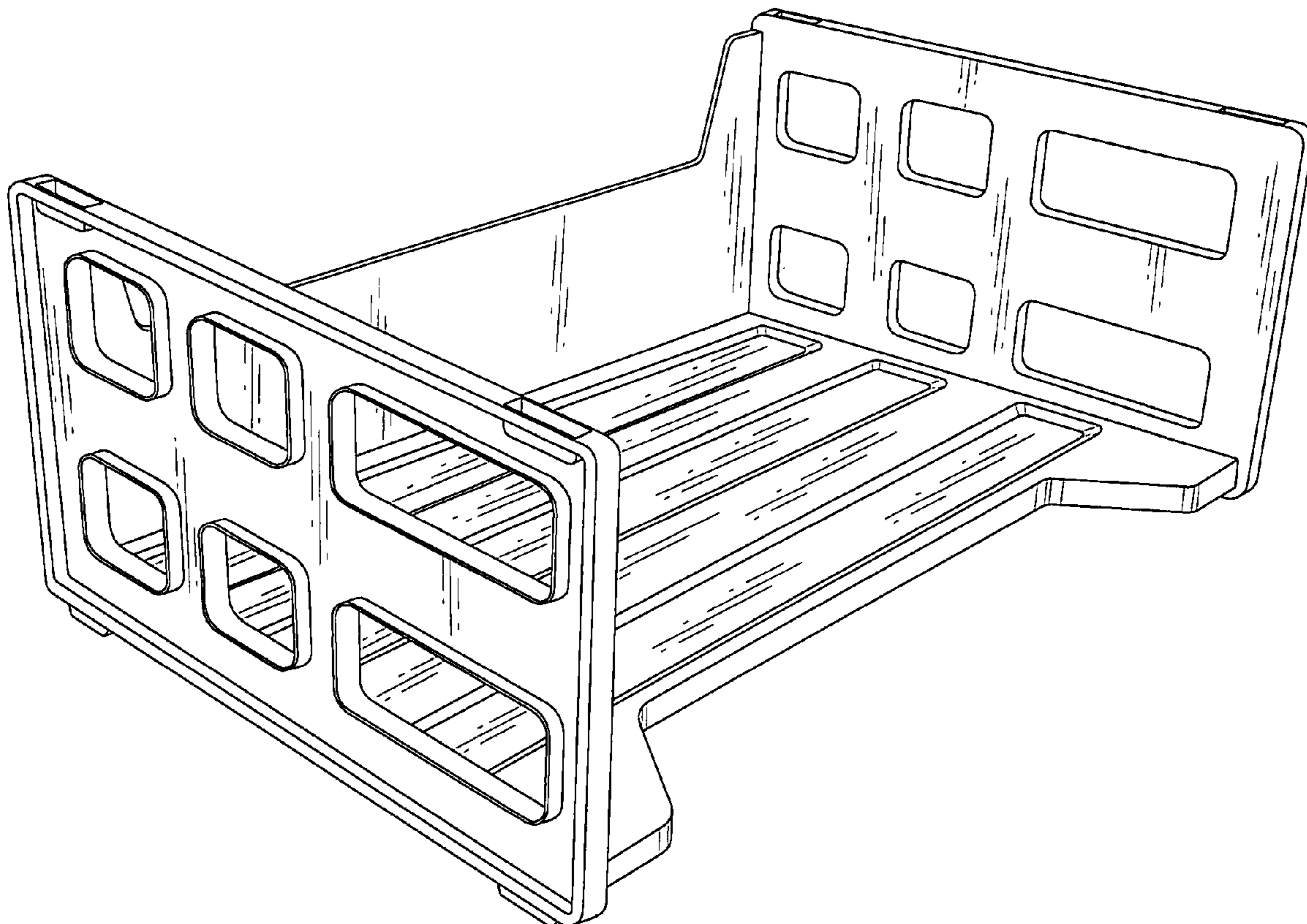
(57) **CLAIM**

The ornamental design for a stacking paper tray, as shown and described.

**DESCRIPTION**

FIG. 1 is a front perspective view of an stacking paper tray showing the new design;  
FIG. 2 is a rear perspective view thereof;  
FIG. 3 is a front view thereof;  
FIG. 4 is a rear view thereof;  
FIG. 5 is a left side thereof;  
FIG. 6 is a right side thereof;  
FIG. 7 is a top view thereof; and,  
FIG. 8 is a bottom view thereof.

**1 Claim, 8 Drawing Sheets**



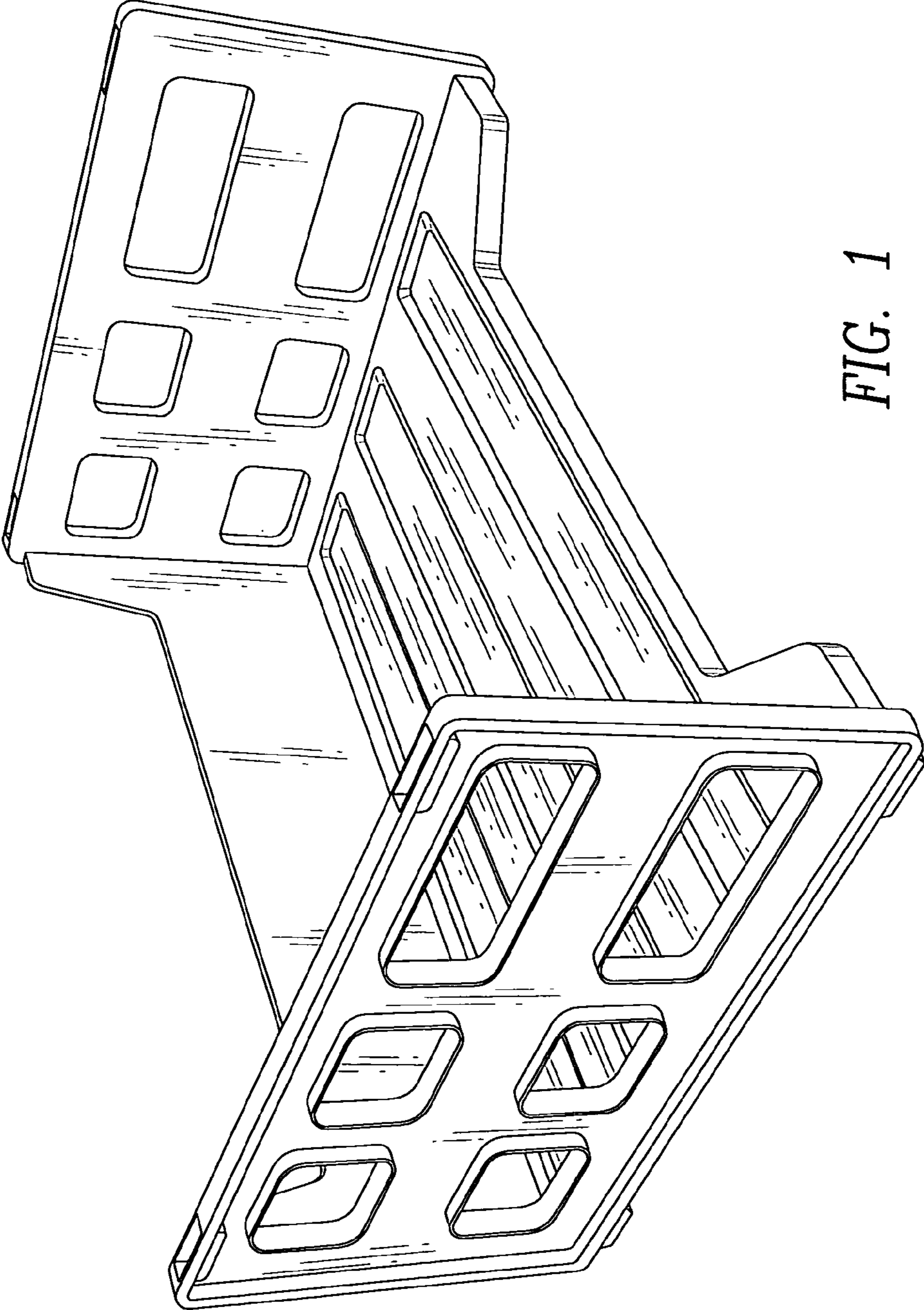


FIG. 1

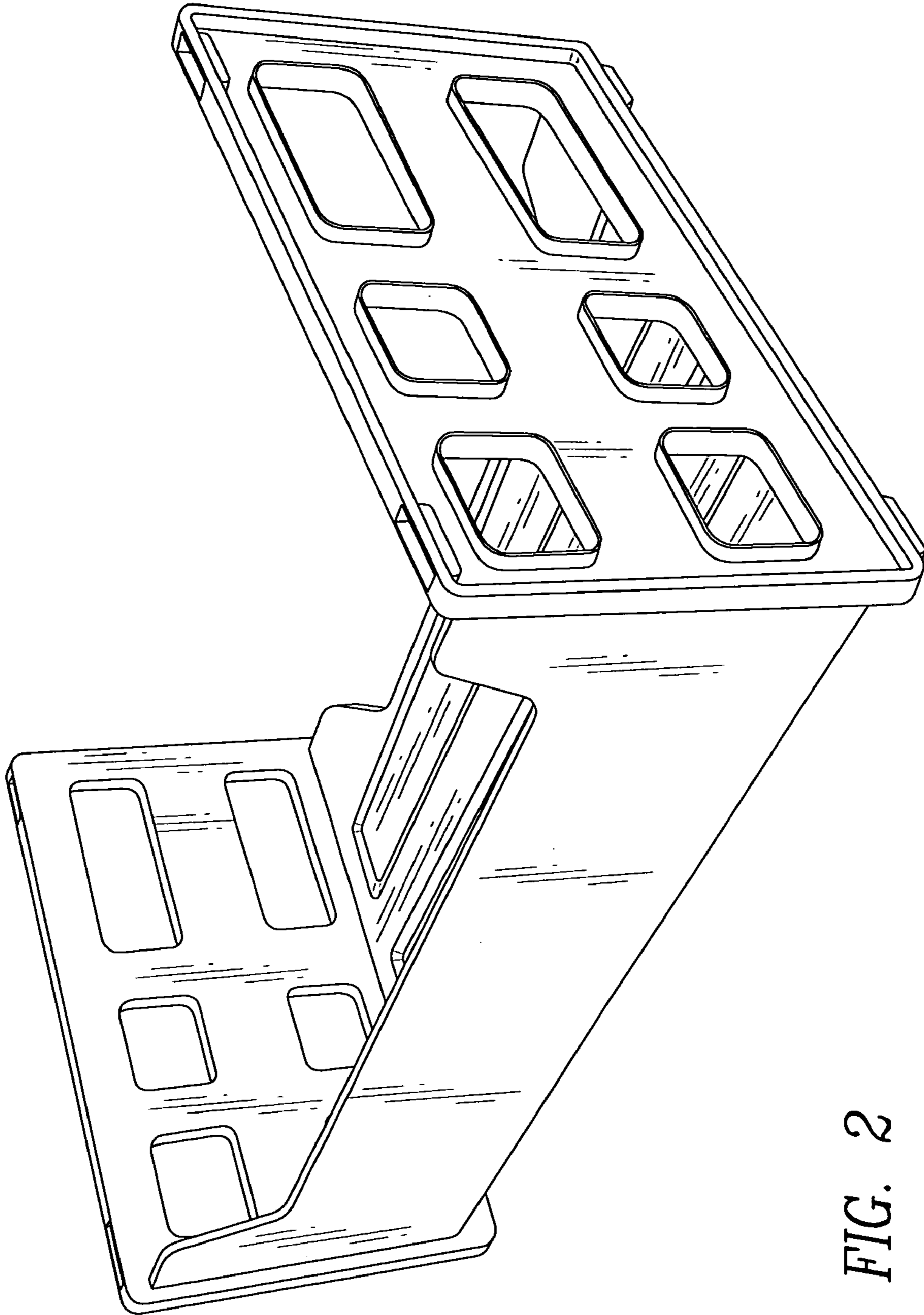


FIG. 2

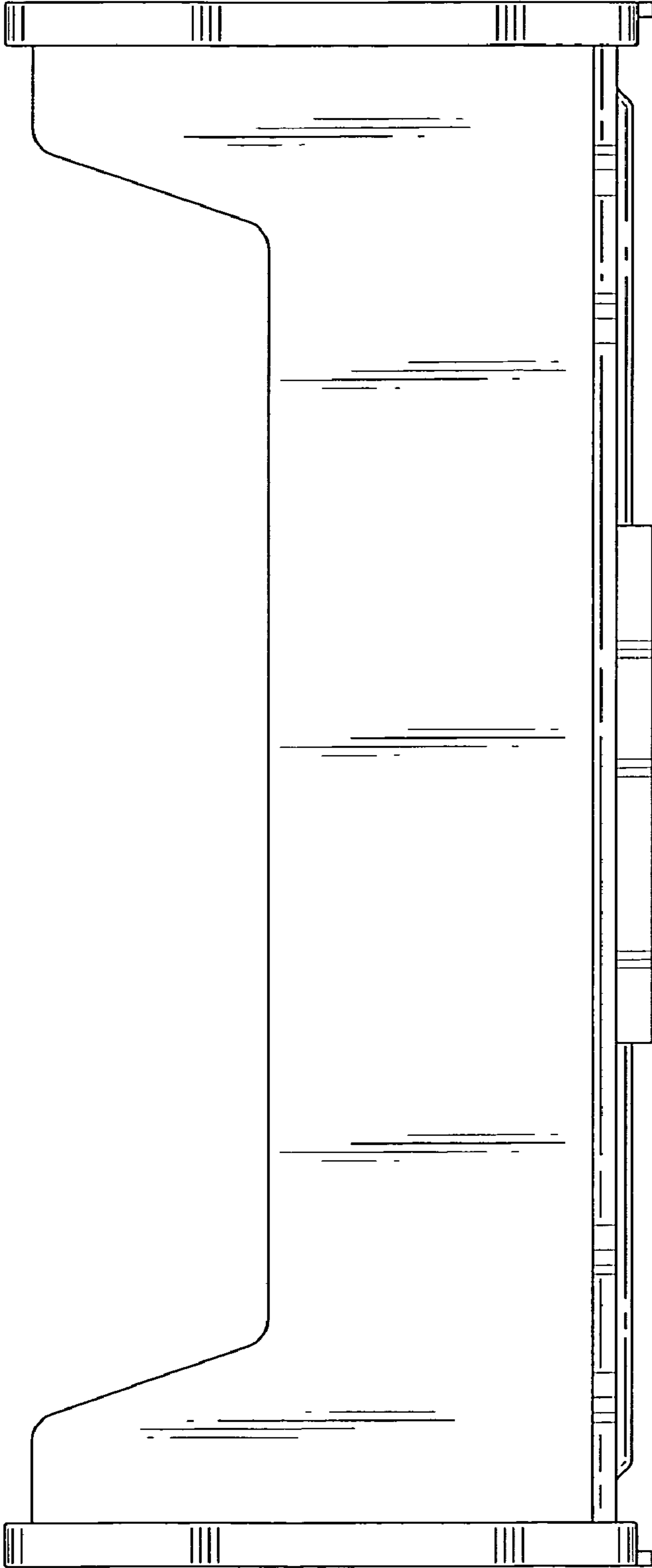


FIG. 3



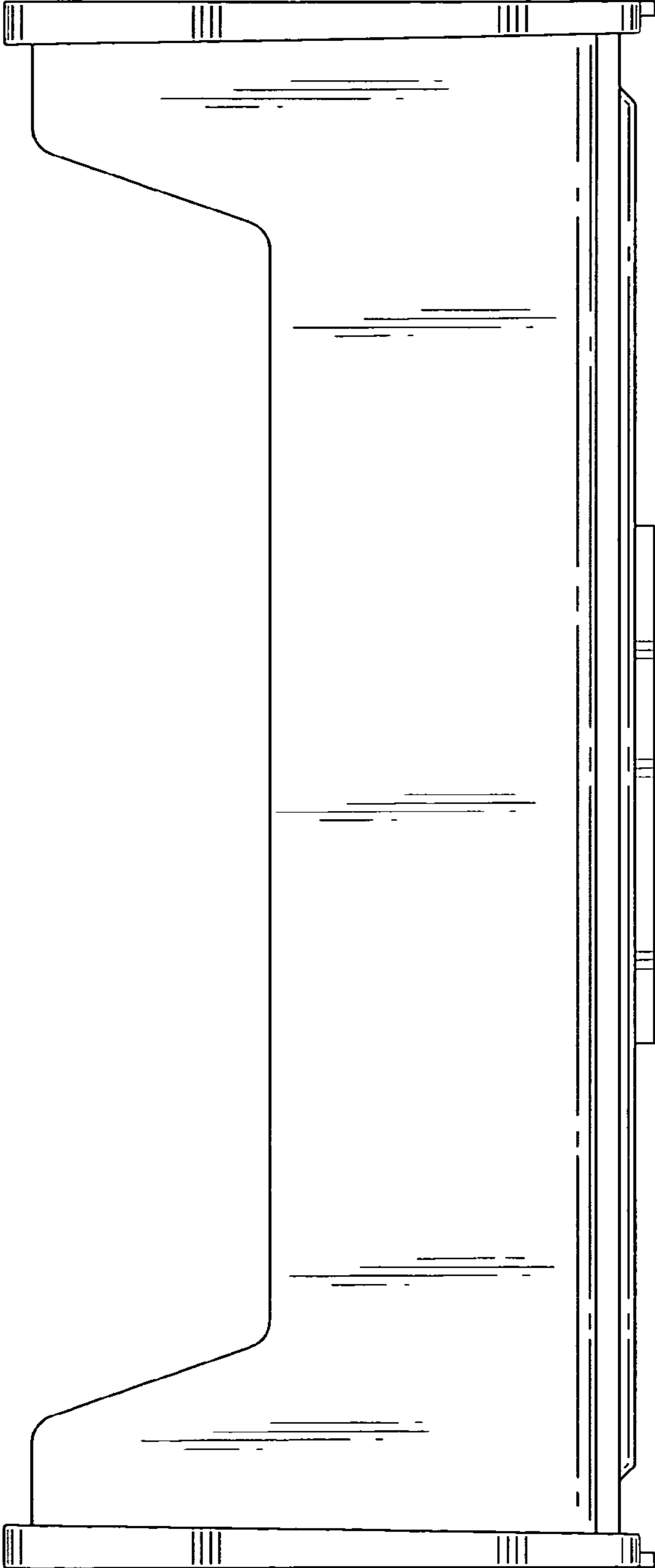


FIG. 4

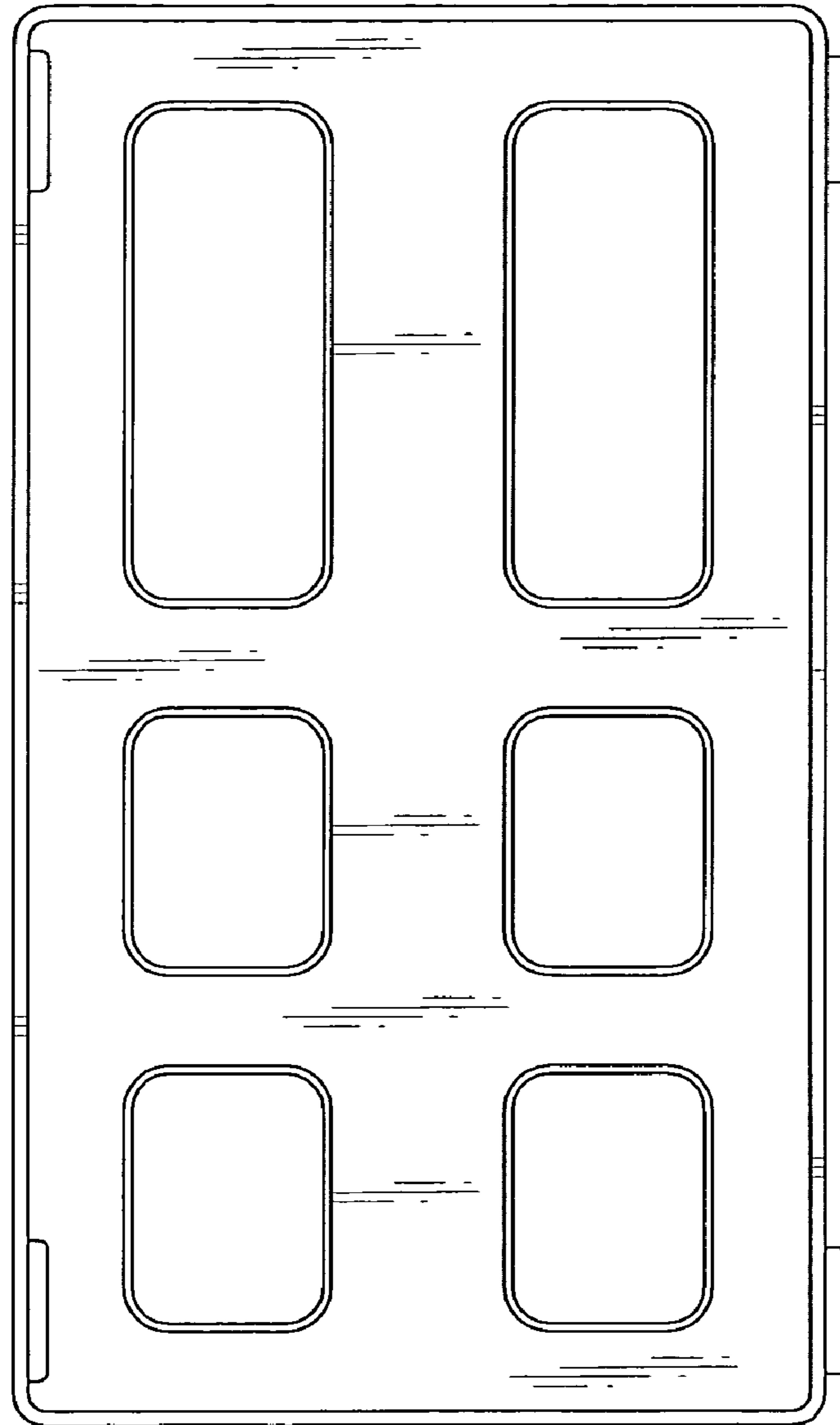


FIG. 5

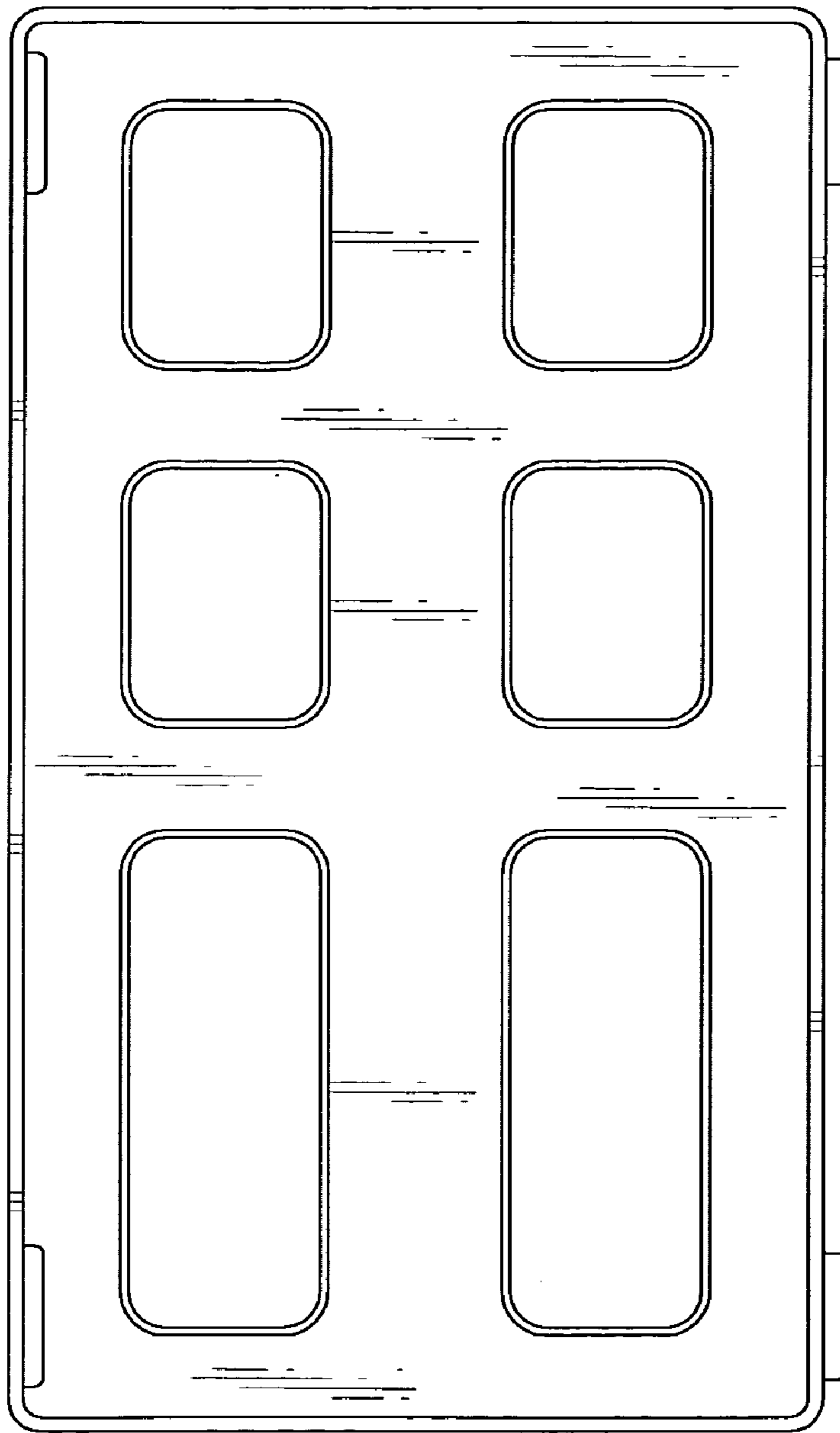


FIG. 6

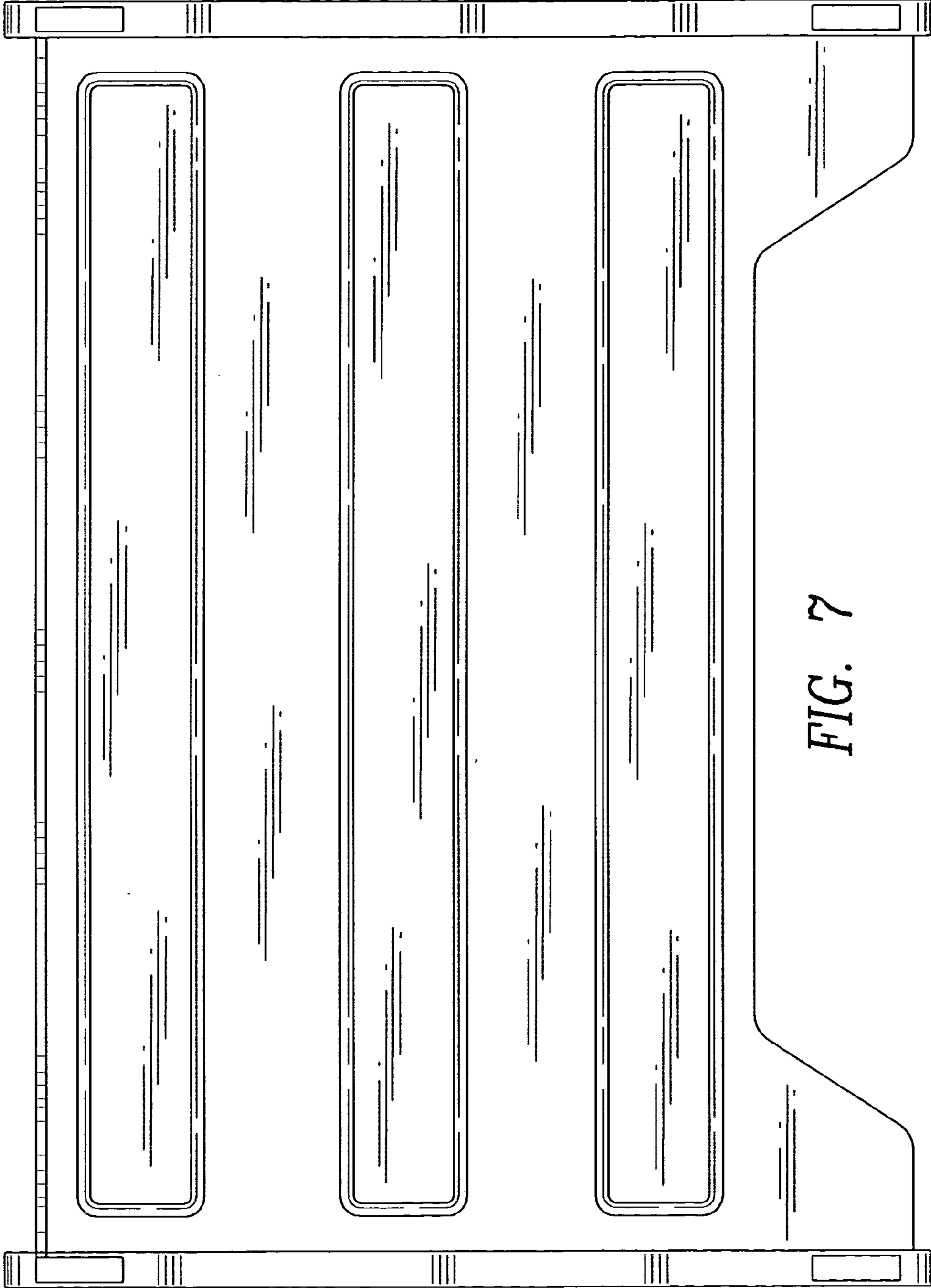


FIG. 7



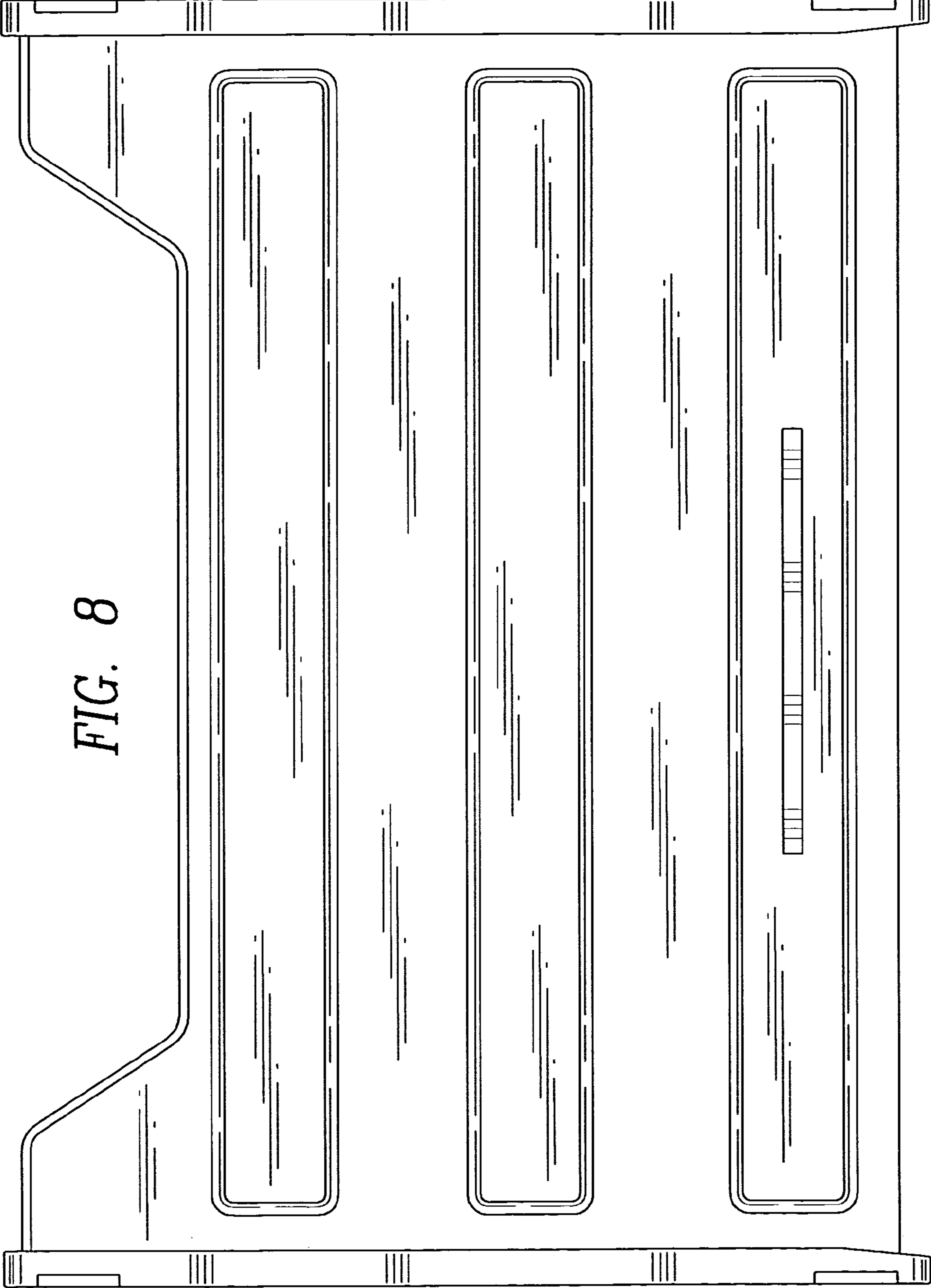


FIG. 8