

US00D665844S

(12) **United States Design Patent**  
**Chuang**

(10) **Patent No.:** **US D665,844 S**

(45) **Date of Patent:** **\*\* Aug. 21, 2012**

(54) **SUPPLY ORGANIZER**

(75) Inventor: **Chih-Wei Chuang**, Edison, NJ (US)

(73) Assignee: **Officemate International Corp.**,  
Edison, NJ (US)

(\*\*) Term: **14 Years**

(21) Appl. No.: **29/373,280**

(22) Filed: **Mar. 25, 2011**

(51) **LOC (9) Cl.** ..... **19-02**

(52) **U.S. Cl.** ..... **D19/77**

(58) **Field of Classification Search** ..... D3/284,  
D3/310, 314, 315, 901, 903; D6/475, 512;  
D7/501, 640, 641; D9/737; D19/75, 77-92,  
D19/99, 100; 206/214, 224, 371, 558  
See application file for complete search history.

D462,998 S *	9/2002	Slater et al.	.....	D19/85
D477,636 S *	7/2003	Chen	.....	D19/85
D477,848 S *	7/2003	Chen	.....	D19/78
D486,184 S *	2/2004	Leithaeuser	.....	D19/77
D510,953 S *	10/2005	Chen et al.	.....	D19/77
D511,546 S *	11/2005	Trombly	.....	D19/77
D581,982 S *	12/2008	Bhavnani	.....	D19/77
D634,546 S *	3/2011	Horwitz	.....	D3/320
D650,862 S *	12/2011	Chuang	.....	D19/77
2009/0084691 A1 *	4/2009	Palacios	.....	206/214
2010/0065446 A1 *	3/2010	Palacios	.....	206/214
2010/0072087 A1 *	3/2010	Palacios	.....	206/214
2010/0072088 A1 *	3/2010	Palacios	.....	206/214

\* cited by examiner

*Primary Examiner* — Elizabeth Albert

(74) *Attorney, Agent, or Firm* — Daniel Kirshner

(57) **CLAIM**

The ornamental design for a supply organizer, as shown and described.

(56) **References Cited**

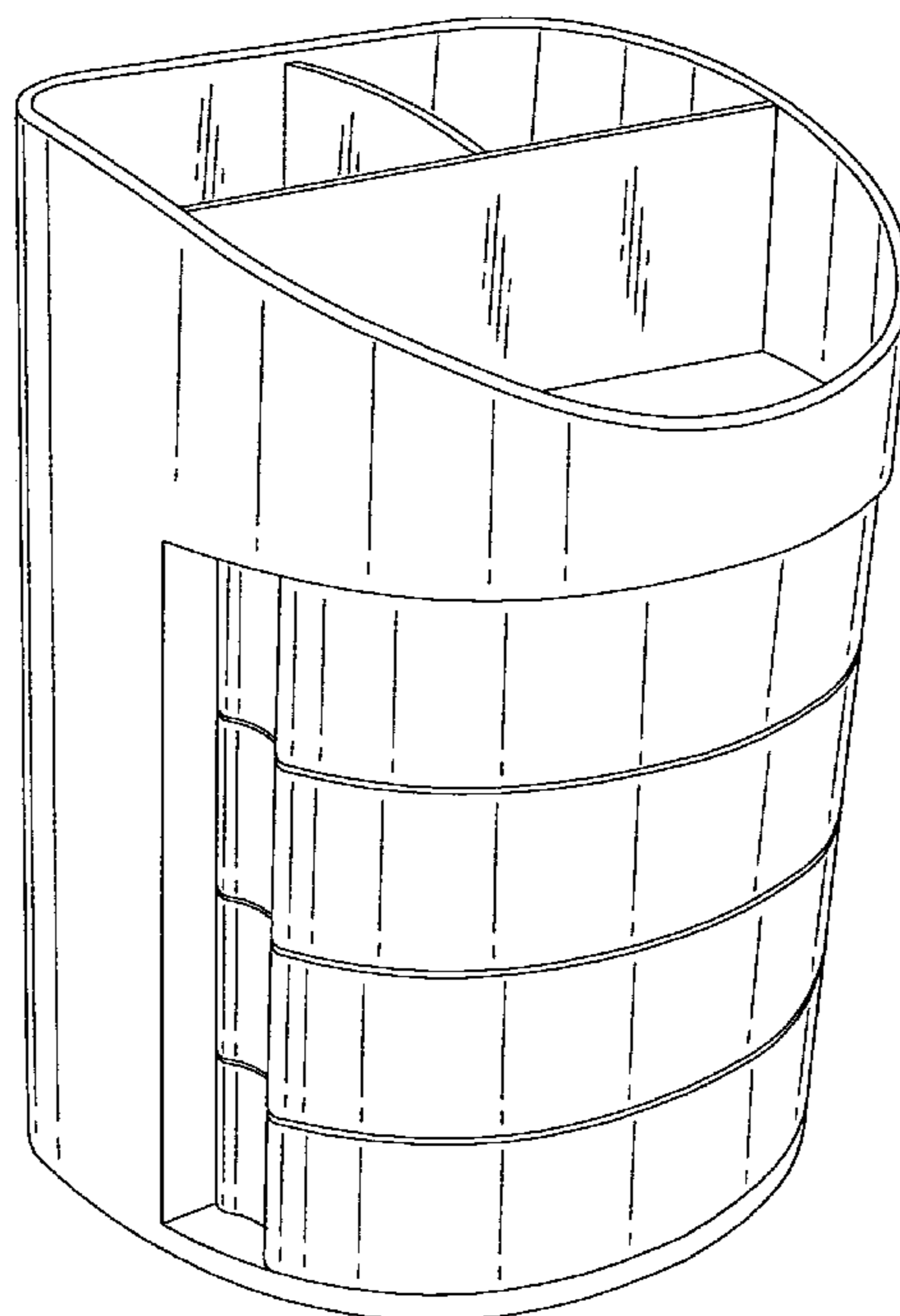
**U.S. PATENT DOCUMENTS**

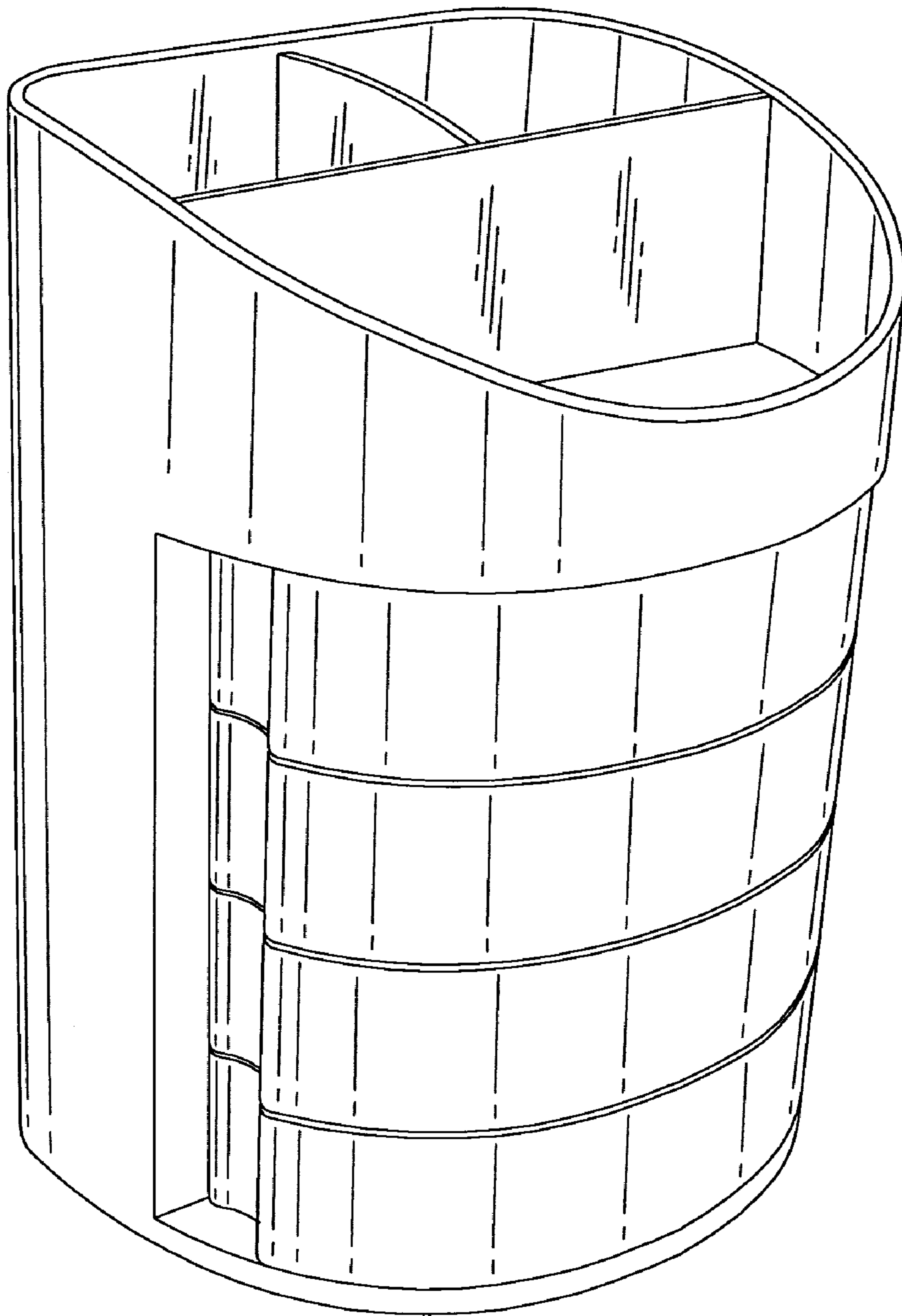
D209,438 S *	11/1967	Rothman	.....	D3/296
4,239,308 A *	12/1980	Bradley	.....	312/201
D267,153 S *	12/1982	Lebowitz	.....	D19/77
D308,076 S *	5/1990	Gecchelin	.....	D19/85
D311,213 S *	10/1990	Ancona et al.	.....	D19/77
D328,472 S *	8/1992	Ancona et al.	.....	D19/77
D334,949 S *	4/1993	Evenson	.....	D19/85
D336,703 S *	6/1993	Mason et al.	.....	D34/1
D339,824 S *	9/1993	Ancona et al.	.....	D19/77
D364,189 S *	11/1995	Trombly	.....	D19/77
D370,028 S *	5/1996	Berger et al.	.....	D19/75
D376,295 S *	12/1996	Ahern et al.	.....	D7/549
D387,093 S *	12/1997	Liang	.....	D19/85
D417,957 S *	12/1999	Wolf	.....	D3/297
D430,215 S *	8/2000	Trombly	.....	D19/77

**DESCRIPTION**

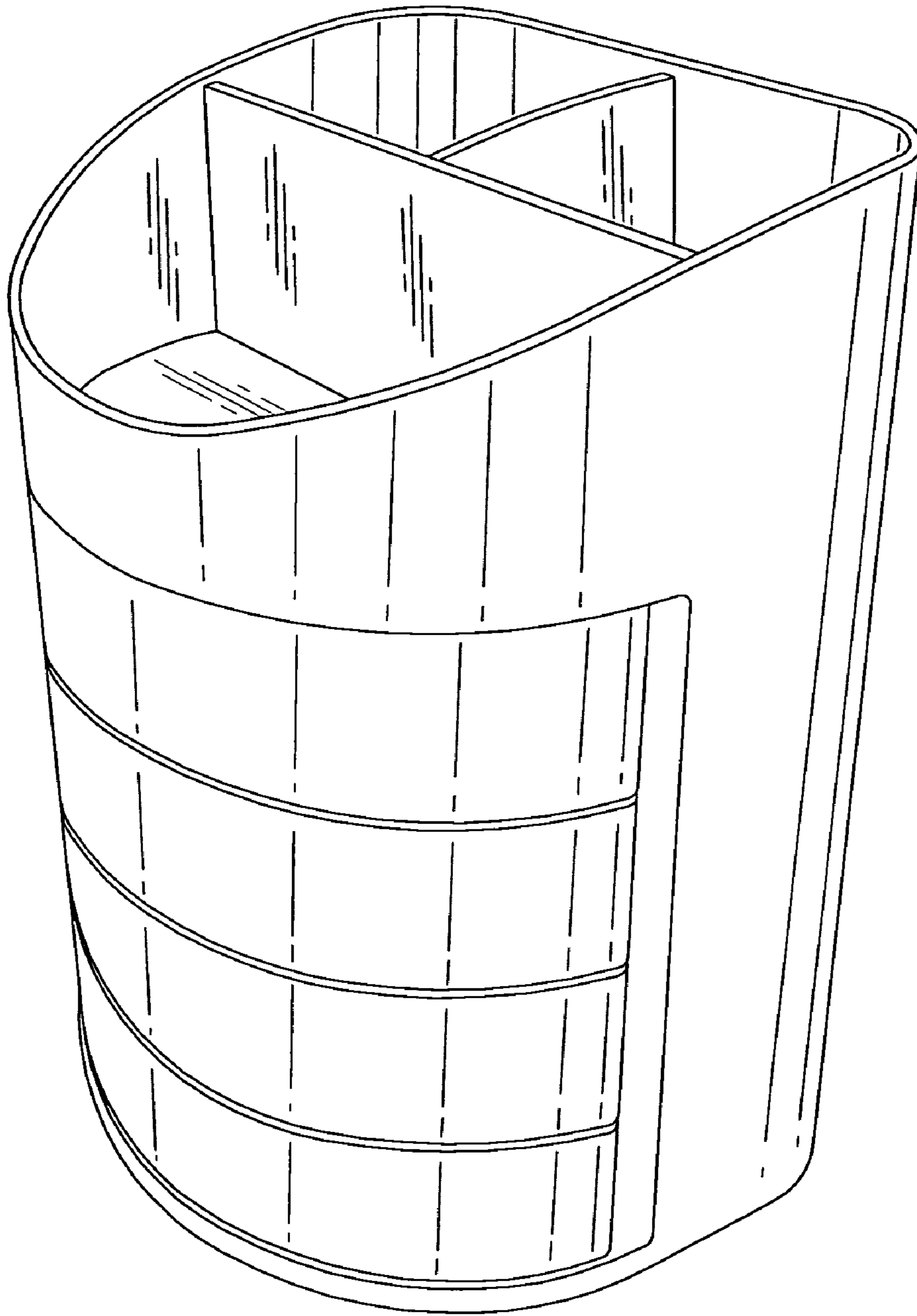
FIG. 1 is a front perspective view of a supply organizer showing the new design;  
FIG. 2 is a front perspective view thereof;  
FIG. 3 is a front view thereof;  
FIG. 4 is a rear view thereof;  
FIG. 5 is a left side view thereof;  
FIG. 6 is a right side view thereof;  
FIG. 7 is a top view thereof; and,  
FIG. 8 is a bottom view thereof.  
The broken lines showing the bottom surfaces in in FIGS. 7 and 8 are included for the purpose of illustrating parts of the supply organizer that form no part of the claimed design.

**1 Claim, 8 Drawing Sheets**

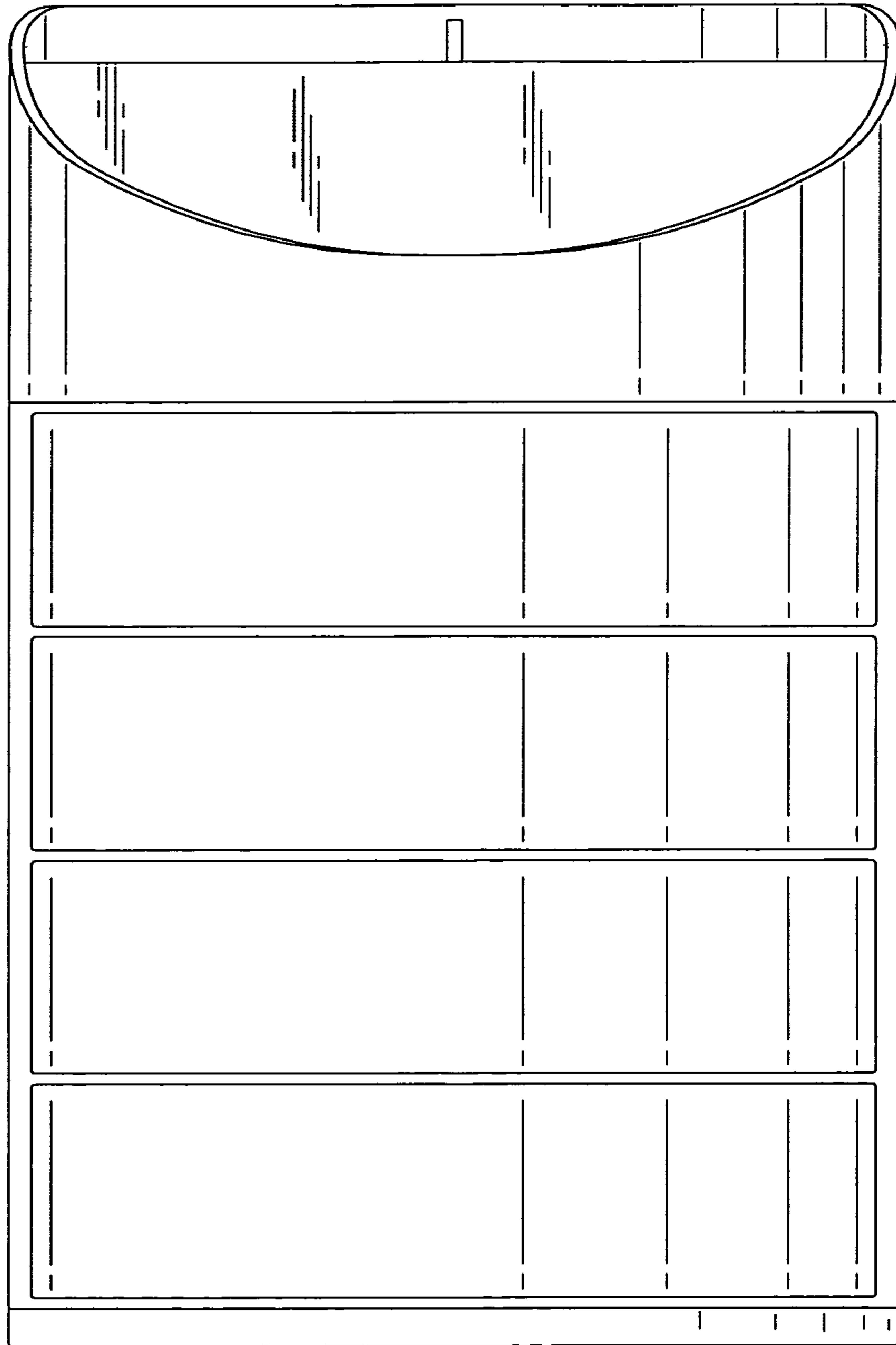




*FIG. 1*



*FIG. 2*



*FIG. 3*

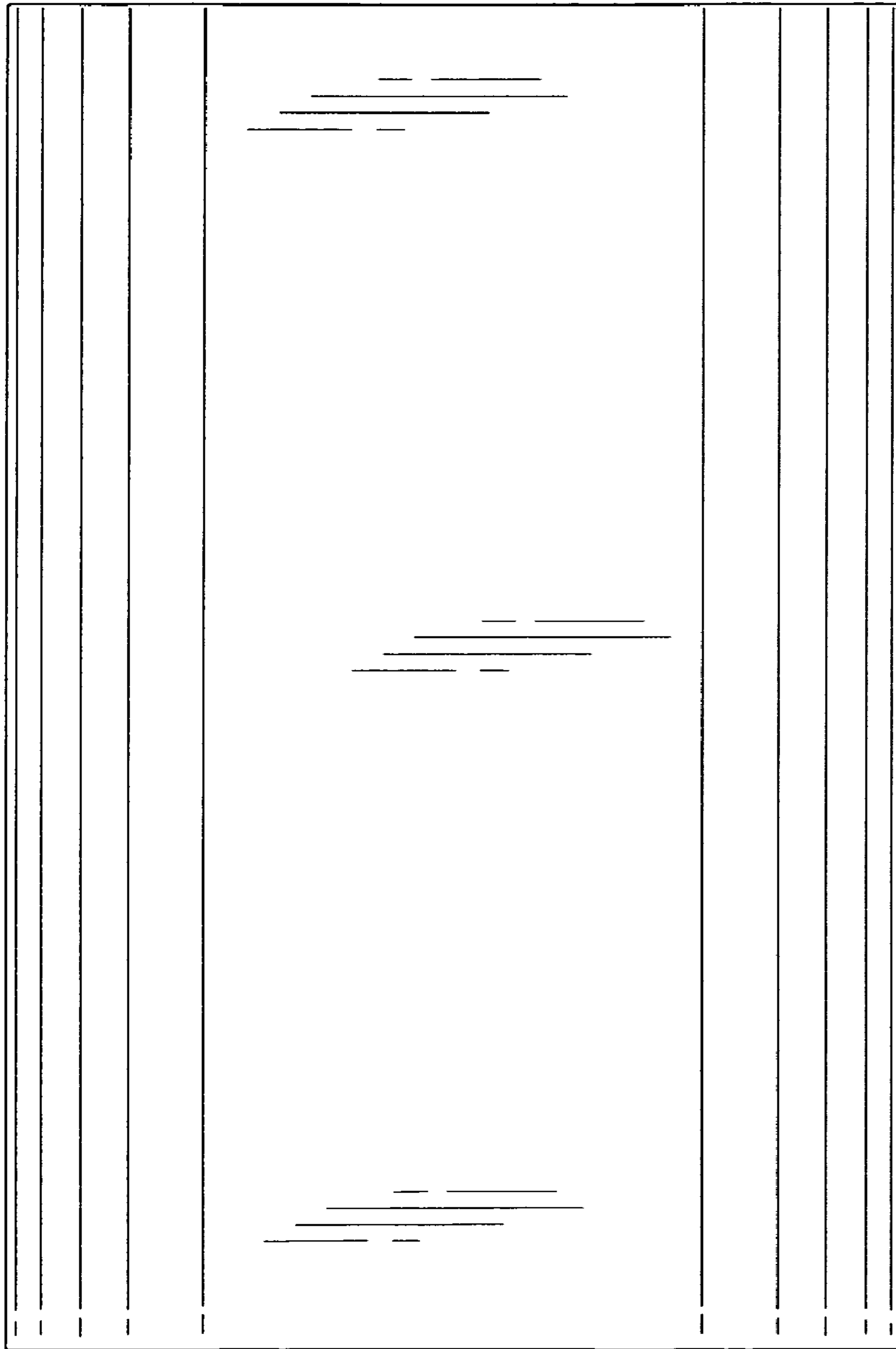


FIG. 4

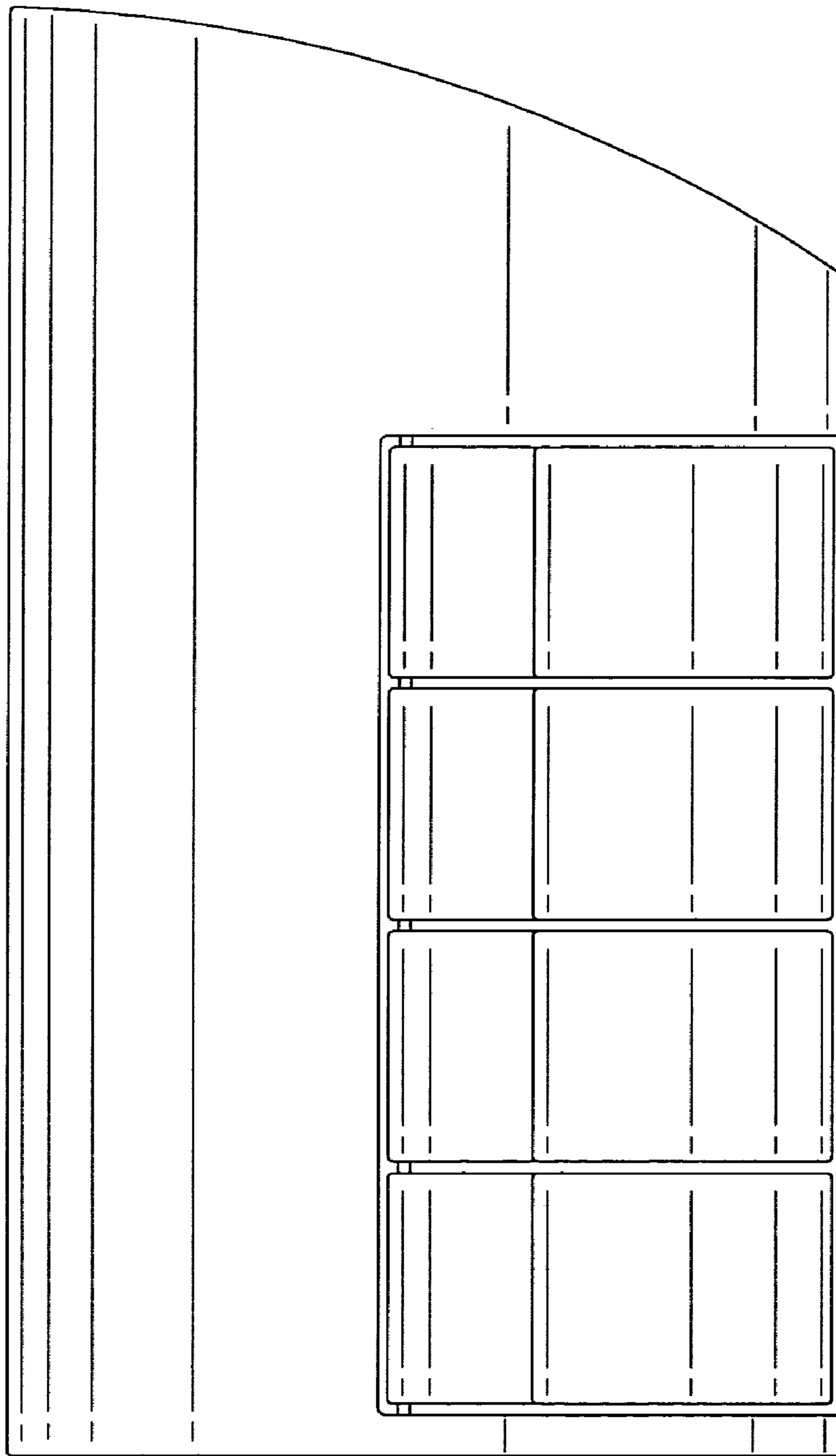
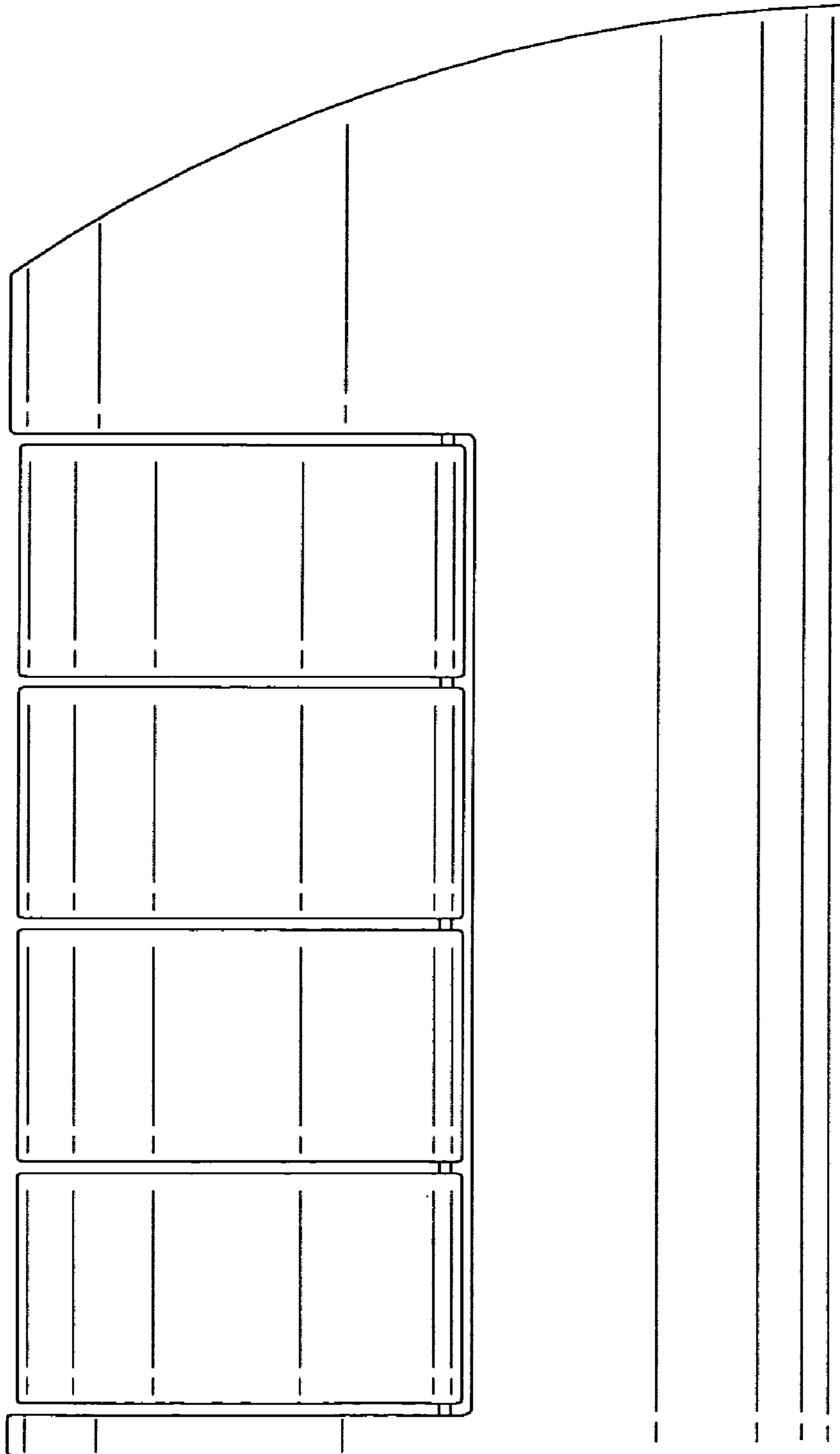


FIG. 5



*FIG. 6*

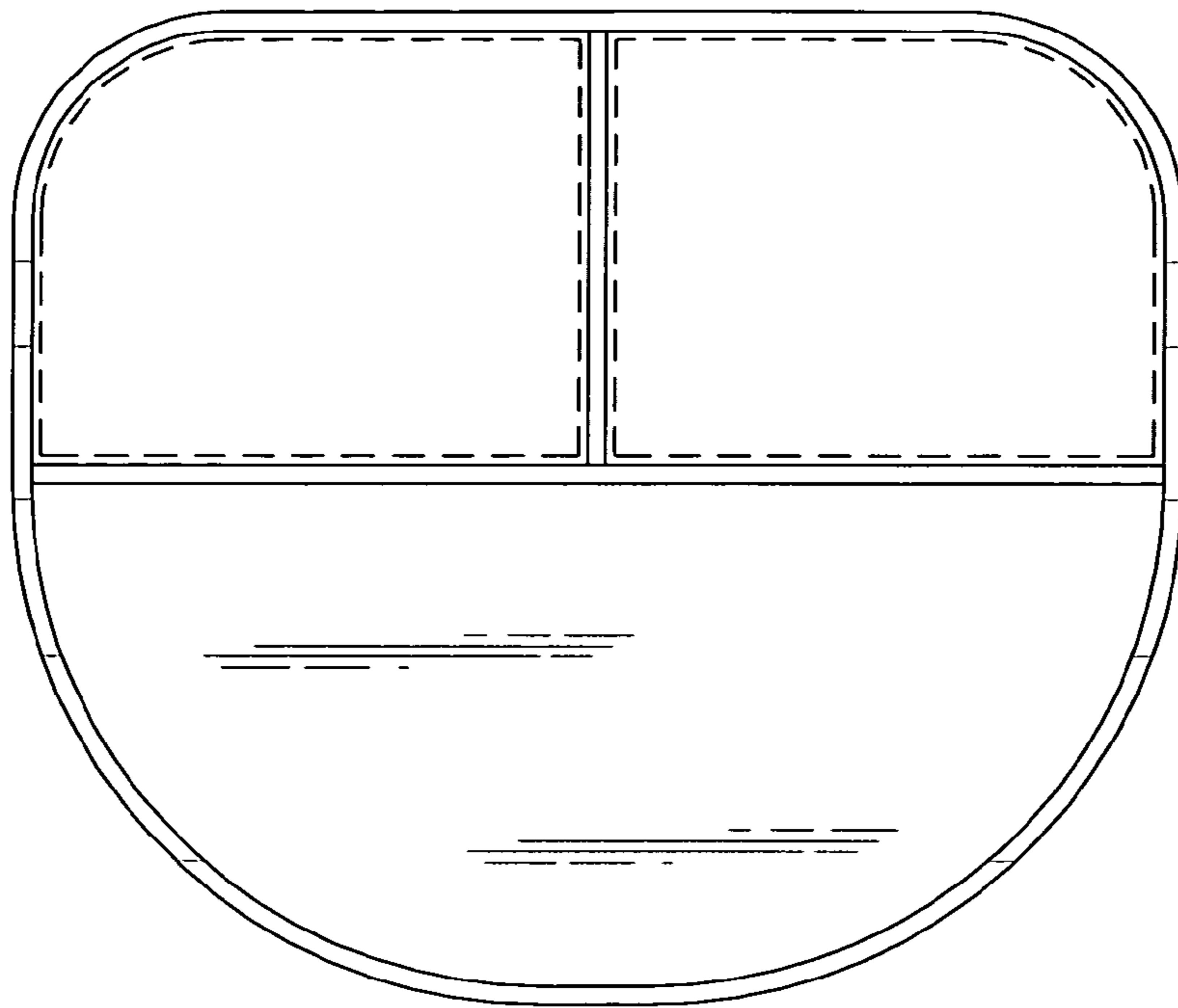
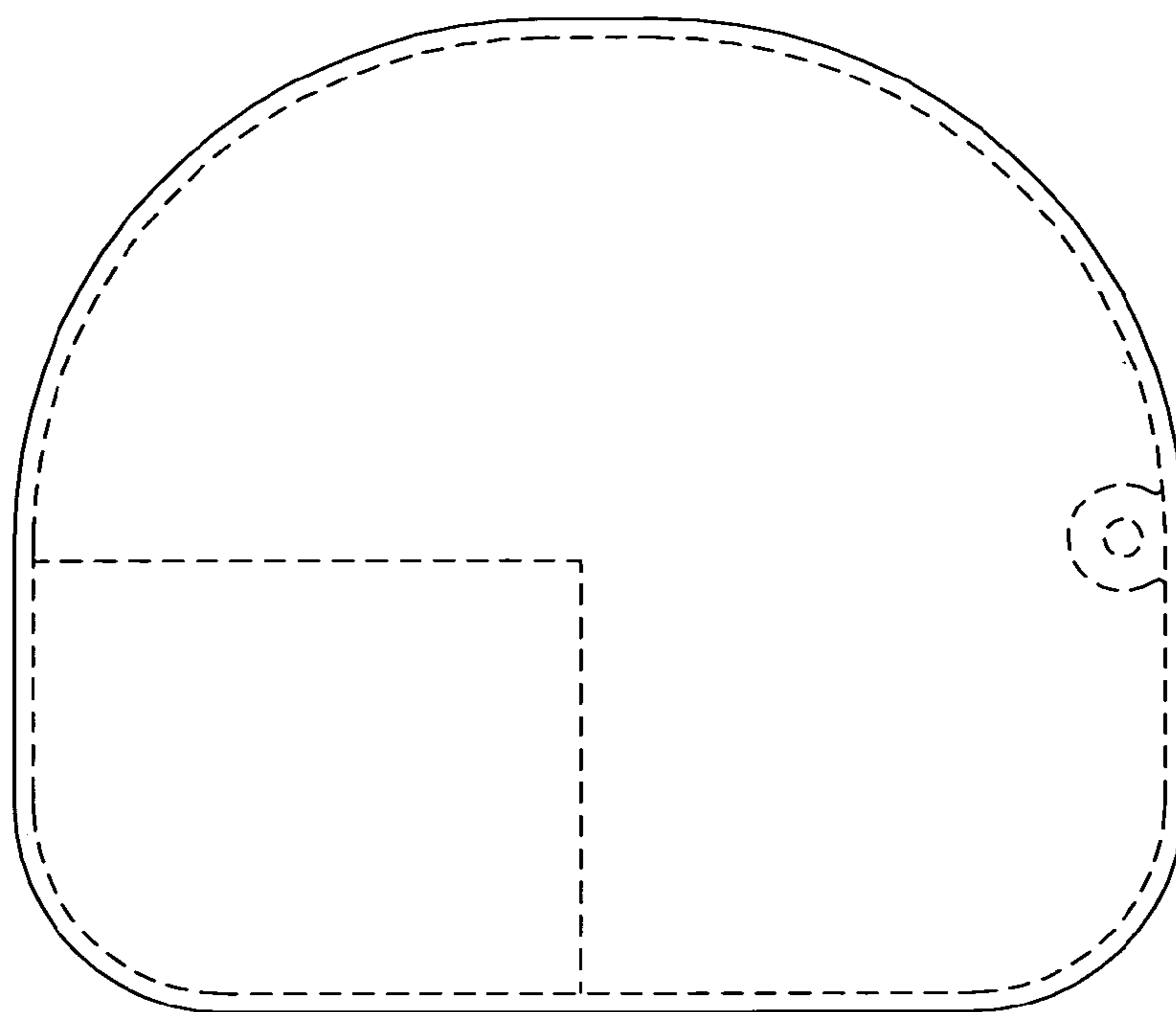


FIG. 7





*FIG. 8*