



US00D665843S

(12) **United States Design Patent**  
**Chuang**

(10) **Patent No.:** **US D665,843 S**

(45) **Date of Patent:** **\*\* Aug. 21, 2012**

(54) **DESK ORGANIZER**

(75) Inventor: **Chih-Wei Chuang**, Edison, NJ (US)

(73) Assignee: **Officemate International Corp.**,  
Edison, NJ (US)

(\*\*) Term: **14 Years**

(21) Appl. No.: **29/373,495**

(22) Filed: **Apr. 14, 2011**

(51) **LOC (9) Cl.** ..... **19-02**

(52) **U.S. Cl.** ..... **D19/75**

(58) **Field of Classification Search** ..... D3/304,  
D3/310, 313, 314, 315; D6/449, 467, 468,  
D6/475, 510, 512; D9/737, 755, 759; D19/75,  
D19/77-92, 99, 100; 206/214, 215, 449,  
206/558; 211/126.1

See application file for complete search history.

(56) **References Cited**

**U.S. PATENT DOCUMENTS**

D250,653 S	*	12/1978	Tiedemann	.....	D19/85
D305,246 S	*	12/1989	Kirchhoff et al.	.....	D19/75
D316,565 S	*	4/1991	Rust	.....	D19/75
D354,081 S	*	1/1995	Ancona et al.	.....	D19/78
D354,310 S	*	1/1995	Crist et al.	.....	D19/75
D356,337 S	*	3/1995	Douglas	.....	D19/75

D381,686 S	*	7/1997	Chiu	.....	D19/77
D398,078 S	*	9/1998	Hsu	.....	D28/73
D477,848 S	*	7/2003	Chen	.....	D19/78
D524,865 S	*	7/2006	Killinger et al.	.....	D19/78
D566,771 S	*	4/2008	Kent et al.	.....	D19/78
D581,982 S	*	12/2008	Bhavnani	.....	D19/77
D625,946 S	*	10/2010	Moore	.....	D6/629
D634,785 S	*	3/2011	Stravitz	.....	D19/78
D650,862 S	*	12/2011	Chuang	.....	D19/77

\* cited by examiner

*Primary Examiner* — Elizabeth Albert

(74) *Attorney, Agent, or Firm* — Daniel Kirshner

(57) **CLAIM**

The ornamental design for a desk organizer, as shown and described.

**DESCRIPTION**

FIG. 1 is a front perspective view of an desk organizer showing the new design;

FIG. 2 is a rear perspective view thereof;

FIG. 3 is a right side view thereof;

FIG. 4 is a left side view thereof;

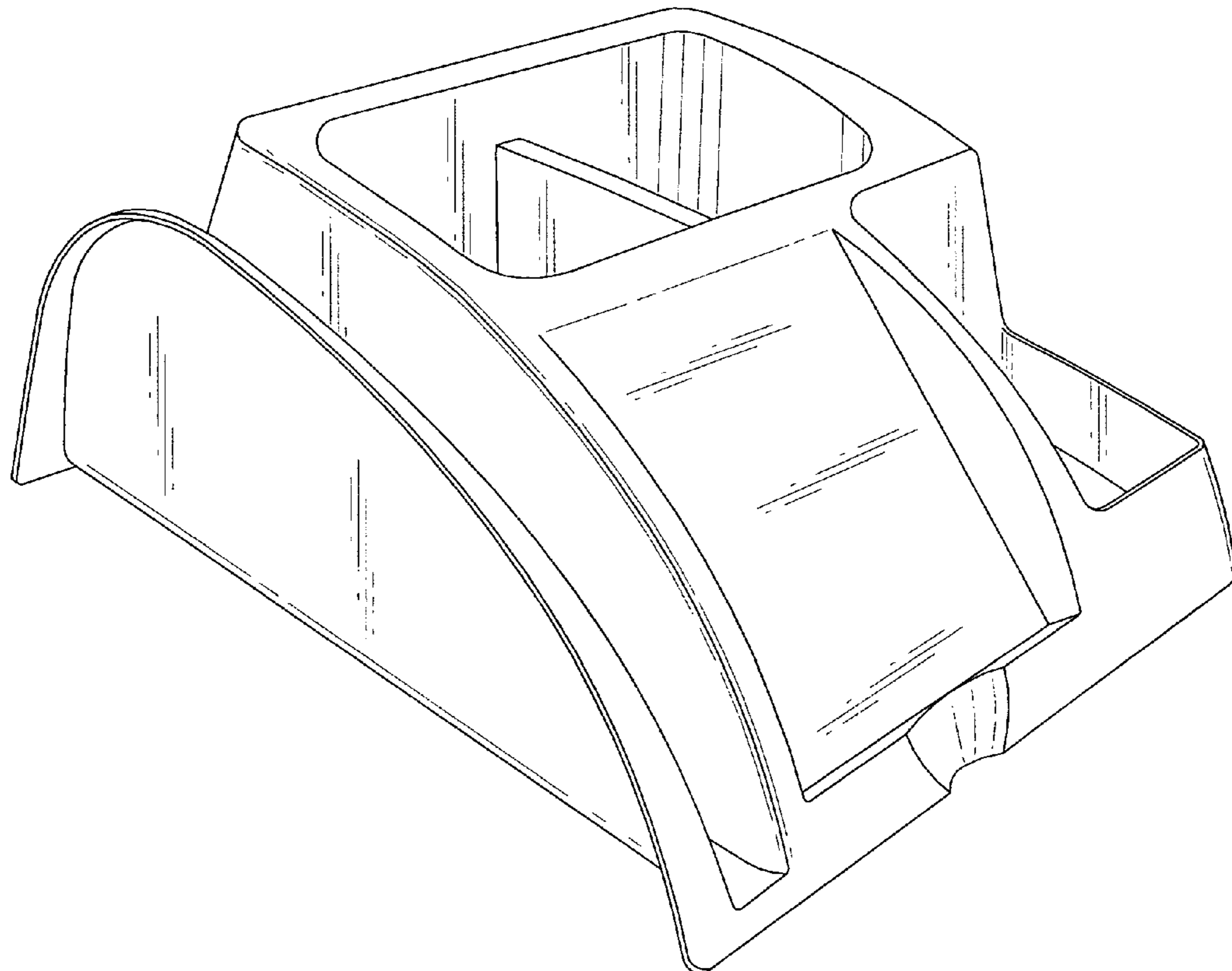
FIG. 5 is a front view thereof;

FIG. 6 is a back view thereof;

FIG. 7 is a top view thereof; and,

FIG. 8 is a bottom view thereof.

**1 Claim, 8 Drawing Sheets**



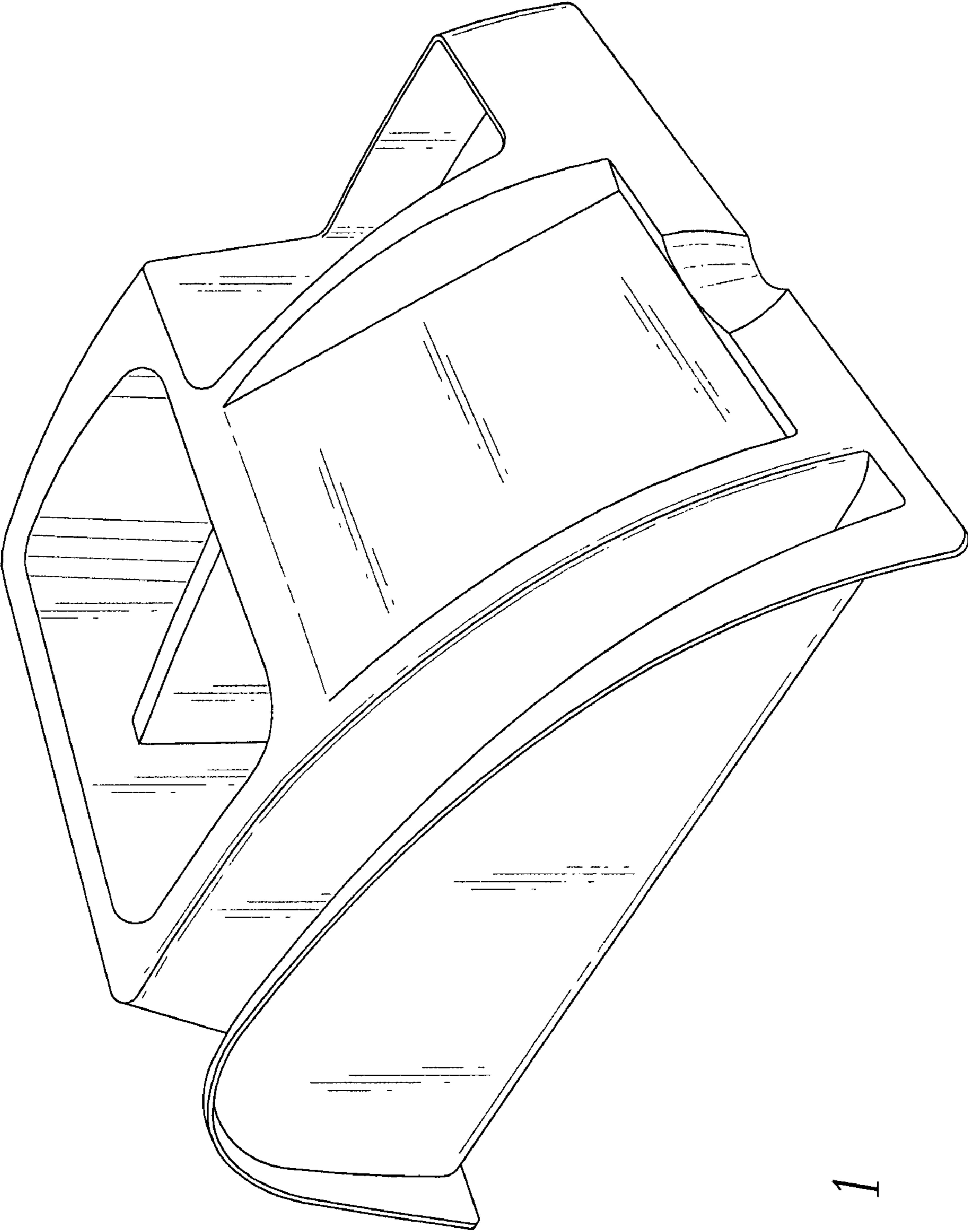


FIG. 1

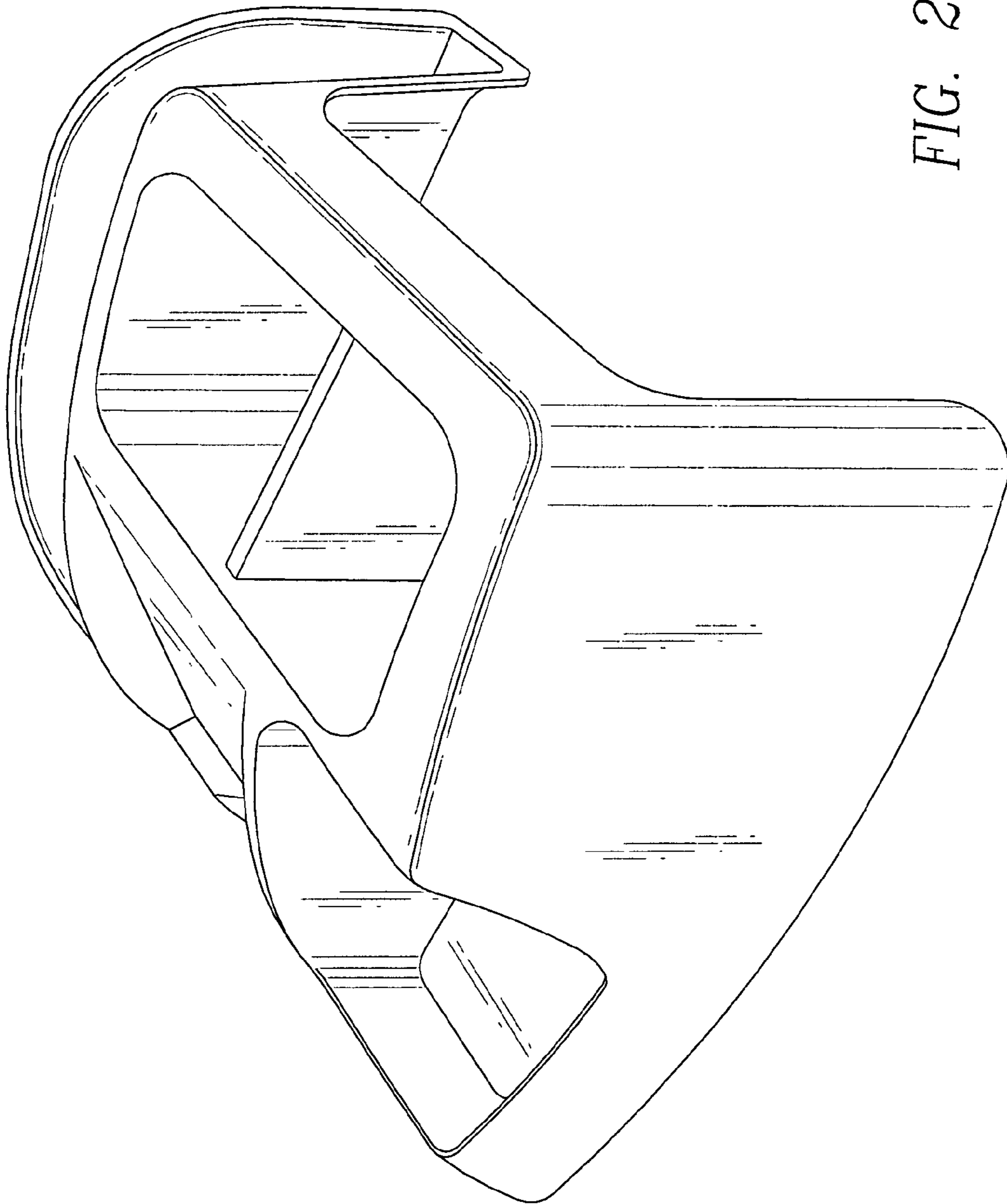


FIG. 2

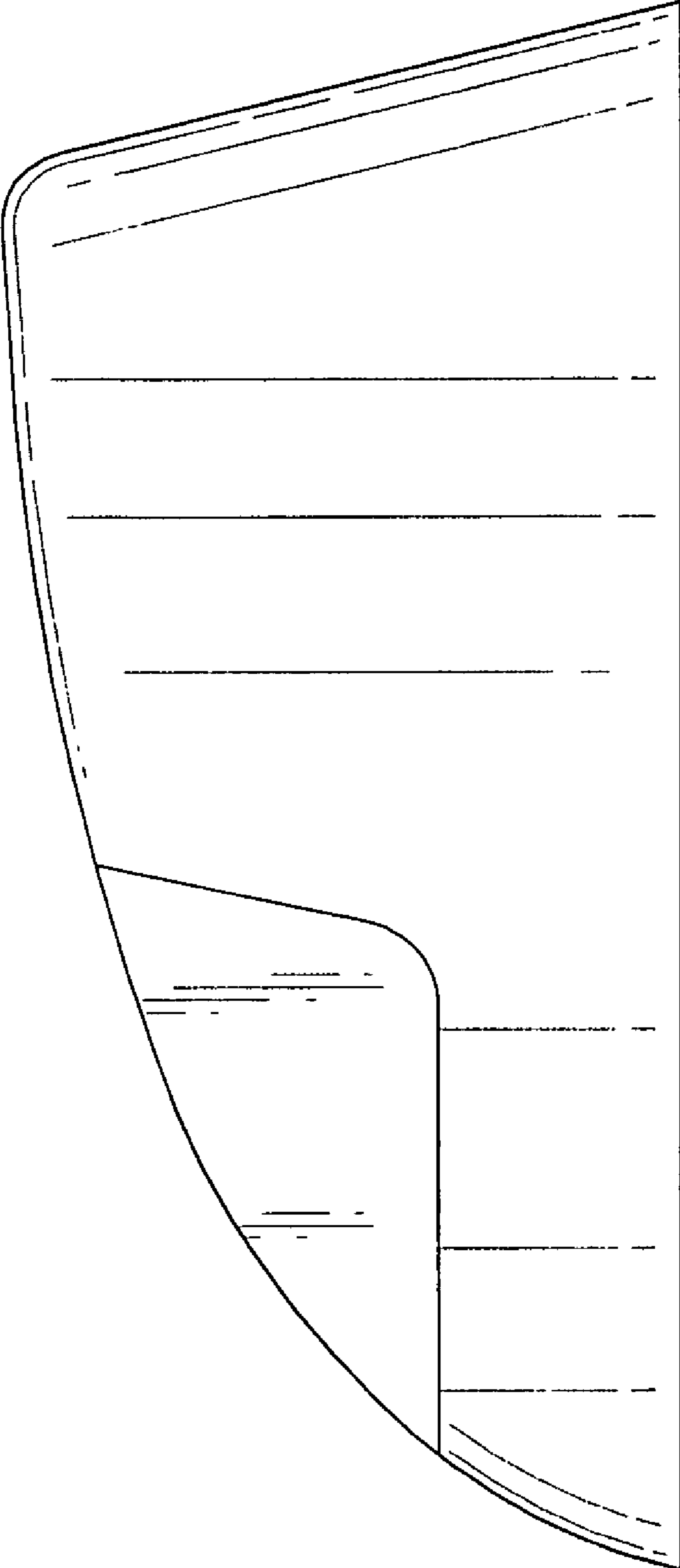


FIG. 3

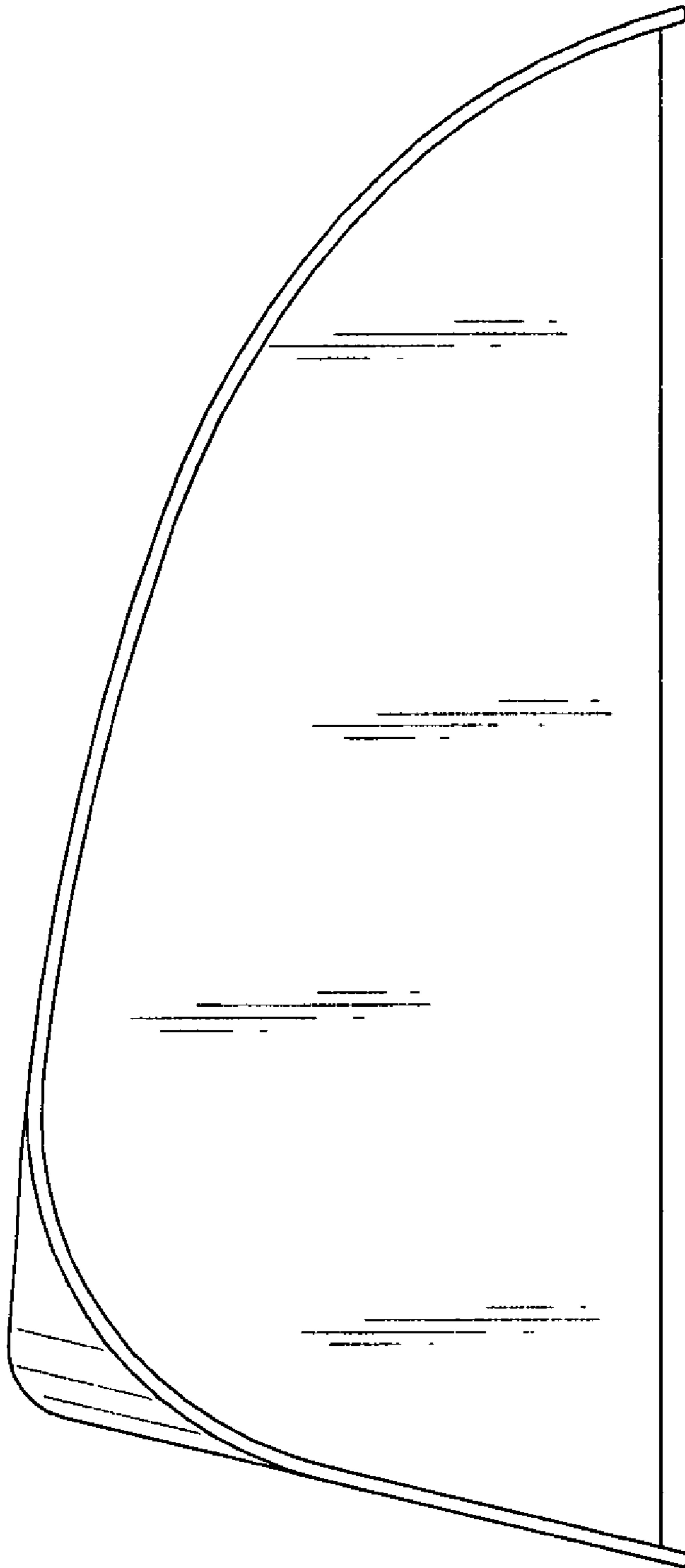


FIG. 4

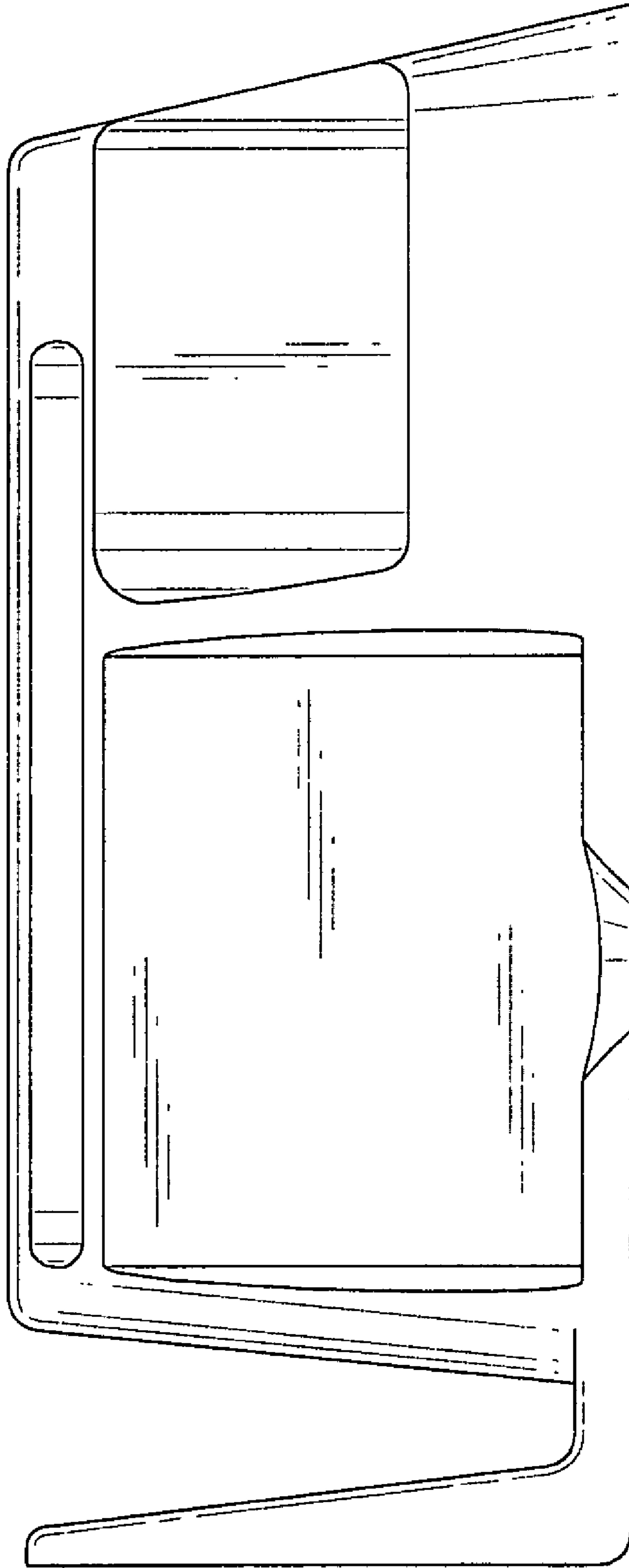


FIG. 5

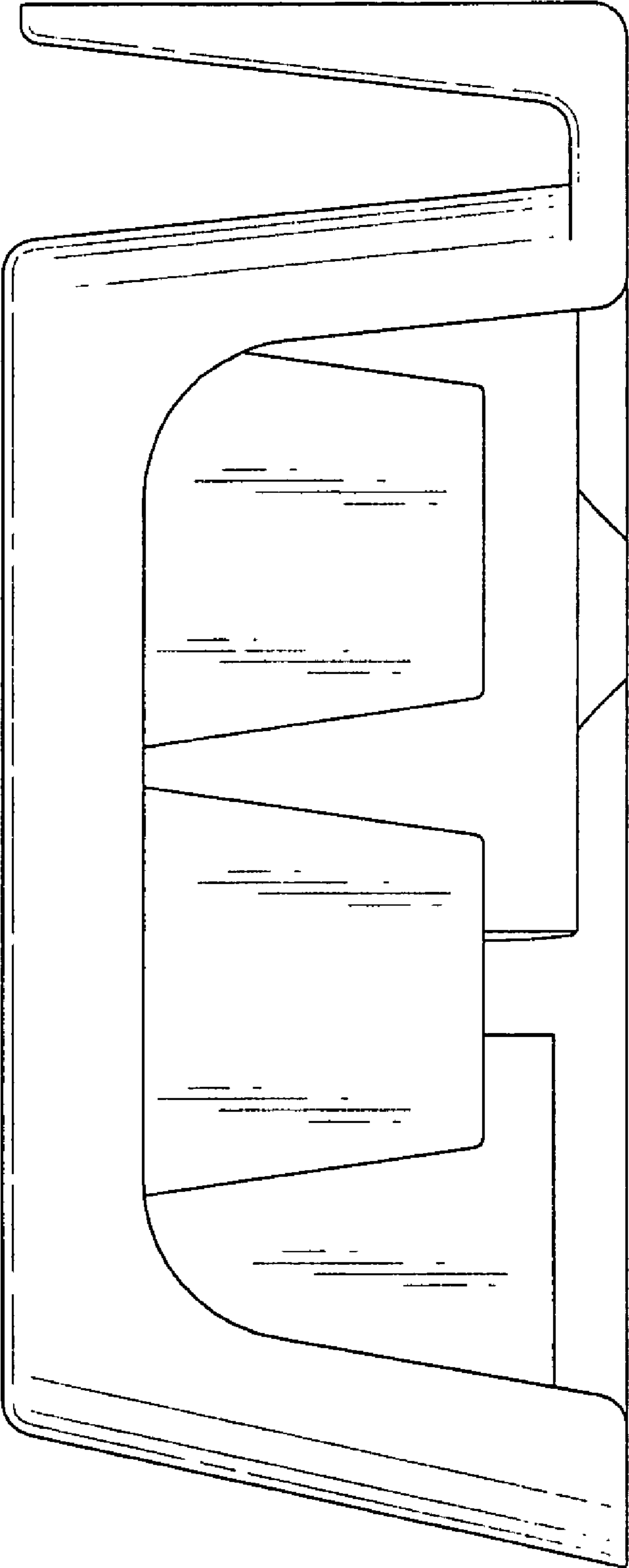


FIG. 6

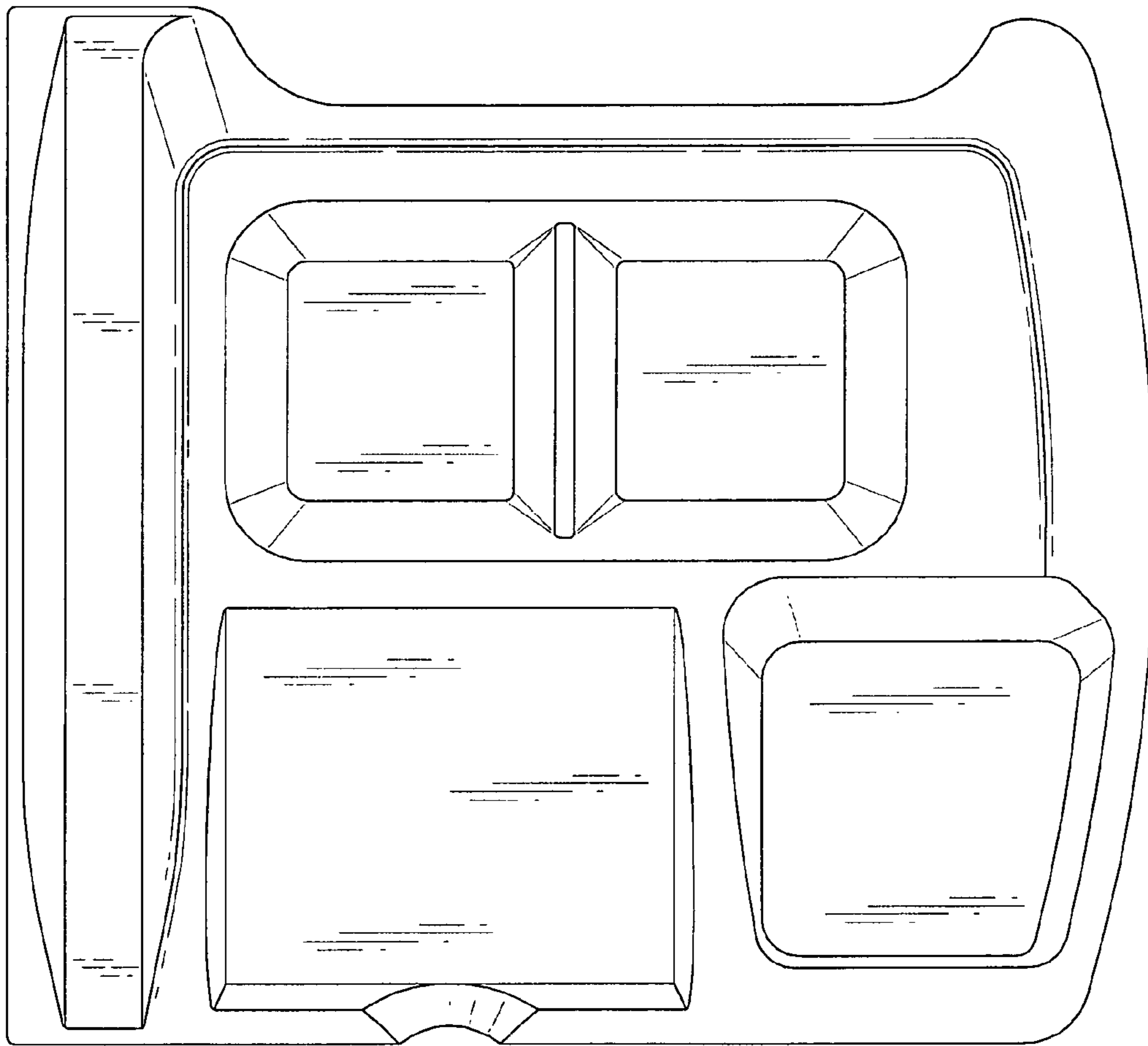


FIG. 7



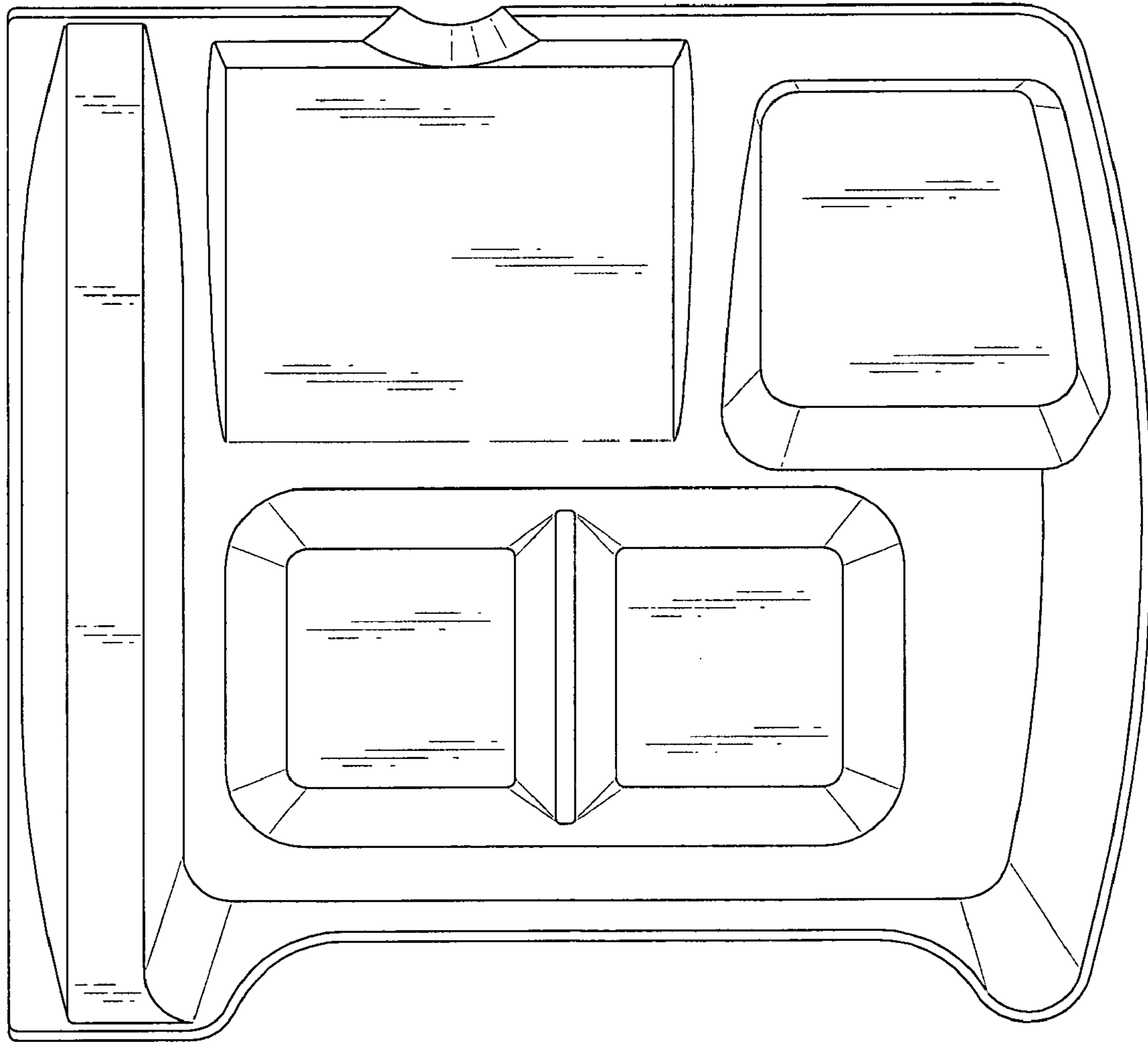


FIG. 8