



US00D665841S

(12) **United States Design Patent**
Williamson et al.

(10) **Patent No.:** **US D665,841 S**
(45) **Date of Patent:** **** *Aug. 21, 2012**

(54) **INK TANK FOR MICRO-FLUID APPLICATIONS**

(75) Inventors: **Randal Williamson**, Lexington, KY (US); **Neal McFarland**, Versailles, KY (US); **John Gassett**, Lexington, KY (US); **Edmund James, III**, Lexington, KY (US); **Gina Johns**, Nicholasville, KY (US); **Steven Komplin**, Lexington, KY (US); **Johnnie Coffey**, Winchester, KY (US)

(73) Assignee: **Lexmark International, Inc.**, Lexington, KY (US)

(*) Notice: This patent is subject to a terminal disclaimer.

(**) Term: **14 Years**

(21) Appl. No.: **29/380,087**

(22) Filed: **Nov. 30, 2010**

(51) **LOC (9) Cl.** **18-02**

(52) **U.S. Cl.** **D18/56**

(58) **Field of Classification Search** D18/56;
347/86-87

See application file for complete search history.

(56) **References Cited**

U.S. PATENT DOCUMENTS

D449,643 S *	10/2001	Hatasa et al.	D18/56
D465,516 S *	11/2002	Shinada et al.	D18/56
D466,151 S *	11/2002	Shinada et al.	D18/56
D478,345 S *	8/2003	Kinoshita et al.	D18/43
D490,102 S *	5/2004	Umeyama et al.	D18/56
D491,221 S *	6/2004	Umeyama et al.	D18/56

D536,374 S *	2/2007	Shinada et al.	D18/56
D541,852 S *	5/2007	Hattori et al.	D18/56
D549,280 S *	8/2007	Morino	D18/56
D556,258 S *	11/2007	Morino	D18/56
D584,351 S *	1/2009	Nip	D18/56
D641,400 S *	7/2011	Hattori	D18/56

OTHER PUBLICATIONS

Images of Competitive Ink Tanks (232 pages)—Products announced between third quarter 2005 and first quarter 2009 as indicated on each image.

* cited by examiner

Primary Examiner — Cathy A MacCormac

(57) **CLAIM**

We claim the ornamental design for ink tank for micro-fluid applications, as shown and described.

DESCRIPTION

FIG. 1 is a perspective view of an ink tank for micro-fluid applications;

FIG. 2 is a top view of the ink tank for micro-fluid applications;

FIG. 3 is a bottom view of the ink tank for micro-fluid applications;

FIG. 4 is a rear view of the ink tank for micro-fluid applications;

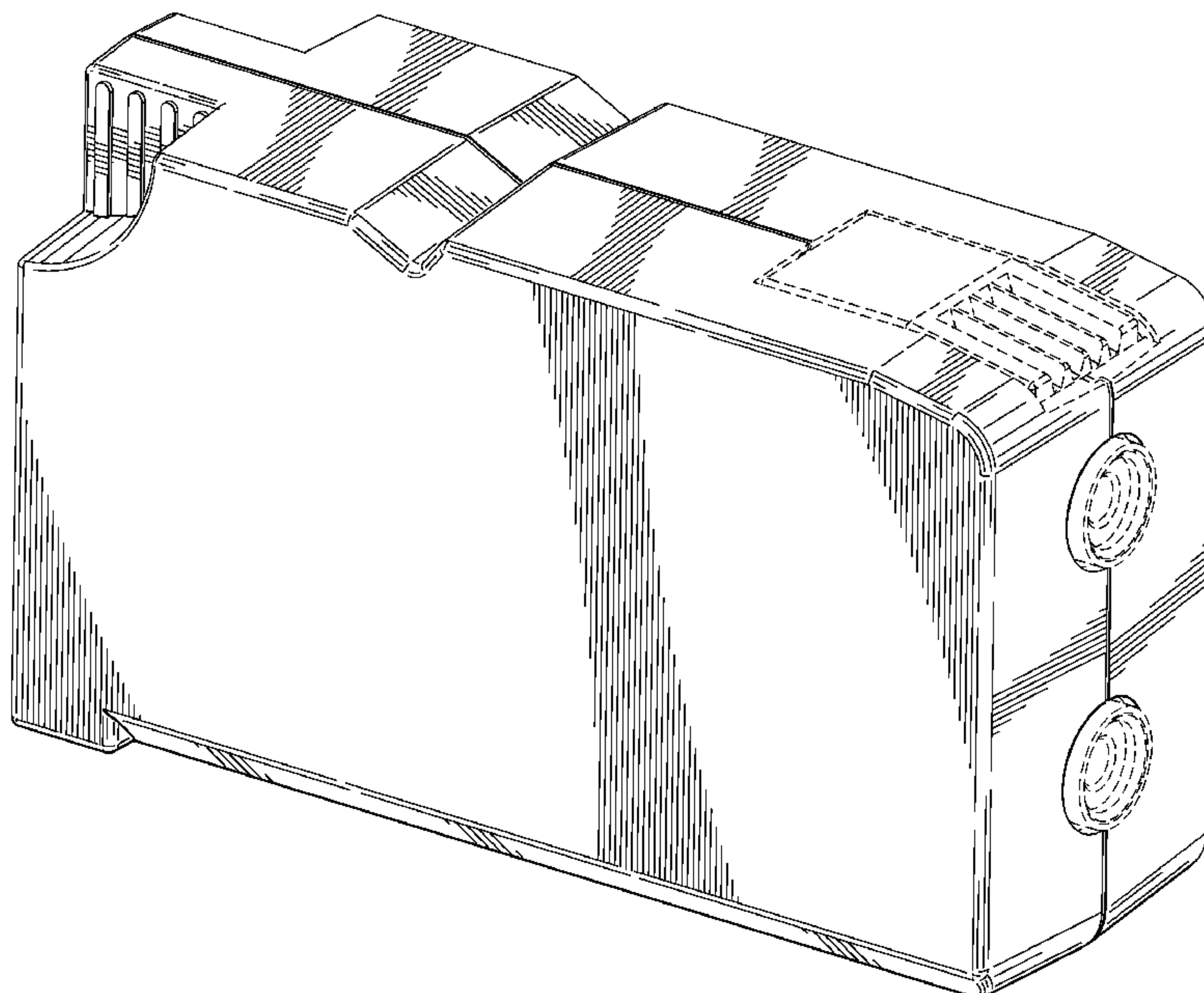
FIG. 5 is a front view of the ink tank for micro-fluid applications;

FIG. 6 is a left side view of the ink tank for micro-fluid applications; and,

FIG. 7 is a right side view of the ink tank for micro-fluid applications.

The broken lines are for illustration only and form no part of the claimed design.

1 Claim, 5 Drawing Sheets



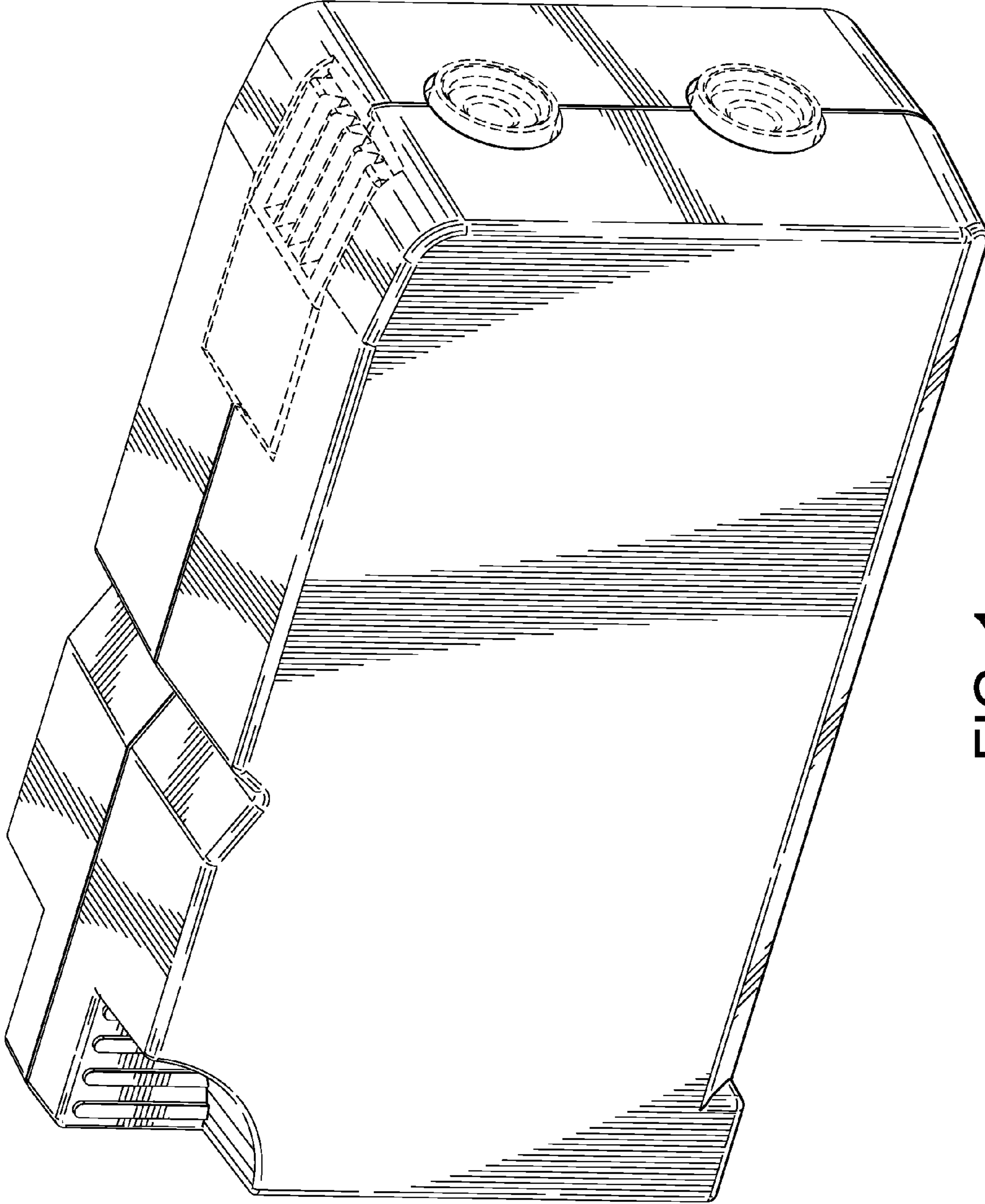


FIG. 1

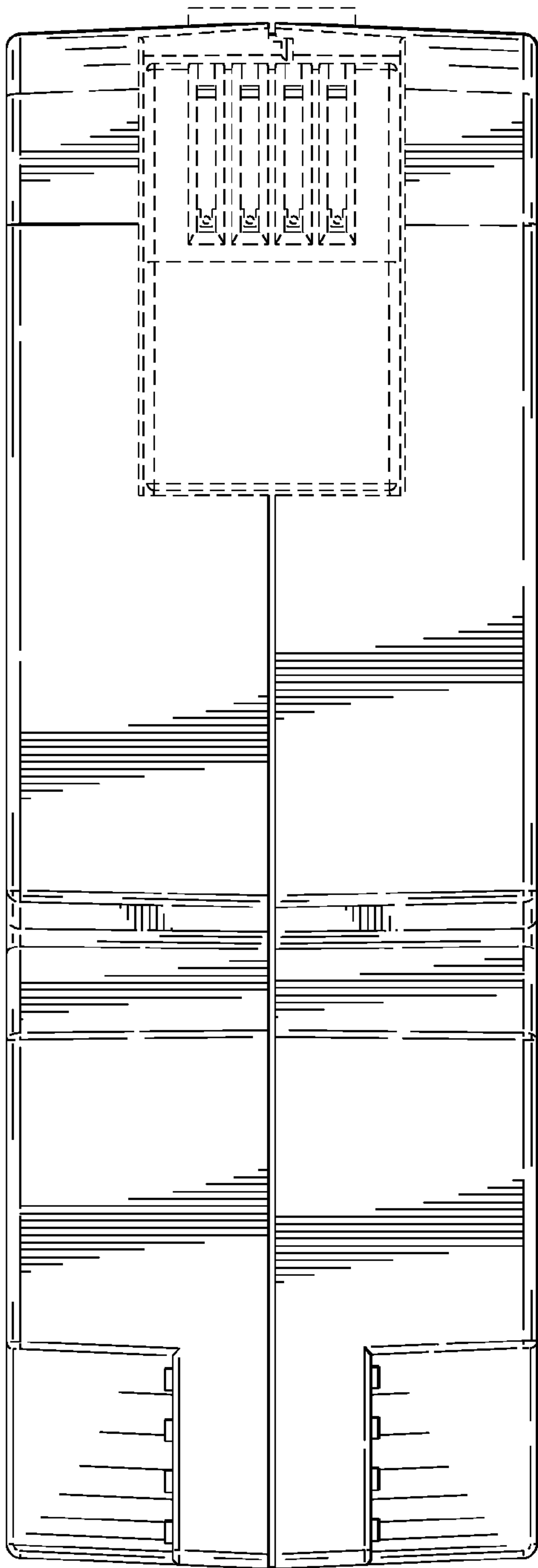


FIG. 2

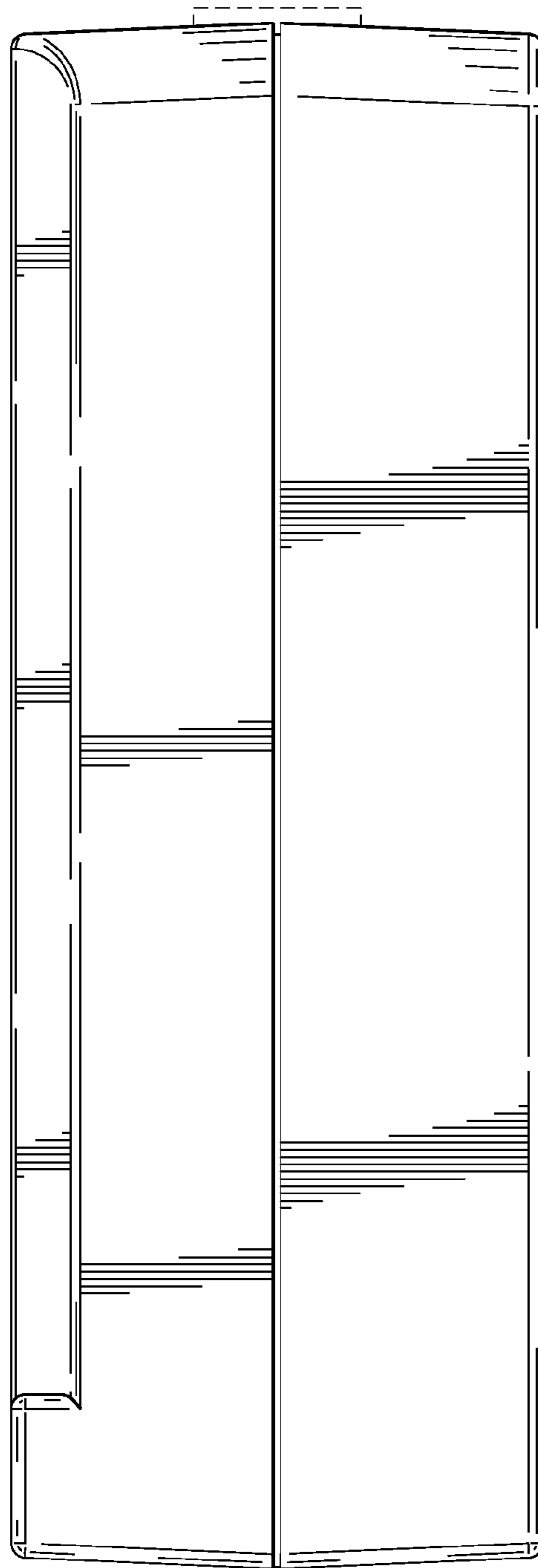


FIG. 3

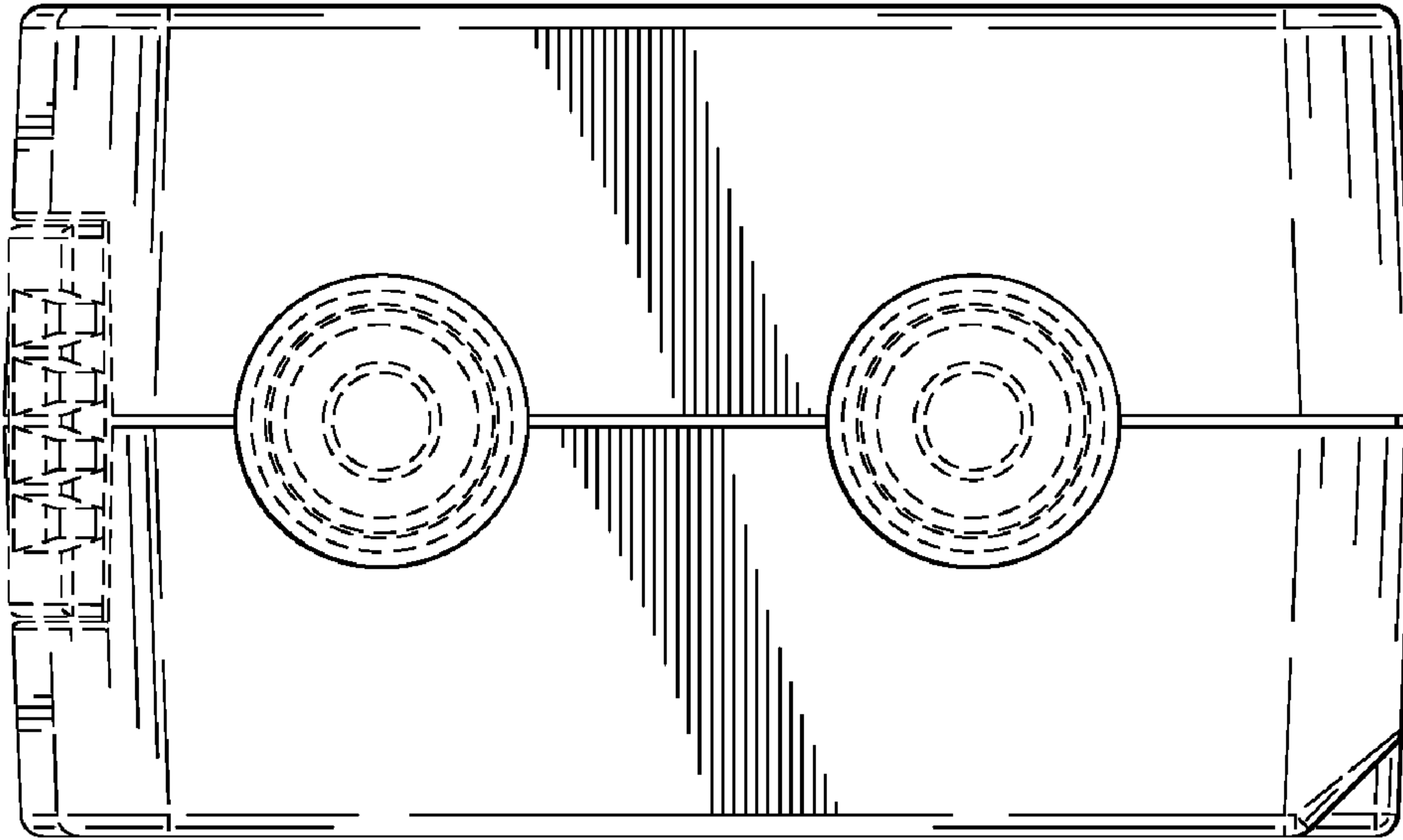


FIG. 5

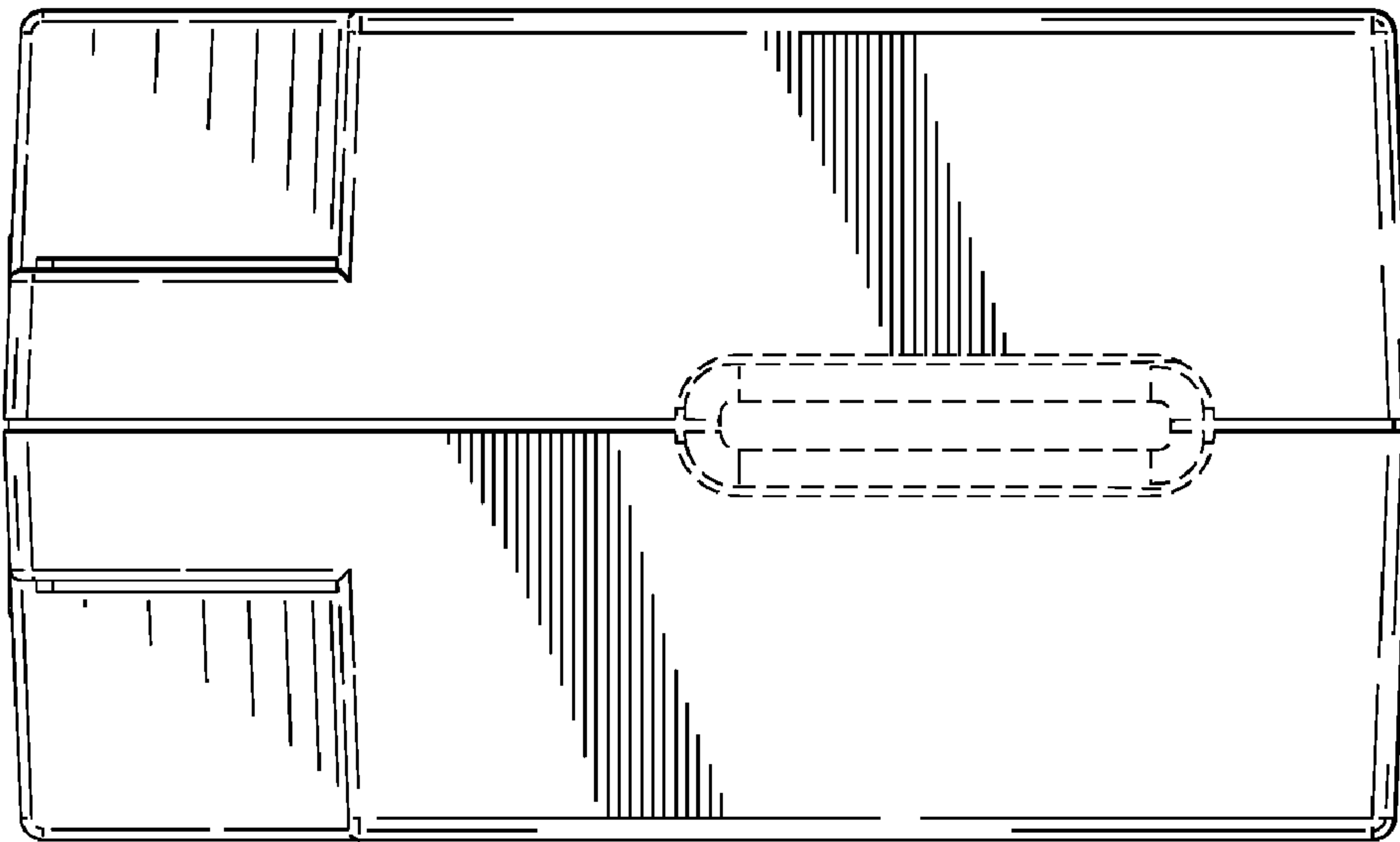


FIG. 4

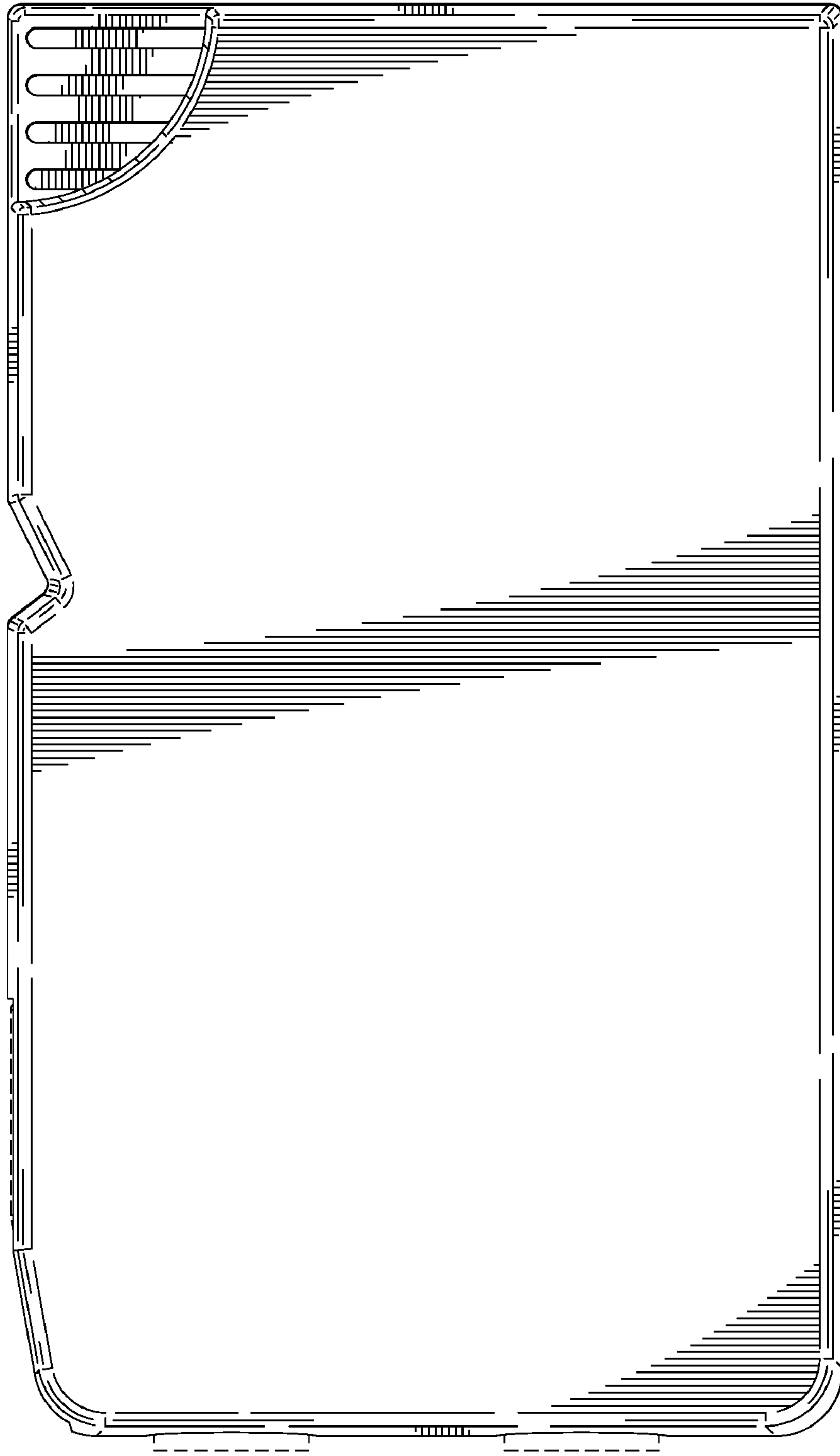


FIG. 6

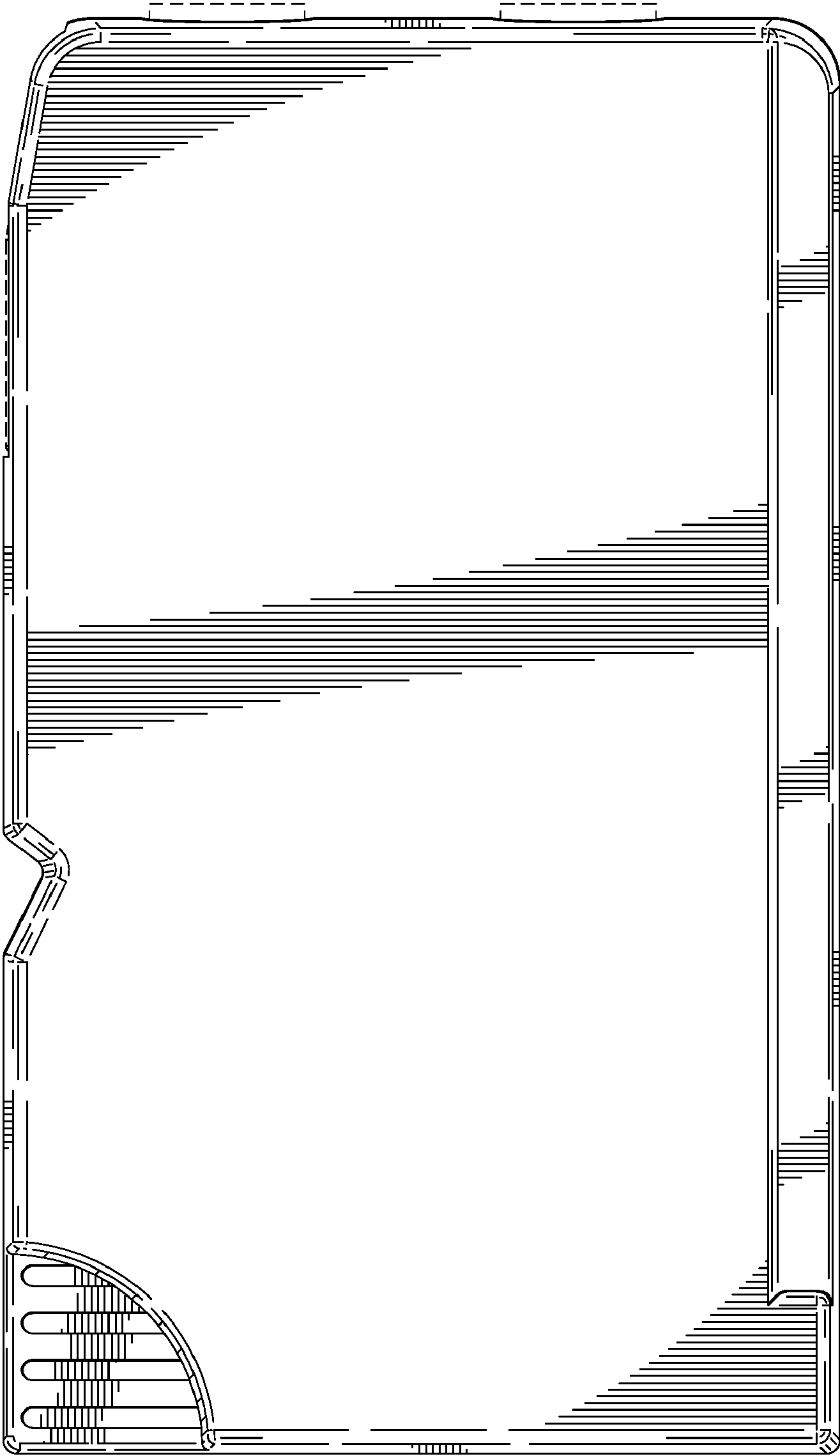


FIG. 7