

US00D665839S

(12) **United States Design Patent**
Chan

(10) **Patent No.:** **US D665,839 S**

(45) **Date of Patent:** **** Aug. 21, 2012**

(54) **DRUM SET**

(75) Inventor: **Wilbur Chan**, Kowloon (HK)

(73) Assignee: **Legendary Sound International Ltd.**,
Tortola (VG)

(**) Term: **14 Years**

(21) Appl. No.: **29/375,417**

(22) Filed: **Sep. 22, 2010**

(51) **LOC (9) Cl.** **17-04**

(52) **U.S. Cl.** **D17/22**

(58) **Field of Classification Search** D17/22,
D17/99; D21/405; 84/413, 415, DIG. 12,
84/723-733, 411 R, 412, 419-421, DIG. 3
See application file for complete search history.

(56) **References Cited**

U.S. PATENT DOCUMENTS

| | | | | | |
|-----------|-----|---------|-----------------|-------|-----------|
| 1,456,242 | A * | 5/1923 | Leedy | | 84/411 R |
| 3,433,115 | A * | 3/1969 | Kjelstrom | | 84/411 R |
| 3,561,716 | A * | 2/1971 | Thompson et al. | | 248/286.1 |
| D266,525 | S * | 10/1982 | Kelly | | D17/22 |
| D276,057 | S * | 10/1984 | Plassmann | | D21/405 |
| 4,593,596 | A * | 6/1986 | Gauger | | 84/421 |
| D340,254 | S * | 10/1993 | Yamashita | | D17/22 |
| D387,375 | S * | 12/1997 | Bacco | | D17/22 |

| | | | | | |
|-----------|------|---------|--------------|-------|----------|
| 5,986,197 | A * | 11/1999 | Allen | | 84/411 M |
| D464,078 | S * | 10/2002 | Lau | | D17/22 |
| 6,610,916 | B1 * | 8/2003 | Torrez | | 84/421 |
| 7,087,825 | B2 * | 8/2006 | Izen et al. | | 84/411 R |
| D597,127 | S * | 7/2009 | Izen et al. | | D17/22 |
| 7,964,780 | B2 * | 6/2011 | Hotta et al. | | 84/104 |

* cited by examiner

Primary Examiner — Stella Reid

Assistant Examiner — Carissa C Fitts

(74) *Attorney, Agent, or Firm* — Intellectual Property Law Group LLP

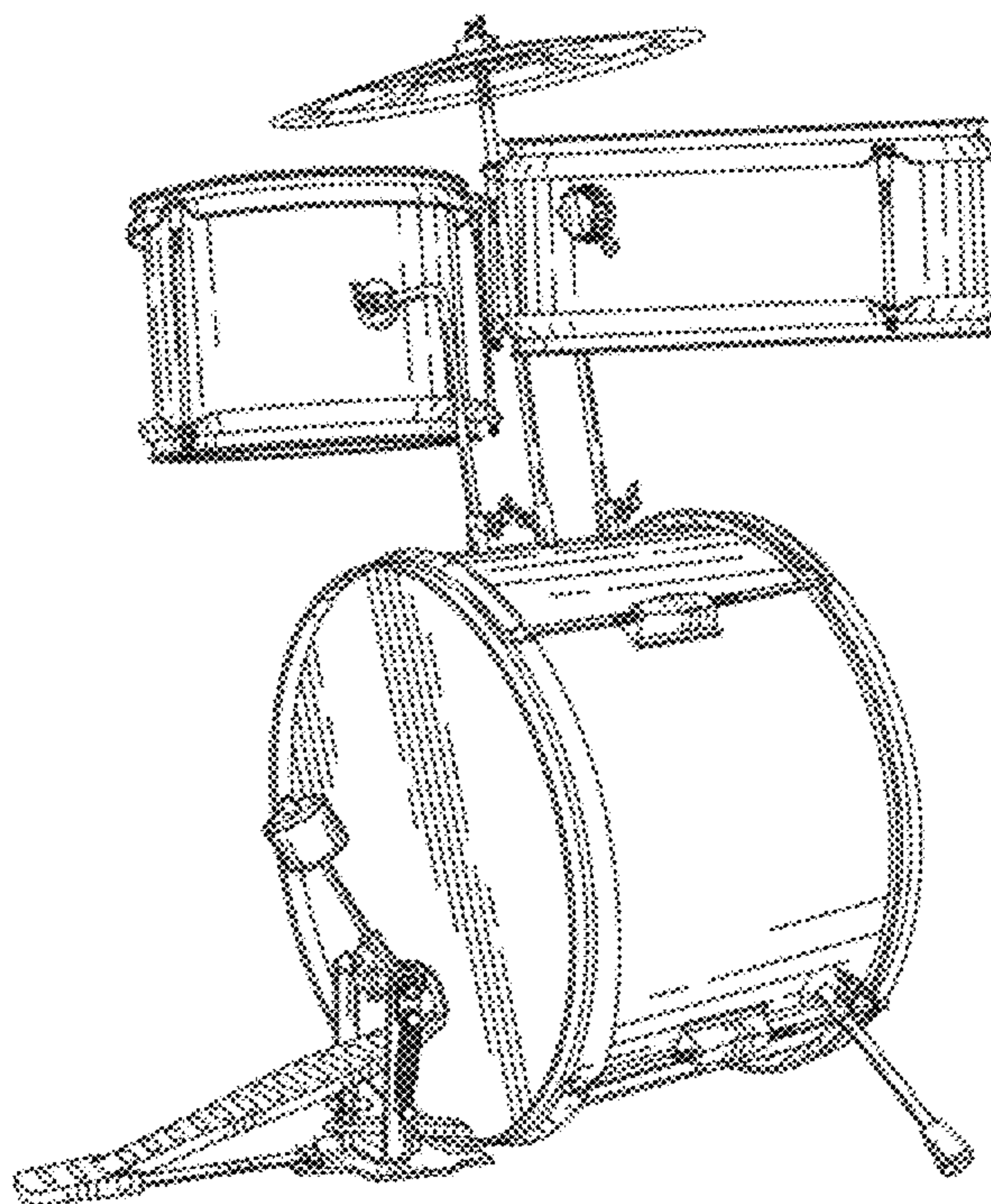
(57) **CLAIM**

The ornamental design for a drum set, as shown and described.

DESCRIPTION

FIG. 1 is a front, right side perspective view of a drum set embodying my is new design;
FIG. 2 is a rear, left side perspective view thereof;
FIG. 3 is a front view thereof;
FIG. 4 is a rear view thereof;
FIG. 5 is a right side view thereof;
FIG. 6 is a left side view thereof;
FIG. 7 is a top plan view thereof; and,
FIG. 8 is a bottom plan view thereof.

1 Claim, 5 Drawing Sheets



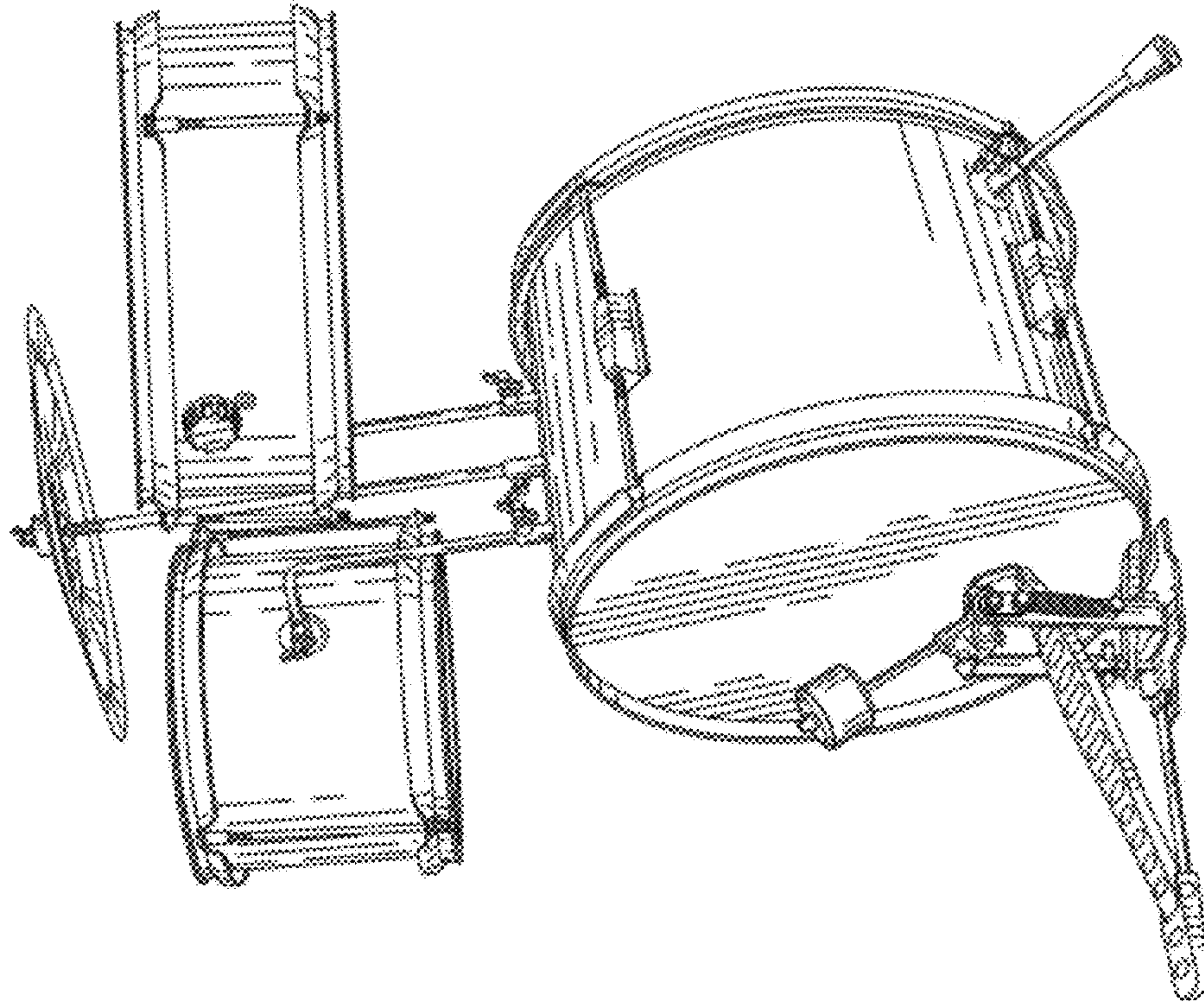


FIG. 2

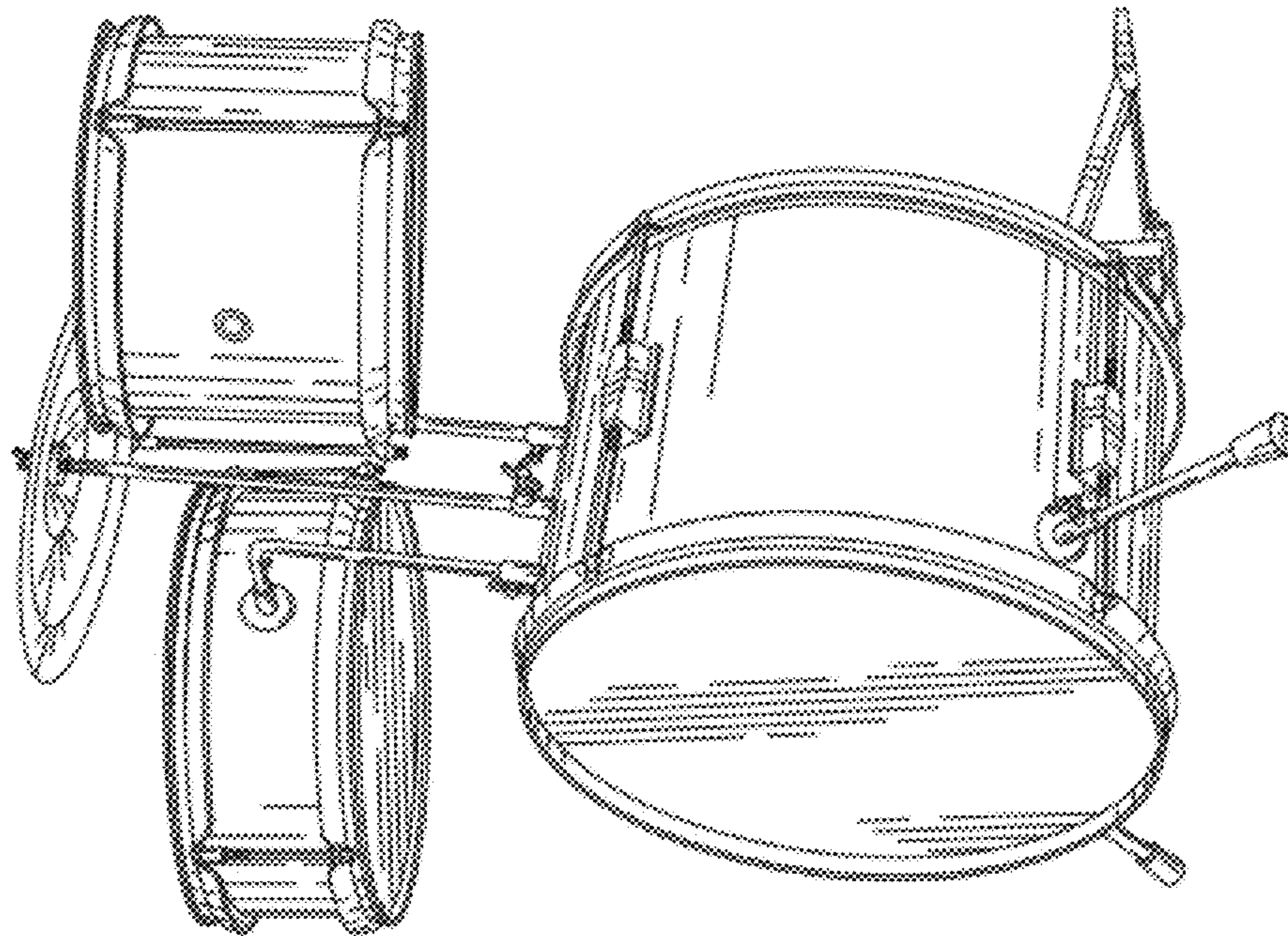


FIG. 1

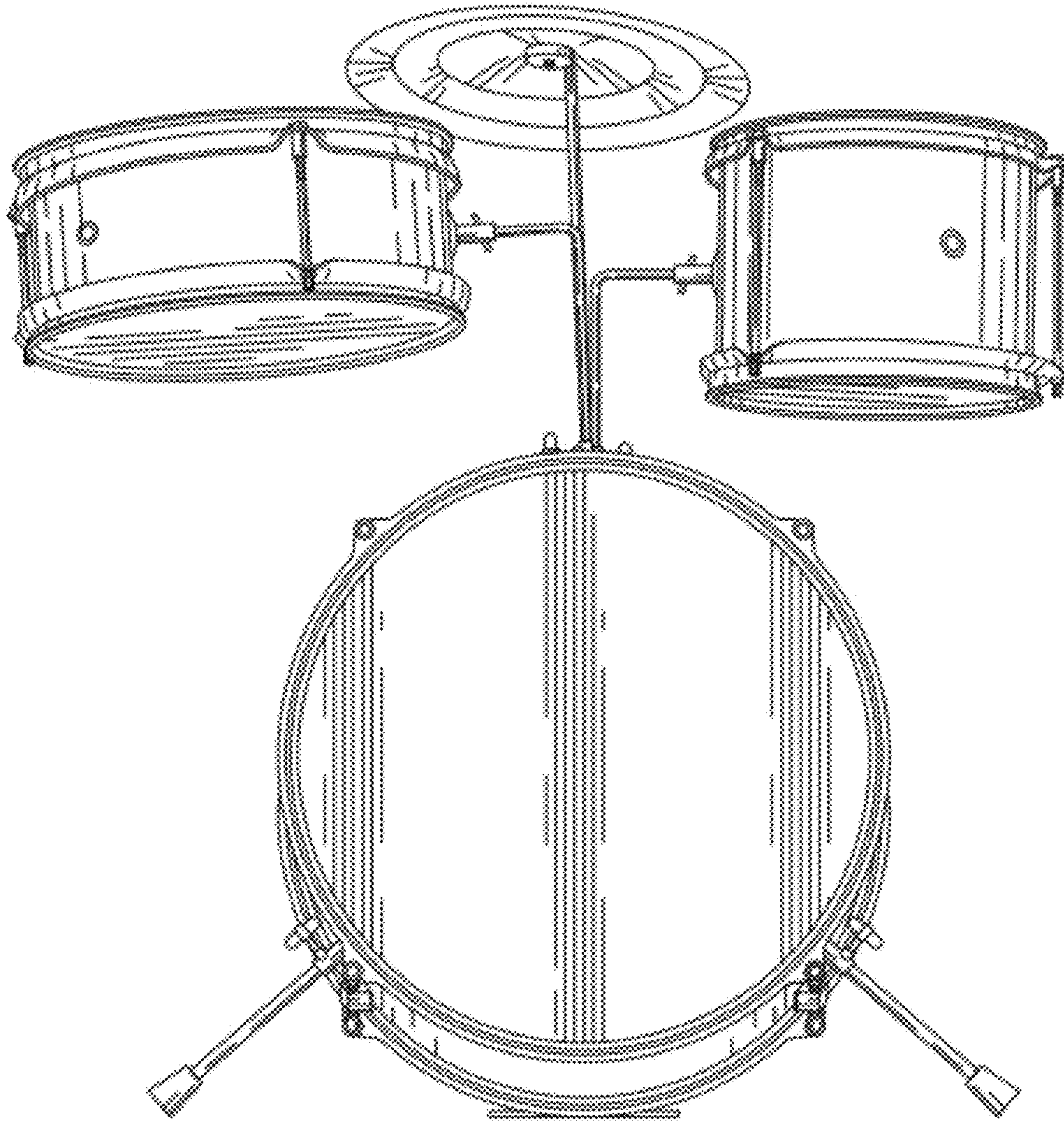


FIG. 3

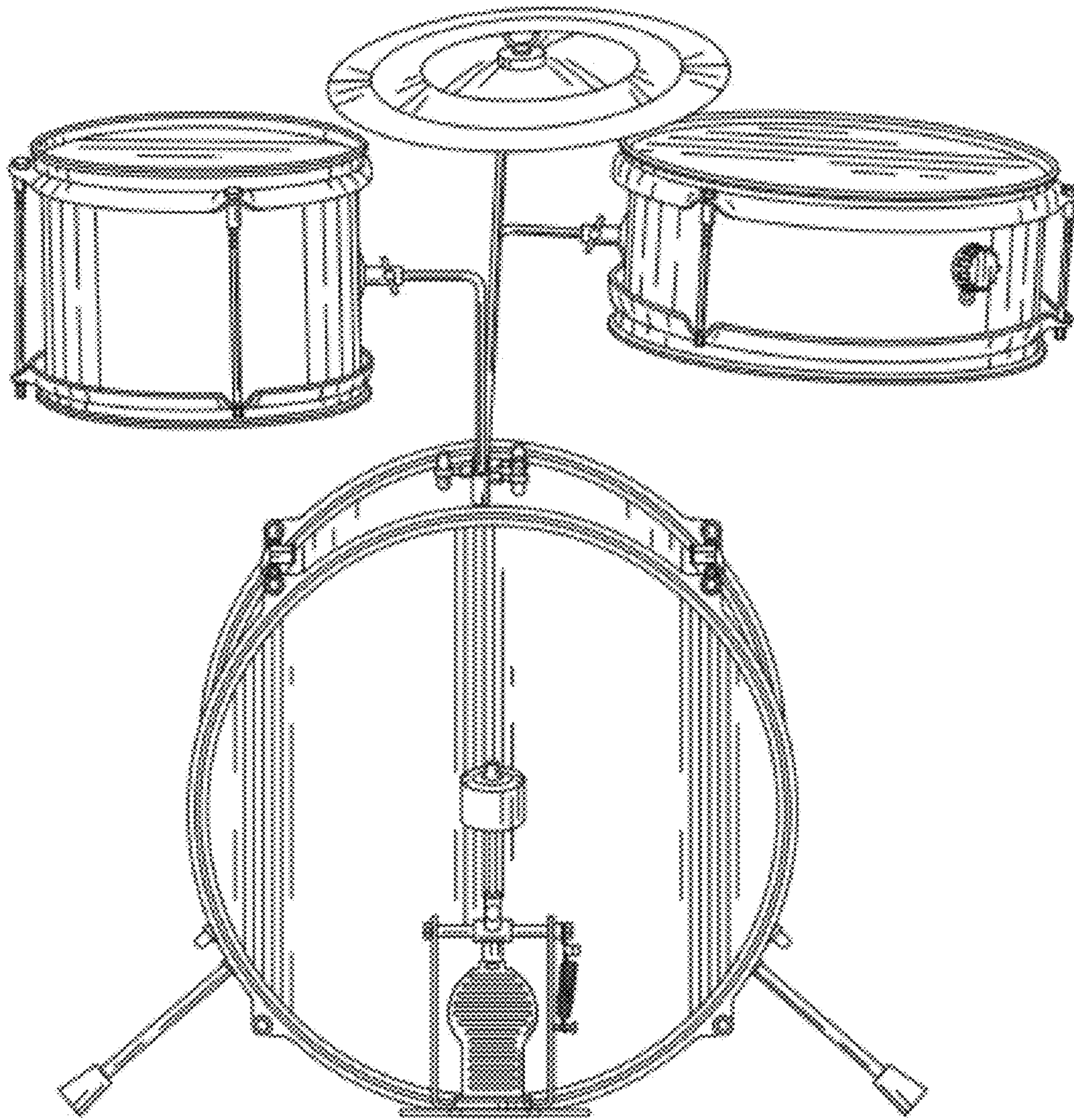


FIG. 4

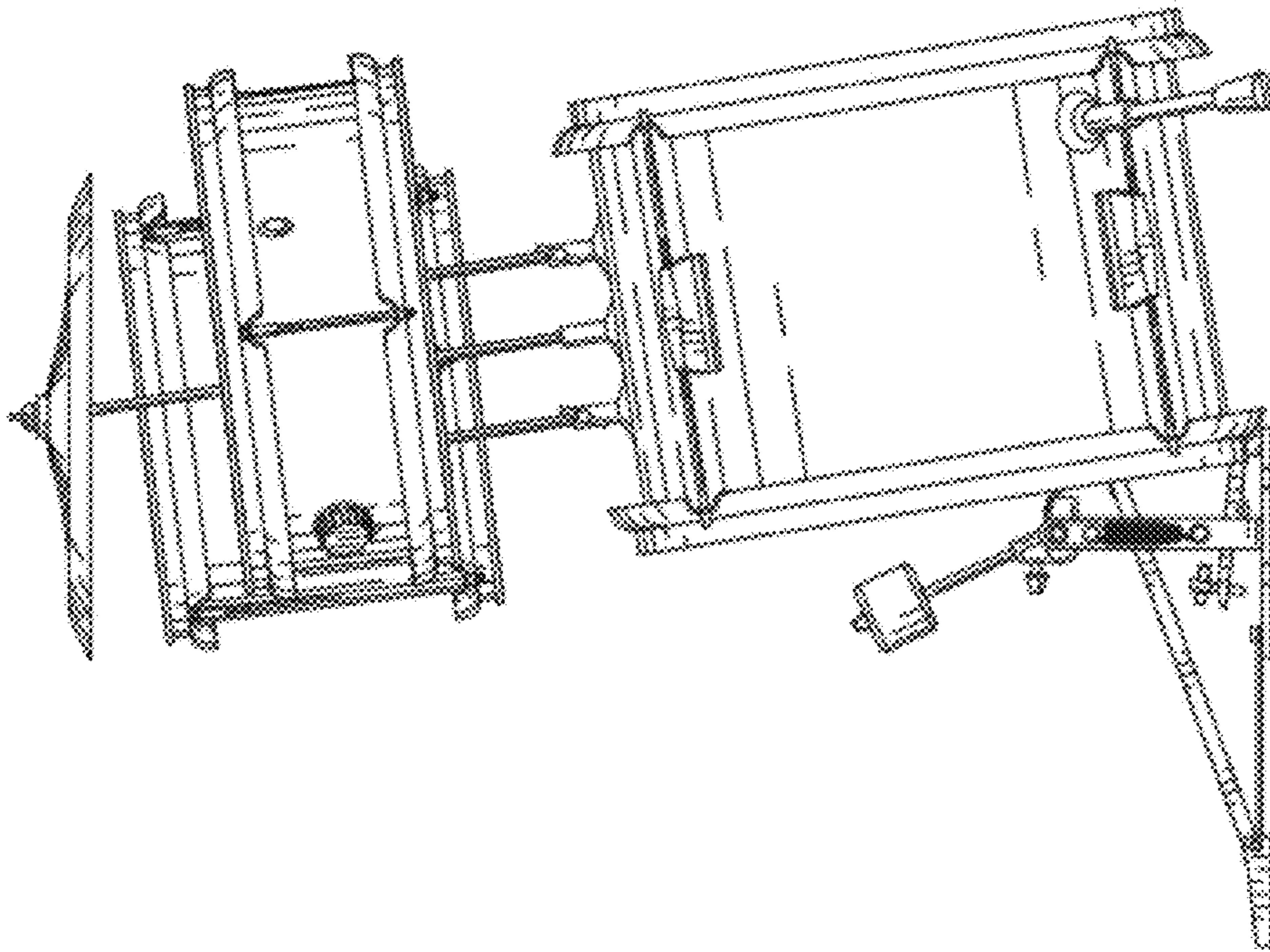


FIG. 6

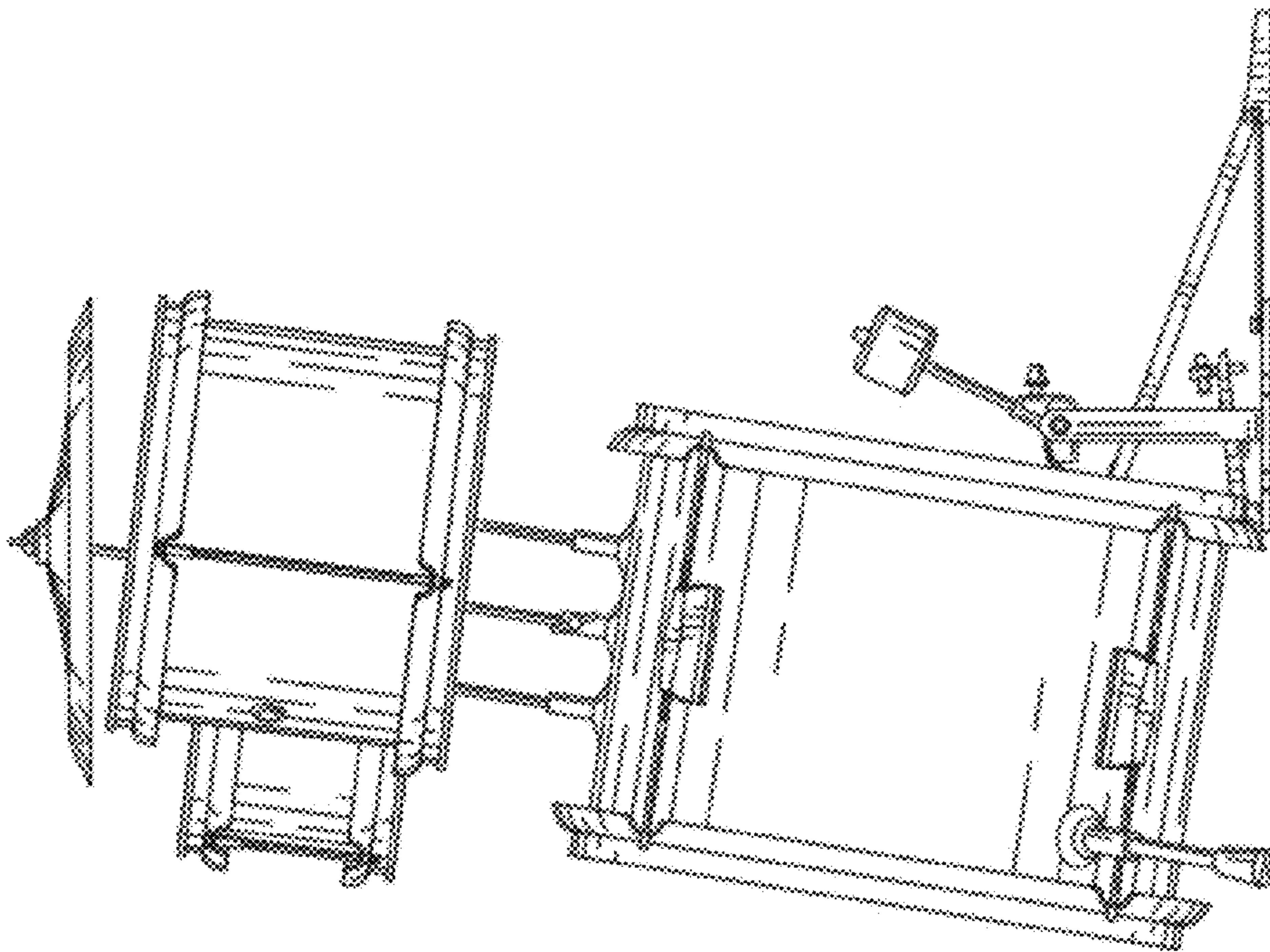


FIG. 5

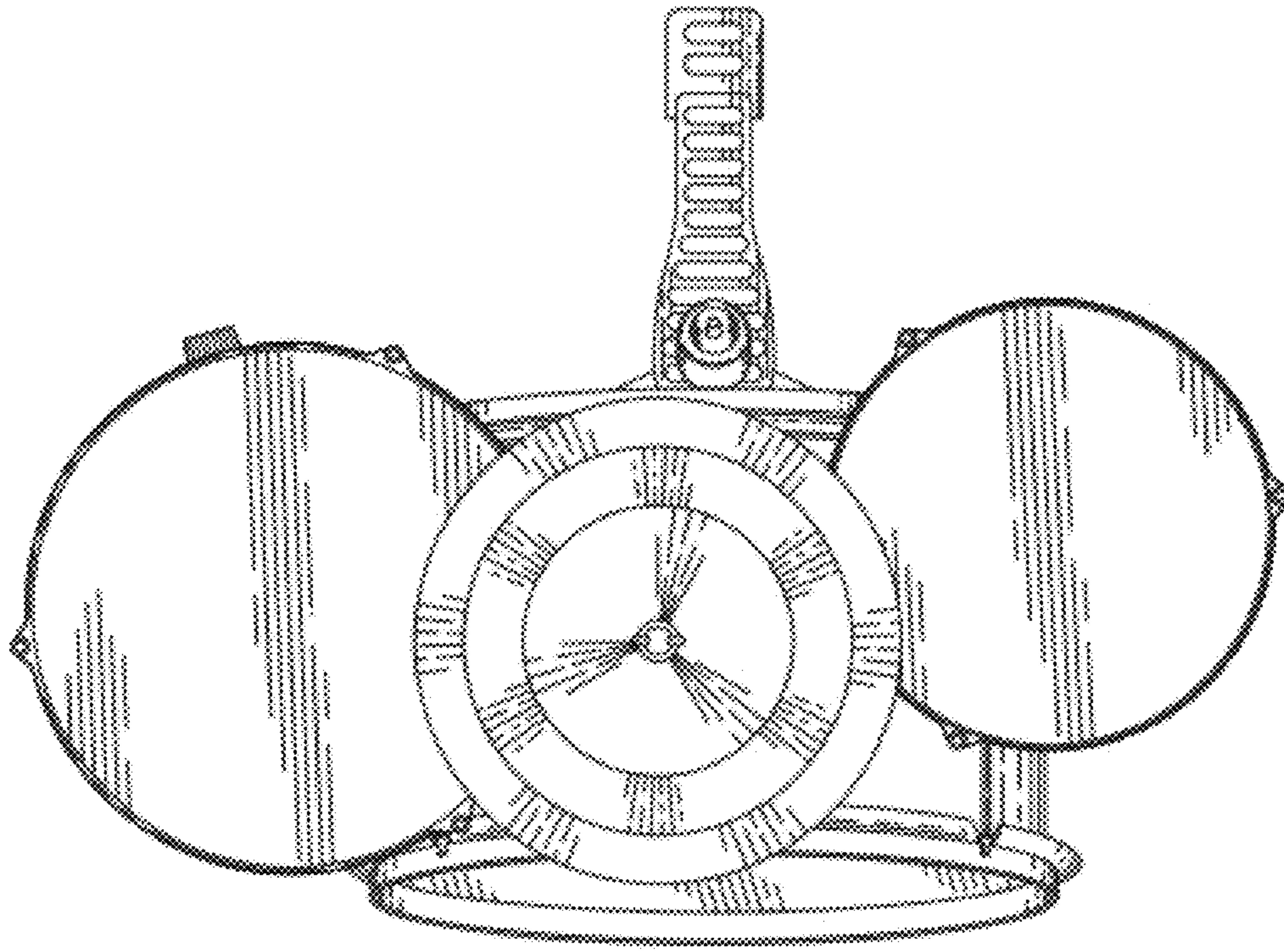


FIG. 7

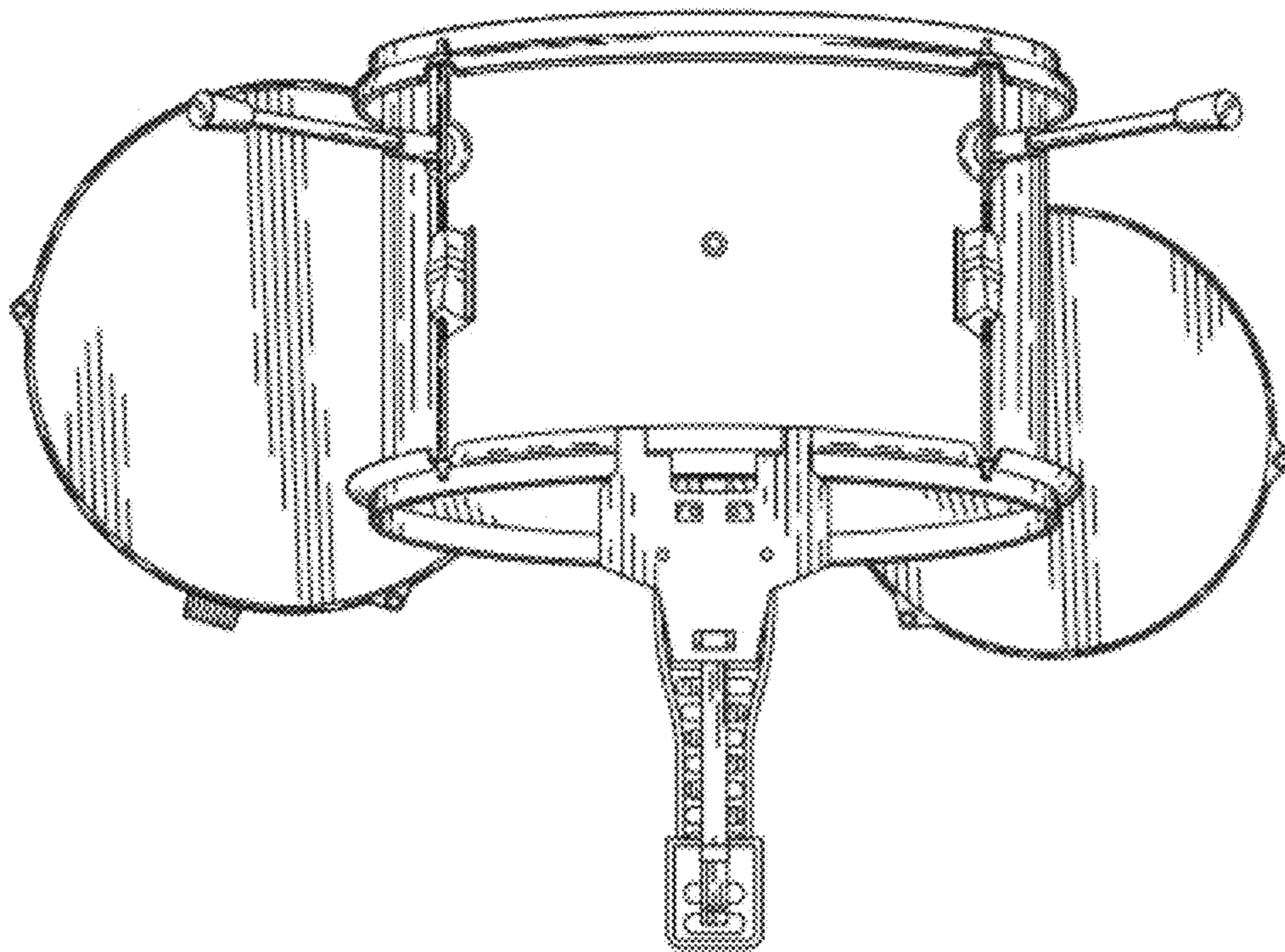


FIG. 8