



US00D665837S

(12) **United States Design Patent**  
**Tainaka**

(10) **Patent No.:** **US D665,837 S**

(45) **Date of Patent:** **\*\* Aug. 21, 2012**

(54) **INTERCHANGEABLE LENS FOR CAMERA**

(75) Inventor: **Daisuke Tainaka**, Hachioji (JP)

(73) Assignee: **Olympus Imaging Corp.**, Tokyo (JP)

(\*\*) Term: **14 Years**

(21) Appl. No.: **29/398,358**

(22) Filed: **Jul. 29, 2011**

(30) **Foreign Application Priority Data**

Jun. 28, 2011 (JP) ..... 2011-014647

(51) **LOC (9) Cl.** ..... **16-05**

(52) **U.S. Cl.** ..... **D16/219; D16/134**

(58) **Field of Classification Search** ..... D16/134,  
D16/136, 200, 204, 219; 359/819, 826, 827,  
359/828; 396/529-532

See application file for complete search history.

(56) **References Cited**

**U.S. PATENT DOCUMENTS**

2,287,468	A *	6/1942	Cisski	.....	359/827
3,906,534	A *	9/1975	Shirasaki	.....	396/530
D433,044	S *	10/2000	Nagaoka et al.	.....	D16/134
D548,262	S *	8/2007	Nakamura	.....	D16/219
D550,745	S *	9/2007	Watanabe	.....	D16/219
7,625,144	B2 *	12/2009	Kranz et al.	.....	396/529

\* cited by examiner

*Primary Examiner* — Adir Aronovich

(74) *Attorney, Agent, or Firm* — Holtz, Holtz, Goodman & Chick, PC

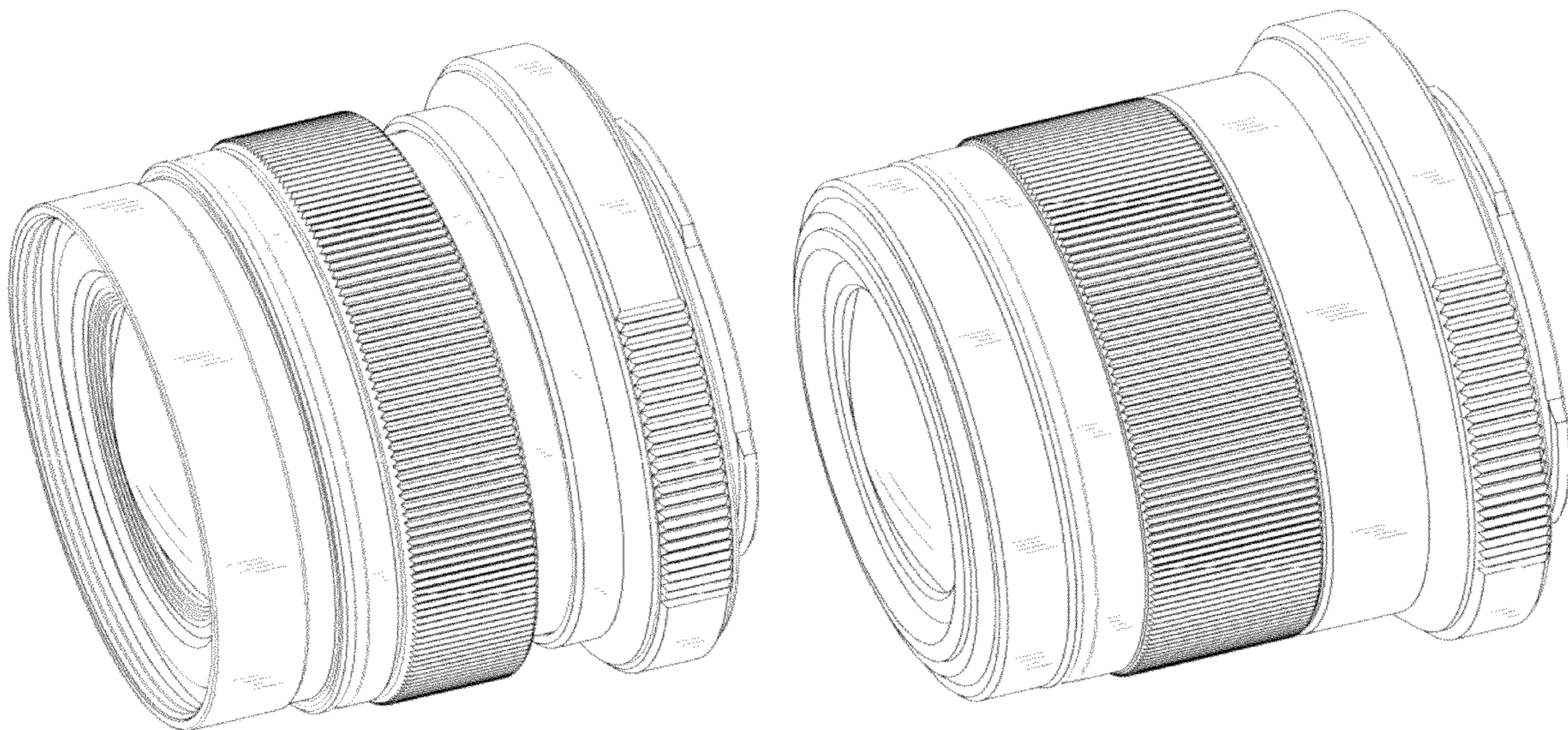
(57) **CLAIM**

The ornamental design for an interchangeable lens for camera, as shown and described.

**DESCRIPTION**

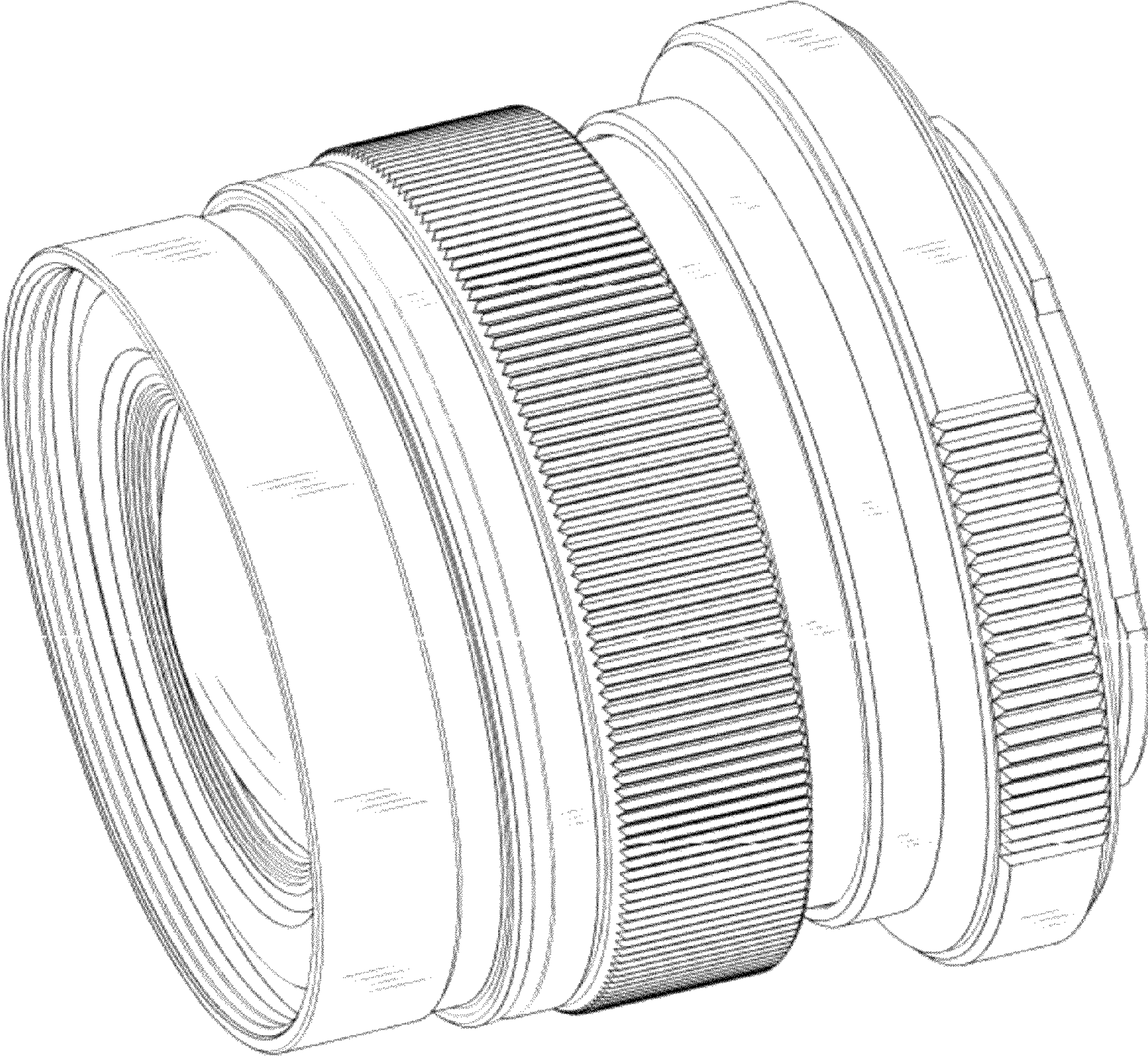
FIG. 1 is a front, top and right side perspective view of an interchangeable lens for camera showing a ring closed state of a first embodiment showing my new design;  
 FIG. 2 is a front, top and right side perspective view showing the ring open state thereof;  
 FIG. 3 is a front elevational view thereof;  
 FIG. 4 is a rear elevational view thereof;  
 FIG. 5 is a top plan view thereof;  
 FIG. 6 is a bottom plan view thereof;  
 FIG. 7 is a right side elevational view thereof; and  
 FIG. 8 is a left side elevational view thereof.  
 FIG. 9 is a front, top and right side perspective view of a second embodiment;  
 FIG. 10 is a front elevational view thereof;  
 FIG. 11 is a rear elevational view thereof;  
 FIG. 12 is a top plan view thereof;  
 FIG. 13 is a bottom plan view thereof;  
 FIG. 14 is a right side elevational view thereof; and,  
 FIG. 15 is a left side elevational view thereof.

**1 Claim, 15 Drawing Sheets**



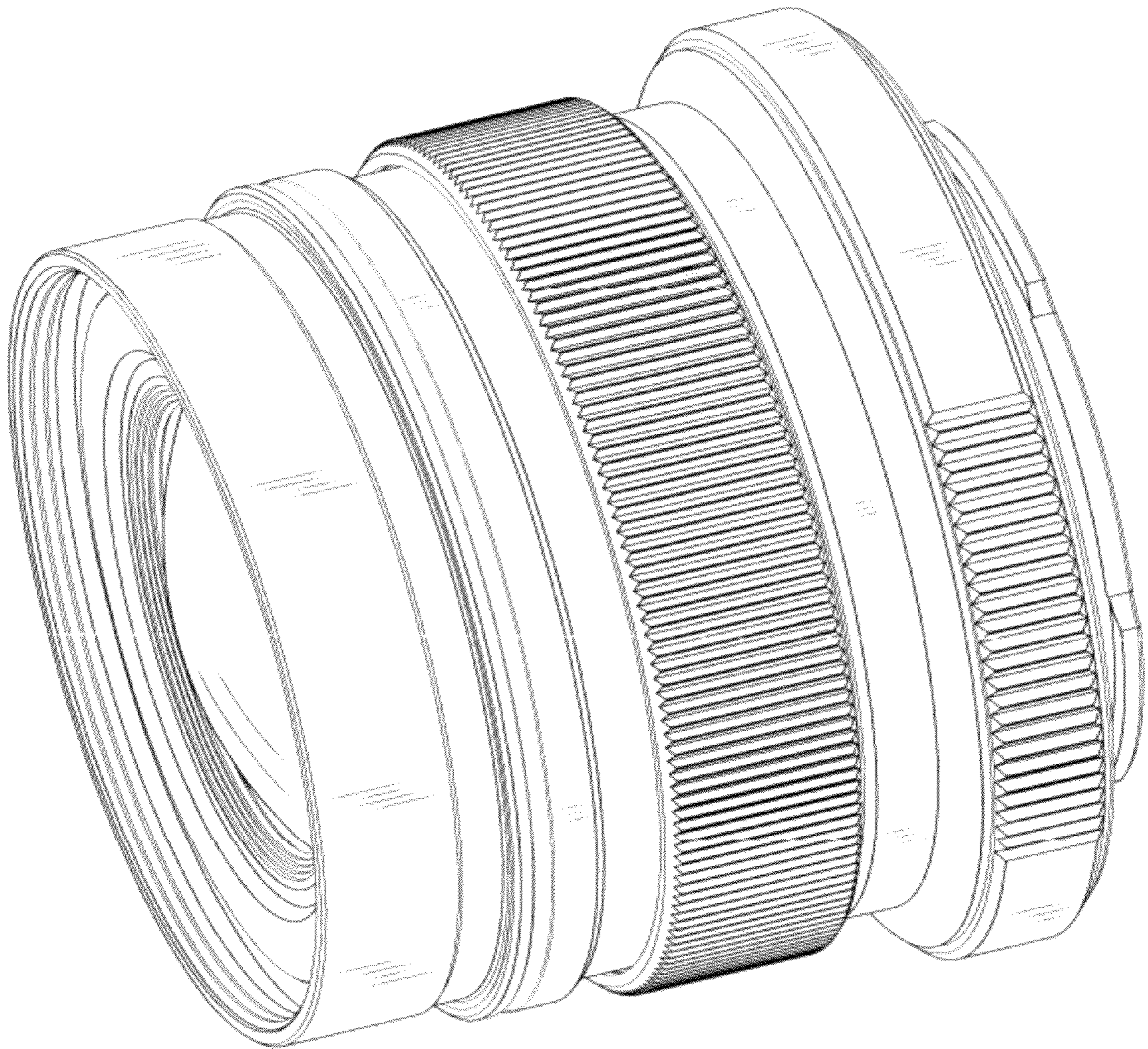


**FIG. 1**



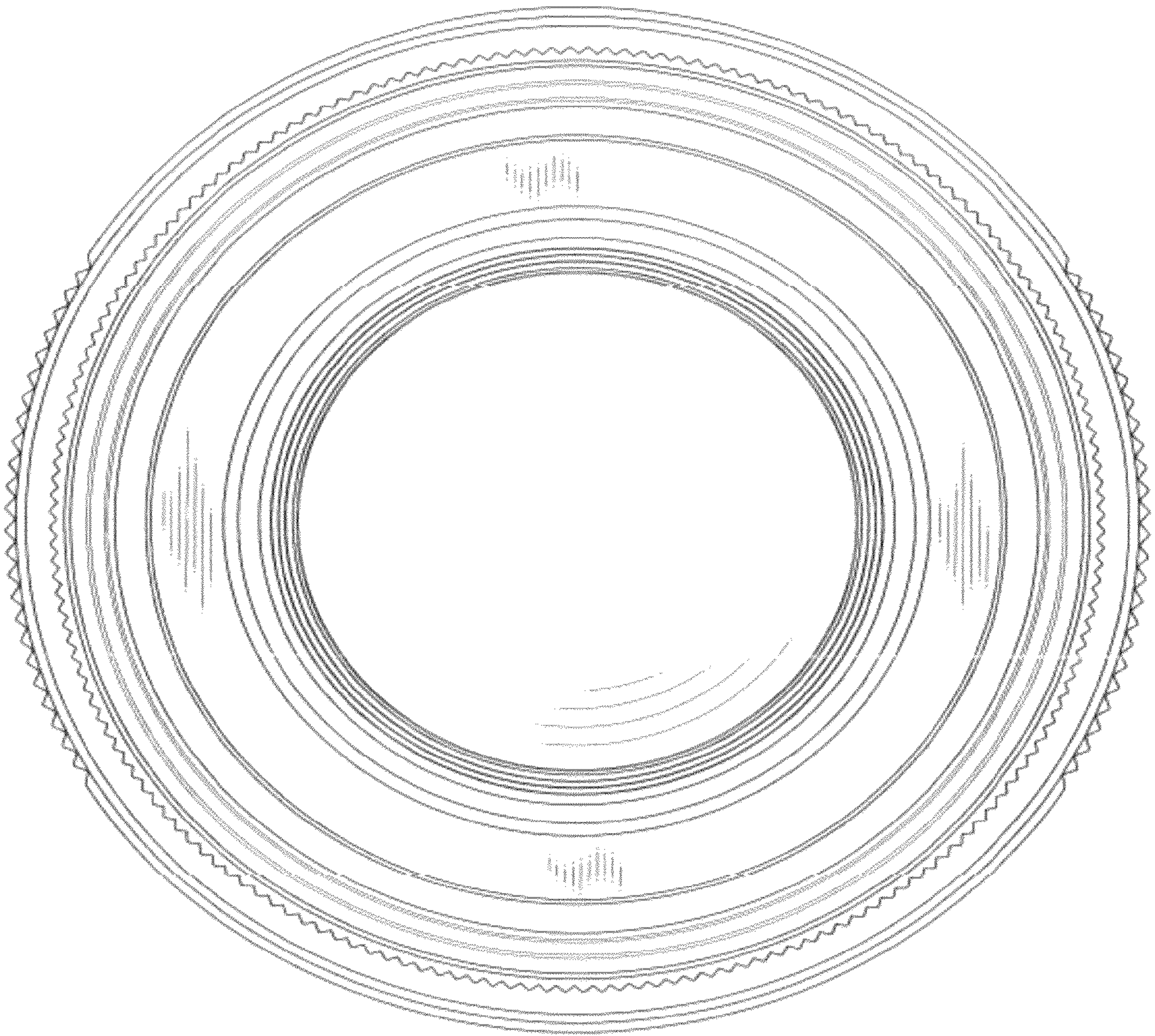


**FIG.2**





**FIG.3**





**FIG.4**

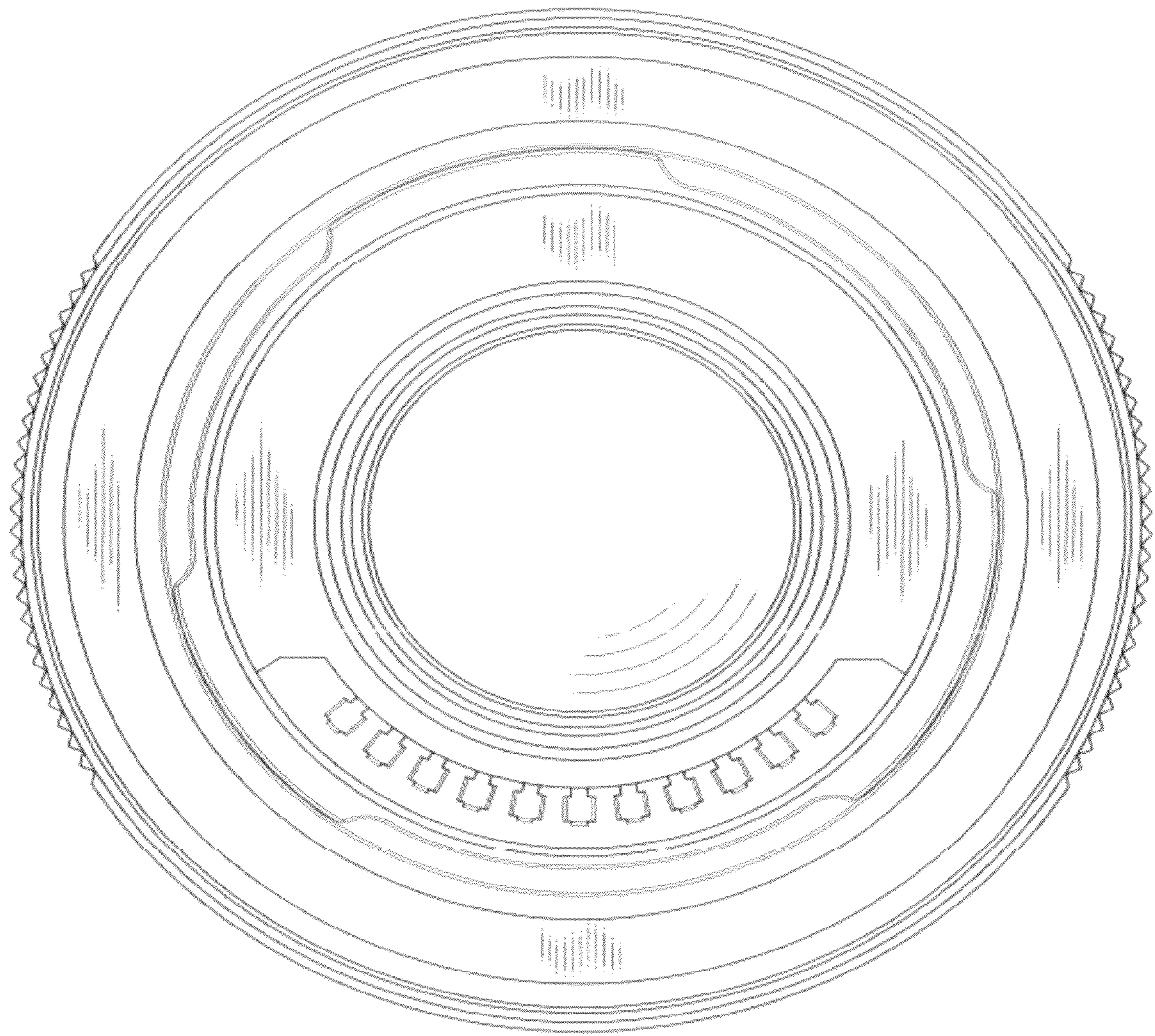
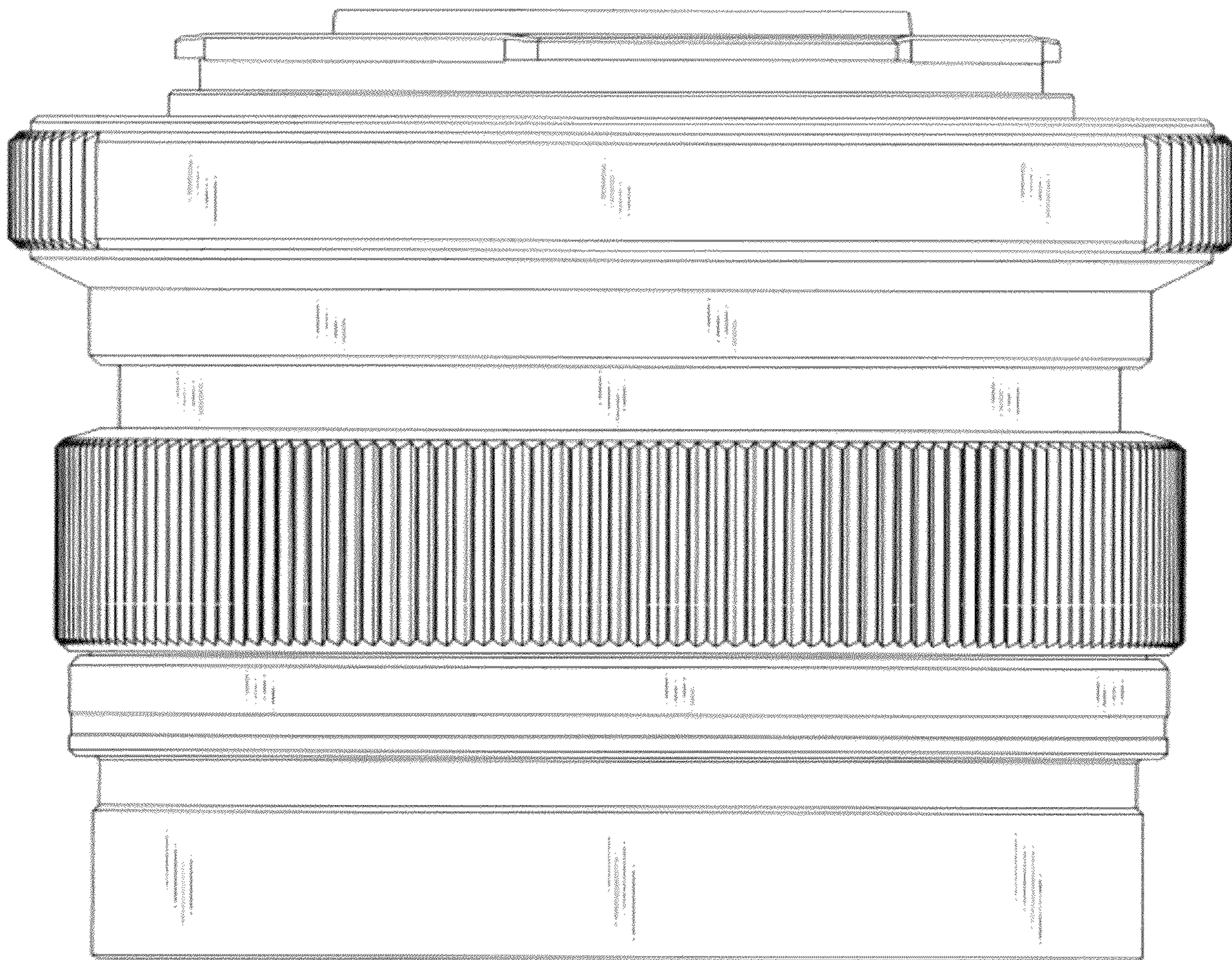




FIG.5





**FIG.6**

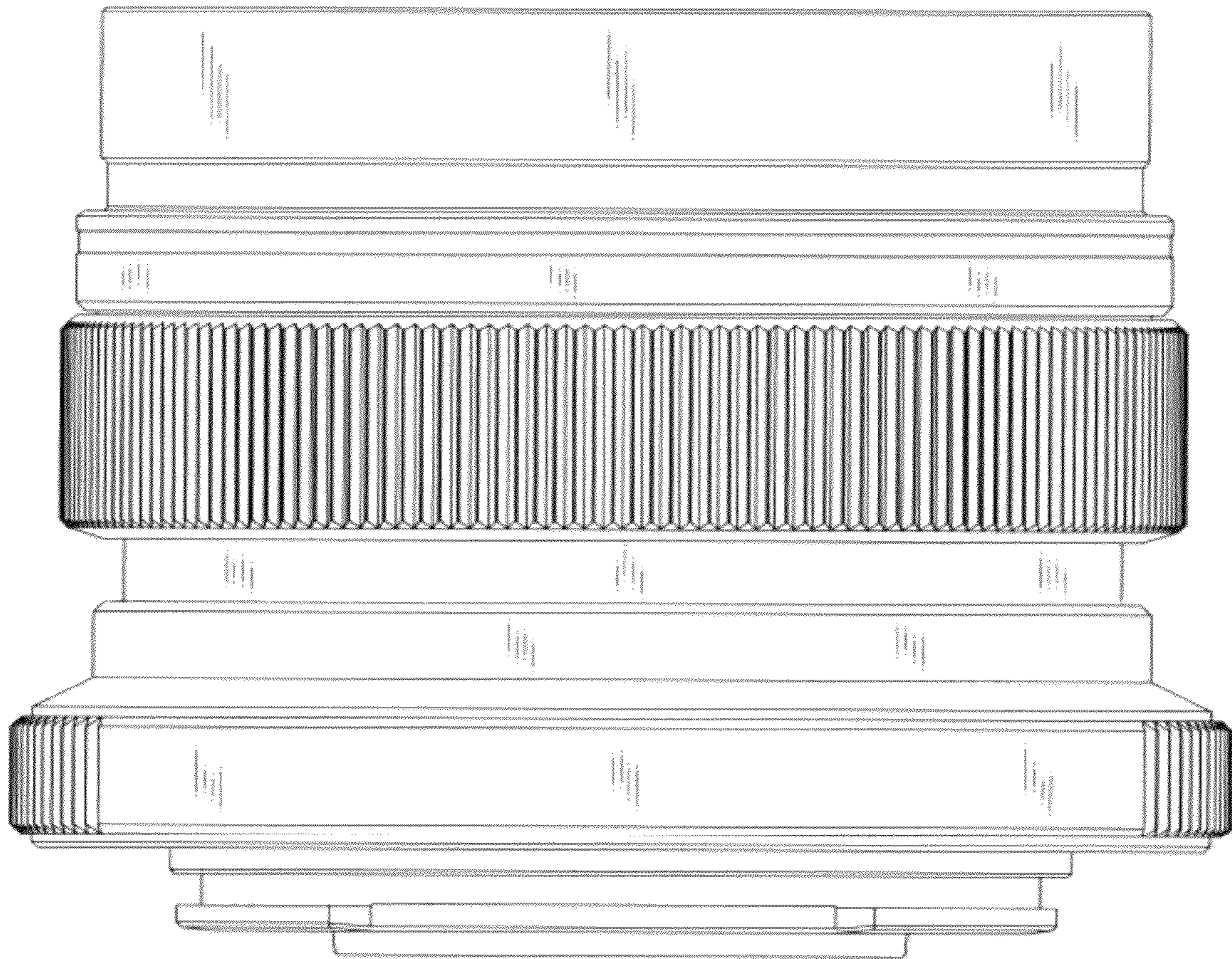
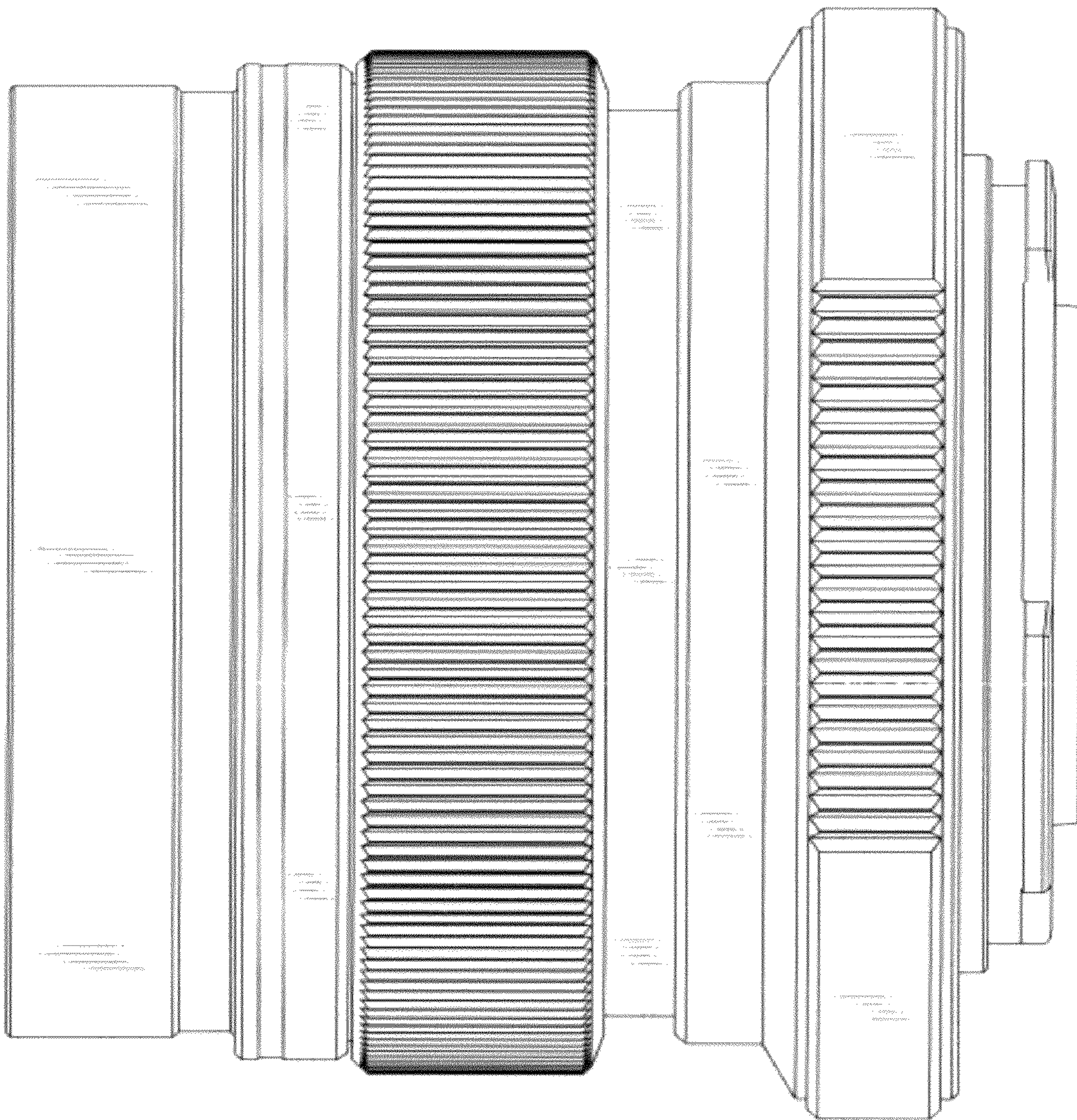


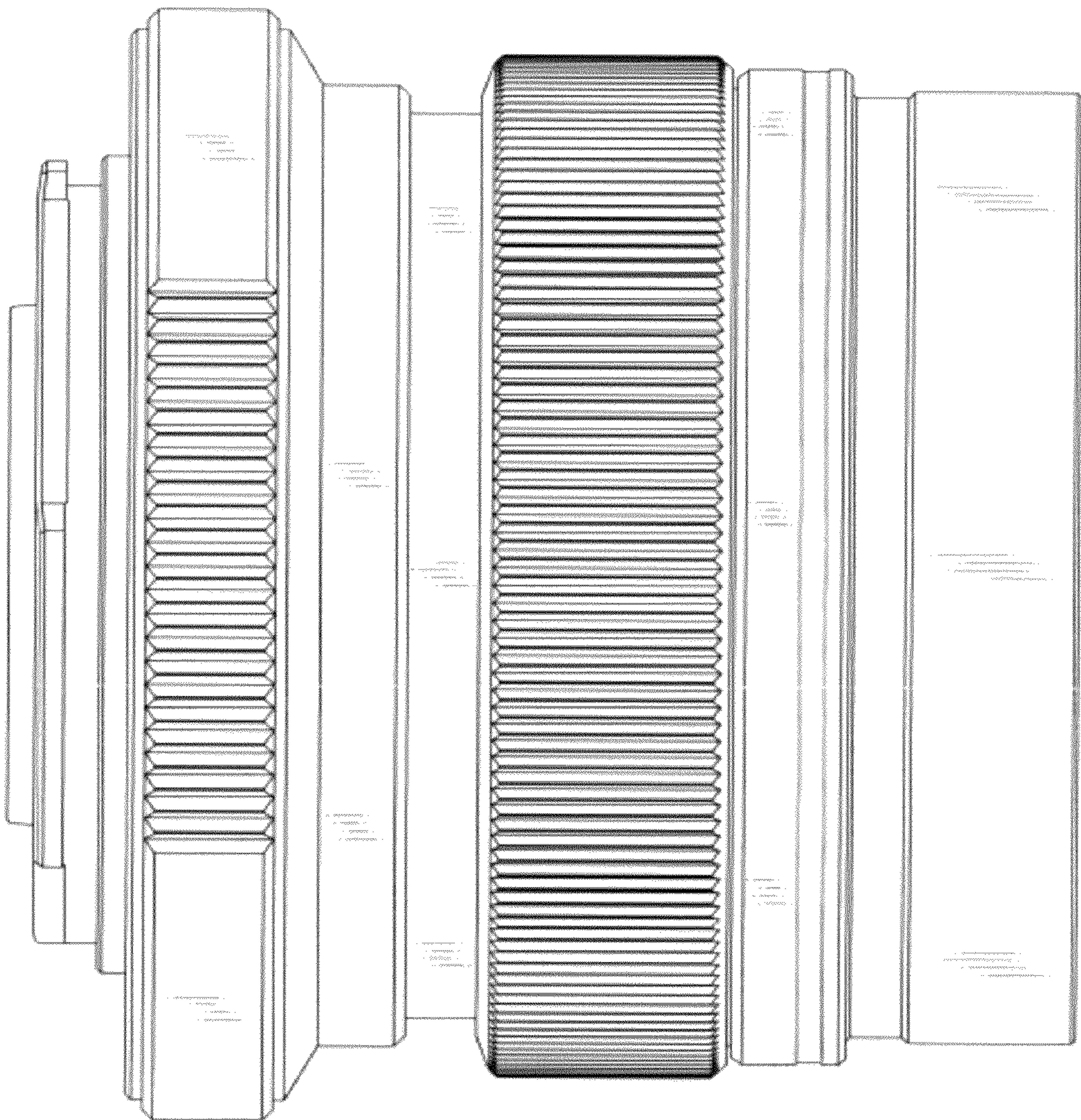


FIG. 7



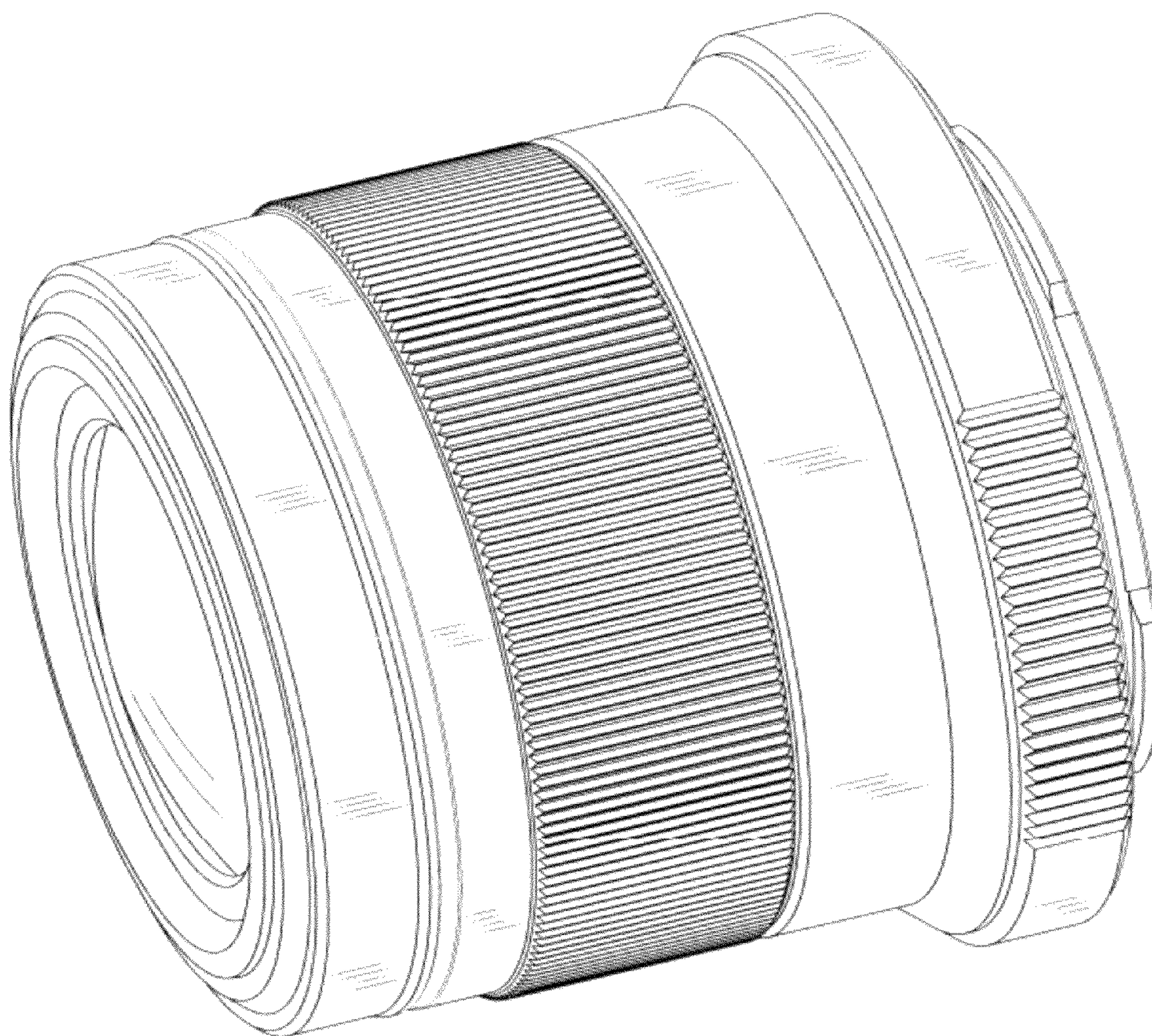


**FIG. 8**



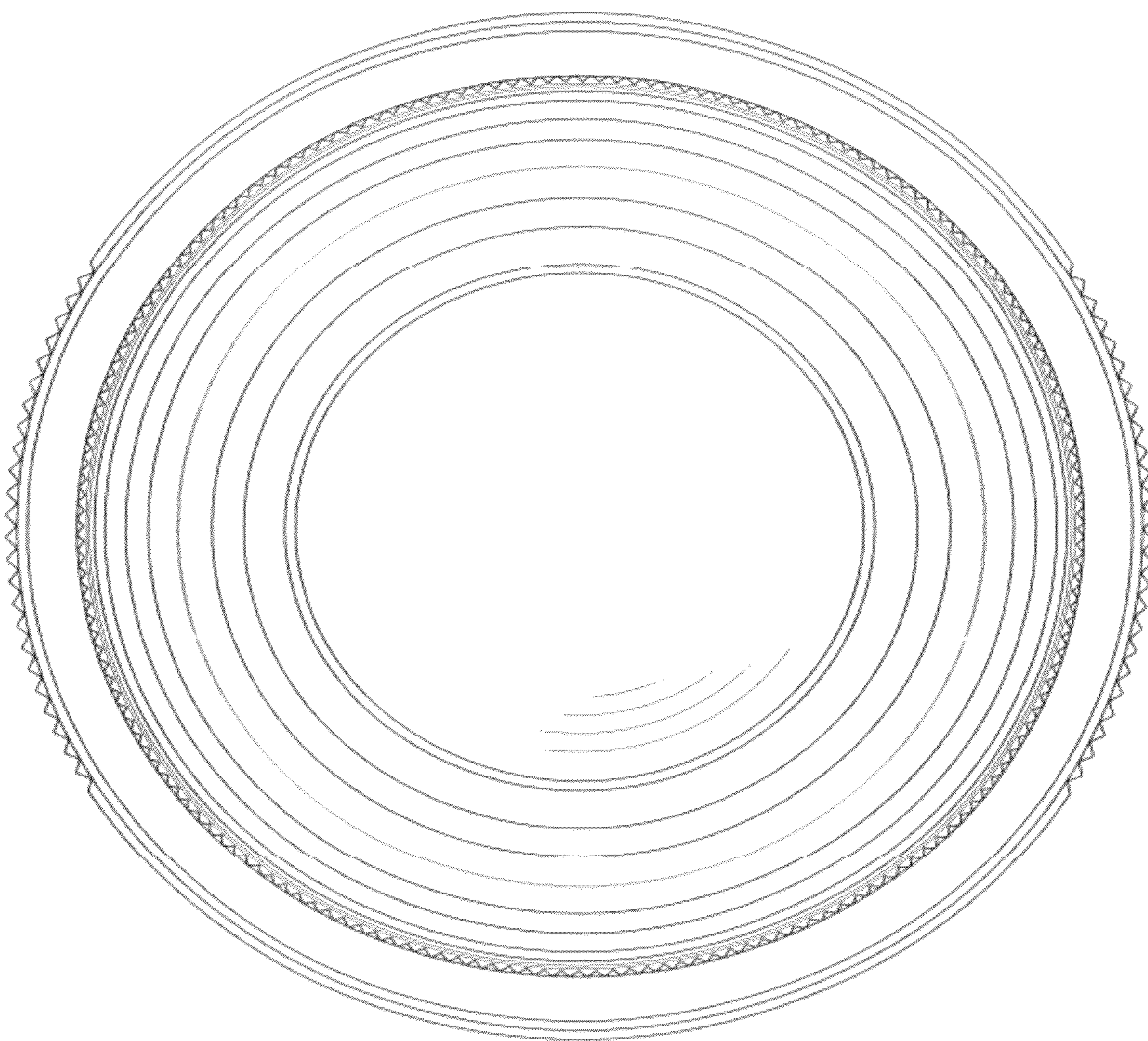


**FIG.9**





**FIG.10**





**FIG. 11**

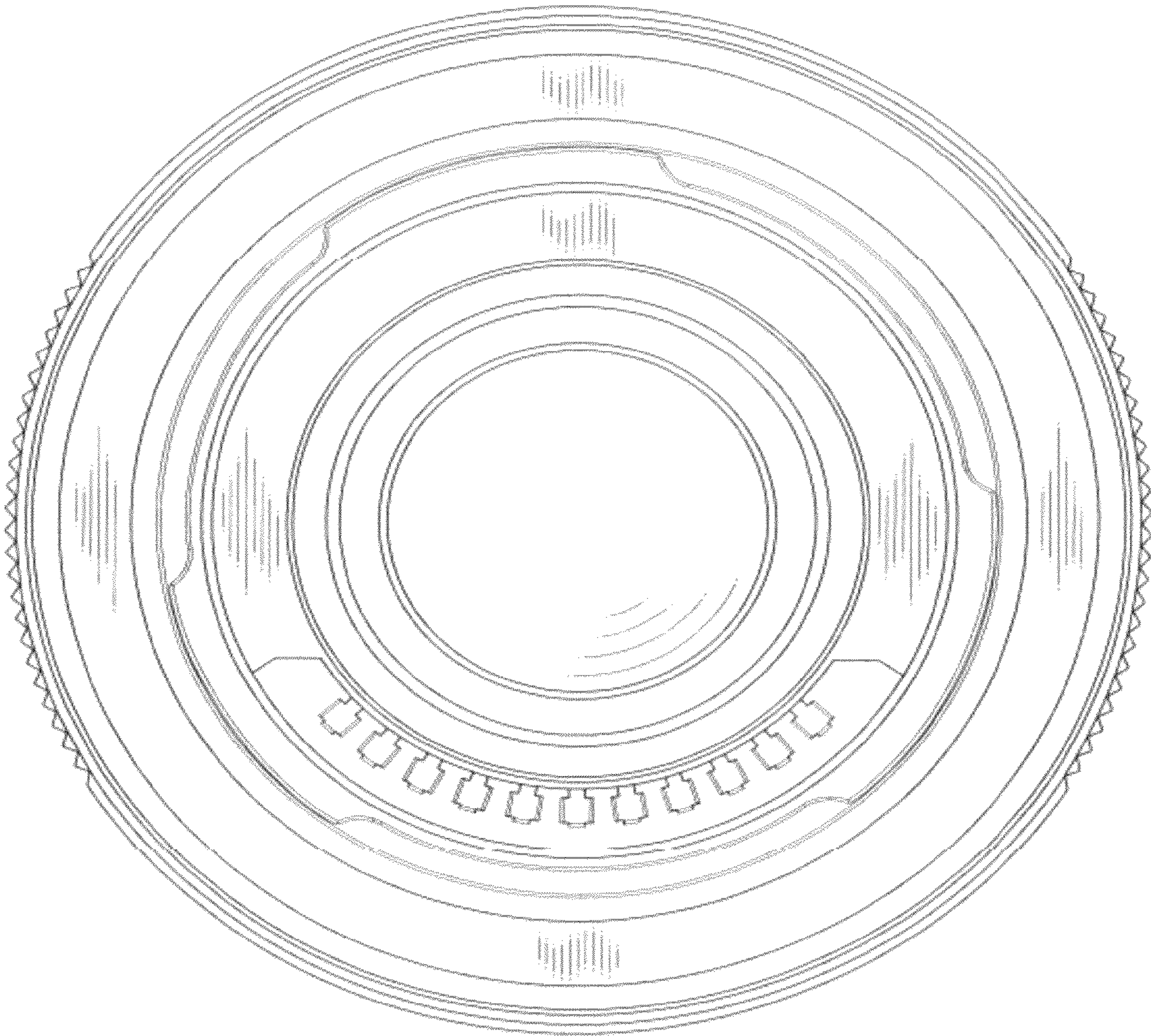
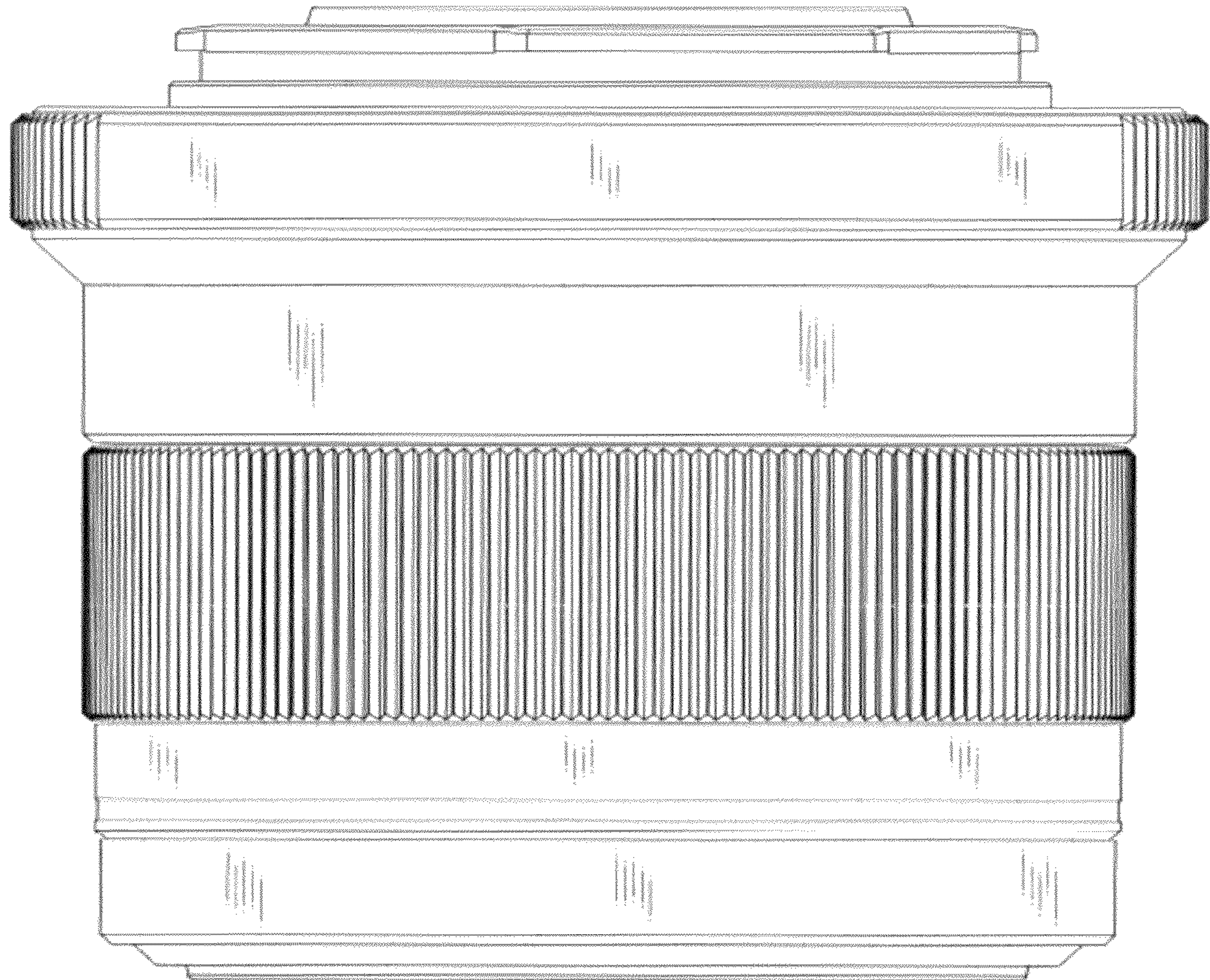




FIG. 12





**FIG. 13**

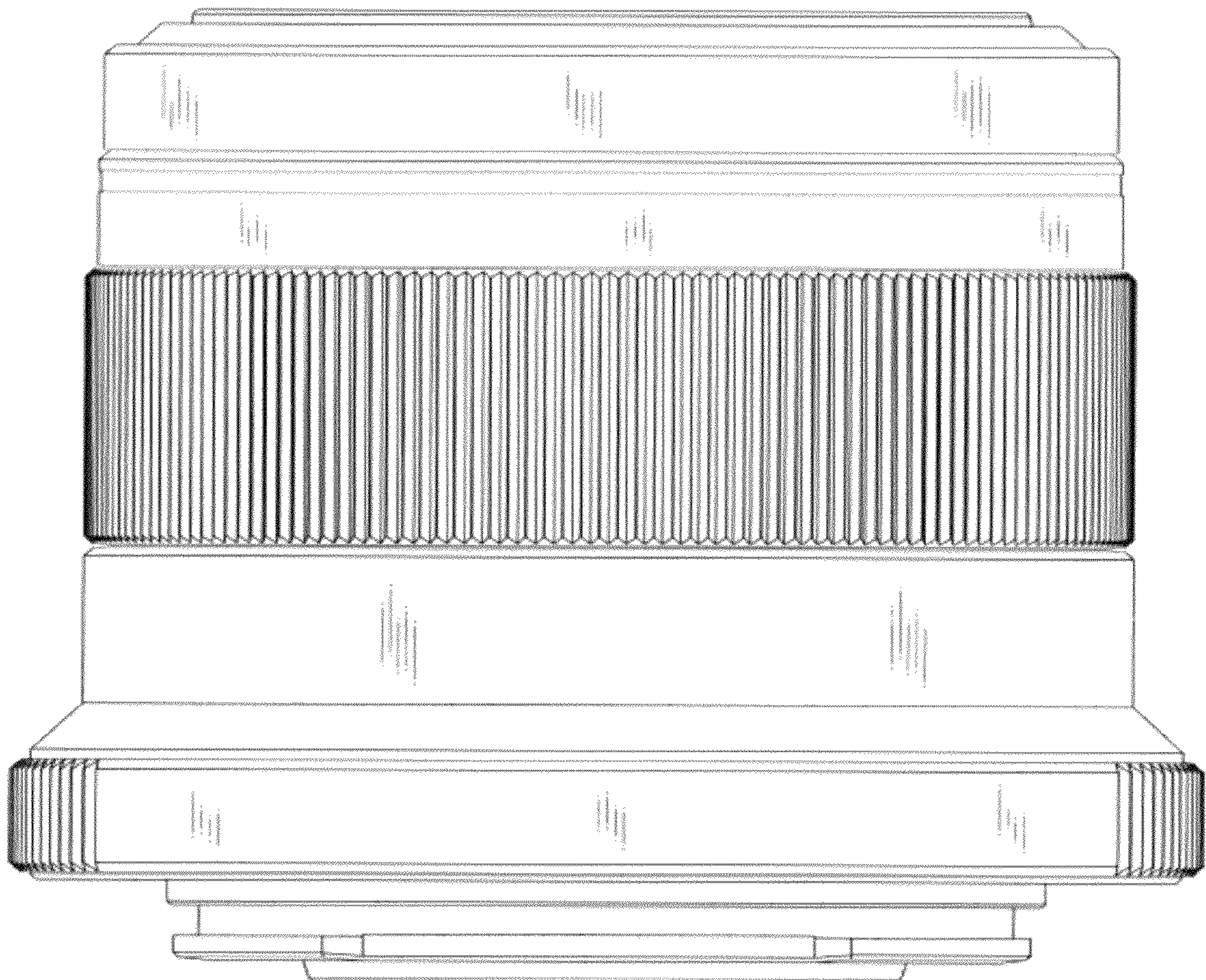




FIG. 14

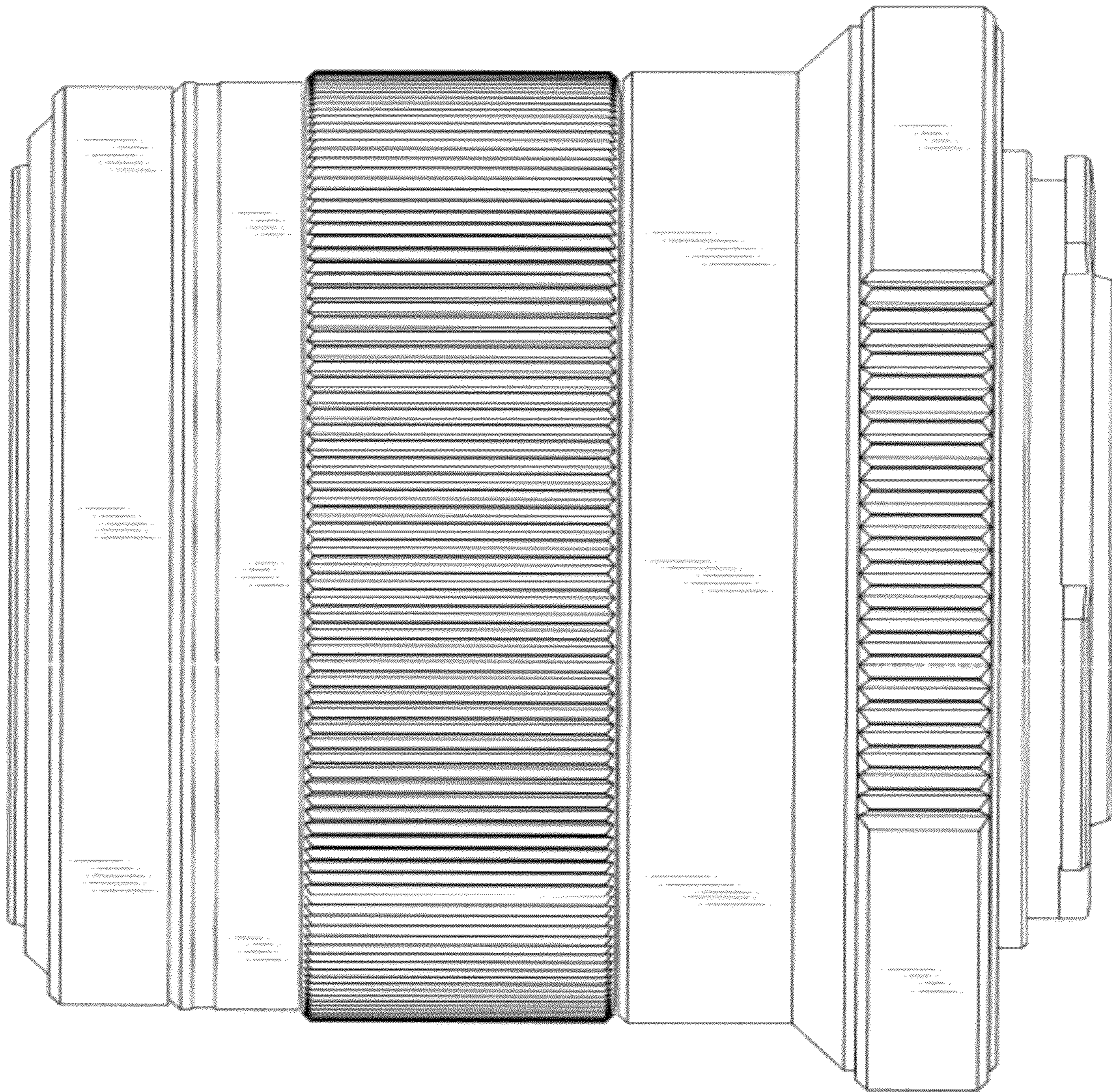




FIG. 15

