



US00D665836S

(12) **United States Design Patent**
Yanagi et al.

(10) **Patent No.:** **US D665,836 S**

(45) **Date of Patent:** **** Aug. 21, 2012**

(54) **LENS FOR TELEVISION CAMERA**

(75) Inventors: **Hiromi Yanagi**, Saitama (JP); **Makoto Isozaki**, Saitama (JP)

(73) Assignee: **FUJIFILM Corporation**, Tokyo (JP)

(**) Term: **14 Years**

(21) Appl. No.: **29/391,856**

(22) Filed: **May 13, 2011**

(30) **Foreign Application Priority Data**

Nov. 16, 2010 (JP) 2010-027562

(51) **LOC (9) Cl.** **16-05**

(52) **U.S. Cl.** **D16/219; D16/243**

(58) **Field of Classification Search** D16/134,
D16/136, 200, 204, 219, 237, 243; 352/243;
348/373, 376; 396/423, 424, 439
See application file for complete search history.

(56) **References Cited**

U.S. PATENT DOCUMENTS

4,757,335 A * 7/1988 Muryoi et al. 396/423
D469,792 S * 2/2003 Kawashima D16/134

D615,117 S * 5/2010 Isozaki D16/243
D624,110 S * 9/2010 Isozaki D16/243
7,845,863 B2 * 12/2010 Ahn et al. 348/376
D633,544 S * 3/2011 Tainaka D16/219

* cited by examiner

Primary Examiner — Adir Aronovich

(74) *Attorney, Agent, or Firm* — Sughrue Mion, PLLC

(57) **CLAIM**

The ornamental design for a lens for television camera, as shown and described.

DESCRIPTION

FIG. 1 is a top front and left side perspective view of a lens for television camera showing our new design; FIG. 2 is a top plan view thereof; and FIG. 3 is a left side elevational view thereof; FIG. 4 is a rear elevational view thereof; and, FIG. 5 is a partial enlarged view of a portion where the thumb is placed.

The portions of the lens for television camera in broken lines are shown for illustrative purposes only and form no part of the claimed design.

1 Claim, 5 Drawing Sheets

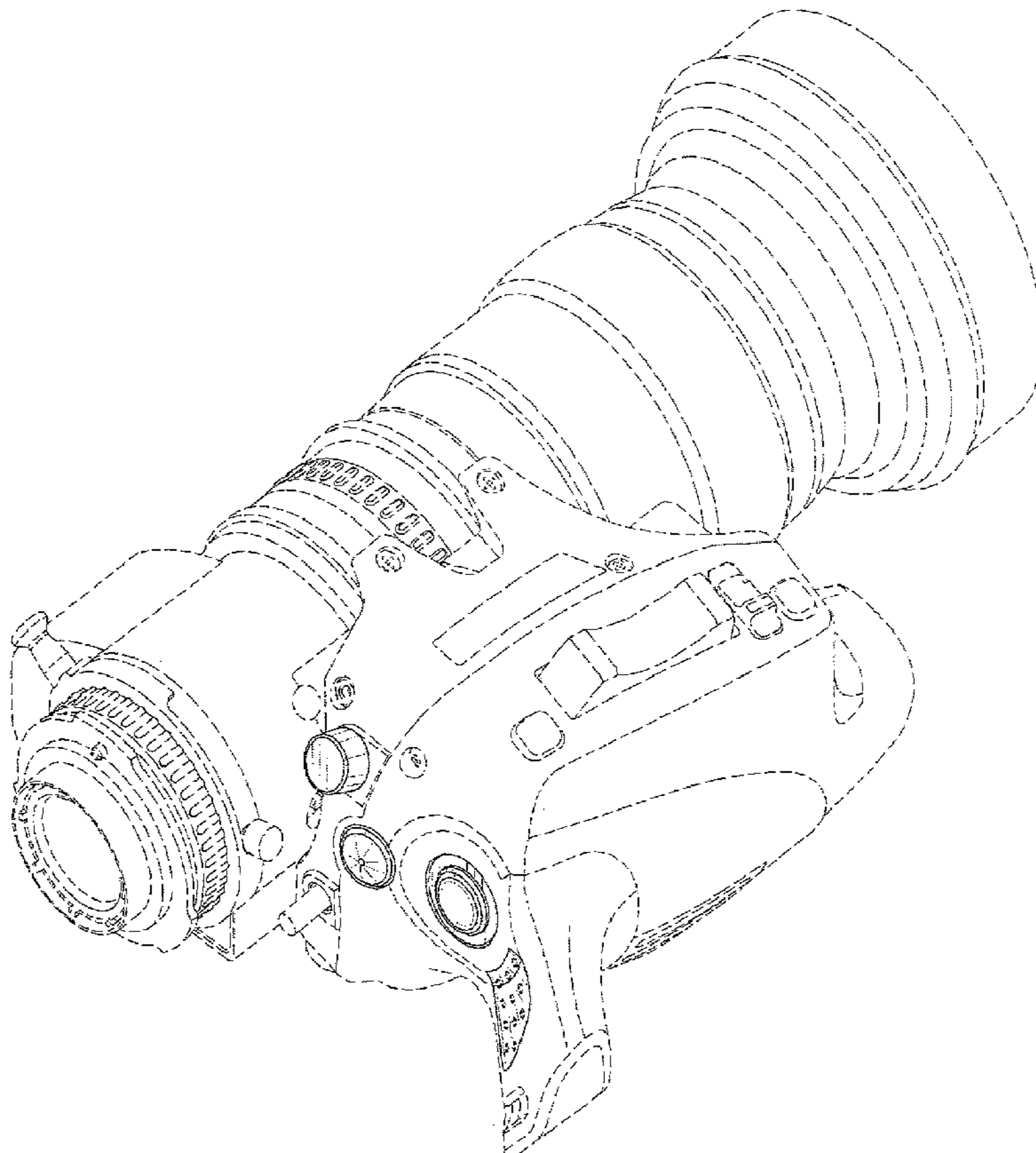


FIG. 1

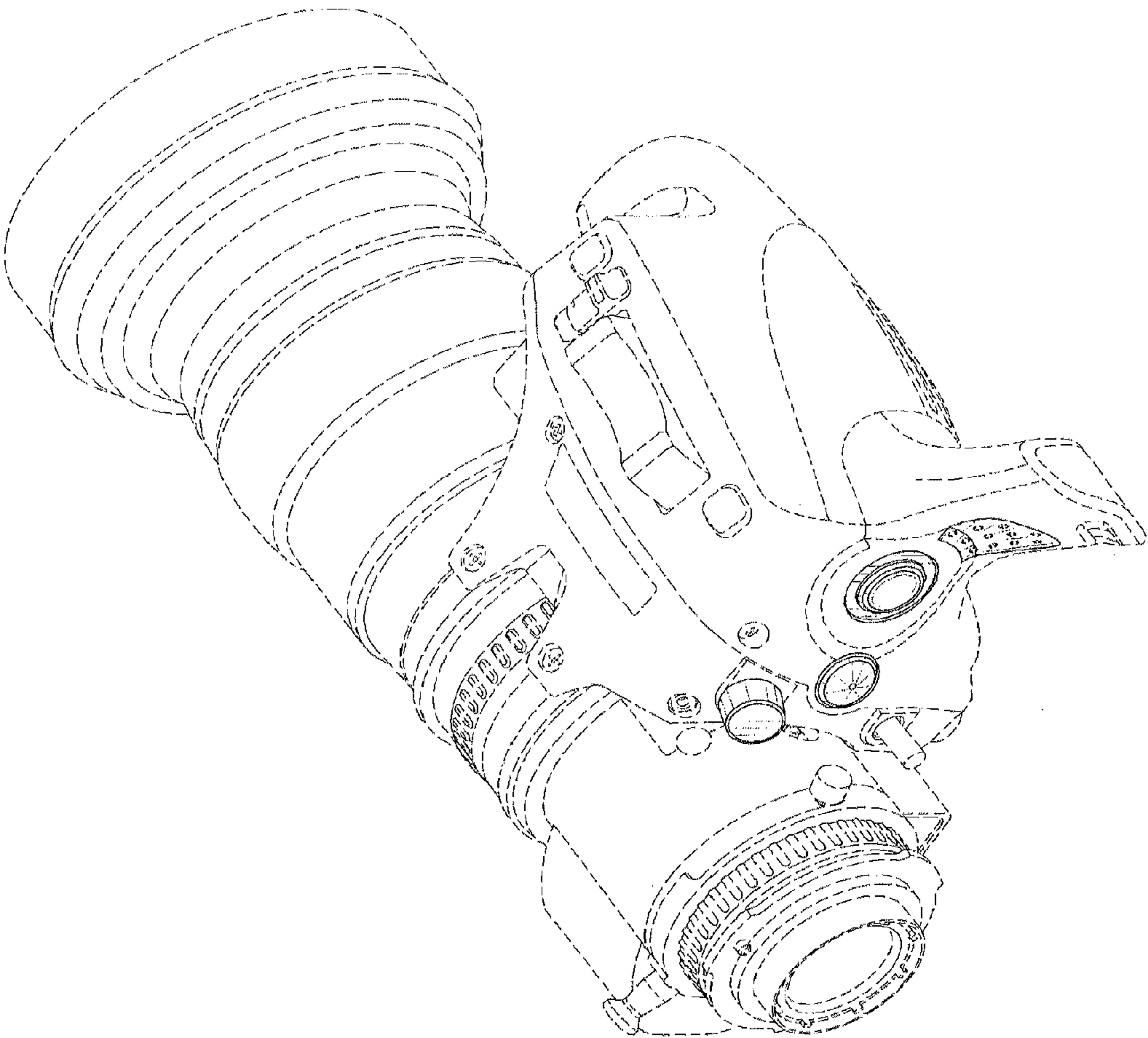


FIG. 2

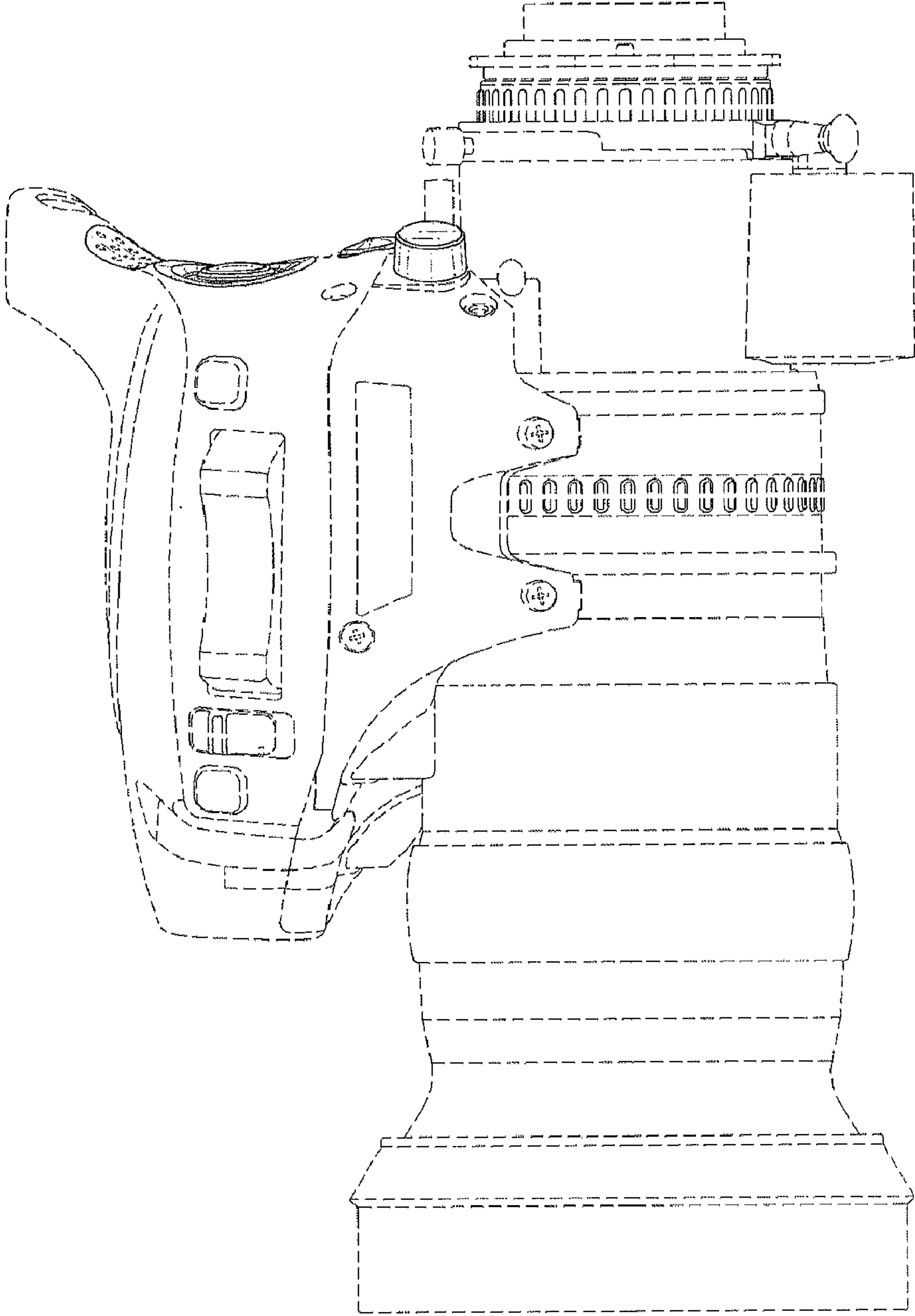


FIG. 3

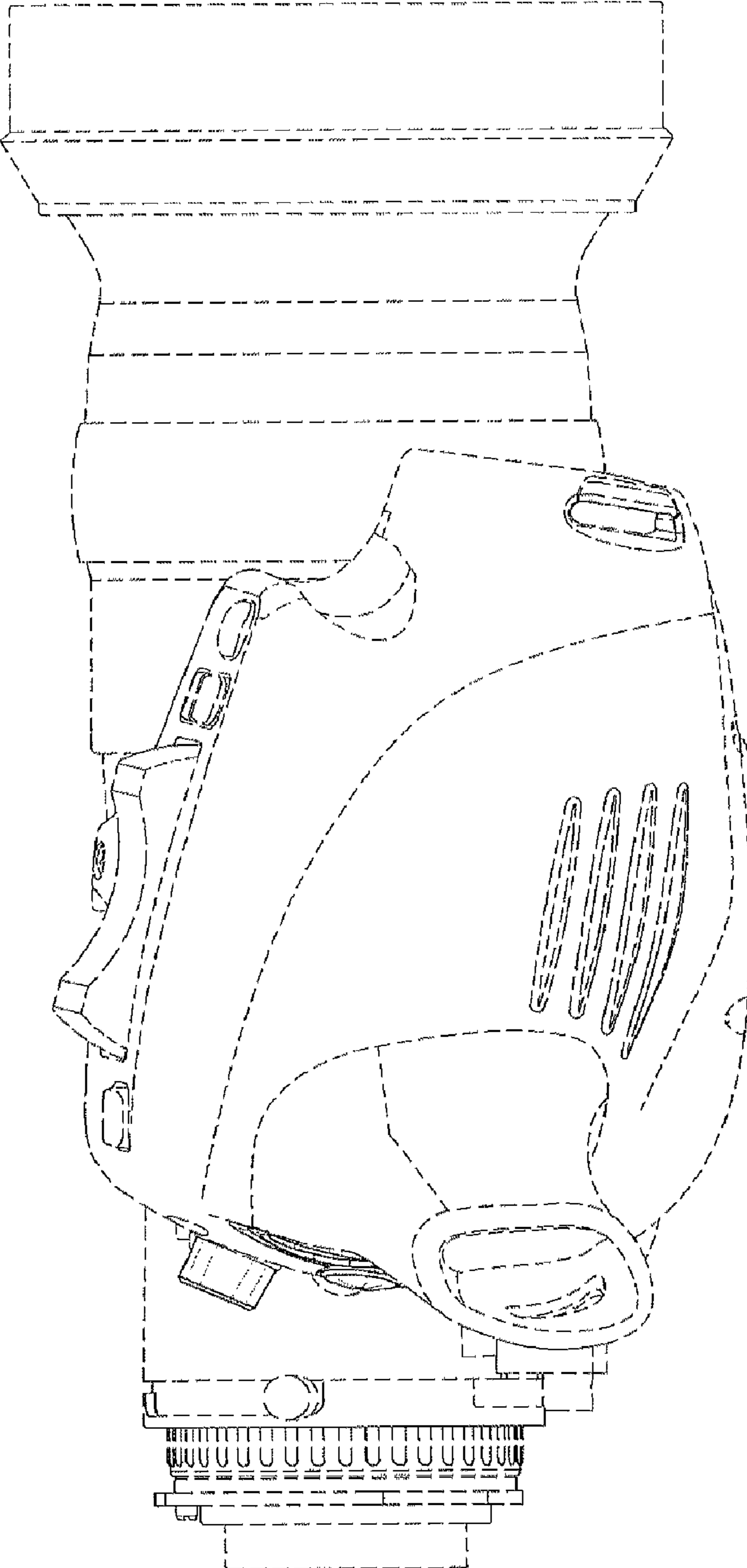


FIG.4

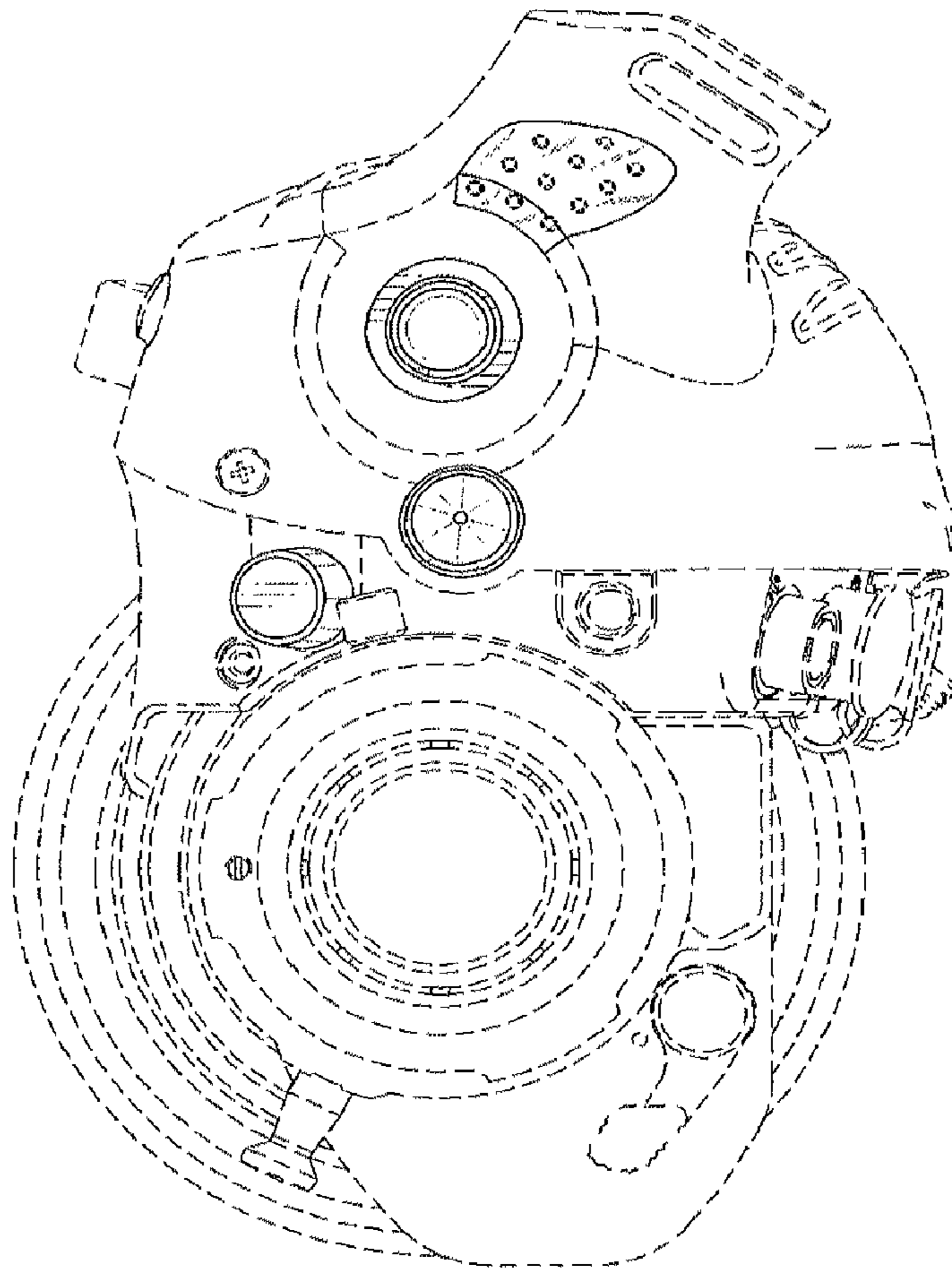


FIG. 5

