



US00D665835S

(12) **United States Design Patent**
Yanagi et al.

(10) **Patent No.:** **US D665,835 S**
(45) **Date of Patent:** **** Aug. 21, 2012**

(54) **LENS FOR TELEVISION CAMERA**

(75) Inventors: **Hiromi Yanagi**, Saitama (JP); **Makoto Isozaki**, Saitama (JP)

(73) Assignee: **FUJIFILM Corporation**, Tokyo (JP)

(**) Term: **14 Years**

(21) Appl. No.: **29/391,850**

(22) Filed: **May 13, 2011**

(30) **Foreign Application Priority Data**

Nov. 16, 2010 (JP) 2010-027560

(51) **LOC (9) Cl.** **16-05**

(52) **U.S. Cl.** **D16/219; D16/243**

(58) **Field of Classification Search** D16/134,
D16/136, 200, 204, 219, 237, 243; 352/243;
348/373, 376; 396/423, 424, 439
See application file for complete search history.

(56) **References Cited**

U.S. PATENT DOCUMENTS

D330,904 S * 11/1992 Sasaki D16/243
D469,792 S 2/2003 Kawashima
D505,685 S * 5/2005 Yoshida D16/219

D524,841 S * 7/2006 Ikenaga D16/219
D604,351 S * 11/2009 Miyazaki D16/219
D605,681 S * 12/2009 Obata D16/219
D615,118 S * 5/2010 Isozaki D16/243
7,845,863 B2 * 12/2010 Ahn et al. 396/423

OTHER PUBLICATIONS

Notification of Reasons for Refusal, dated Jul. 13, 2011, issued in corresponding JP Application No. 2010-027560, 4 pages in English and Japanese.

* cited by examiner

Primary Examiner — Adir Aronovich

(74) *Attorney, Agent, or Firm* — Sughrue Mion, PLLC

(57) **CLAIM**

The ornamental design for a lens for television camera, as shown and described.

DESCRIPTION

FIG. 1 is a top, front and left side perspective view of a lens for television camera showing our new design; FIG. 2 is a front elevational view thereof; FIG. 3 is a top plan view thereof; and, FIG. 4 is a left side elevational view thereof. The portions of the lens for television camera in broken lines are shown for illustrative purposes only and form no part of the claimed design.

1 Claim, 4 Drawing Sheets

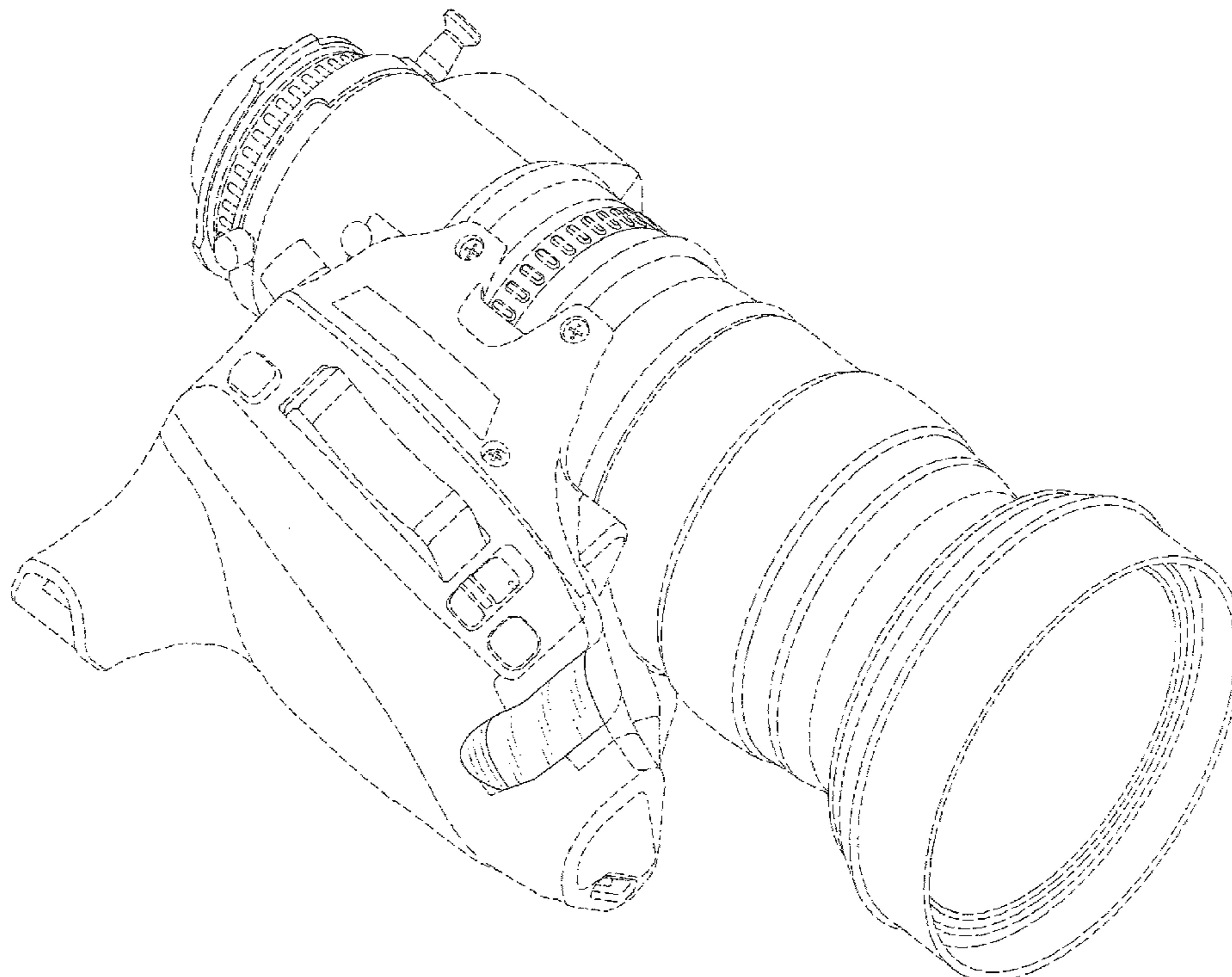


FIG. 1

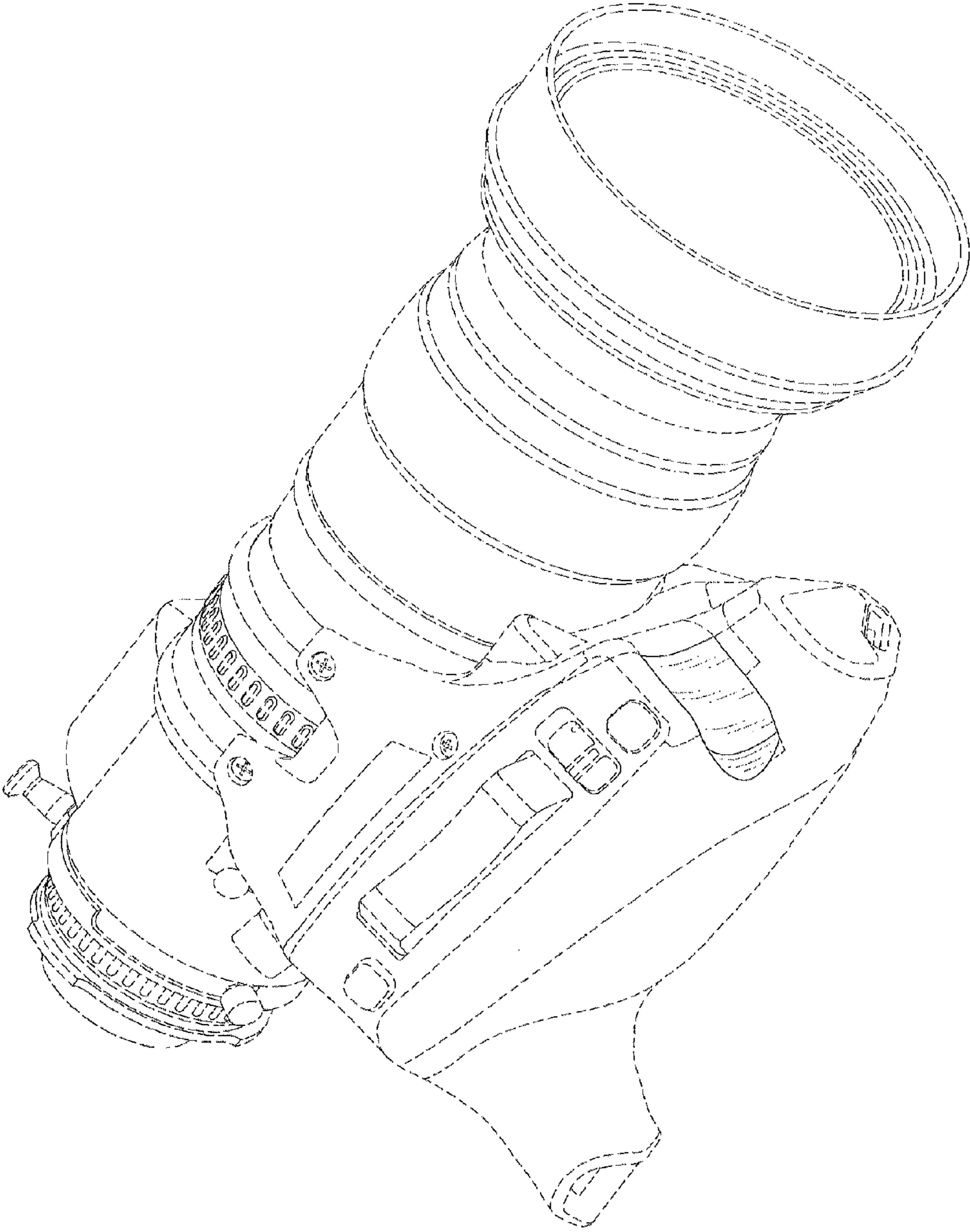


FIG. 2

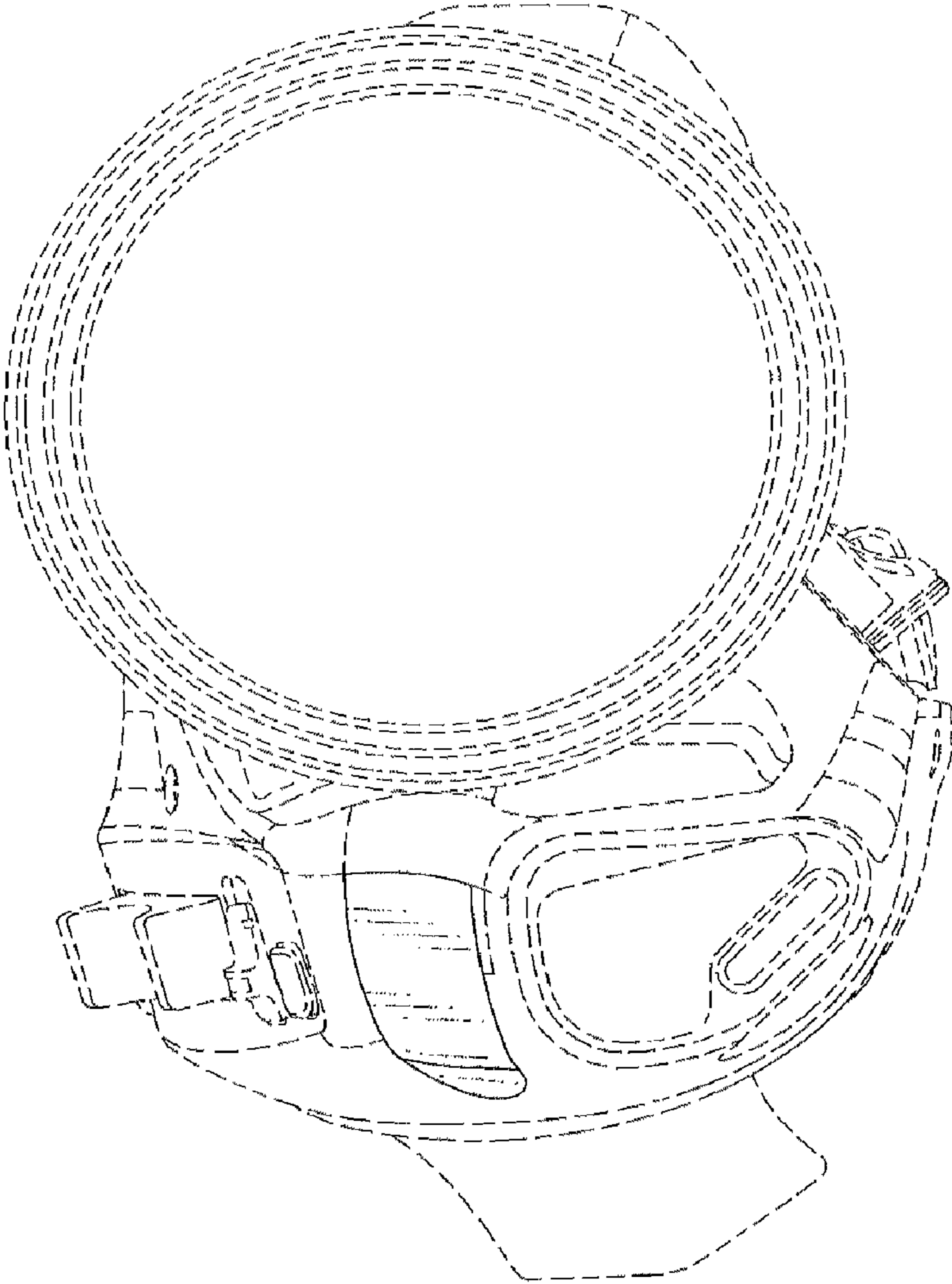


FIG. 3

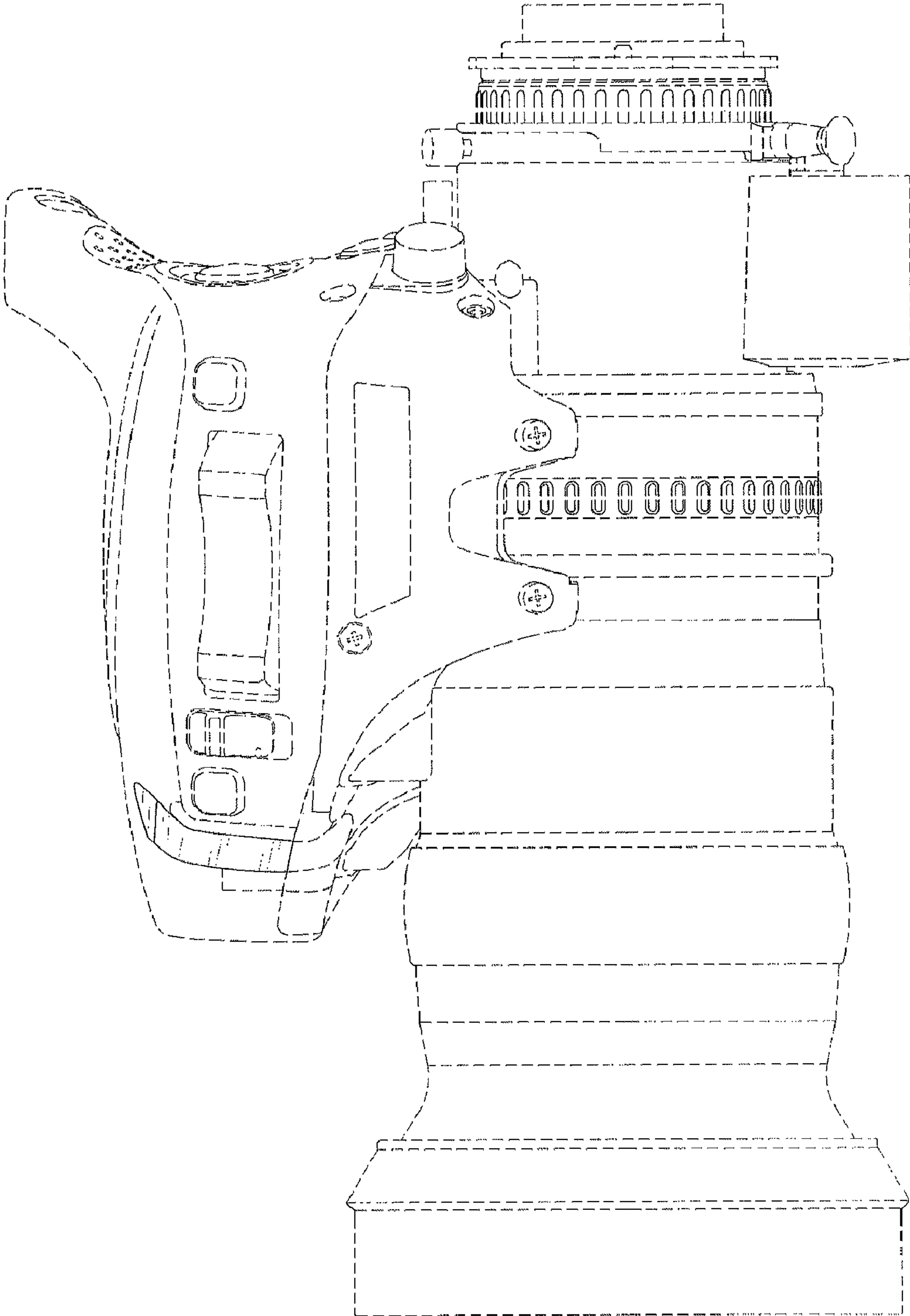


FIG.4

