



US00D665832S

(12) **United States Design Patent**
Nguyen

(10) **Patent No.:** **US D665,832 S**

(45) **Date of Patent:** **** Aug. 21, 2012**

(54) **PUNCH AND DIE SET**

(76) Inventor: **Loc H. Nguyen**, Fort Worth, TX (US)

(**) Term: **14 Years**

(21) Appl. No.: **29/411,281**

(22) Filed: **Jan. 19, 2012**

(51) **LOC (9) Cl.** **15-09**

(52) **U.S. Cl.** **D15/128**

(58) **Field of Classification Search** D8/98;
D15/128; D19/65, 72; 29/240, 256, 264;
30/366, 367; 279/96, 100, 101, 102; 403/16
See application file for complete search history.

(56) **References Cited**

U.S. PATENT DOCUMENTS

199,715	A *	1/1878	Jenkins	83/688
3,763,730	A *	10/1973	Ahlegian	83/521
3,944,373	A *	3/1976	Farjon et al.	402/1
D239,770	S *	5/1976	Jenkins	D19/72
D264,856	S *	6/1982	Nottingham et al.	D21/403
D273,121	S *	3/1984	Rawson	D18/15
4,762,043	A *	8/1988	Sneed	83/688
5,017,157	A *	5/1991	Liu et al.	439/607.18
D397,725	S *	9/1998	Mori	D19/72
D458,308	S *	6/2002	Hsuan	D19/72
D465,526	S *	11/2002	Breche	D19/72
D497,113	S *	10/2004	Kawamura	D10/66
D518,178	S *	3/2006	Christiansen	D24/147
D526,667	S *	8/2006	Sakamoto et al.	D15/128

D592,250	S *	5/2009	Cunningham et al.	D19/72
D615,569	S *	5/2010	Greenleaf	D15/128
2003/0075034	A1 *	4/2003	Brenneke	83/684

* cited by examiner

Primary Examiner — Patricia Palasik

(74) *Attorney, Agent, or Firm* — Dan Brown Law Office;
Daniel R. Brown

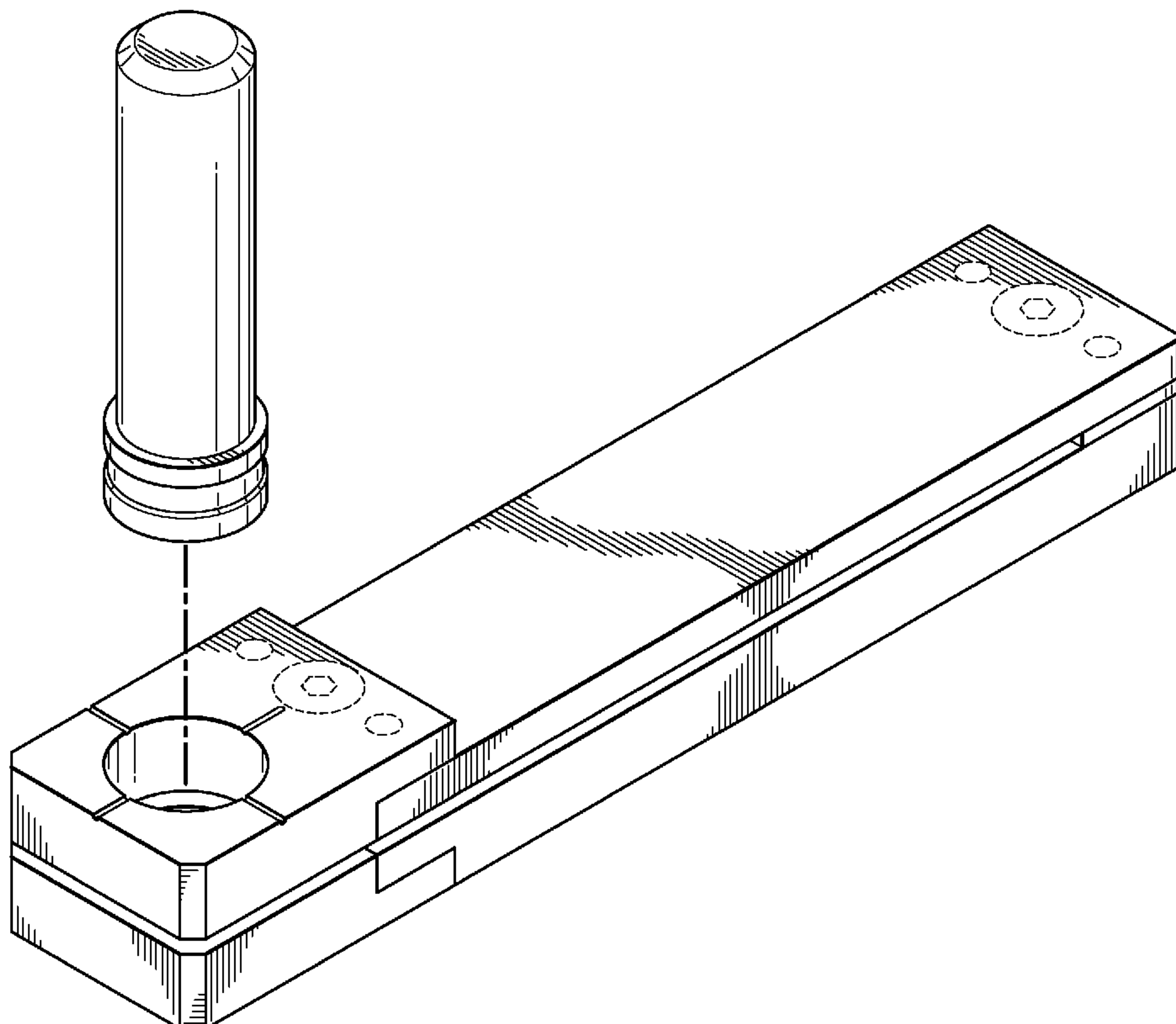
(57) **CLAIM**

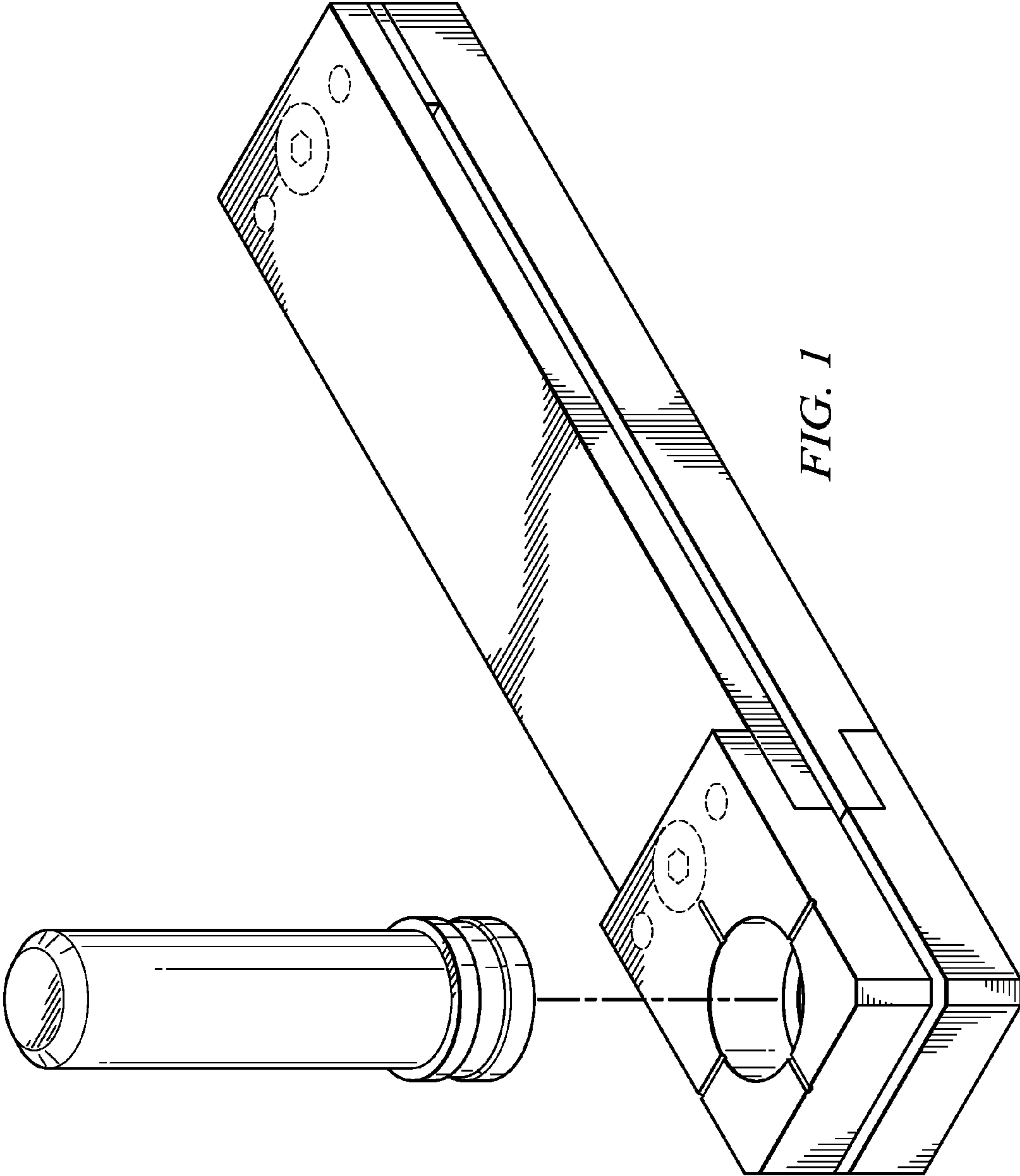
The ornamental design for a punch and die set, as shown and described.

DESCRIPTION

FIG. 1 is a perspective view of a punch and die set. The round die is shown separately for clarity of disclosure;
 FIG. 2 is a side view thereof;
 FIG. 3 is a front view thereof;
 FIG. 4 is a back view thereof;
 FIG. 5 is a top view thereof;
 FIG. 6 is a bottom view thereof;
 FIG. 7 is a perspective view of a punch and die set, The “D” shaped die is shown separately for clarity of disclosure;
 FIG. 8 is a side view thereof;
 FIG. 9 is a front view thereof;
 FIG. 10 is a back view thereof;
 FIG. 11 is a top view thereof; and,
 FIG. 12 is a bottom view thereof.
 The broken lines in the Figures are for illustrative purposes only and form no part of the claimed design.

1 Claim, 8 Drawing Sheets





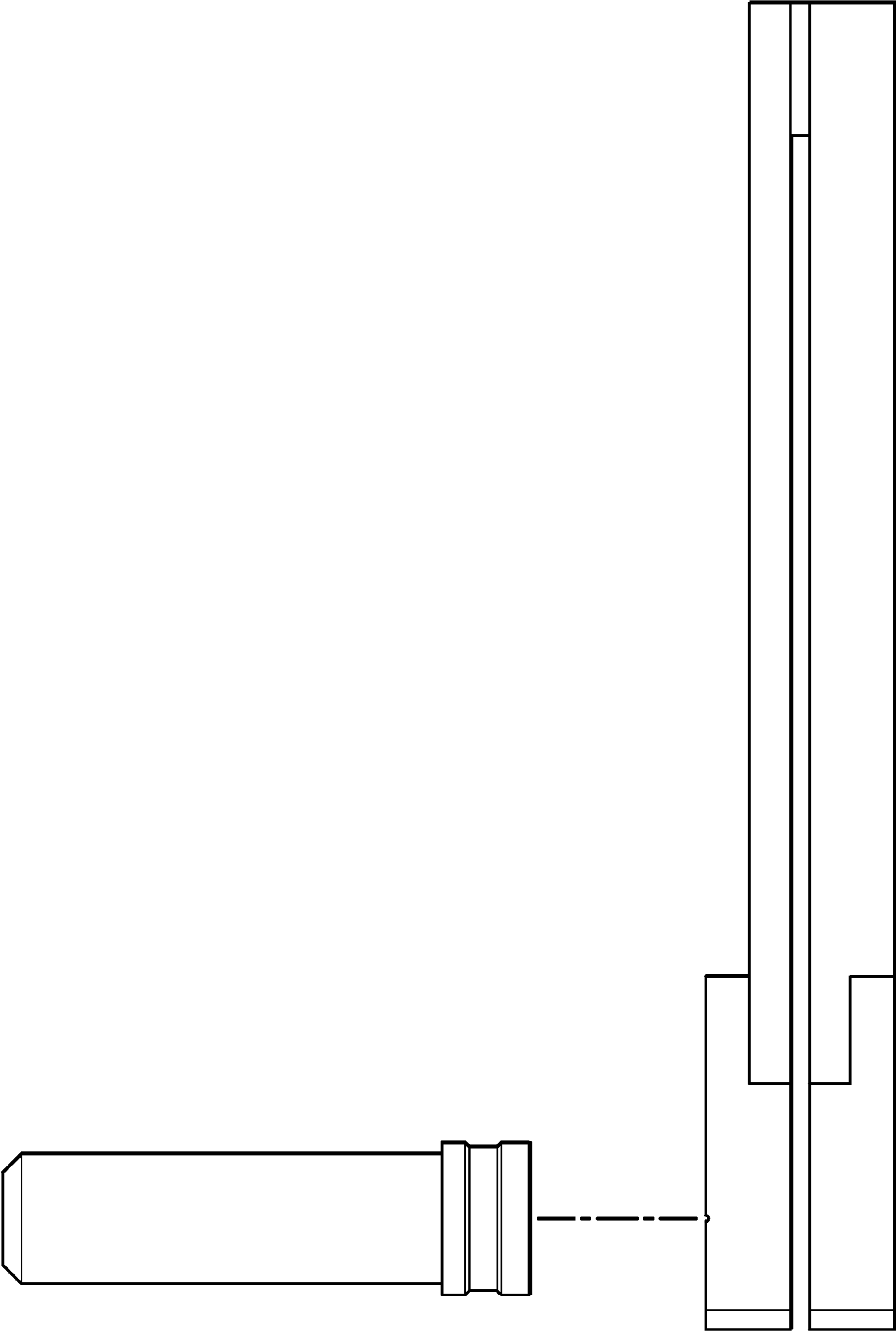


FIG. 2

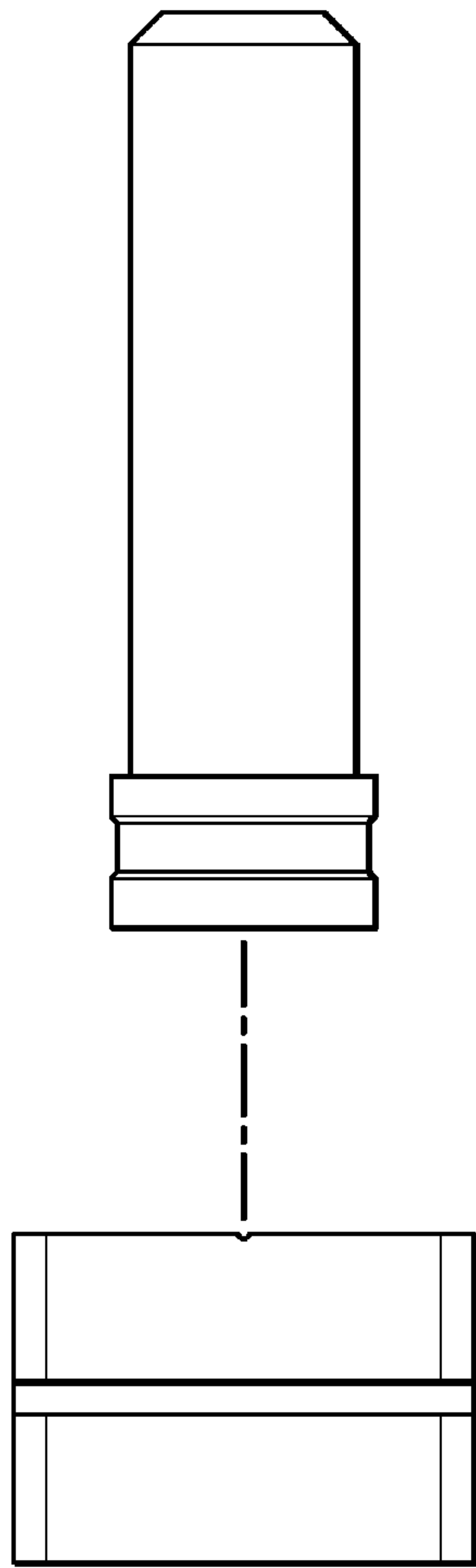


FIG. 3

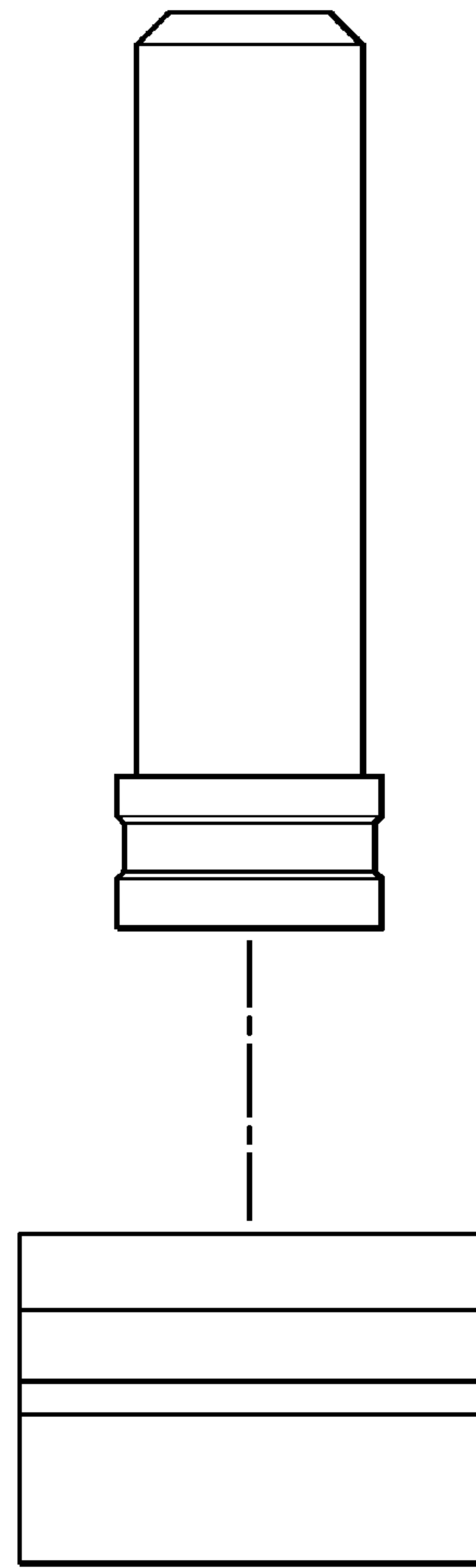


FIG 4

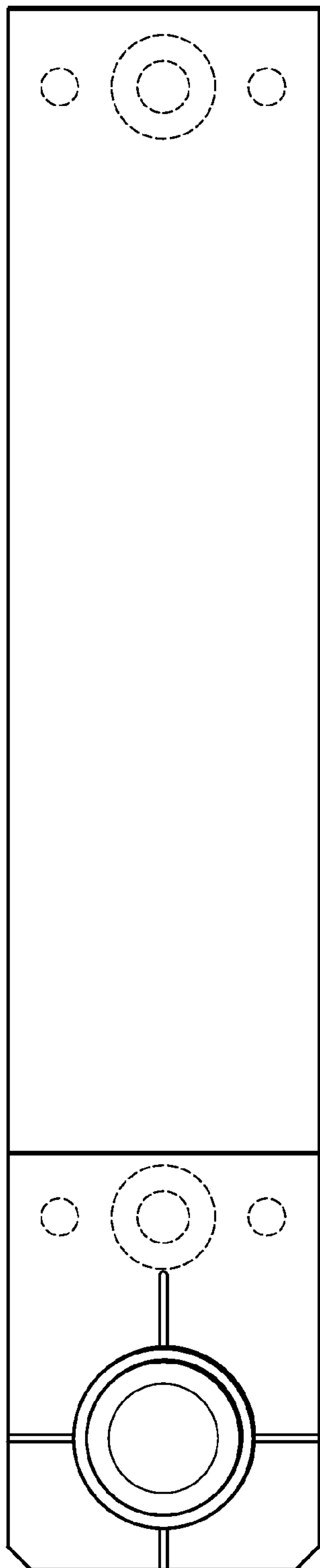
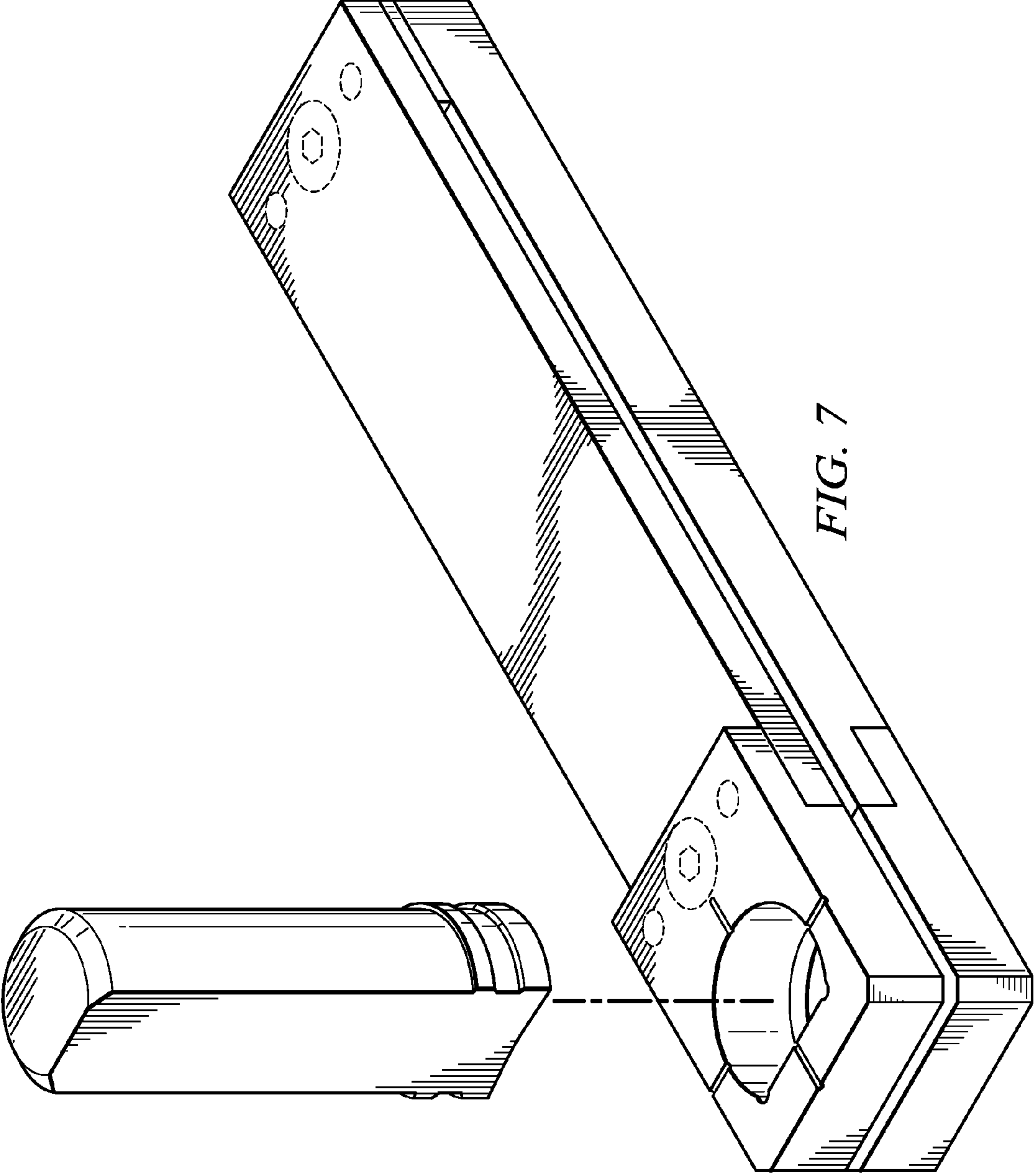


FIG. 5



FIG. 6



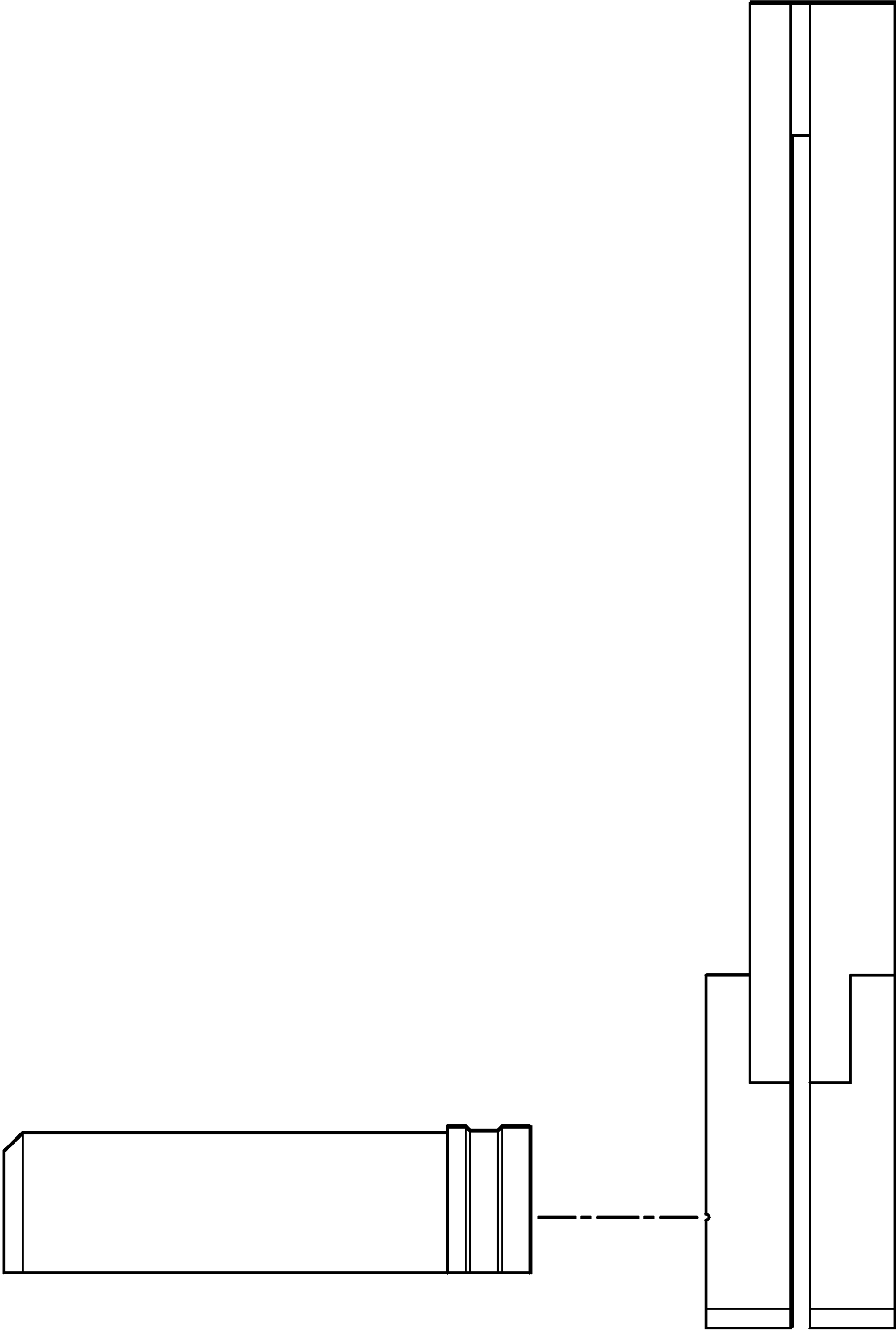


FIG. 8

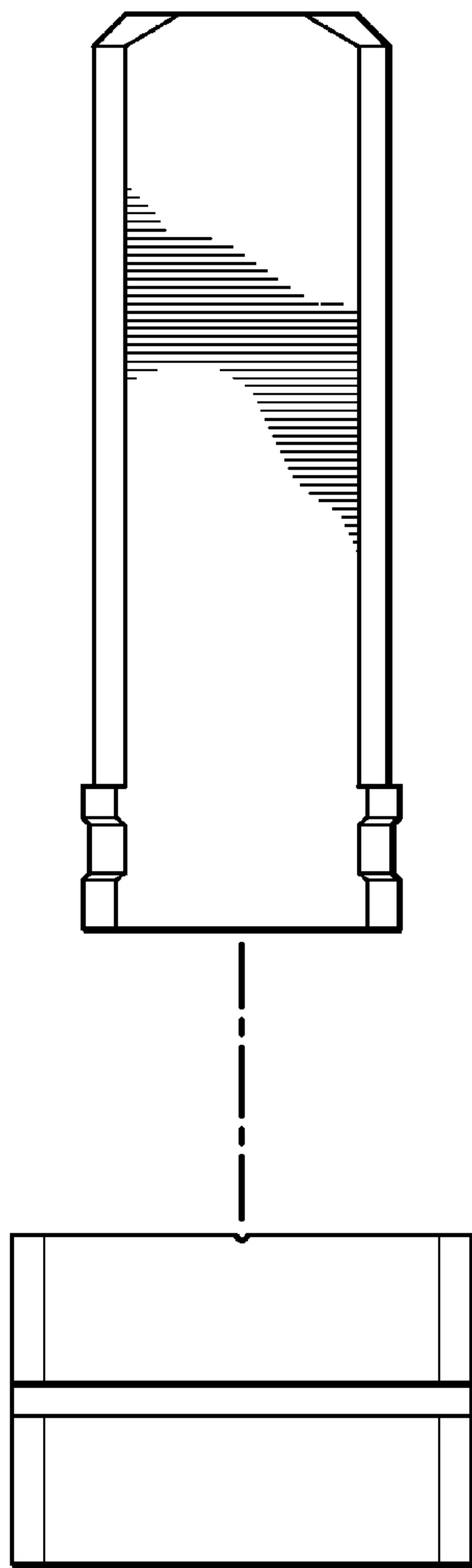


FIG. 9

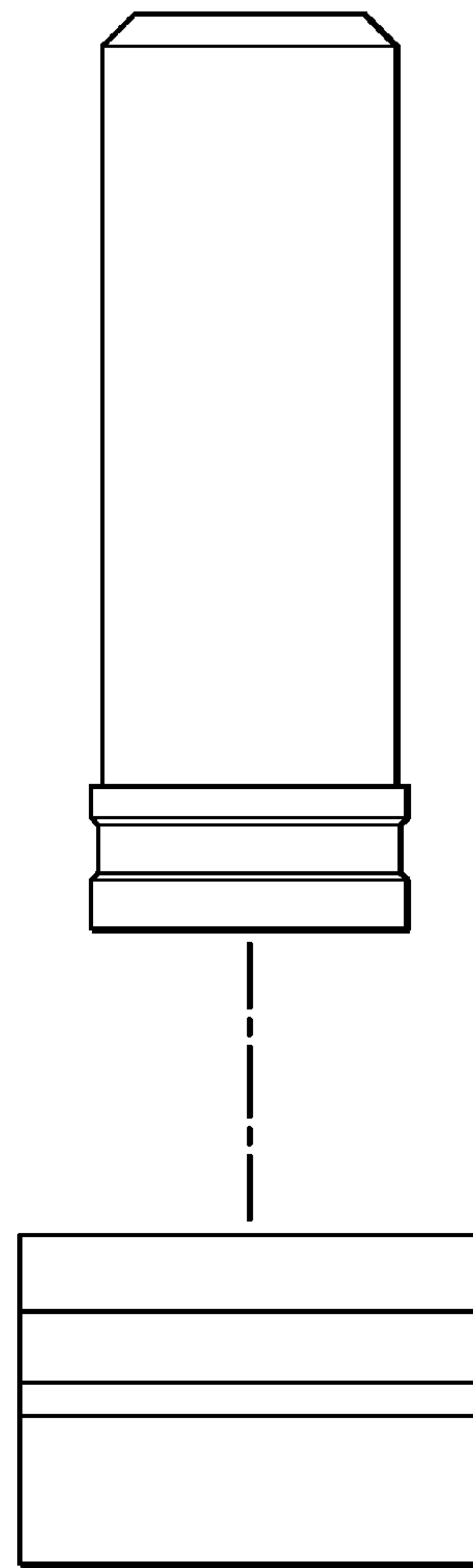


FIG 10

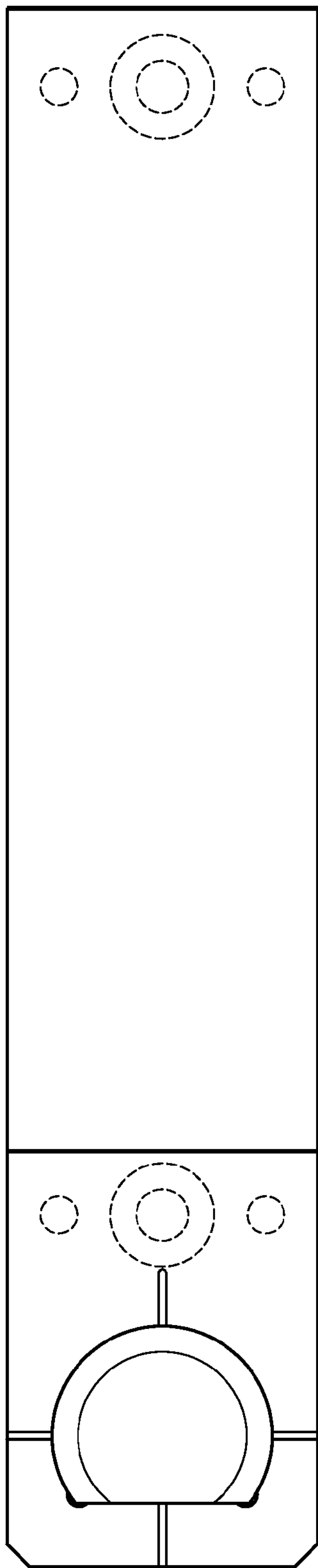


FIG. 11



FIG. 12