

US00D665831S

(12) **United States Design Patent**  
**Harder**

(10) **Patent No.:** **US D665,831 S**

(45) **Date of Patent:** **\*\* Aug. 21, 2012**

(54) **MACHINE FRAME WITH CROSS MEMBERS AND SIDE MEMBERS FOR SLICERS**

(75) Inventor: **Andreas Harder**, Marburg (DE)

(73) Assignee: **Weber Maschinebau GmbH Breidenbach**, Breidenbach (DE)

(\*\*) Term: **14 Years**

(21) Appl. No.: **29/412,642**

(22) Filed: **Feb. 6, 2012**

(30) **Foreign Application Priority Data**

Aug. 5, 2011 (EM) ..... 001288187-0017

(51) **LOC (9) Cl.** ..... **15-09**

(52) **U.S. Cl.** ..... **D15/127**

(58) **Field of Classification Search** ..... D6/465, D6/479, 510; D15/122, 127, 140; D21/669, D21/688, 691, 694; D34/12; 53/203, 266.1, 53/285, 558; 100/4, 8, 25, 26, 29, 32  
See application file for complete search history.

(56) **References Cited**

**U.S. PATENT DOCUMENTS**

4,204,391	A *	5/1980	Clayton et al.	57/1 R
D265,575	S *	7/1982	Lunford	D21/691
D301,361	S *	5/1989	Harlan	D21/691
D314,102	S *	1/1991	Yau Kee	D6/465
5,044,632	A *	9/1991	Jones	482/138
D420,073	S *	2/2000	Alessandri	D21/694

6,174,034	B1 *	1/2001	Benner et al.	312/265.4
D437,371	S *	2/2001	Webber et al.	D21/694
D480,773	S *	10/2003	Suchanek et al.	D21/694
D526,692	S *	8/2006	Ayton	D21/686
D567,271	S *	4/2008	Vine	D15/145
7,478,890	B2 *	1/2009	Hudz et al.	312/265.4
D610,847	S *	3/2010	Birsel et al.	D6/510
D613,353	S *	4/2010	Bulva et al.	D21/694
2010/0257758	A1 *	10/2010	Bengtsson et al.	37/411

\* cited by examiner

*Primary Examiner* — Patricia Palasik

(74) *Attorney, Agent, or Firm* — Rader, Fishman & Grauer, PLLC

(57) **CLAIM**

The ornamental design for a machine frame with cross members and side members for slicers, as shown and described.

**DESCRIPTION**

FIG. 1 shows a perspective view of the front, left top side of the design,

FIG. 2 shows an elevation view of the bottom side of the design,

FIG. 3 shows an elevation view of the front side of the design,

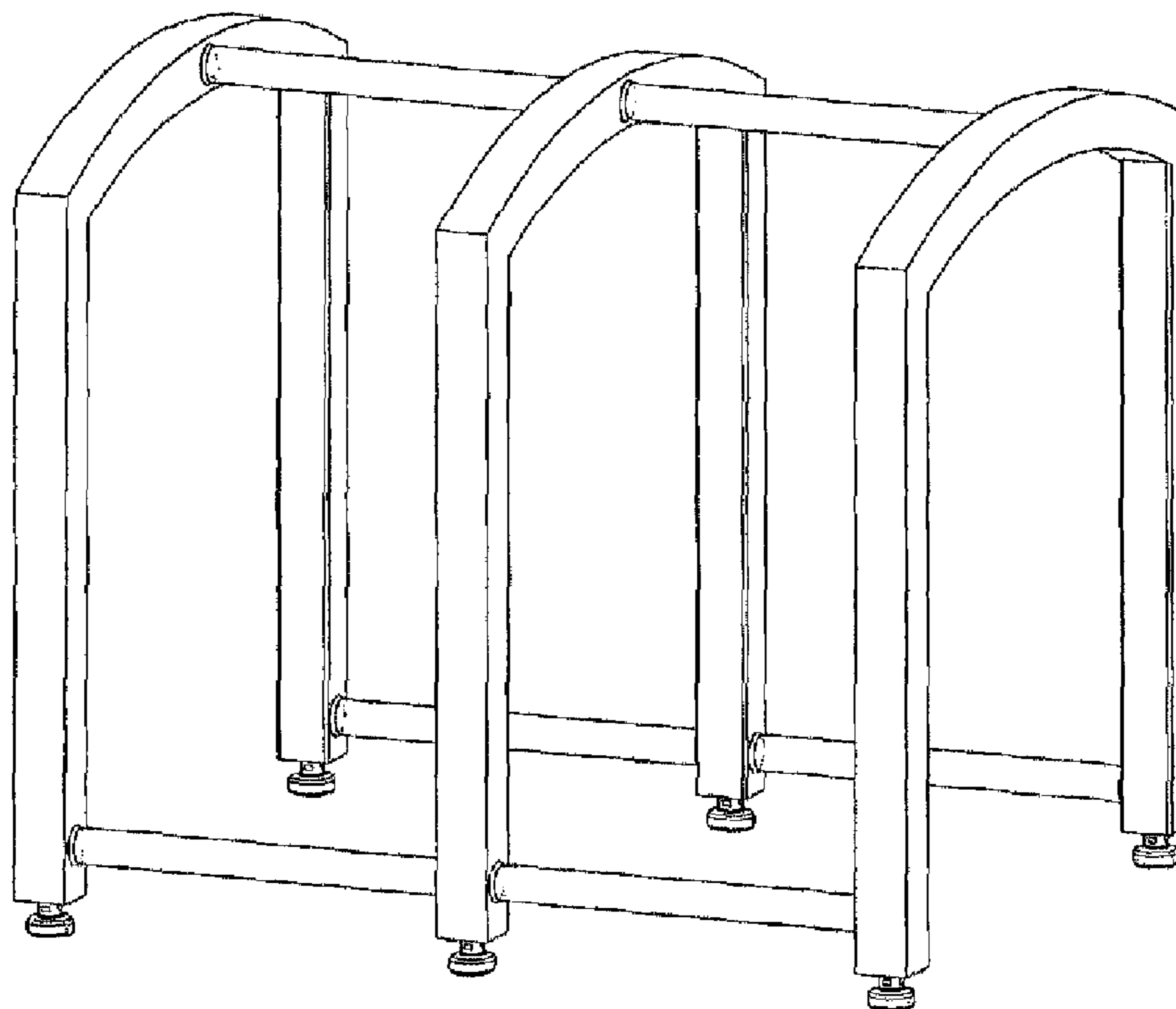
FIG. 4 shows an elevation view of the left side of the design,

FIG. 5 shows an elevation view of the rear side of the design,

FIG. 6 shows an elevation view of the right side of the design; and,

FIG. 7 shows a plan view of the top side of the design.

**1 Claim, 7 Drawing Sheets**



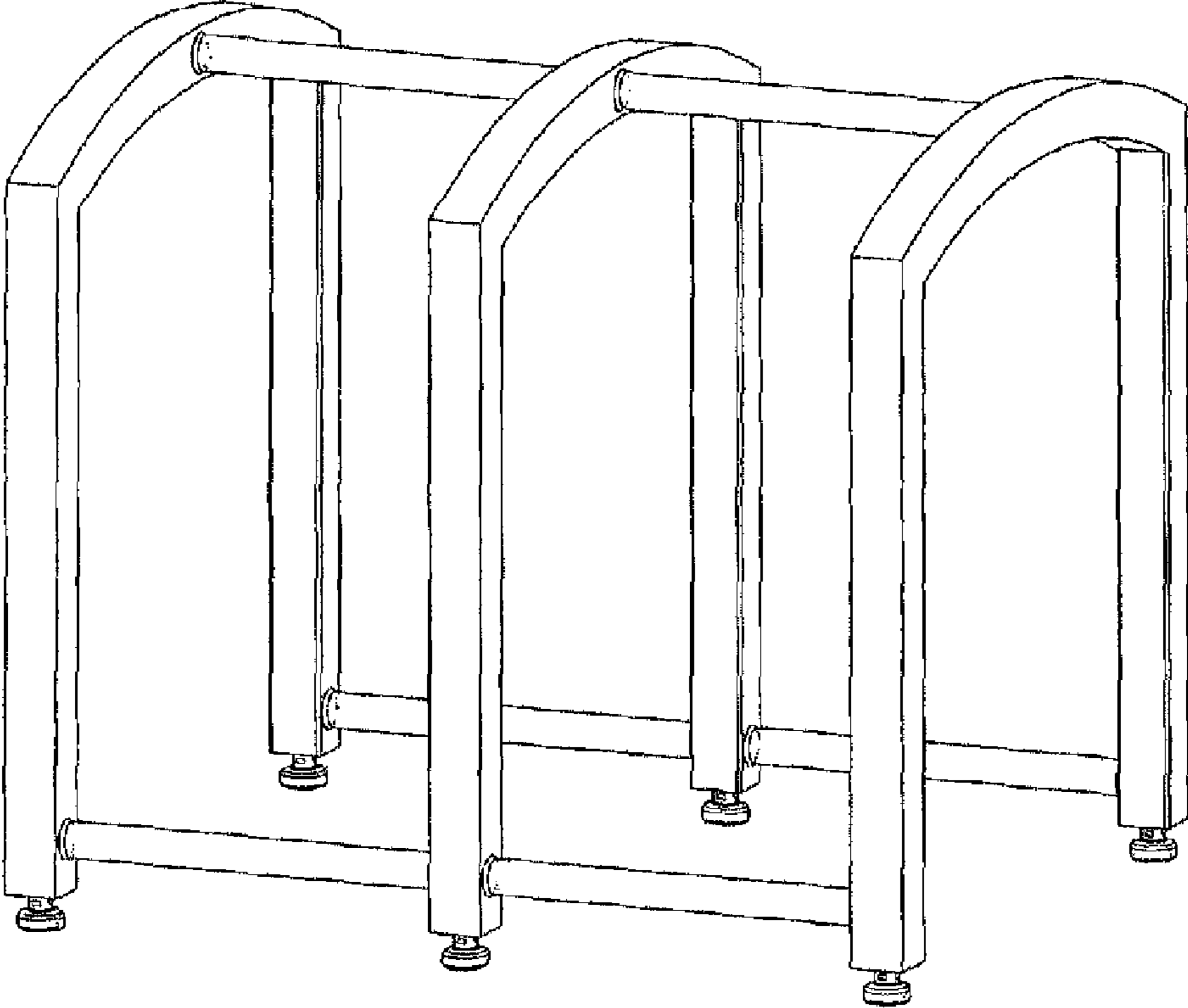


FIG. 1

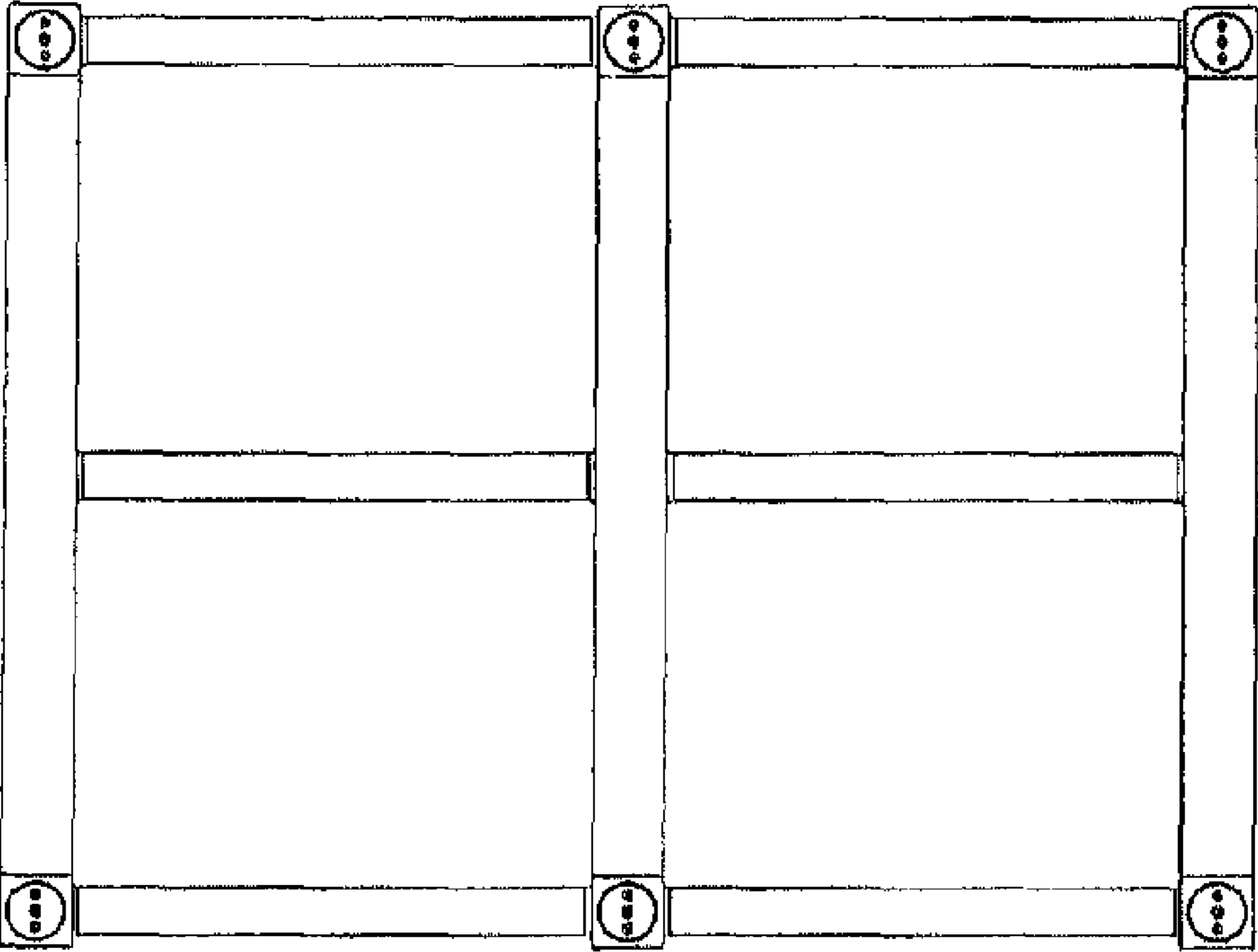


FIG. 2

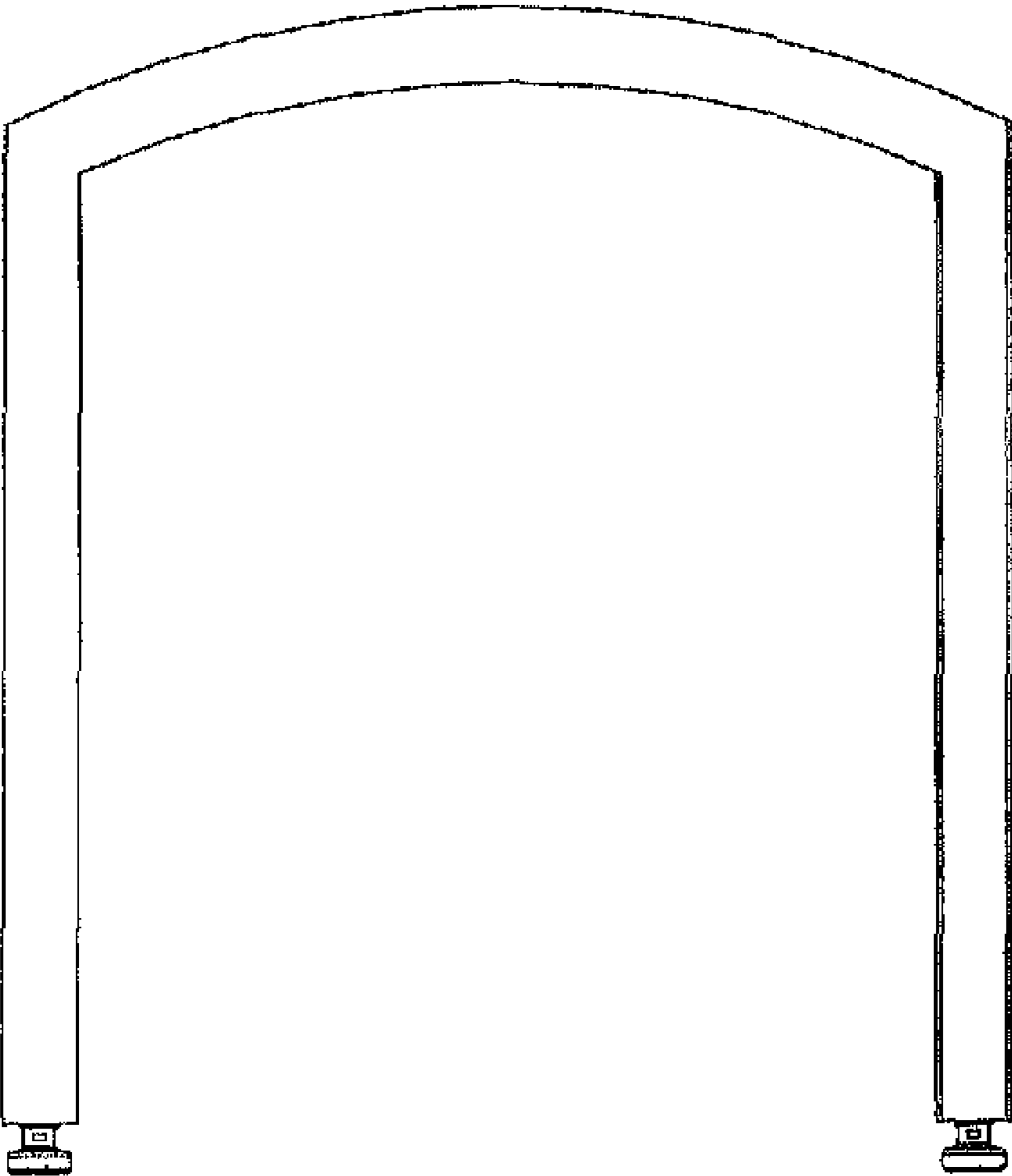


FIG. 3

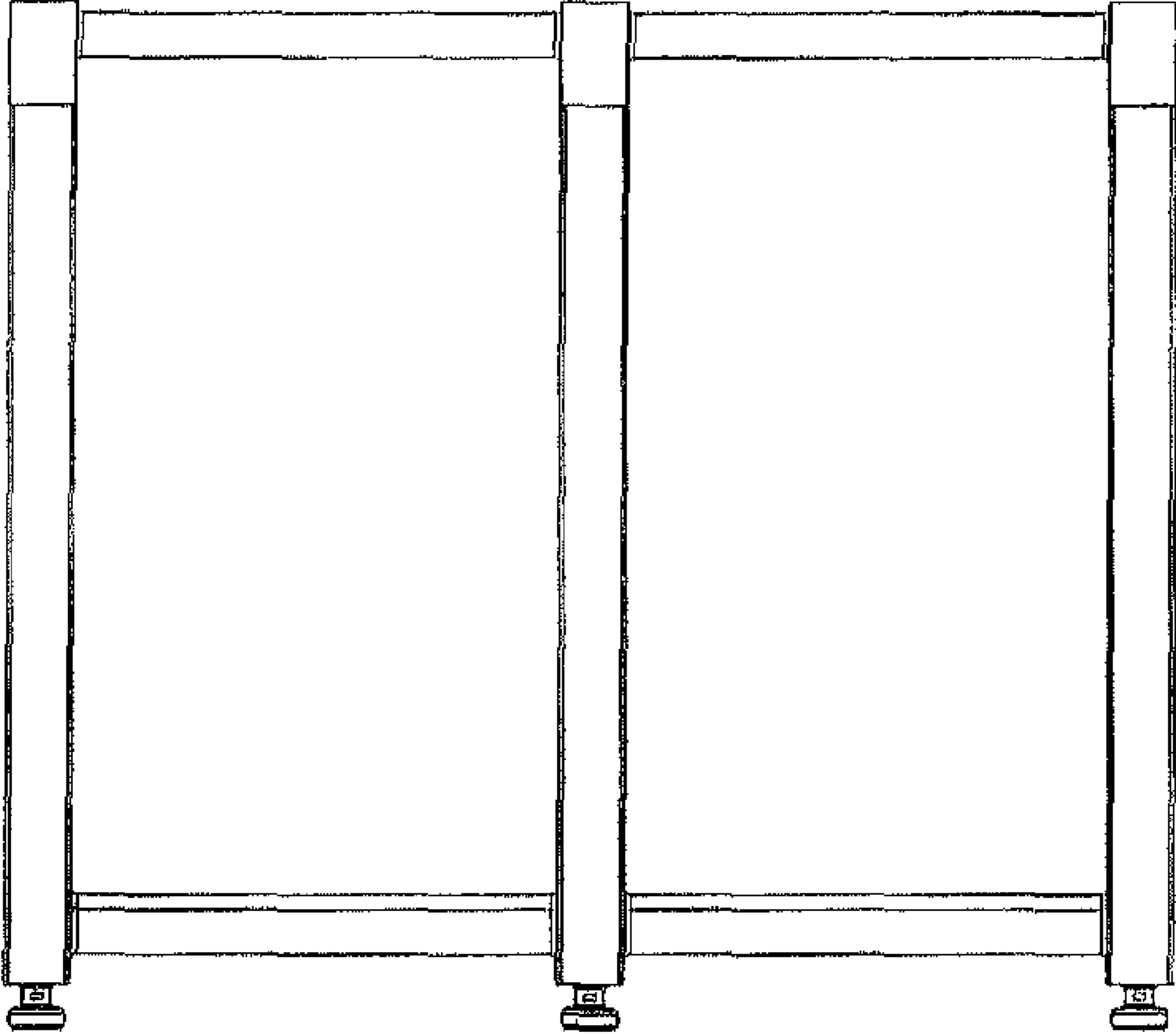


FIG. 4

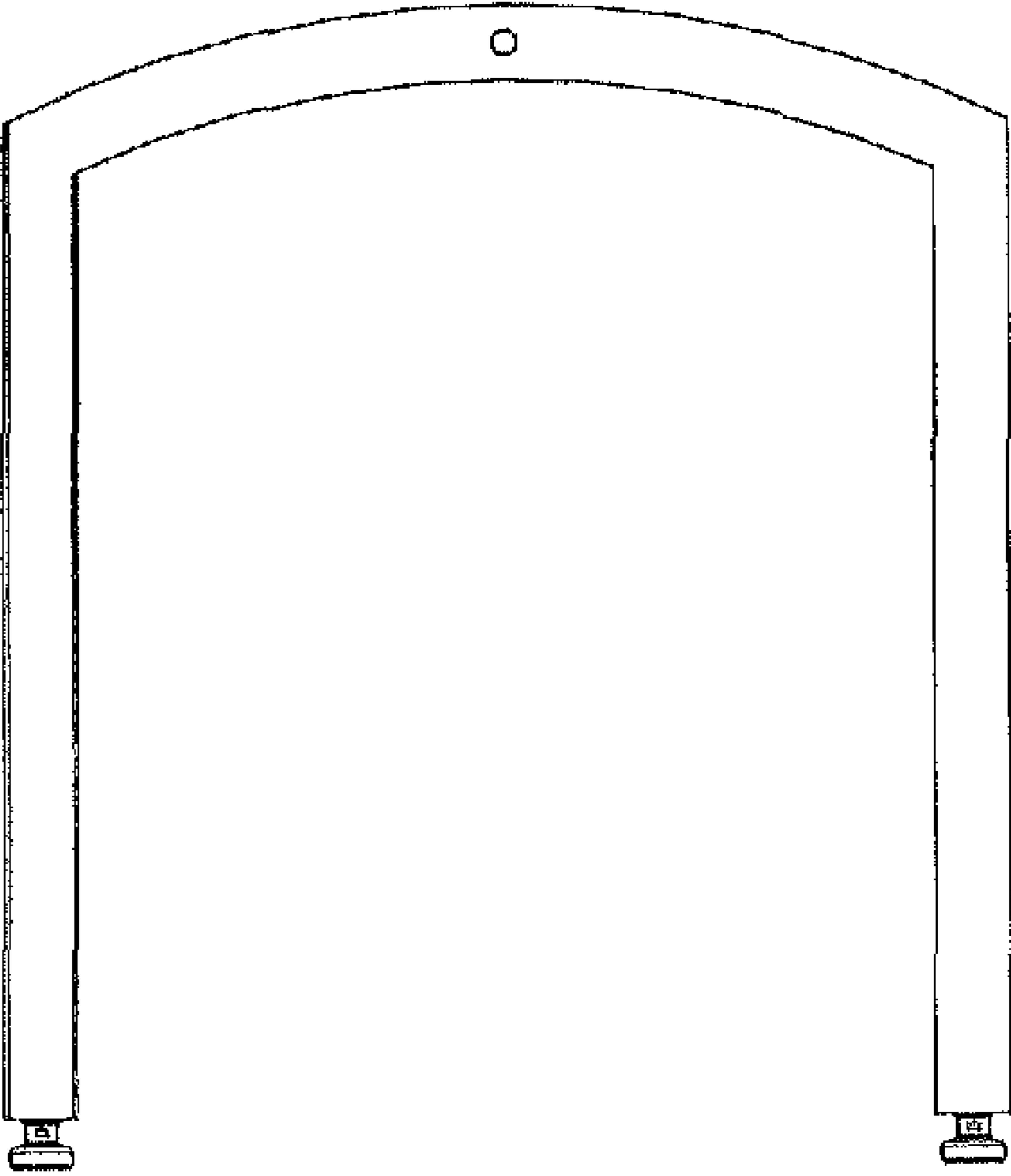


FIG. 5

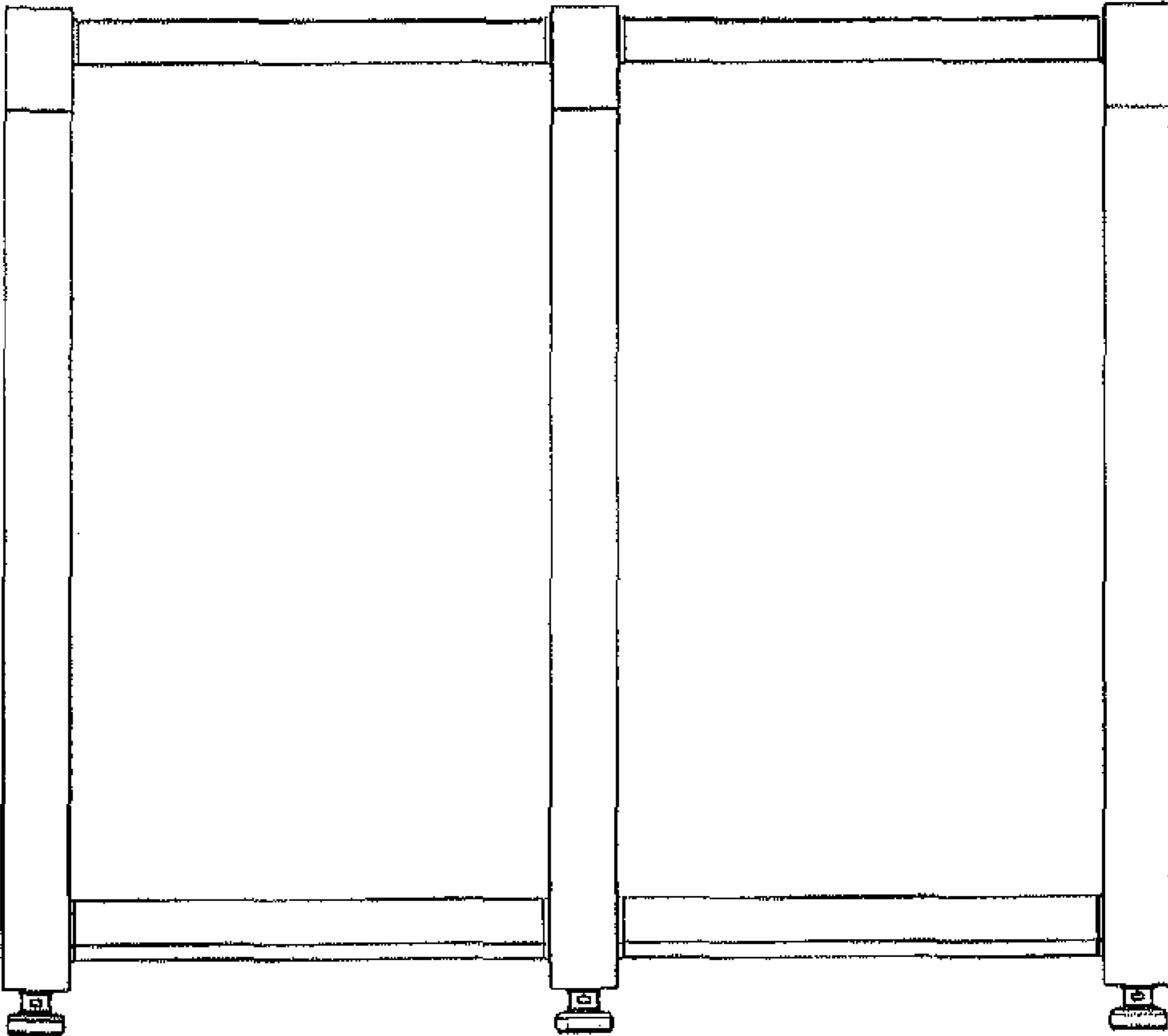


FIG. 6

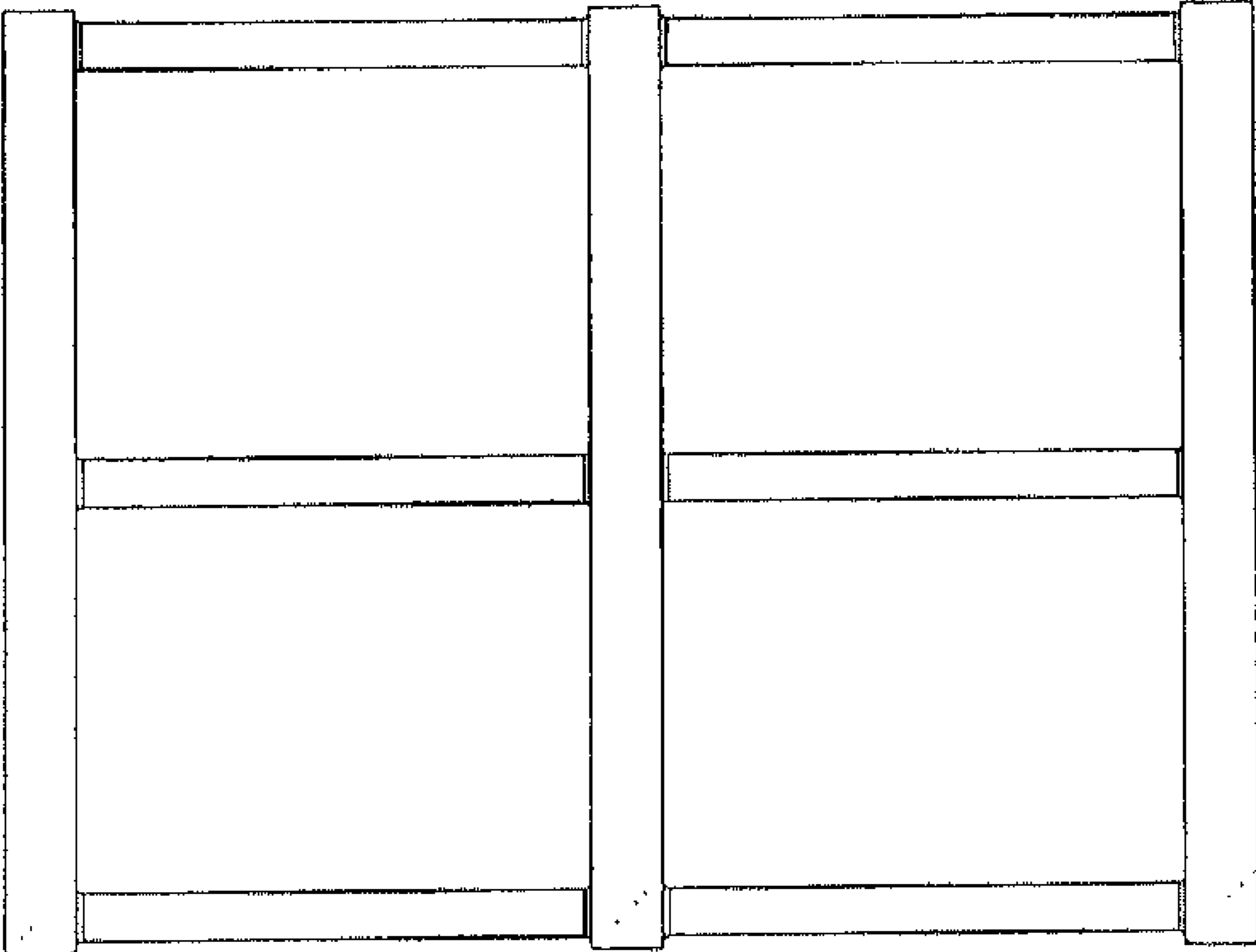


FIG. 7