

US00D665829S

(12) **United States Design Patent**
Mueller

(10) **Patent No.:** **US D665,829 S**

(45) **Date of Patent:** **** Aug. 21, 2012**

(54) **LASER PROCESSING HEAD**

(75) Inventor: **Robert Mueller**, Roth (DE)

(73) Assignee: **Trumpf, Inc.**, Farmington, CT (US)

(**) Term: **14 Years**

(21) Appl. No.: **29/367,798**

(22) Filed: **Aug. 13, 2010**

(51) **LOC (9) Cl.** **15-09**

(52) **U.S. Cl.** **D15/122**

(58) **Field of Classification Search** D15/122,
D15/124, 127, 128, 130, 131, 199; 29/26 R,
29/30, 33 A-33 T, 34 R, 39, 50, 563-566,
29/564.1-564.8; 219/121.6, 121.61, 121.63,
219/121.64, 121.74, 121.84, 121.85, 121.86,
219/121.67-121.72; 483/17-57

See application file for complete search history.

(56) **References Cited**

U.S. PATENT DOCUMENTS

- D319,834 S * 9/1991 Rutschle D15/131
- 5,298,716 A * 3/1994 Ogawa et al. 219/121.67
- D418,528 S * 1/2000 Honjo et al. D15/199
- D419,573 S 1/2000 Kawahara et al.
- D445,807 S * 7/2001 Baulk D15/127
- D464,363 S 10/2002 Saito et al.
- D489,077 S 4/2004 Bloch
- 7,605,342 B2 * 10/2009 Lambert et al. 219/121.67
- D627,375 S * 11/2010 Jacquet et al. D15/122
- 2005/0109745 A1 * 5/2005 Wessner 219/121.84
- 2005/0184038 A1 * 8/2005 Link et al. 219/121.78
- 2006/0169679 A1 * 8/2006 Sato et al. 219/121.64
- 2006/0191883 A1 * 8/2006 Wessner 219/121.84
- 2006/0266740 A1 * 11/2006 Sato et al. 219/121.63
- 2007/0012669 A1 * 1/2007 Mori et al. 219/121.84
- 2007/0145026 A1 * 6/2007 Murase et al. 219/121.84
- 2008/0116184 A1 * 5/2008 Fredrick et al. 219/121.81
- 2009/0001062 A1 * 1/2009 Zeygerman et al. 219/121.78

- 2009/0057283 A1 * 3/2009 Schmauder et al. 219/121.72
- 2009/0181837 A1 * 7/2009 Erlenmaier et al. 483/13
- 2010/0072180 A1 * 3/2010 Schuermann et al. ... 219/121.67

FOREIGN PATENT DOCUMENTS

EA	000974241-0007	7/2008
EM	000974241-0001	7/2008
EM	000974241-0002	7/2008
EM	000974241-0003	7/2008
EM	000974241-0004	7/2008
EM	000974241-0005	7/2008
EM	000974241-0006	7/2008
EM	000974241-0008	7/2008
EM	000974241-0009	7/2008
EM	000974241-0010	7/2008
EM	000974241-0011	7/2008
EM	000974241-0012	7/2008

* cited by examiner

Primary Examiner — Patricia Palasik

(74) *Attorney, Agent, or Firm* — Michael D. Bednarck;
Axinn Veltrop Harkrider LLP

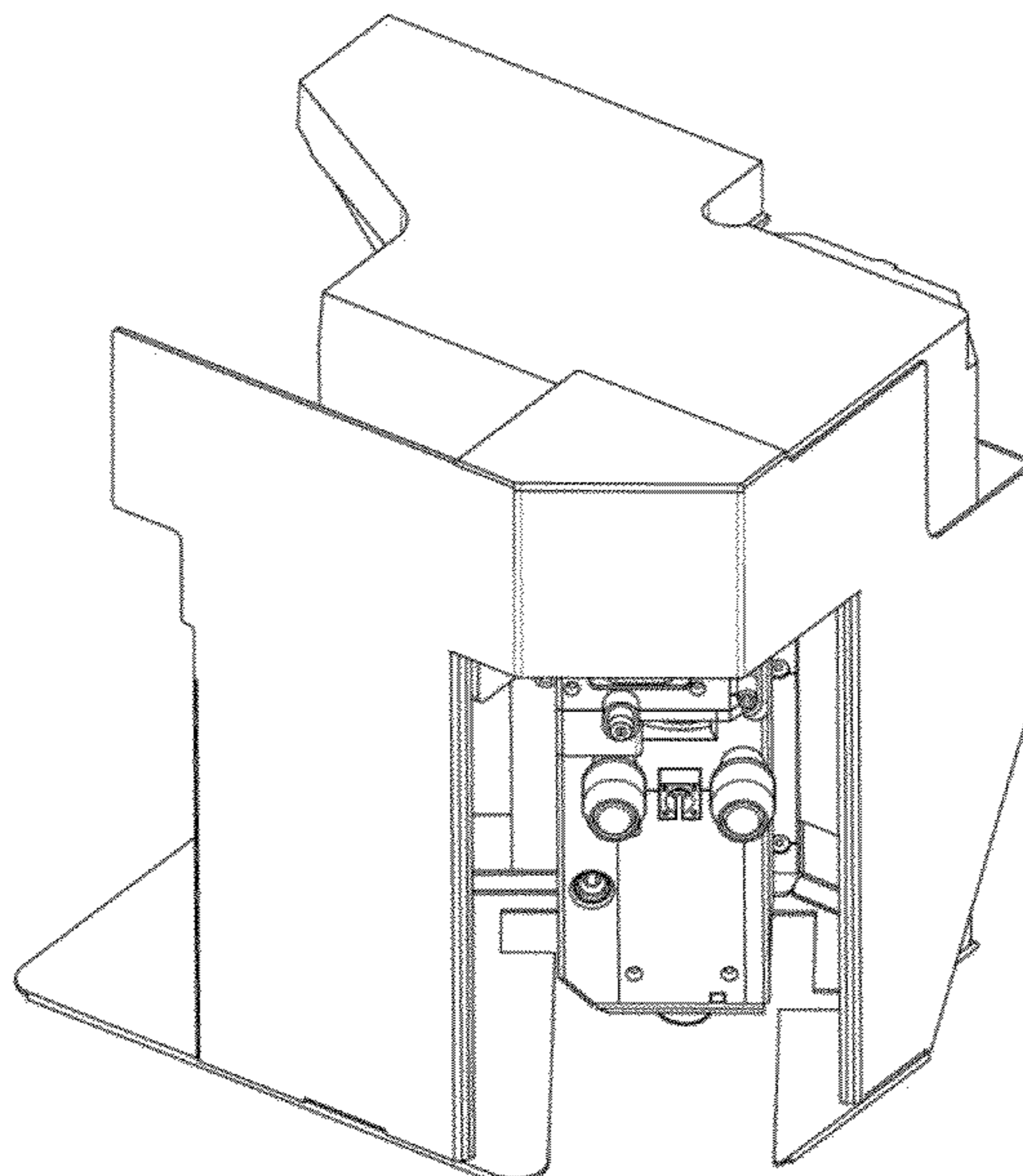
(57) **CLAIM**

The ornamental design for a laser processing head, as shown and described.

DESCRIPTION

FIG. 1 is a front top right perspective view of a laser processing head showing my new design;
 FIG. 2 is a front elevation view thereof;
 FIG. 3 is a rear elevation view thereof;
 FIG. 4 is a left elevation view thereof;
 FIG. 5 is a right elevation view thereof;
 FIG. 6 is a top plan view thereof;
 FIG. 7 is a bottom plan view thereof; and,
 FIG. 8 is a front right elevation view thereof.
 The broken lines in the drawings depict unclaimed environmental subject matter.

1 Claim, 8 Drawing Sheets



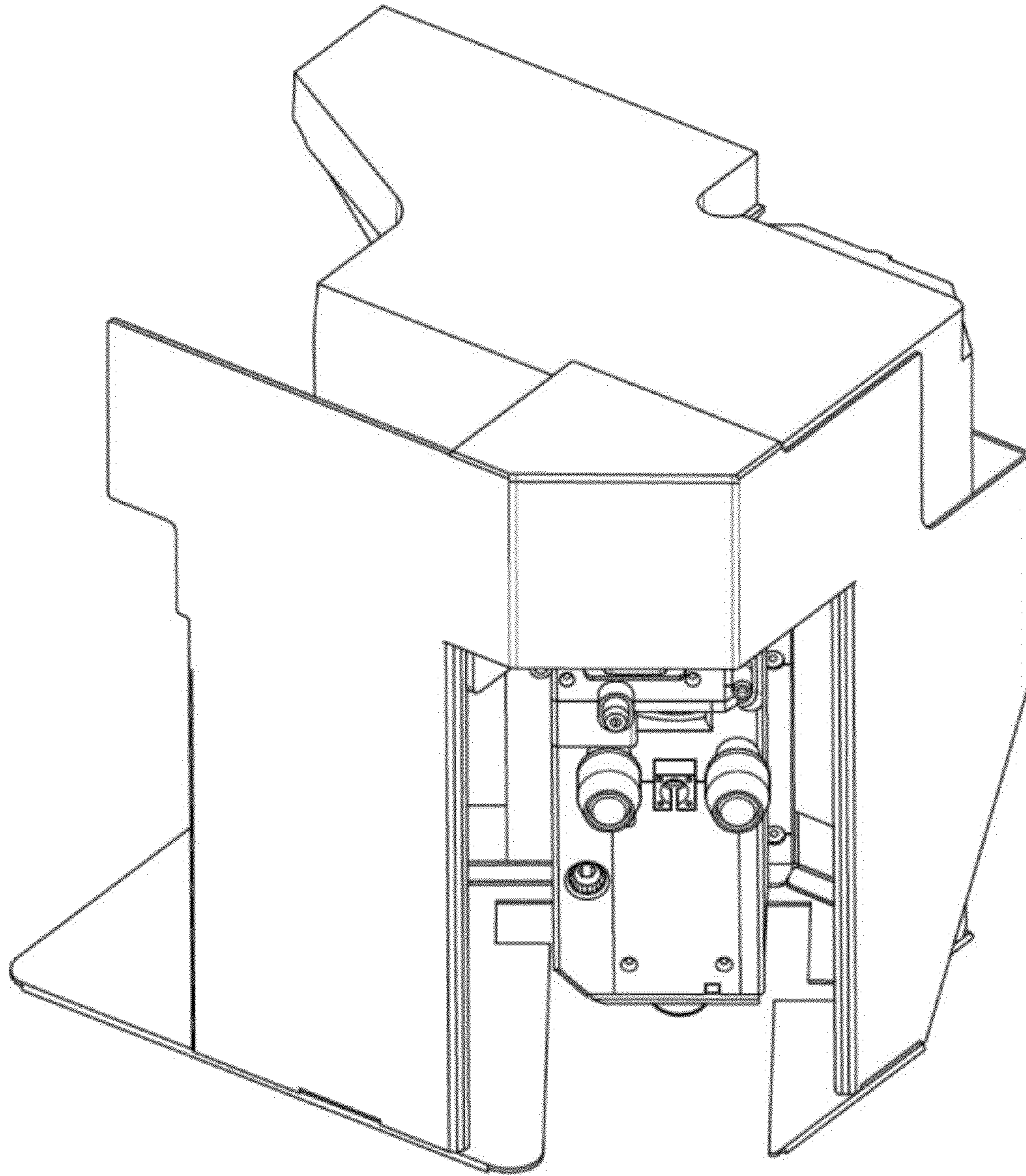


FIGURE 1

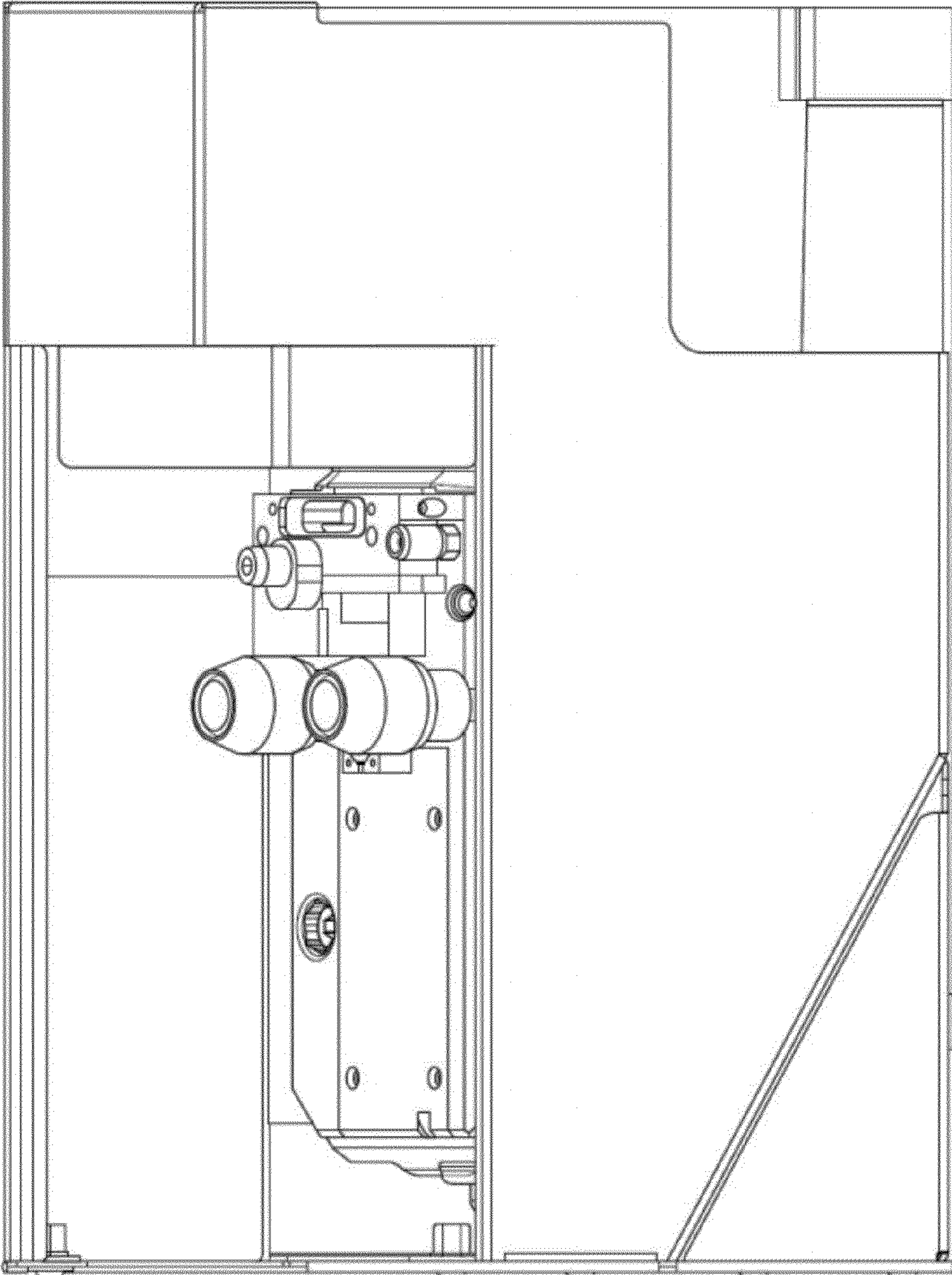


FIGURE 2

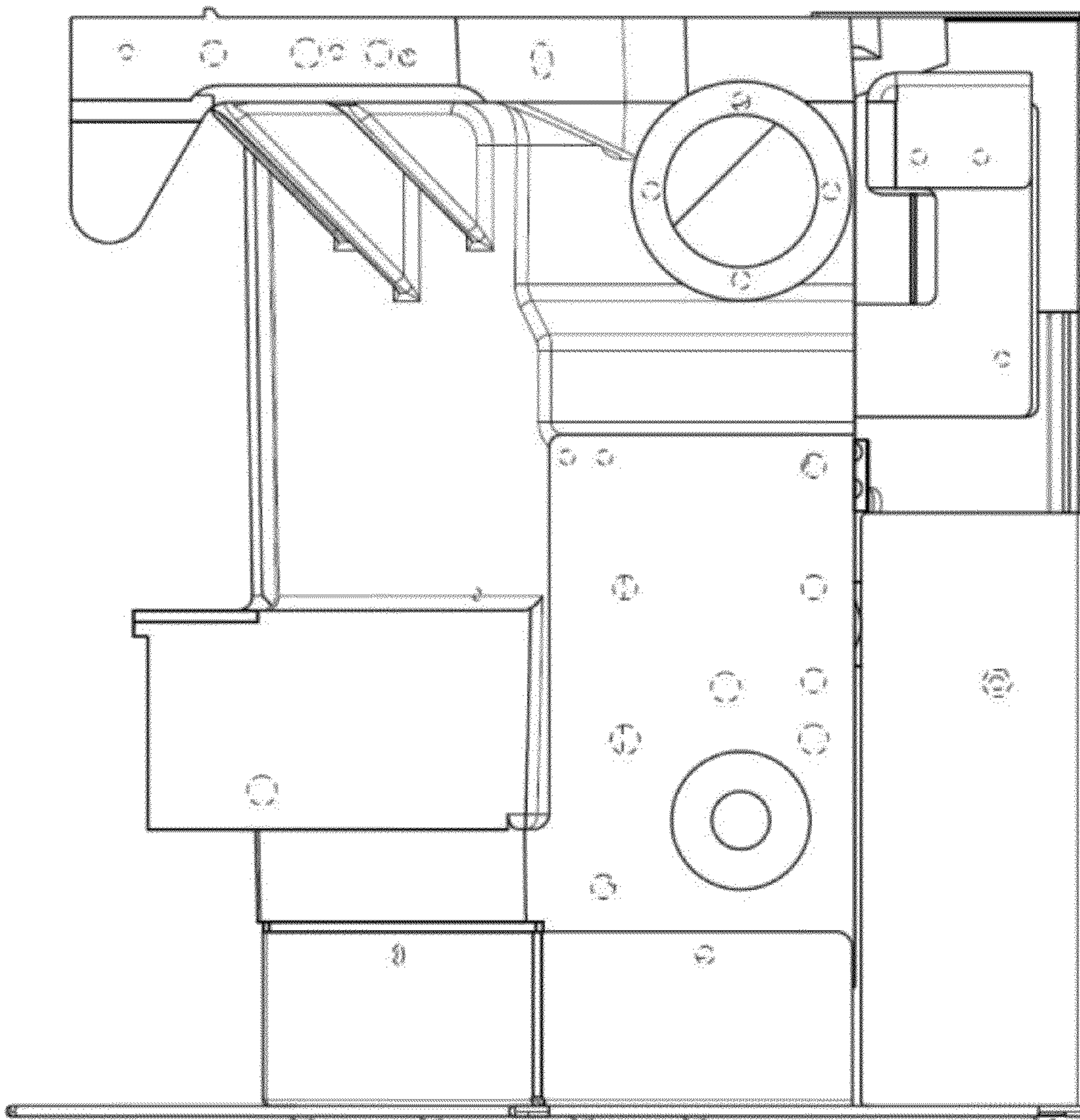


FIGURE 3

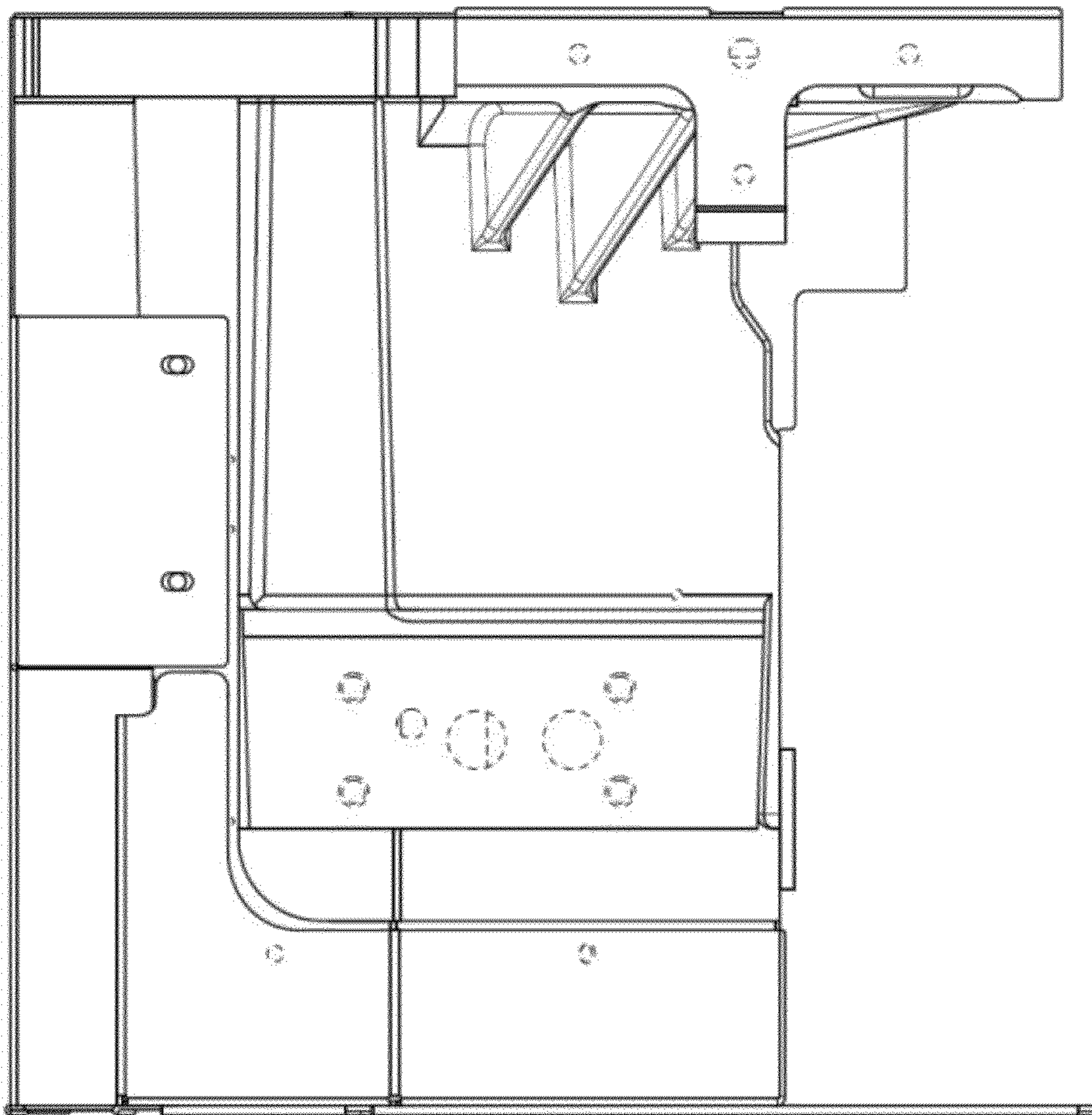


FIGURE 4

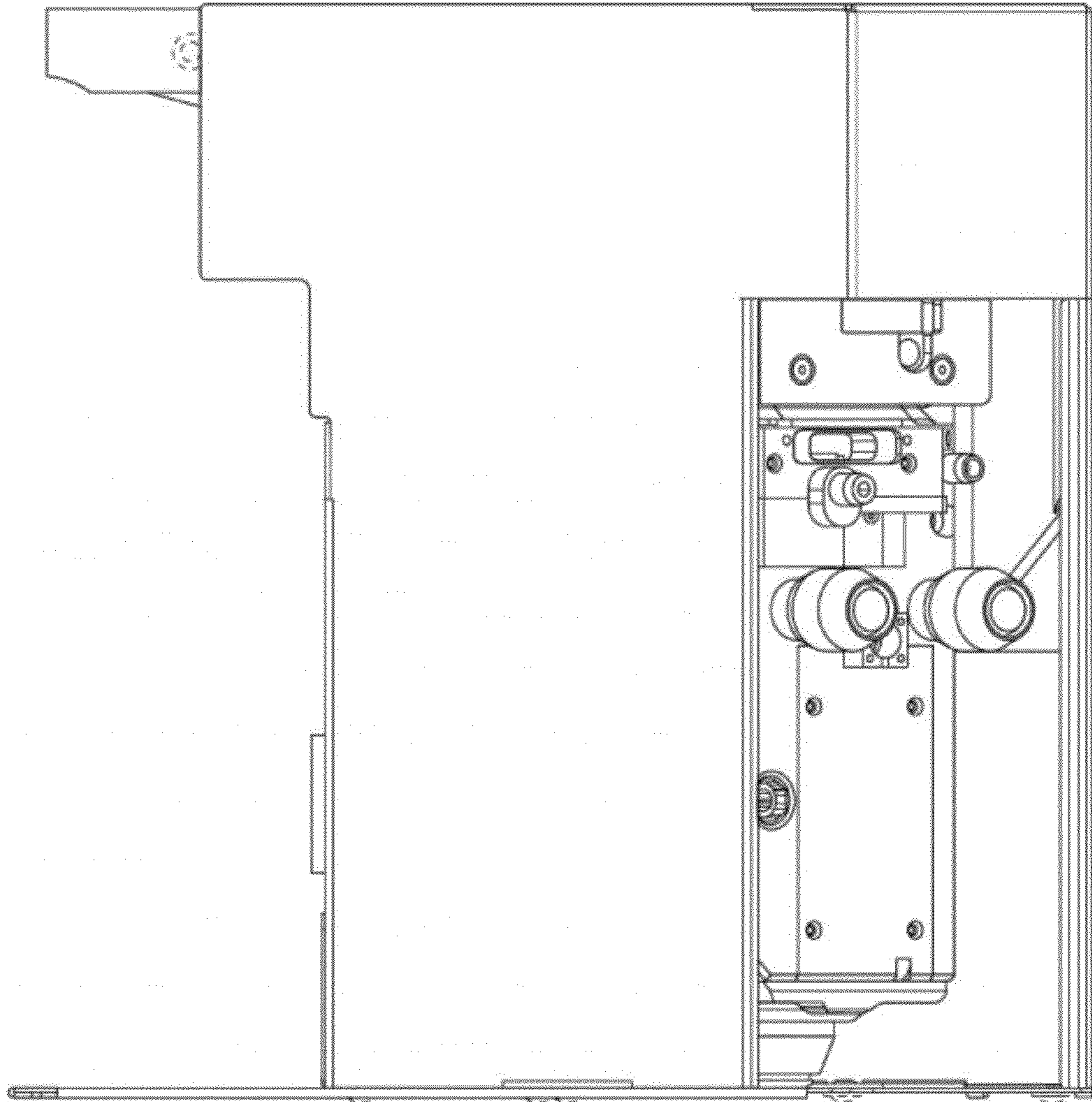


FIGURE 5

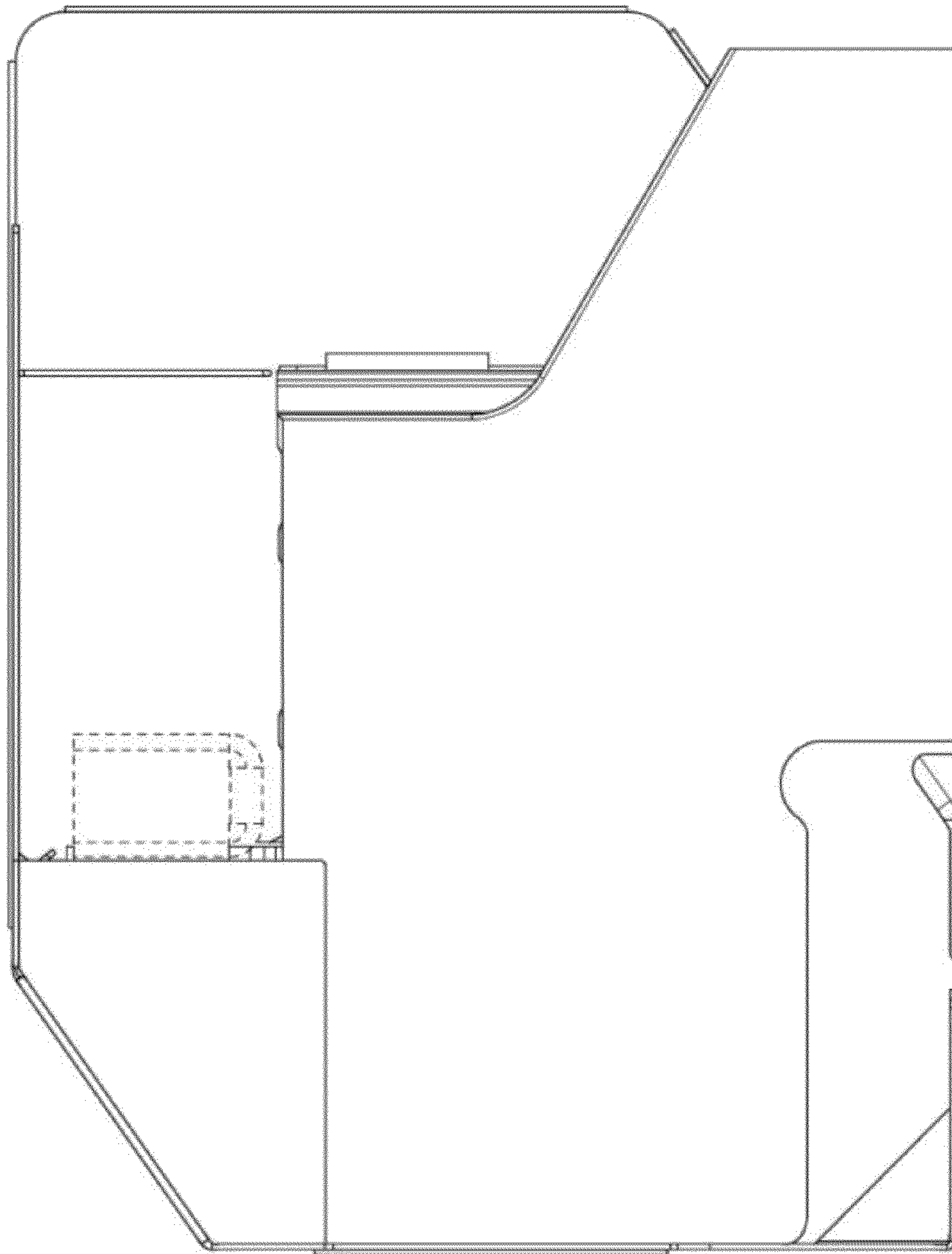


FIGURE 6

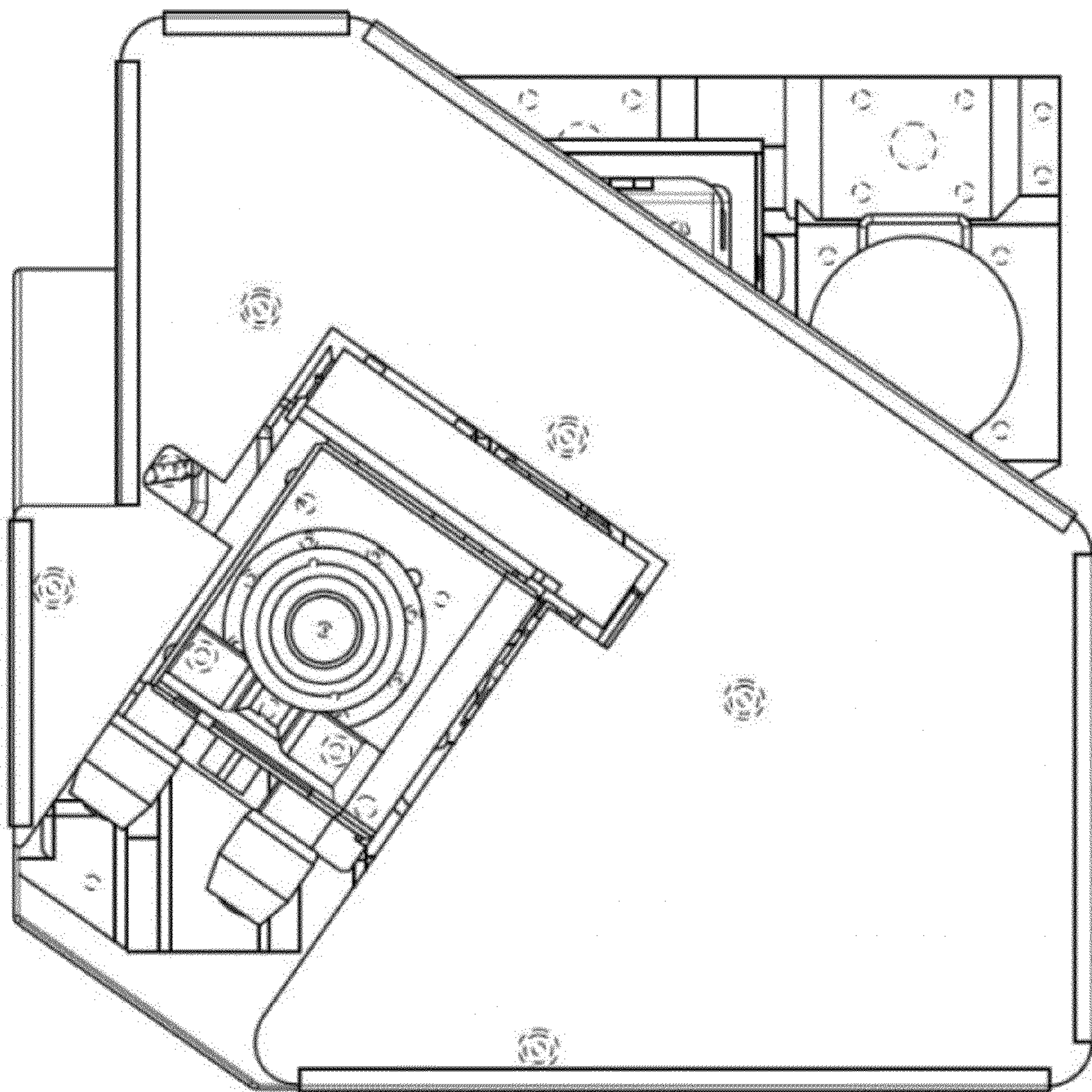


FIGURE 7

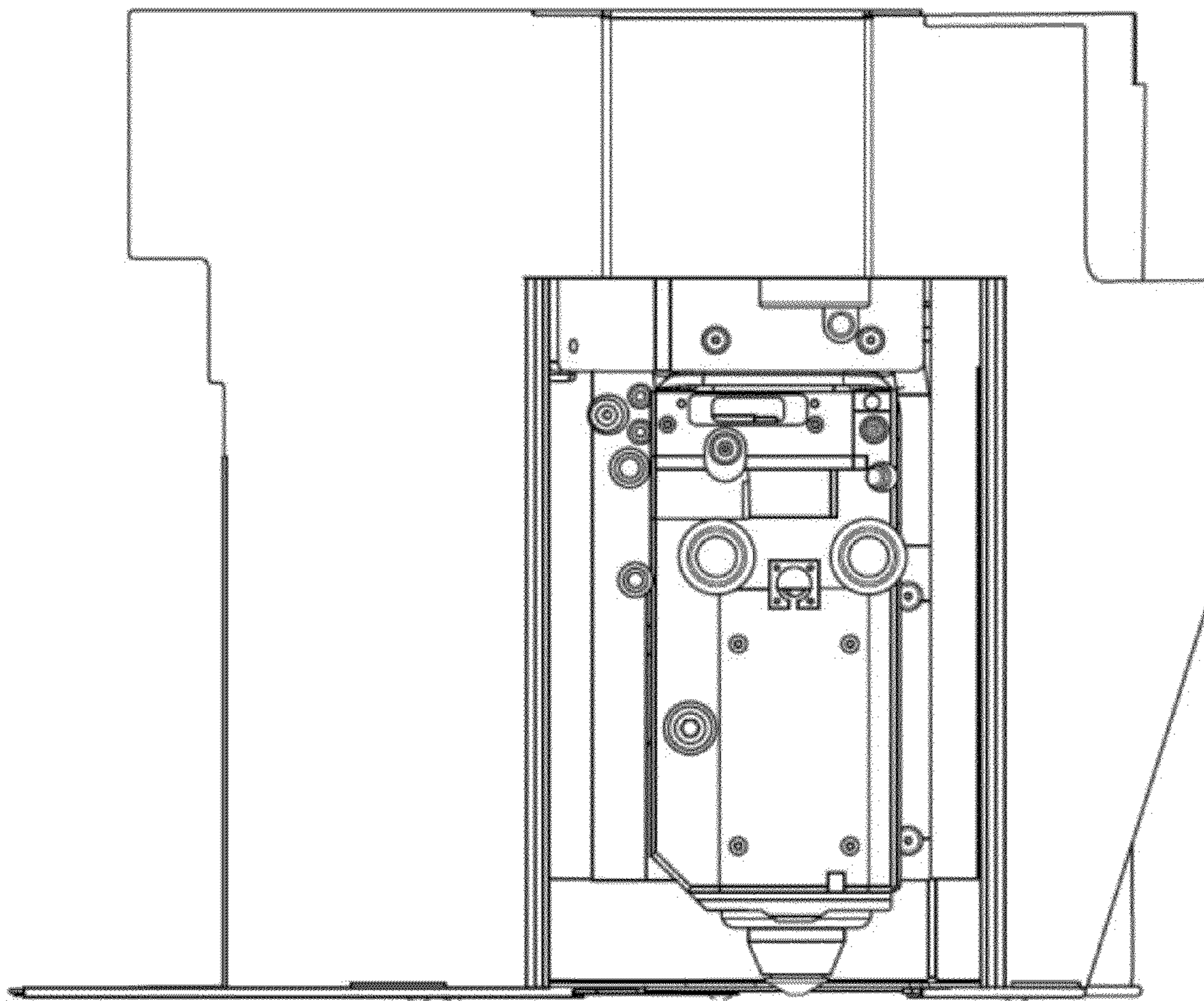


FIGURE 8