



US00D665826S

(12) **United States Design Patent**
Clarke et al.

(10) **Patent No.:** **US D665,826 S**

(45) **Date of Patent:** **** Aug. 21, 2012**

(54) **MASTER LINK UNIT ASSEMBLY**

(75) Inventors: **Donovan S. Clarke**, Hanna City, IL (US); **John M. Plouzek**, Peoria, IL (US); **Laurence J. Cobb**, Peoria, IL (US); **Matthew W. Trone**, Pekin, IL (US)

(73) Assignee: **Caterpillar Inc.**, Peoria, IL (US)

(**) Term: **14 Years**

(21) Appl. No.: **29/364,809**

(22) Filed: **Jun. 29, 2010**

(51) **LOC (9) Cl.** **15-03**

(52) **U.S. Cl.** **D15/28**

(58) **Field of Classification Search** D15/10,
D15/22-26, 28; 59/80, 78, 82, 35.1; 305/185-187,
305/199, 201, 200, 204, 198, 190, 193, 194,
305/195, 196

See application file for complete search history.

(56) **References Cited**

U.S. PATENT DOCUMENTS

800,575	A *	9/1905	Hickey	474/226
2,566,678	A *	9/1951	Riegel et al.	266/97
4,083,611	A *	4/1978	Schaffner et al.	305/186
4,121,875	A *	10/1978	Stedman	305/187
4,222,616	A *	9/1980	Brewer	305/187
4,423,910	A *	1/1984	Narang	305/190
4,449,357	A *	5/1984	Balitch	59/30
4,553,791	A *	11/1985	Blair	305/186
5,183,318	A *	2/1993	Taft et al.	305/185
D338,020	S *	8/1993	Taft	D15/28
5,704,697	A *	1/1998	Ketting et al.	305/193
5,887,958	A *	3/1999	Bissi et al.	305/201
D435,565	S *	12/2000	Barani	D15/28
6,322,173	B1 *	11/2001	Maguire et al.	305/185
6,354,679	B1 *	3/2002	Maguire et al.	305/201

6,386,651	B1 *	5/2002	Gerardin et al.	305/100
7,614,709	B2	11/2009	Oertley	
7,657,990	B2	2/2010	Wodrich	
7,877,977	B2 *	2/2011	Johannsen et al.	59/78

* cited by examiner

Primary Examiner — Mark Goodwin

(74) *Attorney, Agent, or Firm* — Miller, Matthias & Hull

(57) **CLAIM**

The ornamental features of the “master link joint and master links unit assembly,” as shown and described.

DESCRIPTION

FIG. 1 is a perspective view of a master link unit assembly showing our new design in assembled condition;

FIG. 2 is a top plan view thereof;

FIG. 3 is a perspective view of a master link shown at the bottom right of FIG. 1;

FIG. 4 is a front view thereof;

FIG. 5 is a rear view thereof;

FIG. 6 is a top plan view thereof;

FIG. 7 is a bottom plan view thereof;

FIG. 8 is a right end view thereof;

FIG. 9 is a left end view thereof;

FIG. 10 is a perspective view of a master link shown at the top left in FIG. 1;

FIG. 11 is a front view thereof;

FIG. 12 is a rear view thereof;

FIG. 13 is a top plan view thereof;

FIG. 14 is a bottom plan view thereof;

FIG. 15 is a right end view thereof; and,

FIG. 16 is a left end view thereof.

The broken line showing the body of the master link unit assembly in FIGS. 1 and 2, and the broken lines shown in FIGS. 1-6, and 10-13 form no part of the claimed design.

1 Claim, 8 Drawing Sheets

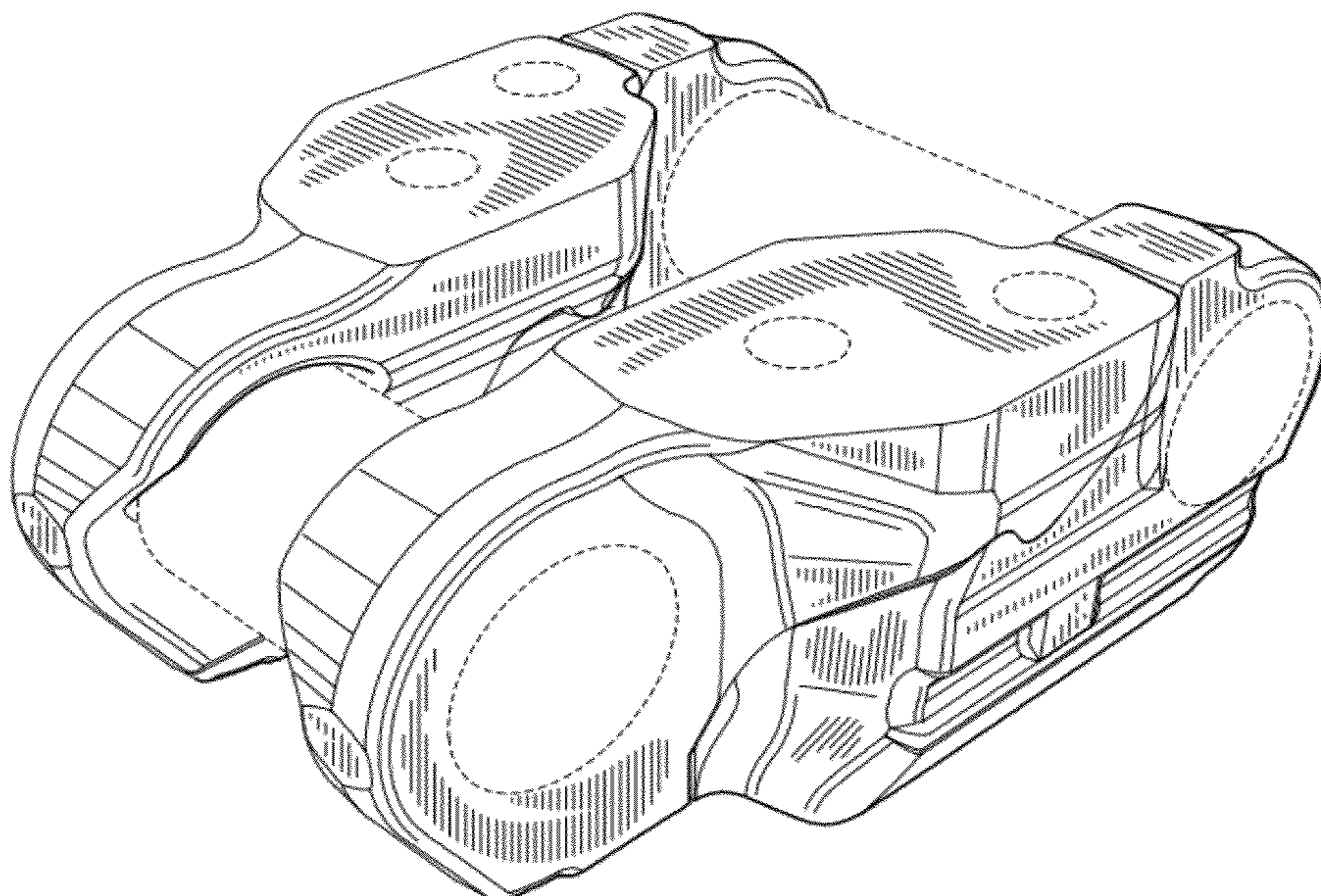


FIG. 1

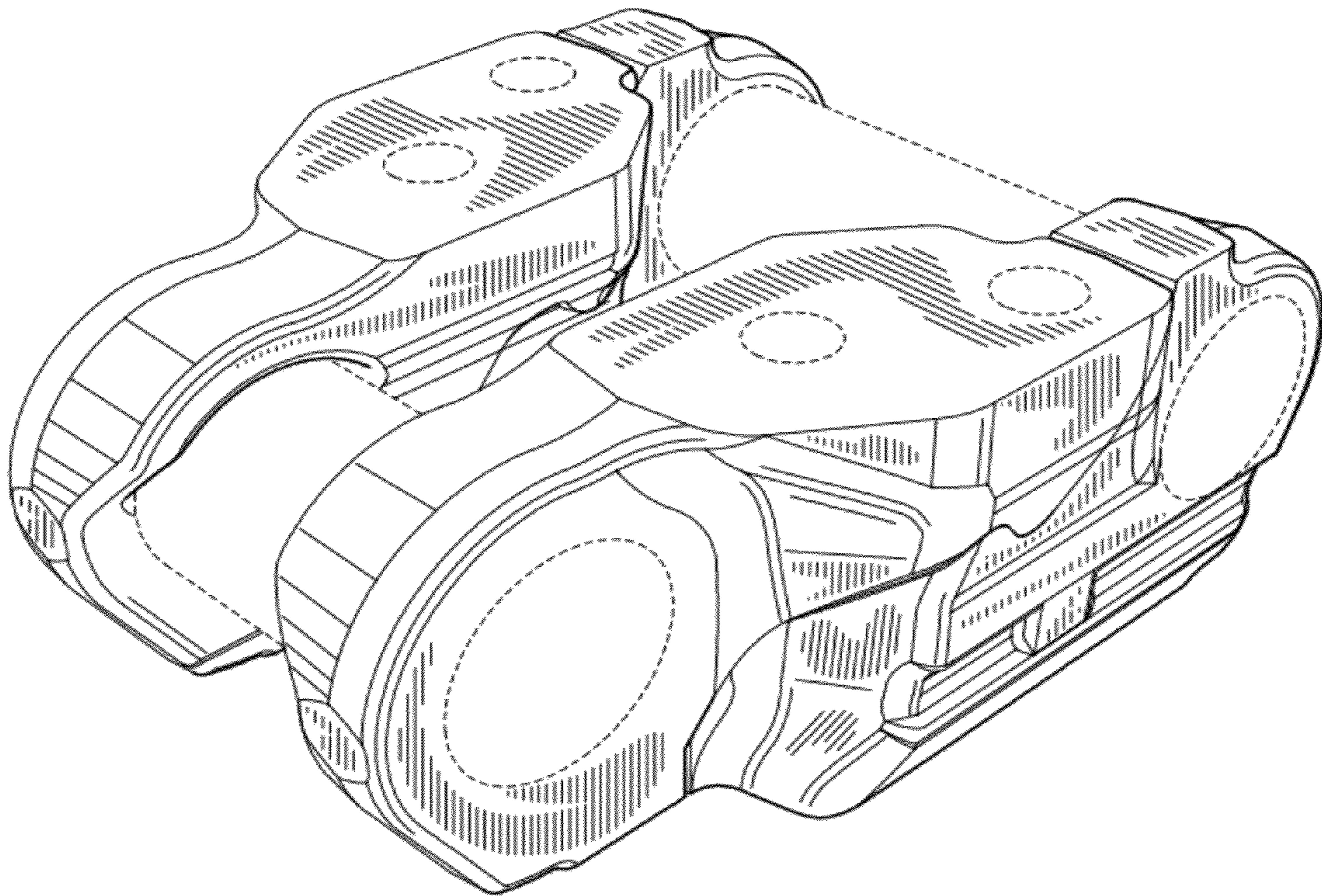


FIG. 2

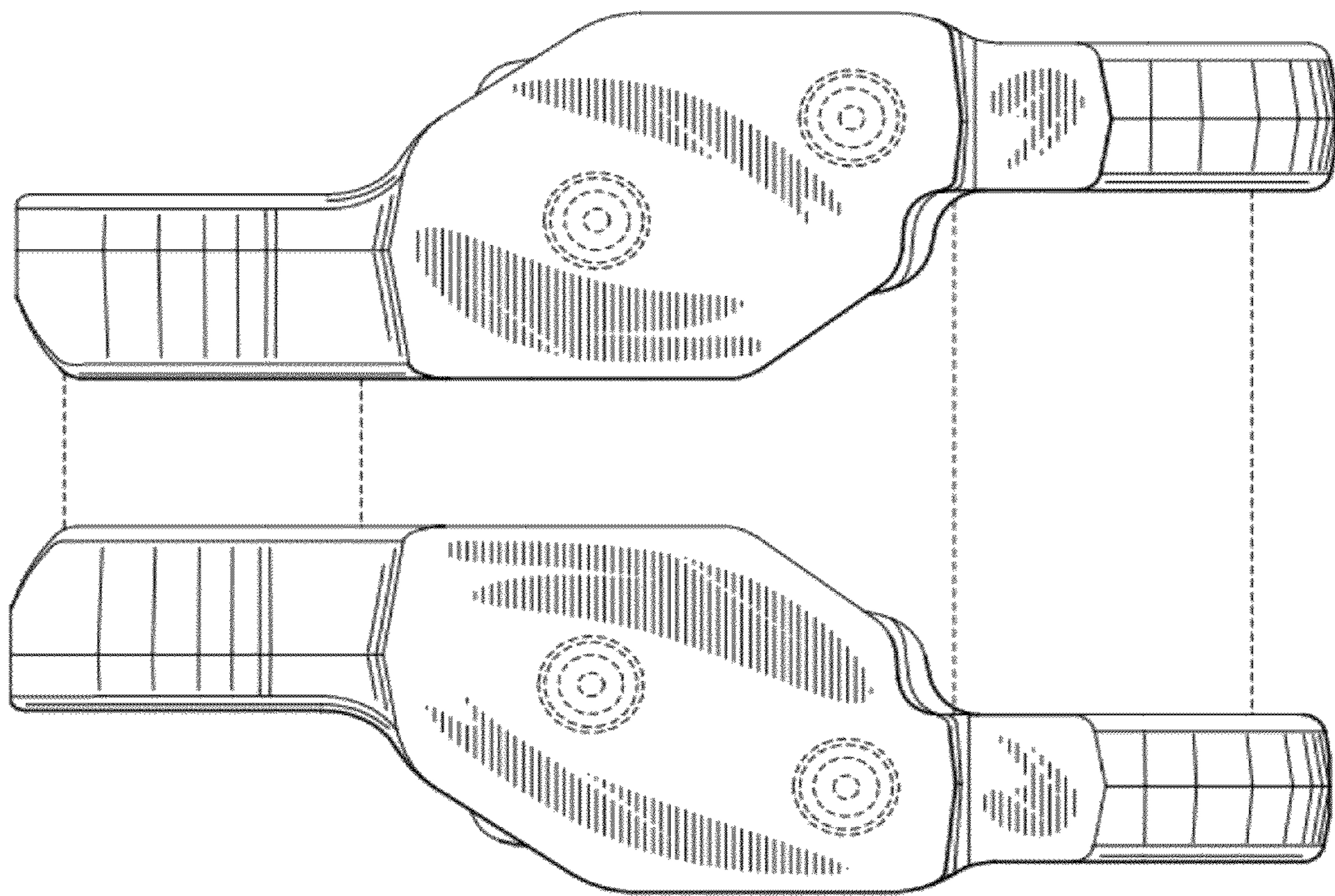


FIG. 3

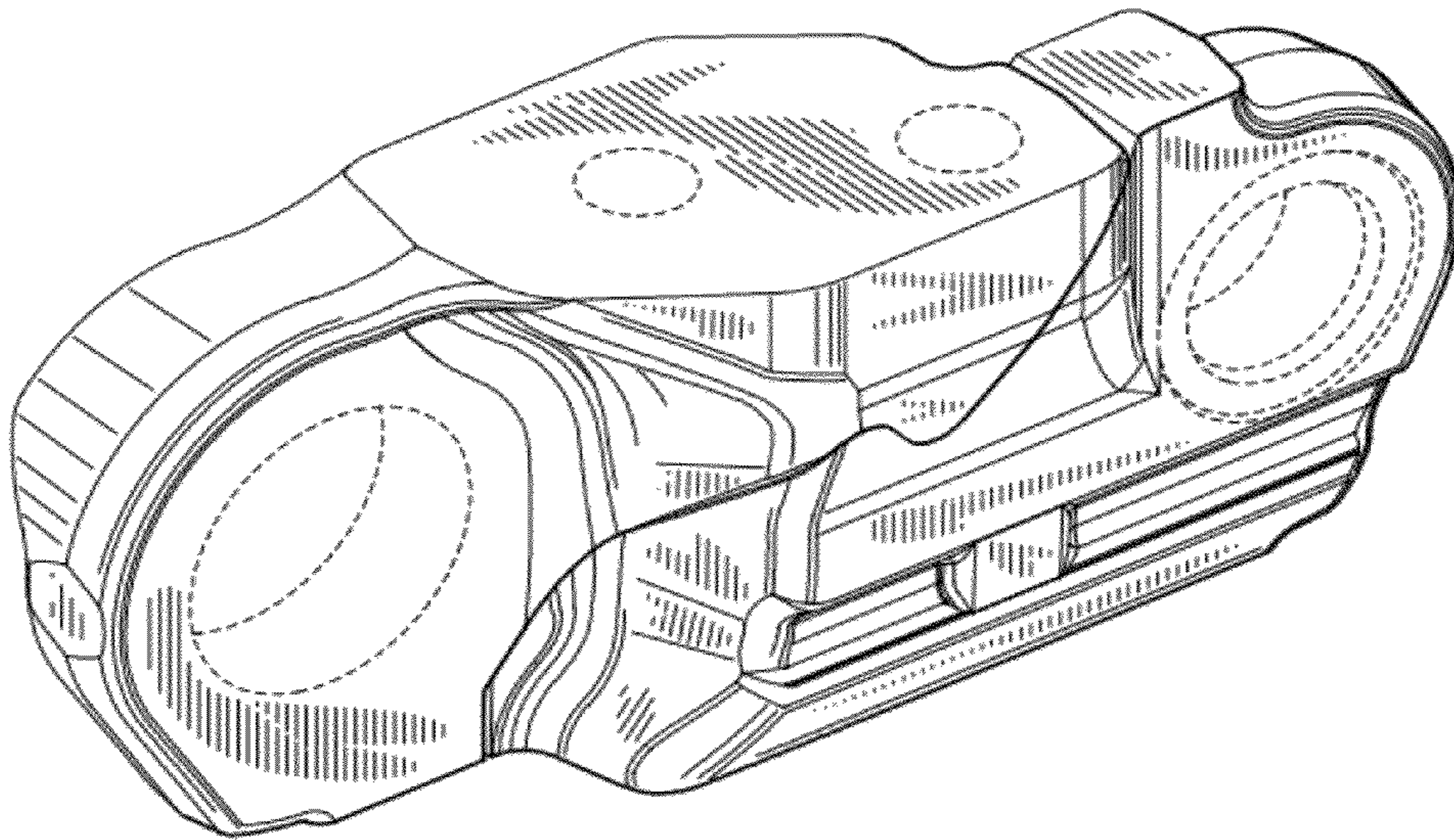


FIG. 4

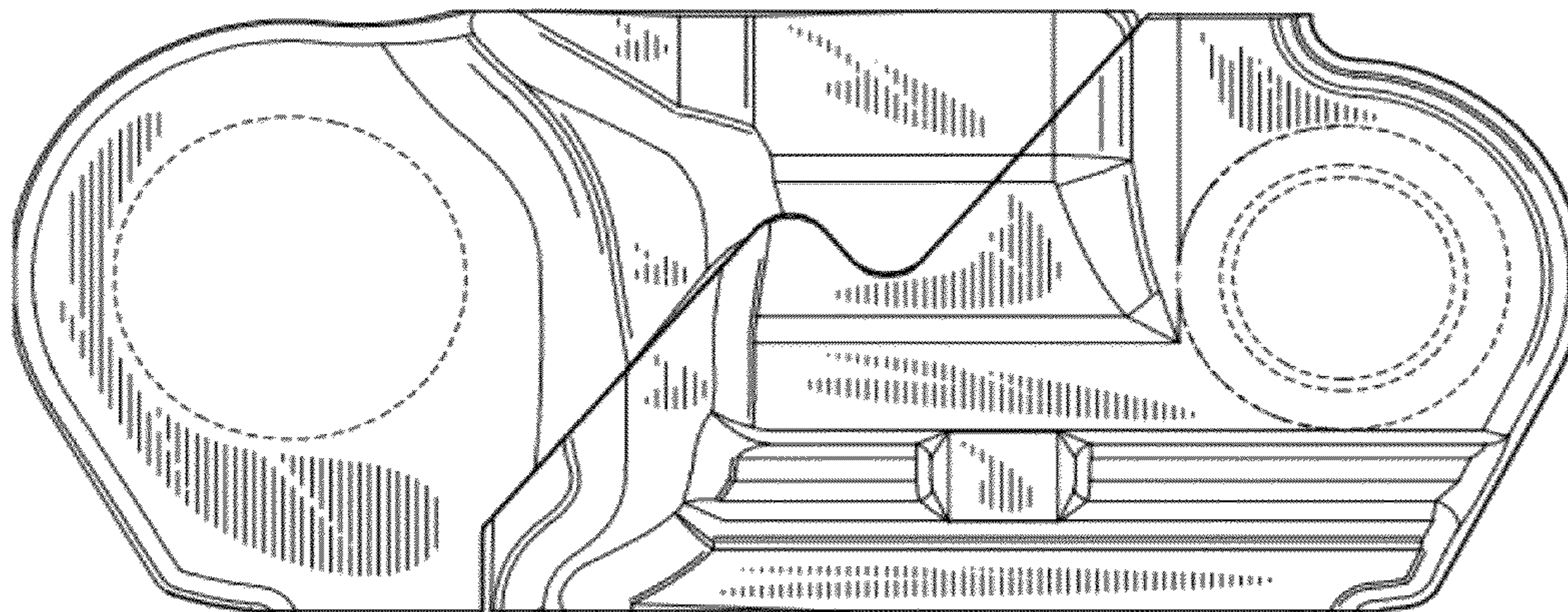


FIG. 5

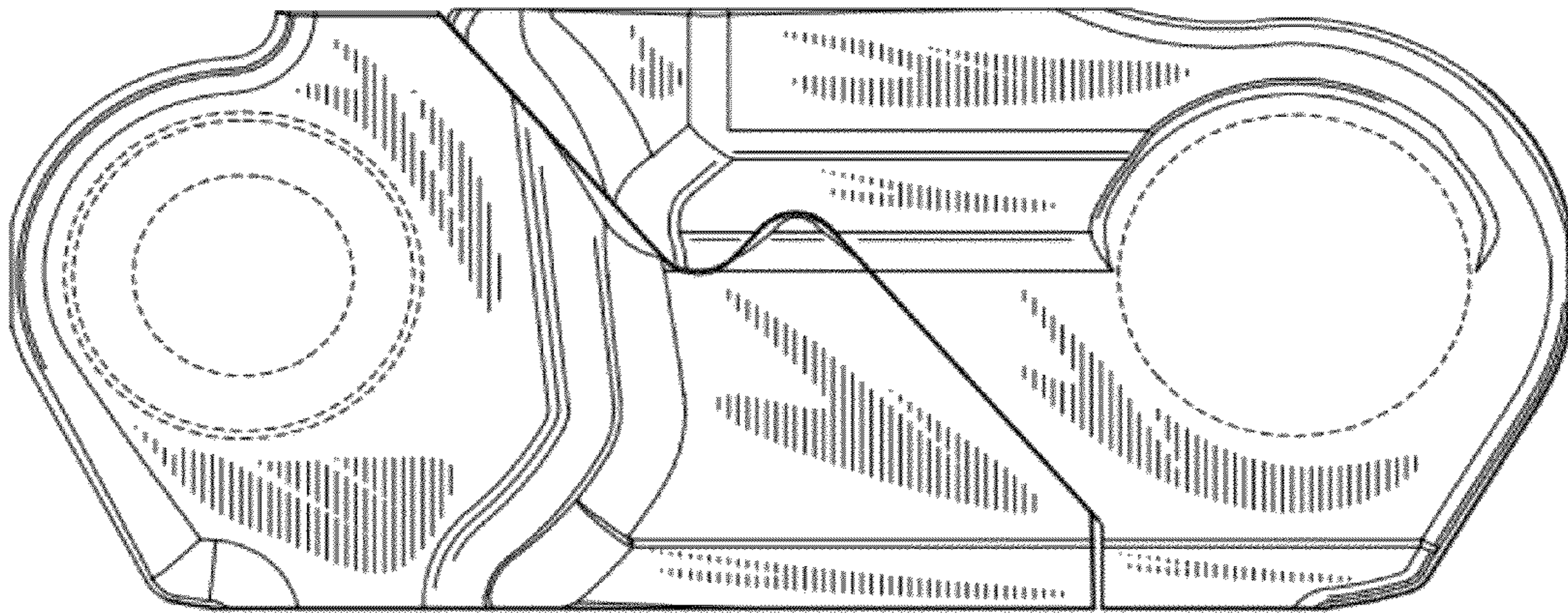


FIG. 6

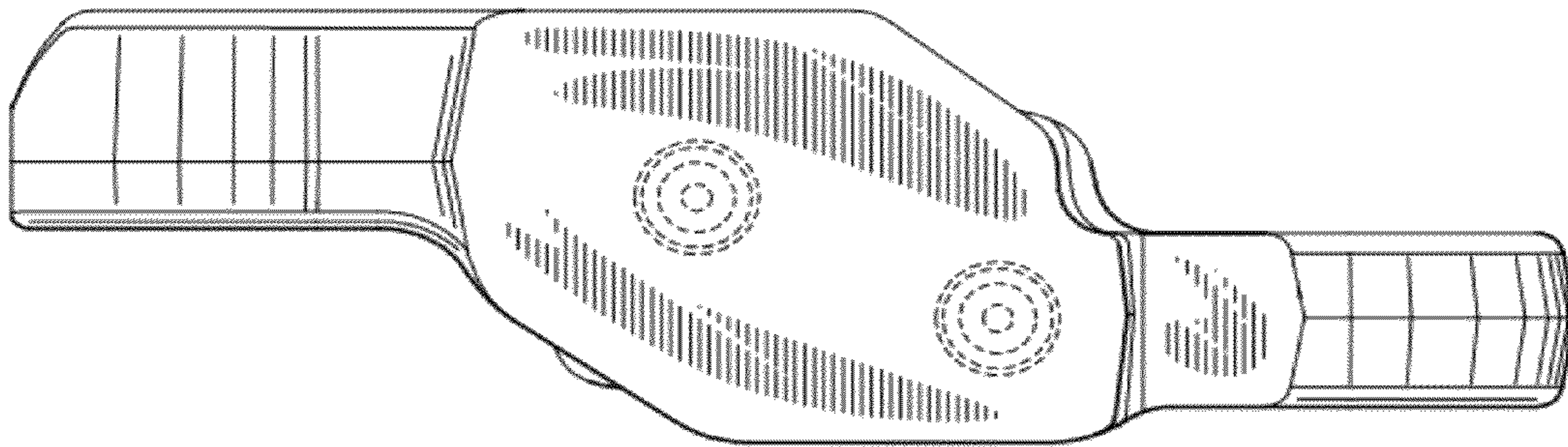


FIG. 7

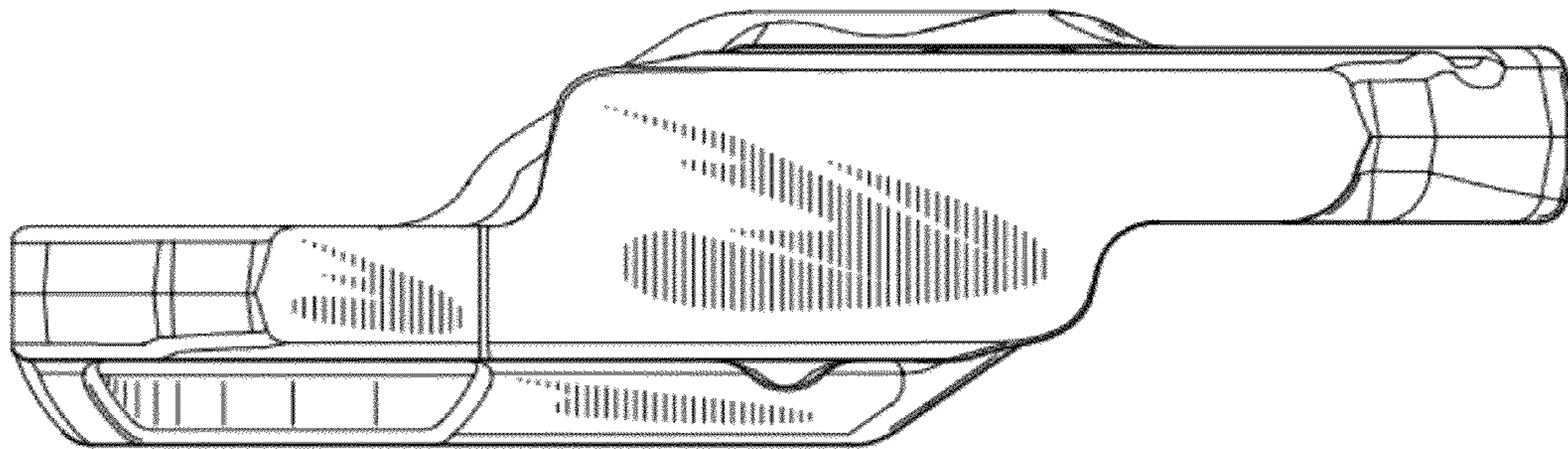


FIG. 8

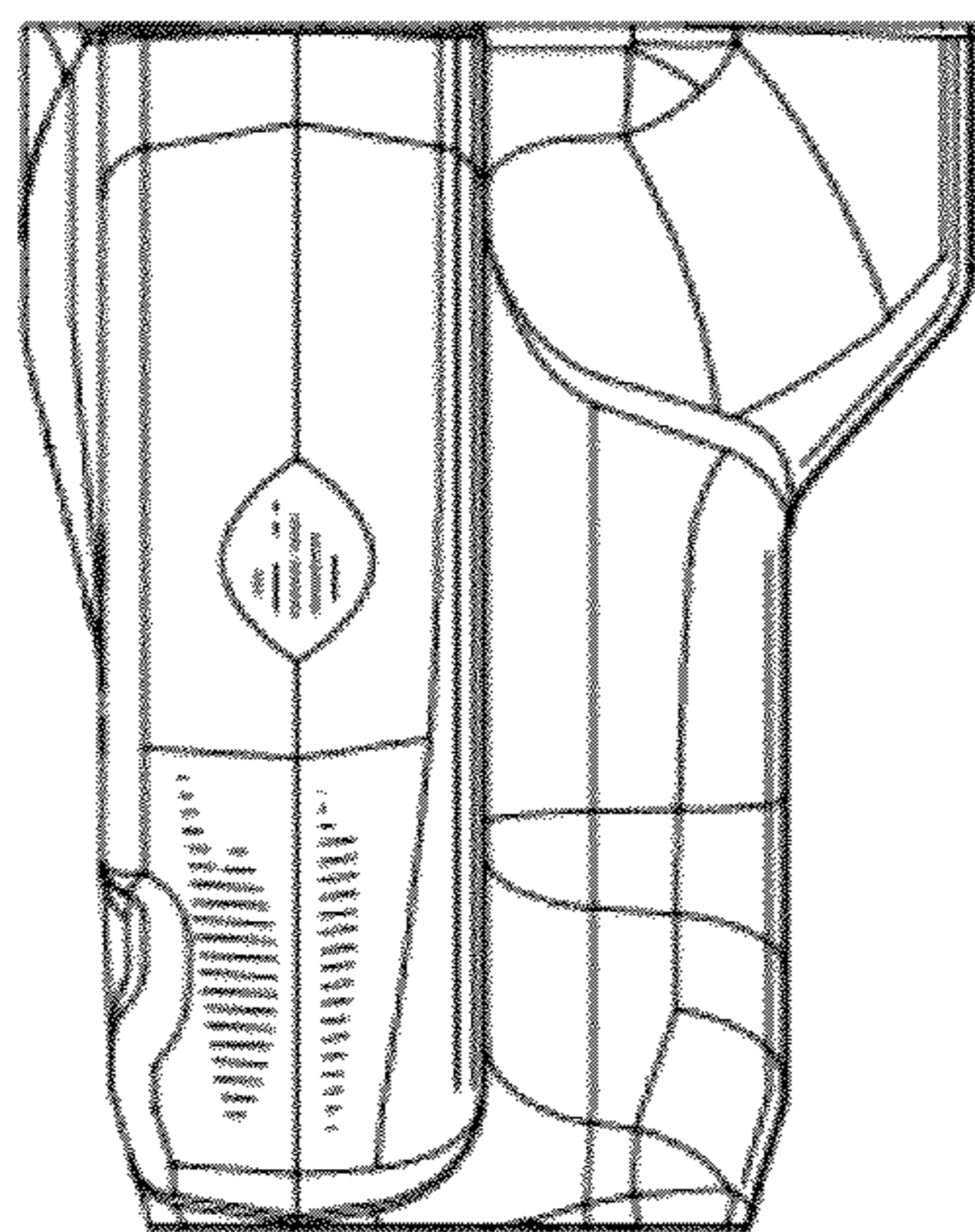


FIG. 9

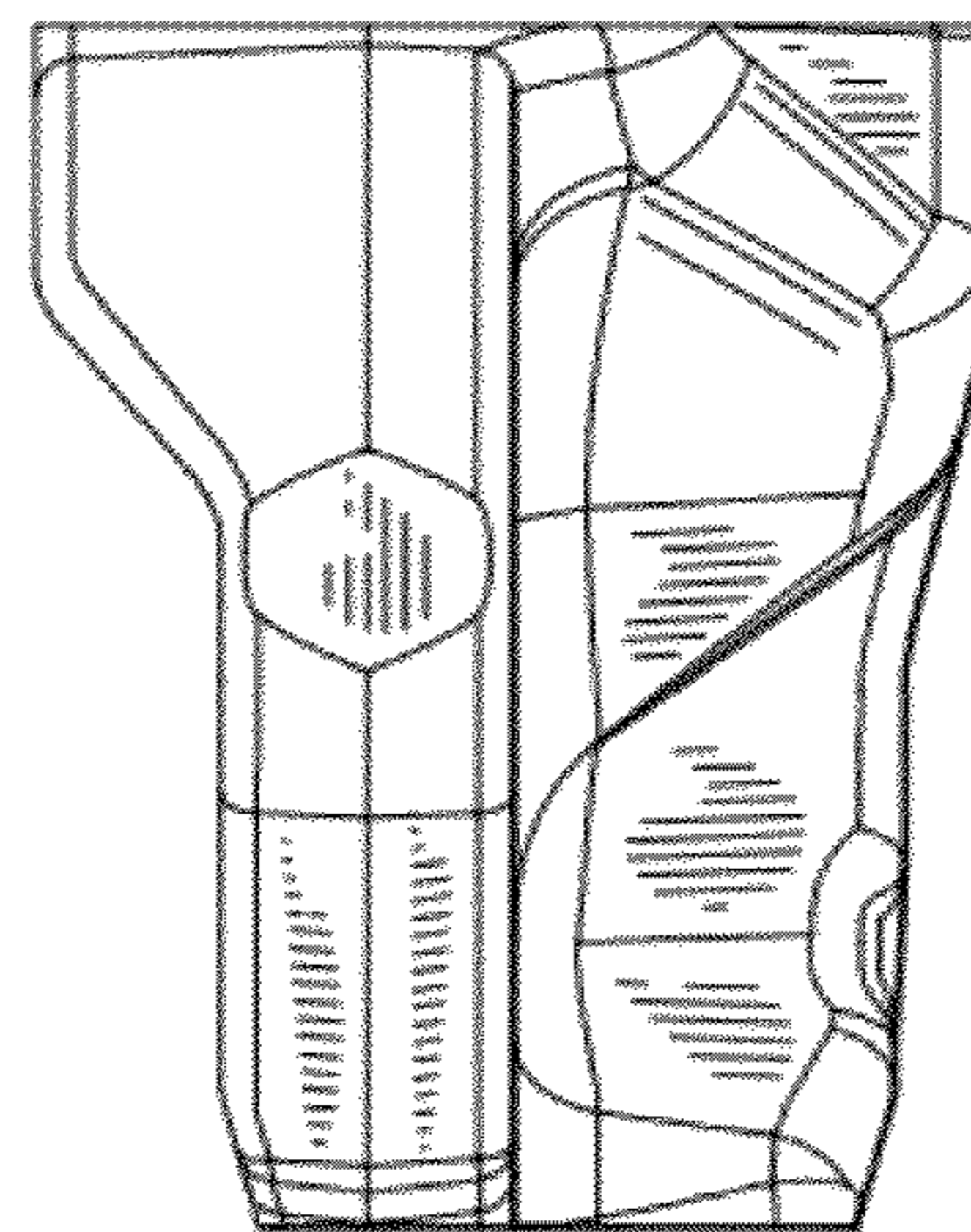


FIG. 10

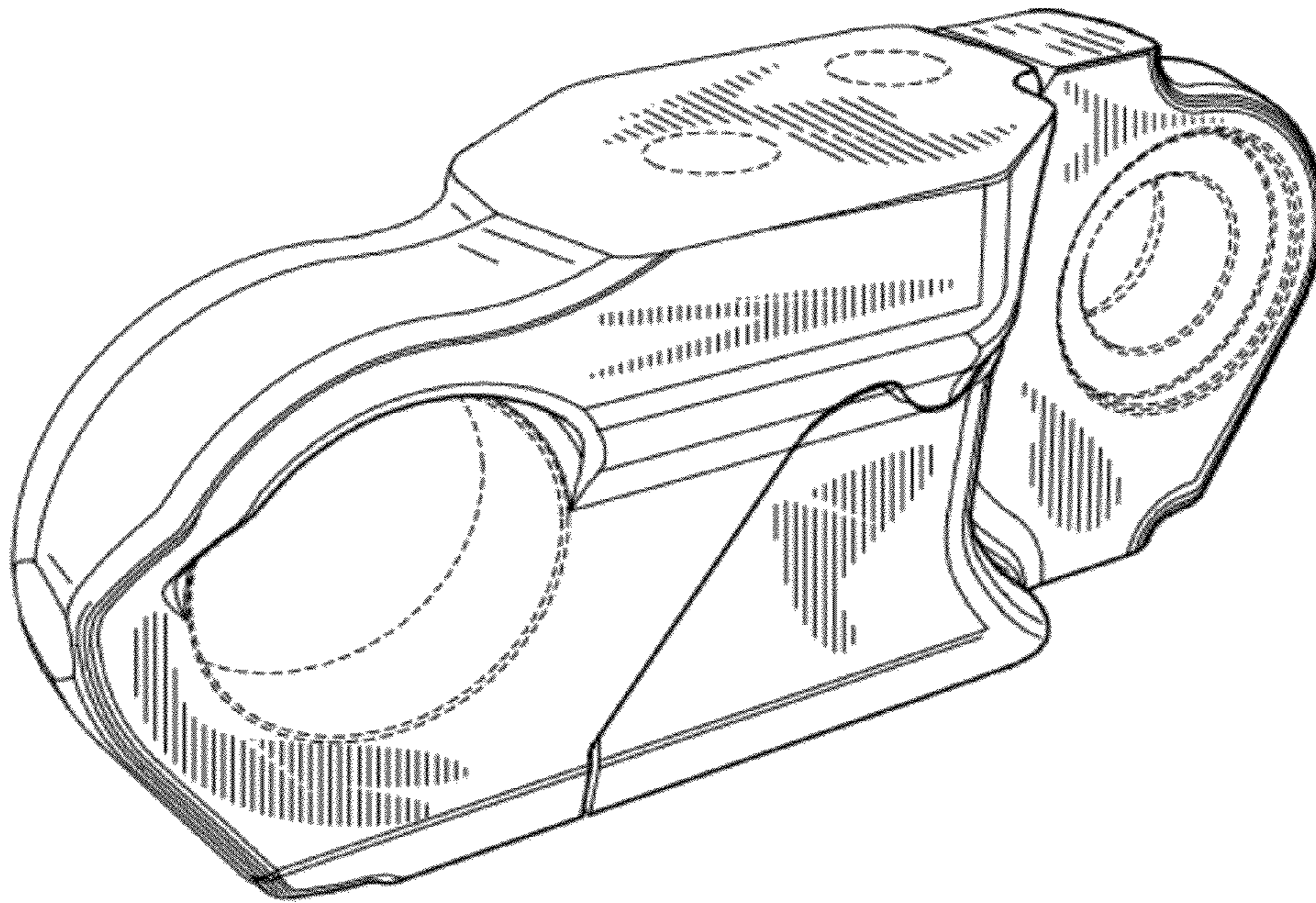


FIG. 11

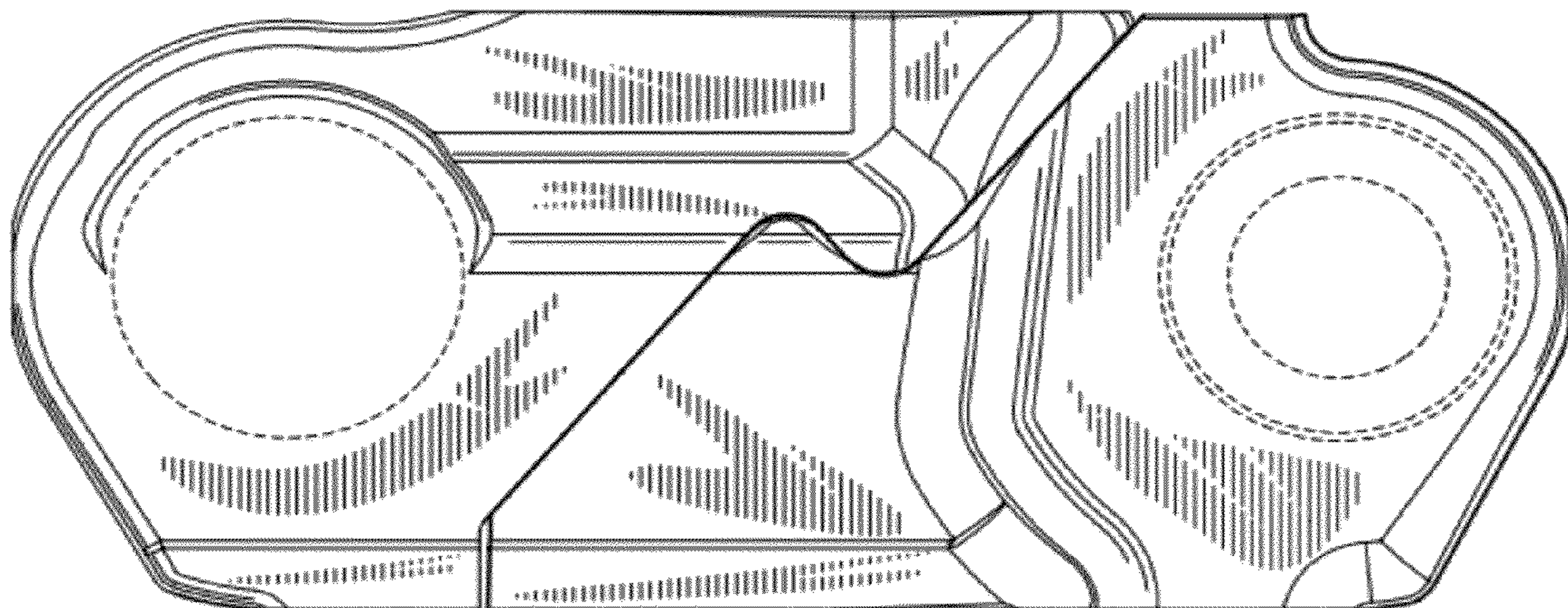


FIG. 12

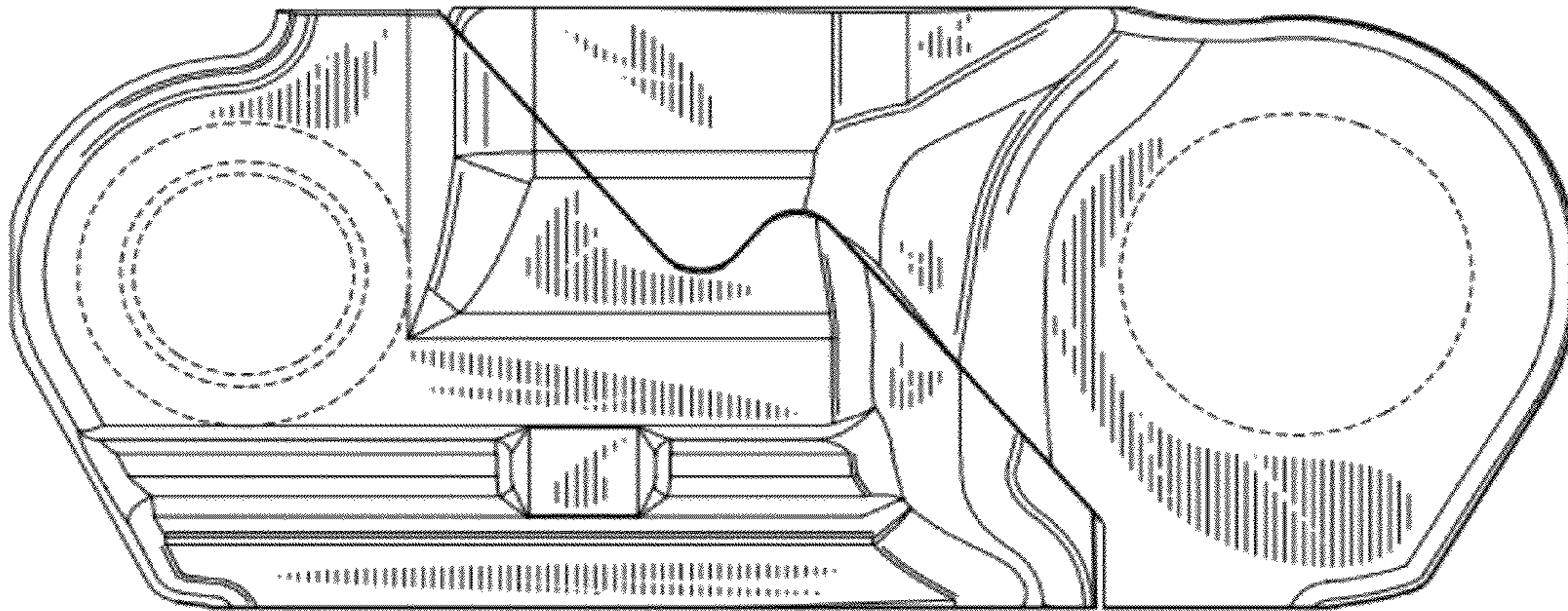


FIG. 13

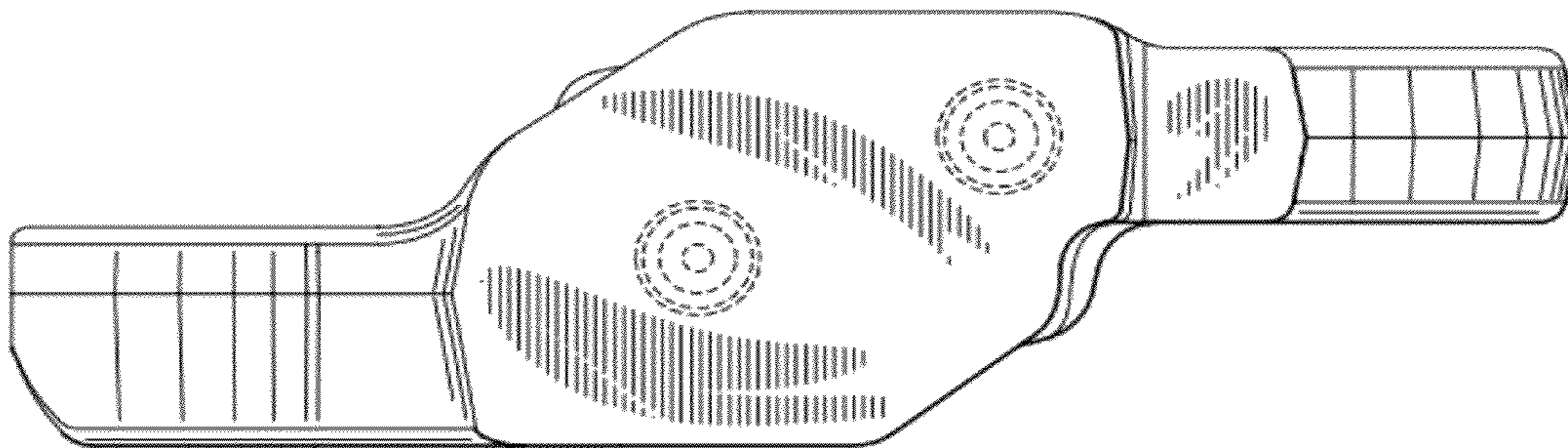


FIG. 14

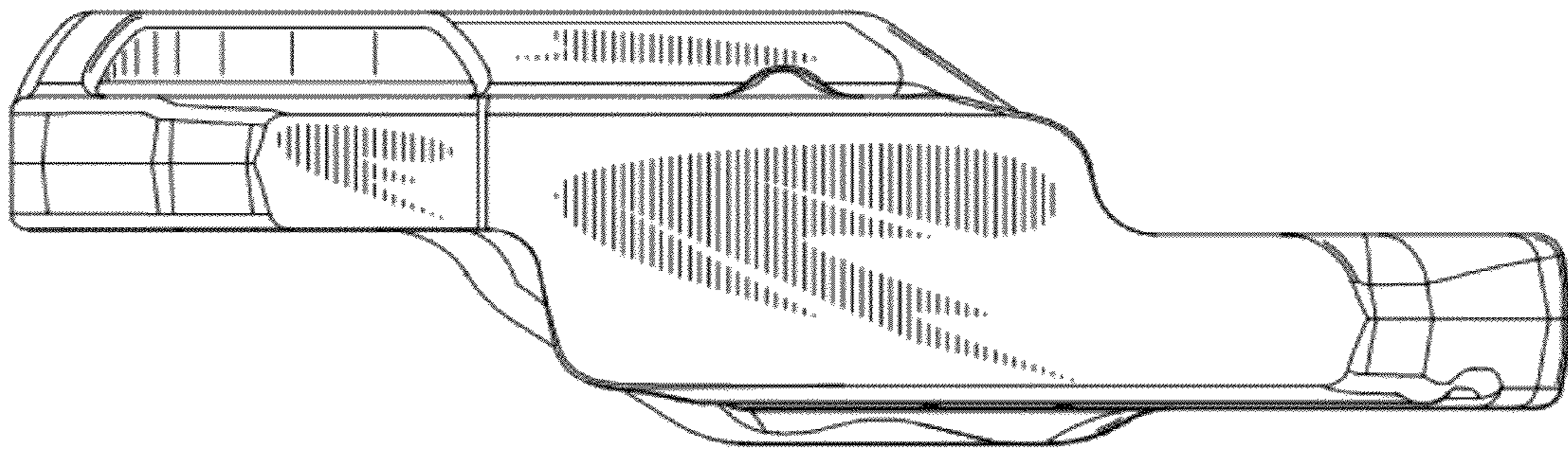


FIG. 15

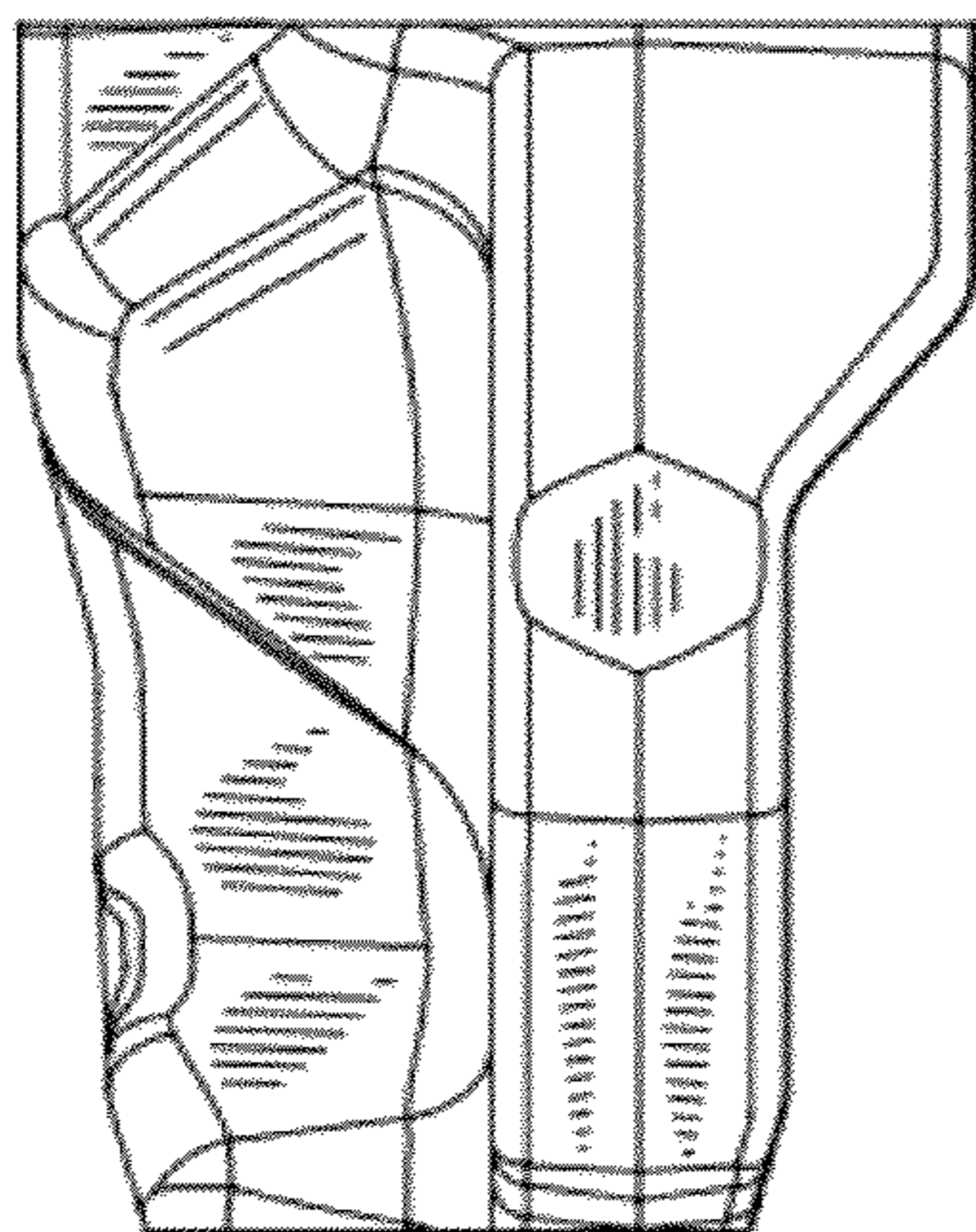


FIG. 16

