



US00D665822S

(12) **United States Design Patent**
Holt

(10) **Patent No.:** **US D665,822 S**

(45) **Date of Patent:** **** Aug. 21, 2012**

(54) **LINE PAINTING MACHINE**

(75) **Inventor:** **Tony Holt**, Bury (GB)

(73) **Assignee:** **Linemark (UK) Ltd.**, Rawtenstall (GB)

(**) **Term:** **14 Years**

(21) **Appl. No.:** **29/400,821**

(22) **Filed:** **Sep. 1, 2011**

(30) **Foreign Application Priority Data**

Jul. 28, 2011 (EM) 001897943-0001

(51) **LOC (9) Cl.** **15-03**

(52) **U.S. Cl.** **D15/10**

(58) **Field of Classification Search** D15/10-13;
D23/213, 225; 118/305; 427/137; 239/150,
239/146, 147, 172, 155, 159, 164, 165, 176,
239/683-687; 404/93, 94

See application file for complete search history.

(56) **References Cited**

U.S. PATENT DOCUMENTS

1,999,563	A *	4/1935	Glasgow	239/123
3,373,938	A *	3/1968	Sweet	239/148
4,313,780	A *	2/1982	Ford, Jr.	156/523
4,624,602	A *	11/1986	Kieffer et al.	404/94
4,861,190	A *	8/1989	Glassel	404/93
4,877,348	A *	10/1989	Opie	404/93
4,893,751	A *	1/1990	Armstrong	239/150
D324,053	S *	2/1992	Smrt	D15/13
5,213,480	A *	5/1993	Yedinak et al.	417/234
5,263,789	A *	11/1993	Torntore et al.	404/93

5,302,207	A *	4/1994	Jurcisin	118/713
5,312,043	A *	5/1994	Whitney	239/754
D349,711	S *	8/1994	Torntore et al.	D15/13
5,368,232	A *	11/1994	Schroeder	239/165
D354,288	S *	1/1995	Pena	D15/13
5,947,385	A *	9/1999	Lanerd et al.	239/172
D565,603	S *	4/2008	Viner et al.	D15/13
7,611,076	B1 *	11/2009	Street et al.	239/176
7,673,815	B2 *	3/2010	Schroeder et al.	239/332
D619,625	S *	7/2010	Schroeder et al.	D15/13
2004/0037645	A1 *	2/2004	Harrison	404/94
2008/0099579	A1 *	5/2008	Schroeder et al.	239/150
2009/0087263	A1 *	4/2009	Martinez et al.	404/94
2010/0072717	A1 *	3/2010	Liska	280/47.371

* cited by examiner

Primary Examiner — Mark Goodwin

(74) *Attorney, Agent, or Firm* — Woodard, Emhardt, Moriarty, McNett & Henry, LLP

(57) **CLAIM**

The ornamental design for a line painting machine, as shown and described.

DESCRIPTION

FIG. 1 is a perspective view of the line painting machine showing my new design.

FIG. 2 is a front view of the line painting machine.

FIG. 3 is a top view of the line painting machine.

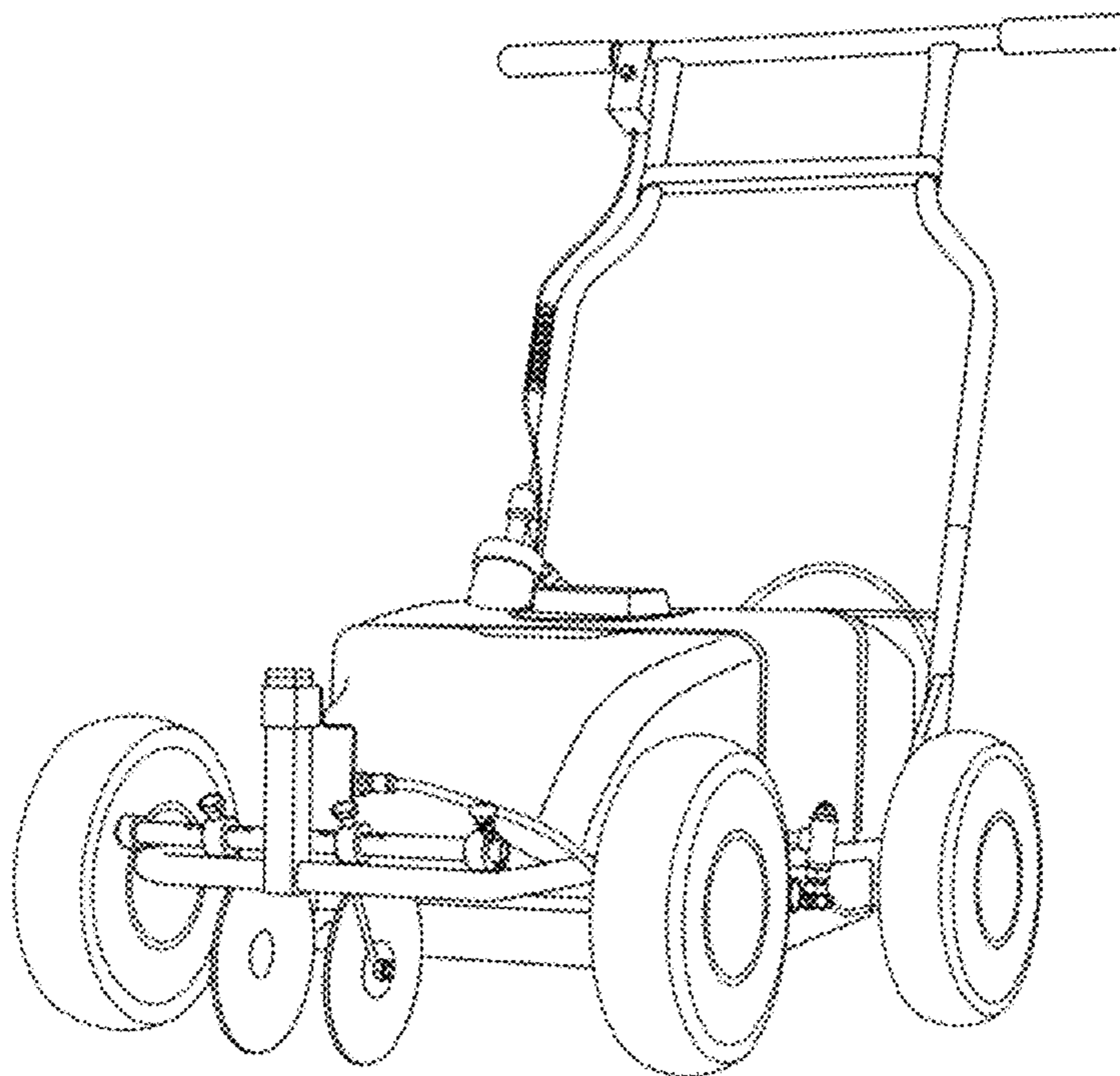
FIG. 4 is a right side view of the line painting machine.

FIG. 5 is a left side view of the line painting machine; and,

FIG. 6 is a rear view of the line painting machine.

The dotted line drawing portions are for illustrative purposes only and form no part of the claimed design.

1 Claim, 6 Drawing Sheets



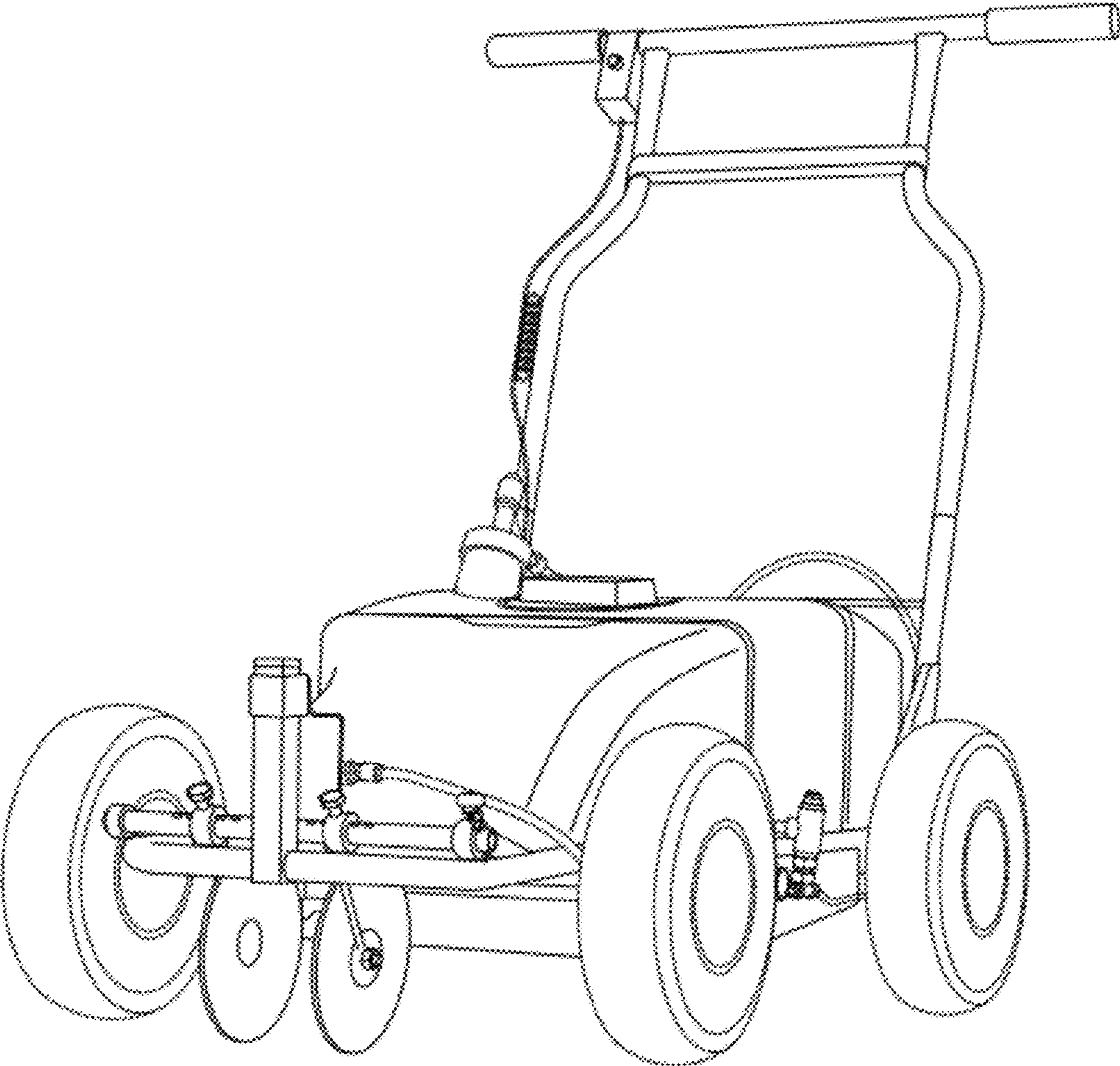


Fig. 1

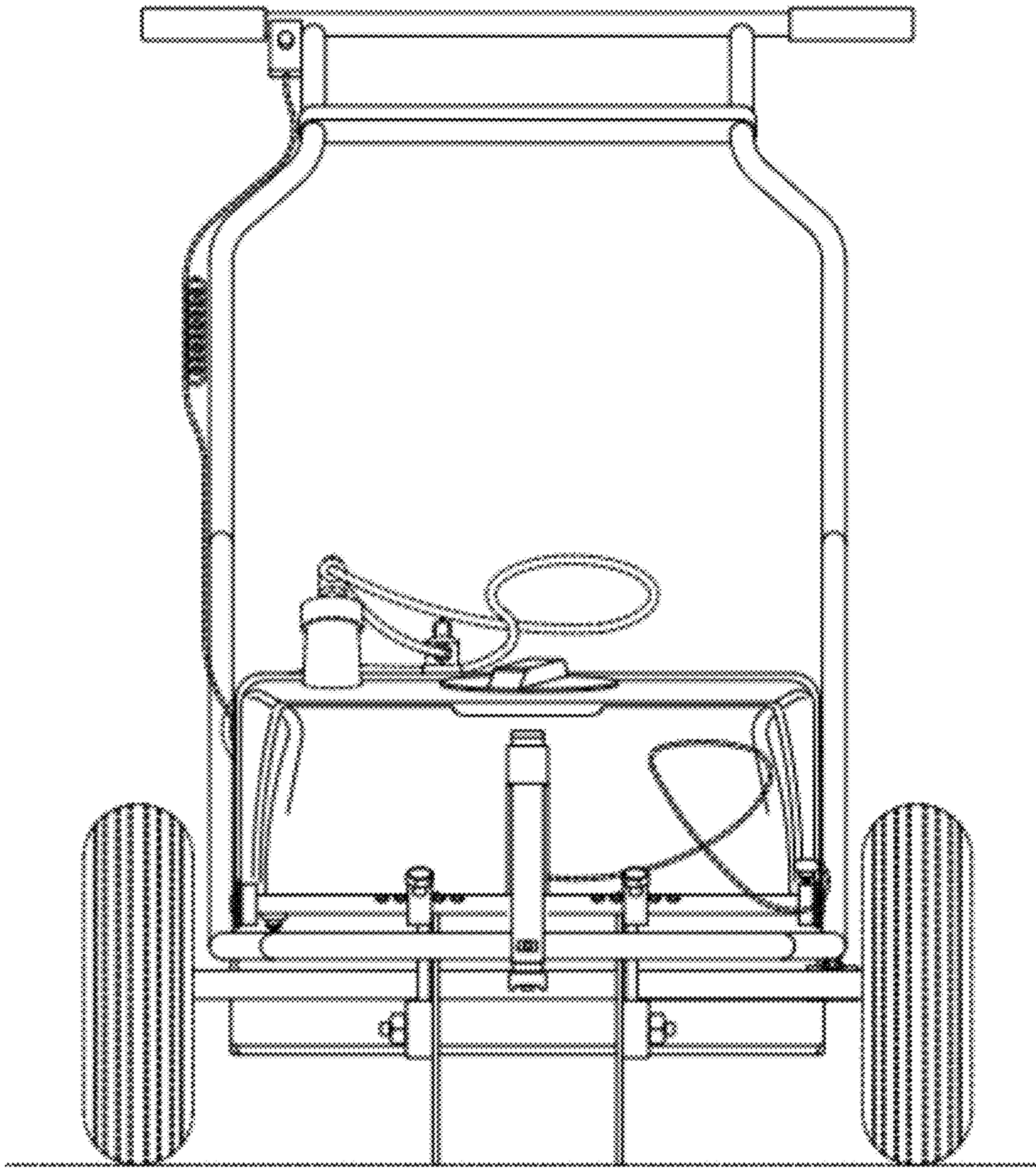


Fig. 2

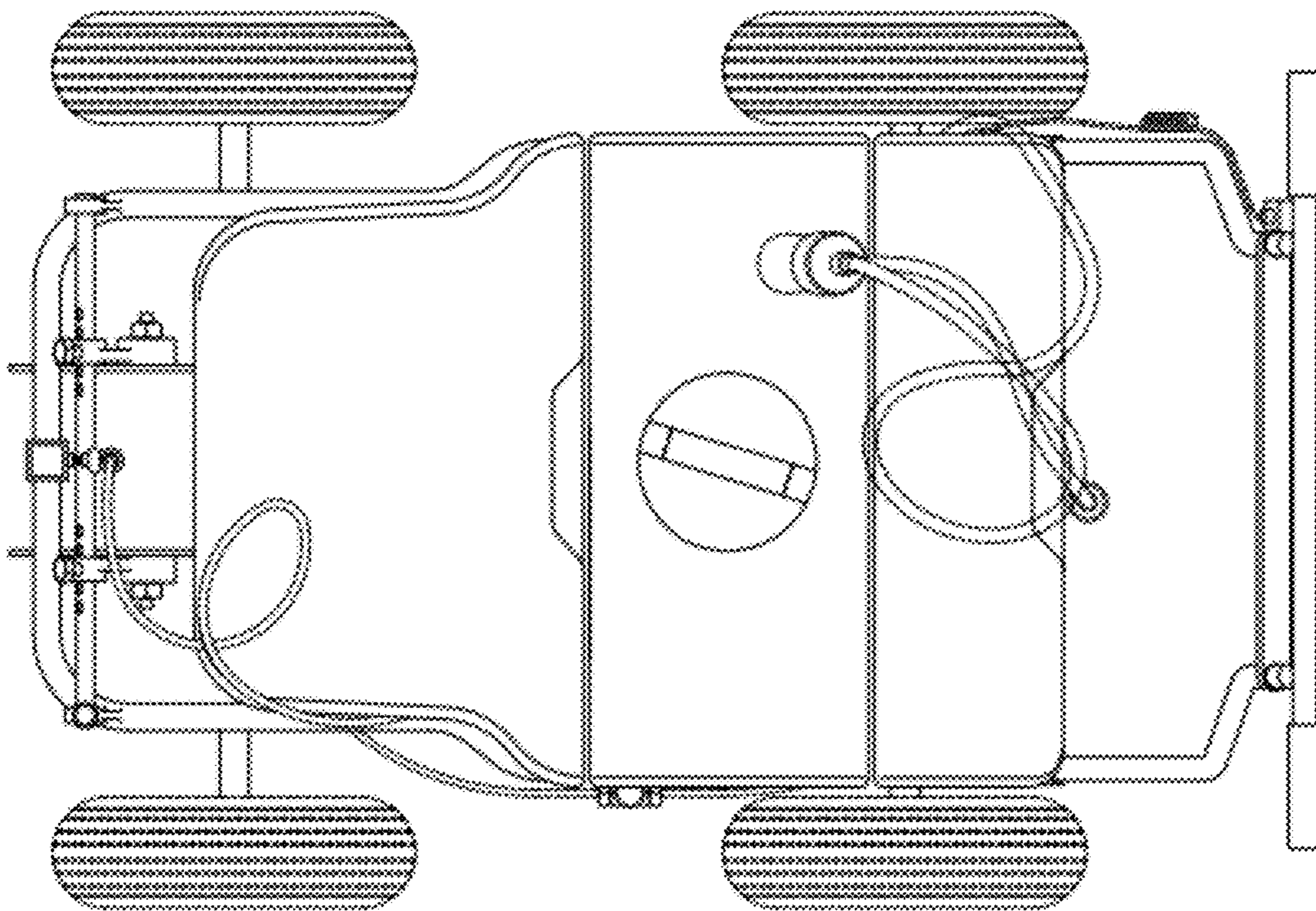


Fig. 3

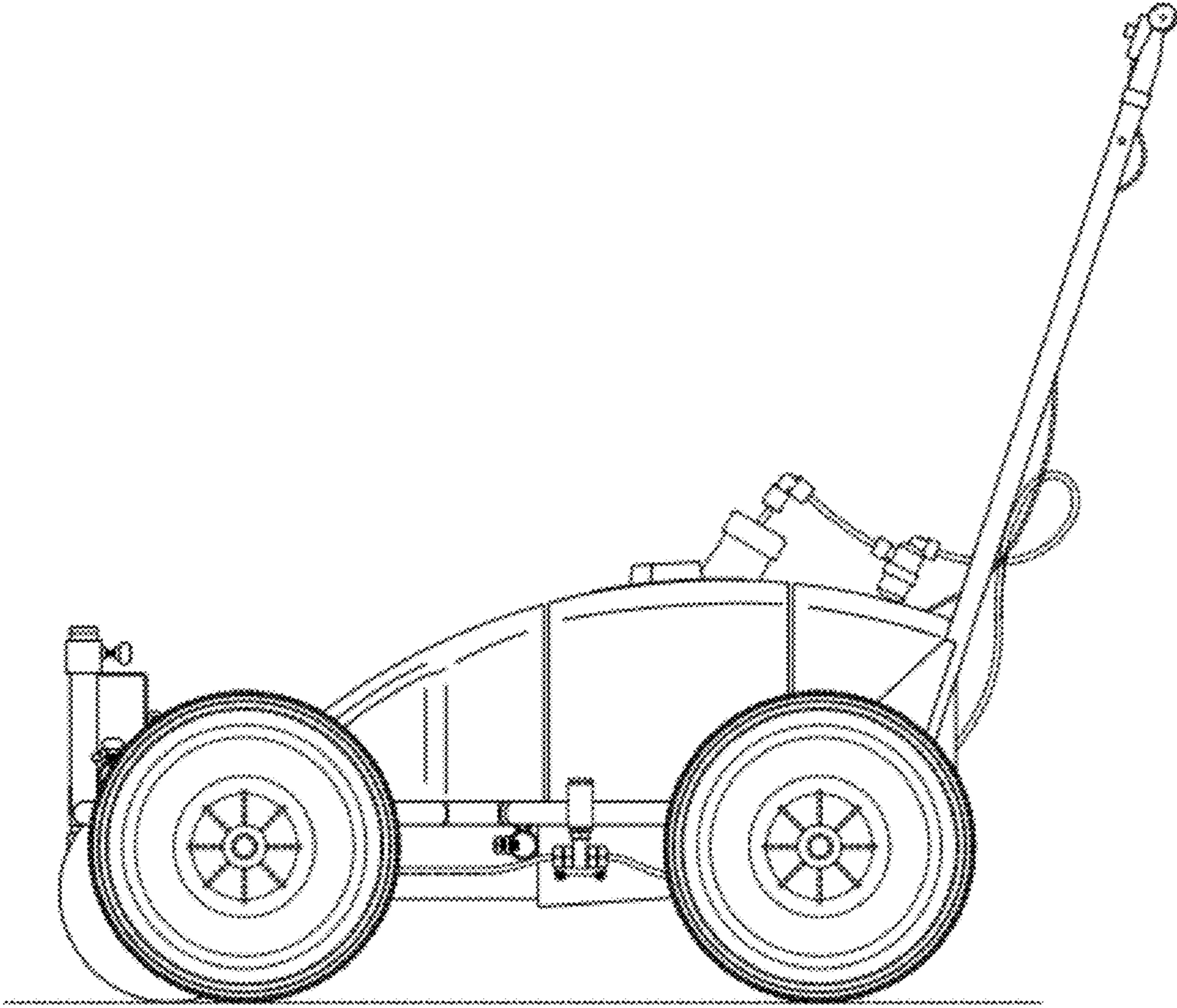


Fig. 4

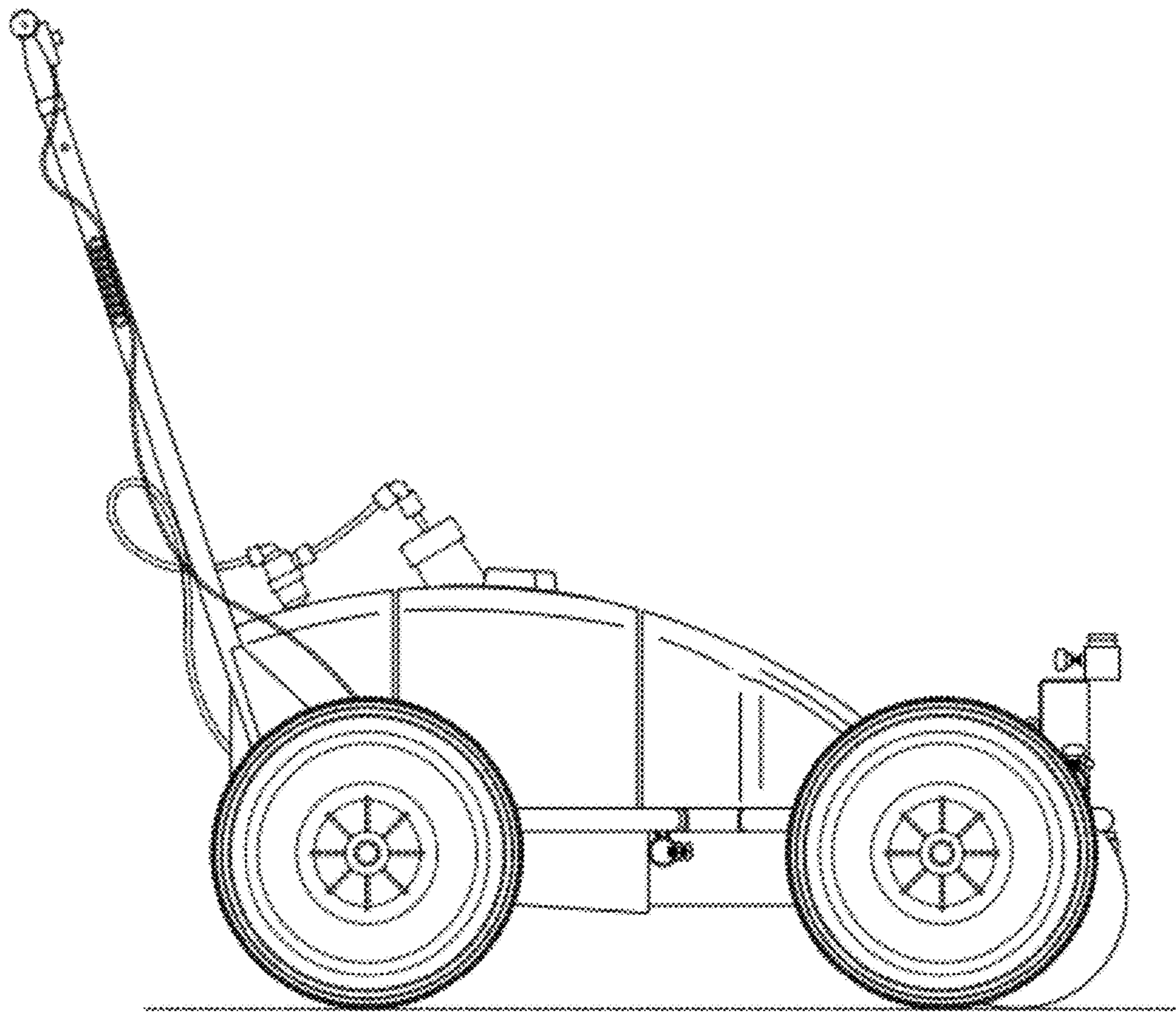


Fig. 5

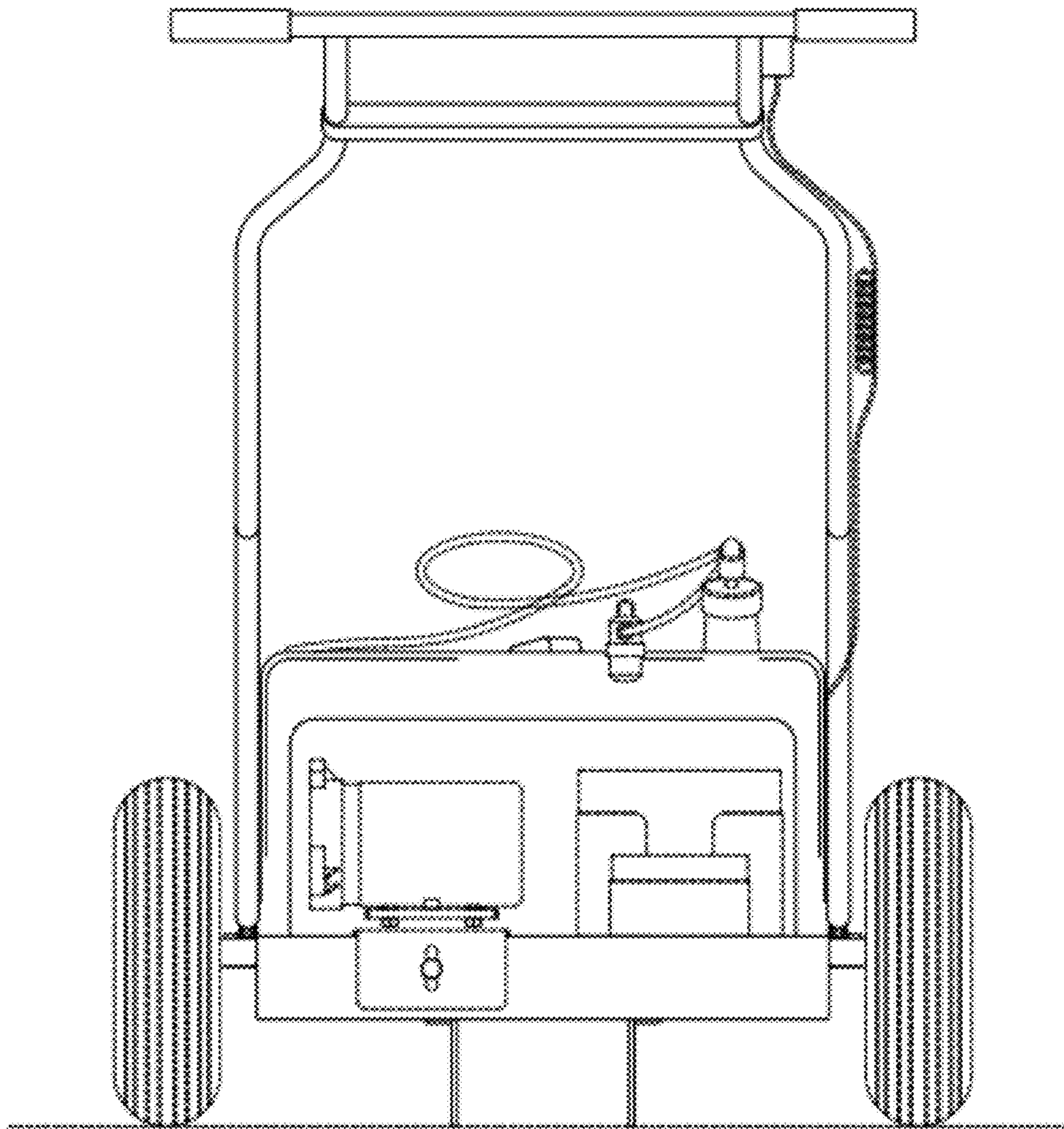


Fig. 6