



US00D665820S

(12) **United States Design Patent**
Andre et al.

(10) **Patent No.:** **US D665,820 S**
(45) **Date of Patent:** **** Aug. 21, 2012**

(54) **MEDIA DEVICE**

710/1, 5, 8; 713/1, 600; 455/1.1, 1.7, 73,
455/344-347, 93, 95, 3.01-3.06, 550.1, 573.1;
370/342-344; 369/1, 2, 6-12; 463/43-47;
273/148 B

(75) Inventors: **Bartley K. Andre**, Menlo Park, CA (US); **Daniel J. Coster**, San Francisco, CA (US); **Daniele De Iuliis**, San Francisco, CA (US); **Richard P. Howarth**, San Francisco, CA (US); **Jonathan P. Ive**, San Francisco, CA (US); **Steve Jobs**, Palo Alto, CA (US); **Duncan Robert Kerr**, San Francisco, CA (US); **Shin Nishibori**, Kailua, HI (US); **Matthew Dean Rohrbach**, San Francisco, CA (US); **Douglas B. Satzger**, Menlo Park, CA (US); **Calvin Q. Seid**, Palo Alto, CA (US); **Christopher J. Stringer**, Woodside, CA (US); **Eugene Antony Whang**, San Francisco, CA (US); **Rico Zorkendorfer**, San Francisco, CA (US)

See application file for complete search history.

(56) **References Cited**

U.S. PATENT DOCUMENTS

D425,885 S	5/2000	Amron
D452,250 S	12/2001	Chan
D469,109 S	1/2003	Andre et al.
6,591,085 B1	7/2003	Grady
6,593,914 B1	7/2003	Nuovo et al.
D486,813 S	2/2004	Chun
D489,052 S	4/2004	Shiraki et al.
D489,731 S	5/2004	Huang

(Continued)

FOREIGN PATENT DOCUMENTS

CN	3260632D	10/2002
----	----------	---------

(Continued)

Primary Examiner — Prabhakar Deshmukh

(74) *Attorney, Agent, or Firm* — Sterne, Kessler, Goldstein & Fox PLLC

(73) Assignee: **Apple Inc.**, Cupertino, CA (US)

(**) Term: **14 Years**

(21) Appl. No.: **29/414,616**

(22) Filed: **Mar. 1, 2012**

Related U.S. Application Data

(63) Continuation of application No. 29/399,213, filed on Aug. 10, 2011, now Pat. No. Des. 654,159, which is a continuation of application No. 29/332,388, filed on Feb. 13, 2009, now Pat. No. Des. 650,355, which is a continuation of application No. 29/286,504, filed on May 8, 2007, now abandoned, which is a continuation of application No. 29/237,096, filed on Aug. 24, 2005, now Pat. No. Des. 548,744.

(51) **LOC (9) Cl.** **14-03**

(52) **U.S. Cl.** **D14/496; D14/203.7**

(58) **Field of Classification Search** D14/496, D14/401, 435, 474, 483, 217, 137, 138, 160, D14/168, 356, 203.1-203.8, 507; 345/156, 345/169, 173-179, 905; 715/727-729, 864;

(57) **CLAIM**

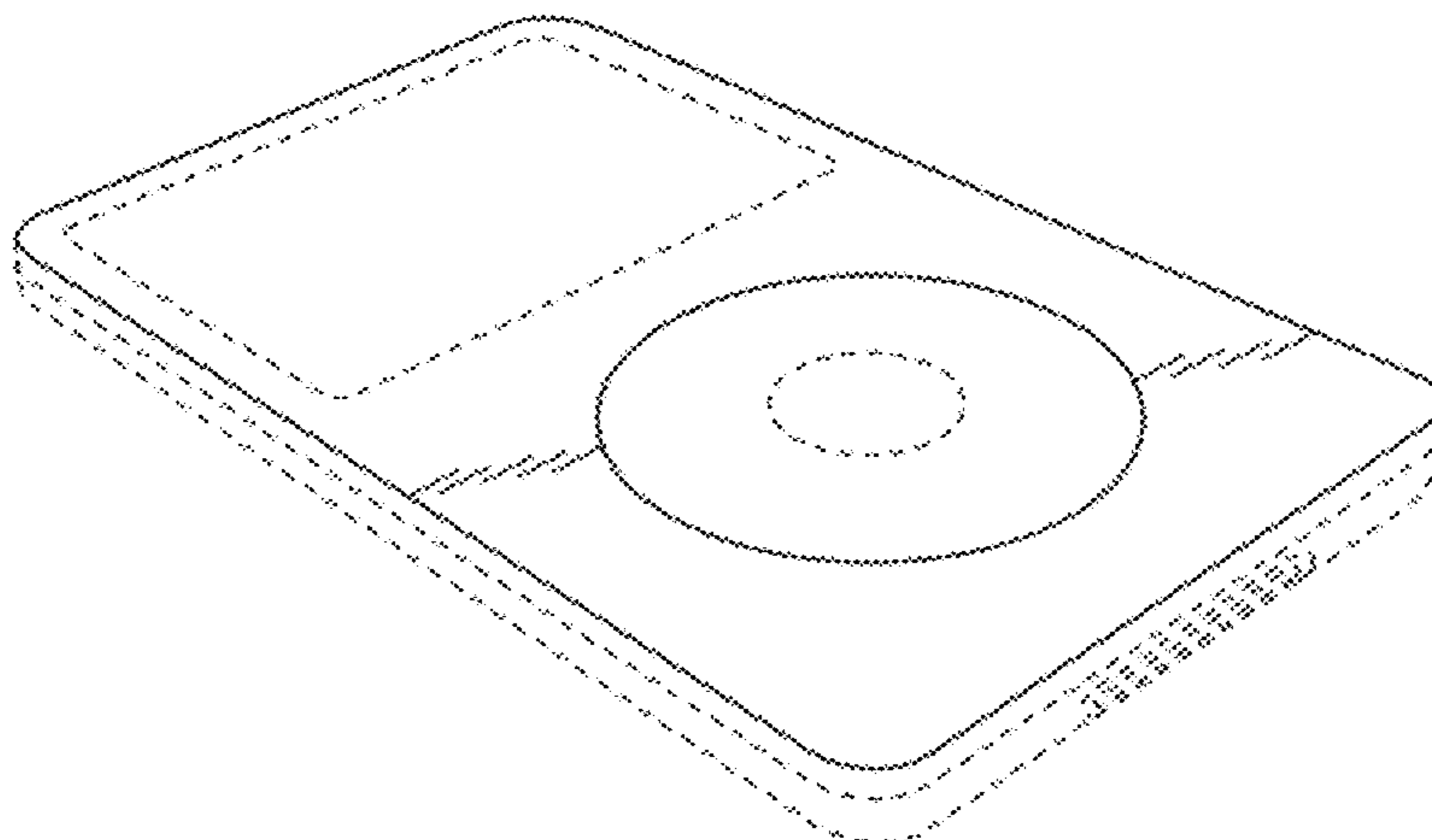
The ornamental design for a media device, as shown and described.

DESCRIPTION

FIG. 1 is a perspective view of a media device showing our new design;
FIG. 2 is a front view thereof;
FIG. 3 is a rear view thereof;
FIG. 4 is a bottom plan view thereof;
FIG. 5 is a top plan view thereof;
FIG. 6 is a side view thereof; and,
FIG. 7 is another side view thereof.

The broken lines in the Figures show portions of the media device which forms no part of the claimed design.

1 Claim, 3 Drawing Sheets



US D665,820 S

Page 2

U.S. PATENT DOCUMENTS				FOREIGN PATENT DOCUMENTS			
D492,323	S	6/2004	Wang	CN	3260633D	10/2002	
D494,188	S	8/2004	Huang	CN	3269799D	12/2002	
D497,618	S	10/2004	Andre et al.	CN	3287344D	4/2003	
D499,423	S	12/2004	Bahroocha et al.	CN	3331371D	10/2003	
D499,424	S	12/2004	Bahroocha	CN	3389184D	9/2004	
D506,476	S	6/2005	Andre et al.	CN	3389185D	9/2004	
D507,003	S	7/2005	Pai et al.	CN	3453893D	6/2005	
D507,277	S	7/2005	Sitoh	CN	3453894D	6/2005	
D510,937	S	10/2005	Tsai	CN	3453909D	6/2005	
D513,512	S	1/2006	Tsai	CN	3468582D	8/2005	
D516,576	S	3/2006	Ive et al.	CN	3468598D	8/2005	
D519,523	S	4/2006	Chiu et al.	CN	3480659D	10/2005	
D520,020	S	5/2006	Senda et al.	CN	3484184D	11/2005	
D536,703	S *	2/2007	Kim D14/203.7	CN	3490573D	12/2005	
D537,808	S *	3/2007	Lee D14/203.7	CN	3490574D	12/2005	
D538,820	S	3/2007	Andre et al.	CN	3509995D	3/2006	
D539,811	S	4/2007	Lee	CN	3513646D	3/2006	
D541,297	S	4/2007	Andre et al.	CN	3518964D	4/2006	
D541,298	S	4/2007	Andre et al.	CN	3518979D	4/2006	
D541,299	S	4/2007	Andre et al.	CN	3543434D	7/2006	
D548,745	S	8/2007	Andre et al.	CN	3545312D	7/2006	
D548,747	S	8/2007	Andre et al.	CN	3549064D	8/2006	
D549,237	S	8/2007	Andre et al.	CN	D1312270	10/2007	
D553,129	S	10/2007	Andre et al.	JP	D1313431	10/2007	
7,281,214	B2 *	10/2007	Fadell 715/745	JP	30-0452305	6/2007	
D571,375	S	6/2008	Andre et al.	KR			
D593,535	S *	6/2009	Sheba et al. D14/203.7				
7,627,343	B2	12/2009	Fadell et al.				
2007/0184781	A1 *	8/2007	Huskinson 455/42				

* cited by examiner

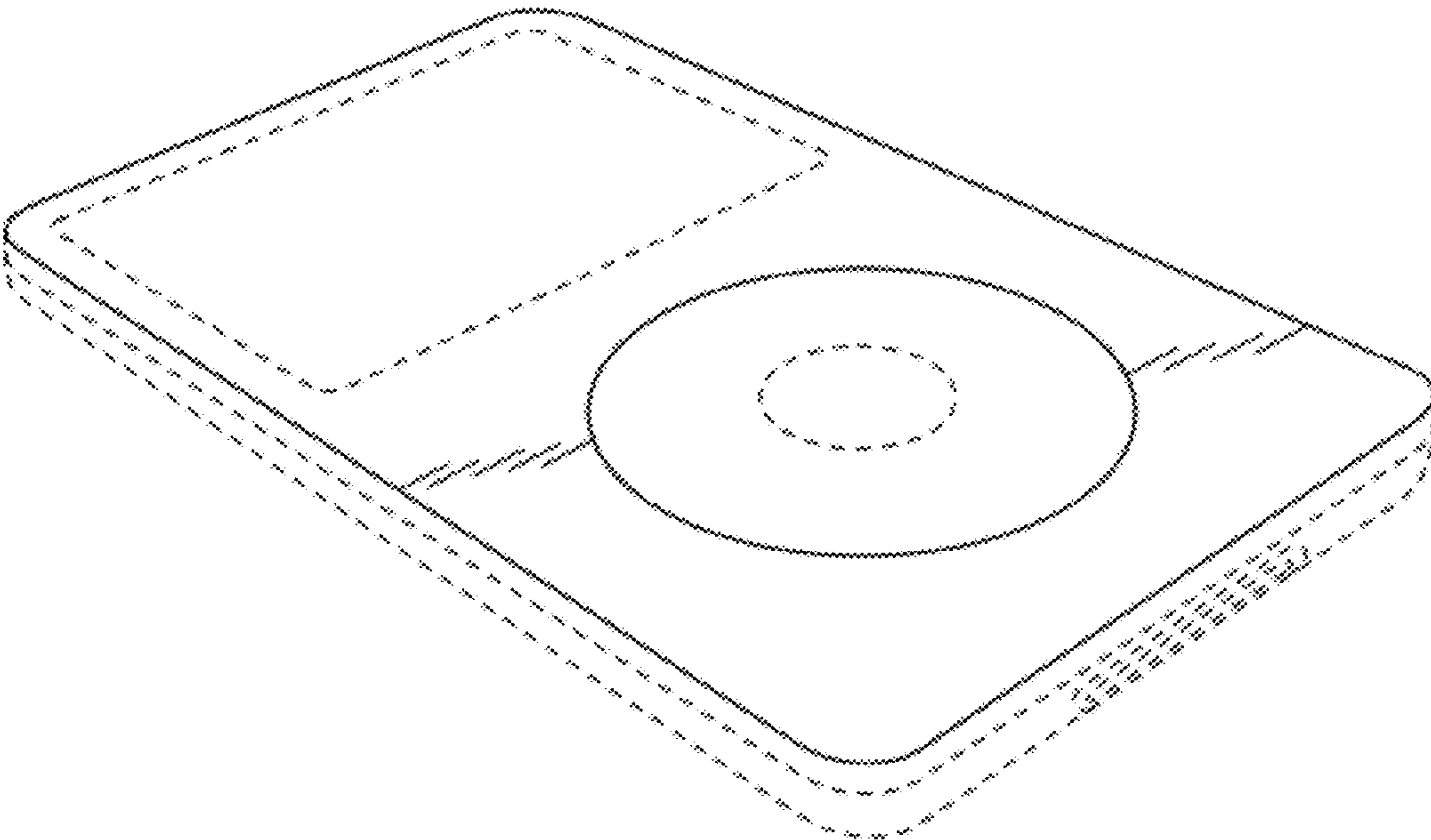


FIG. 1

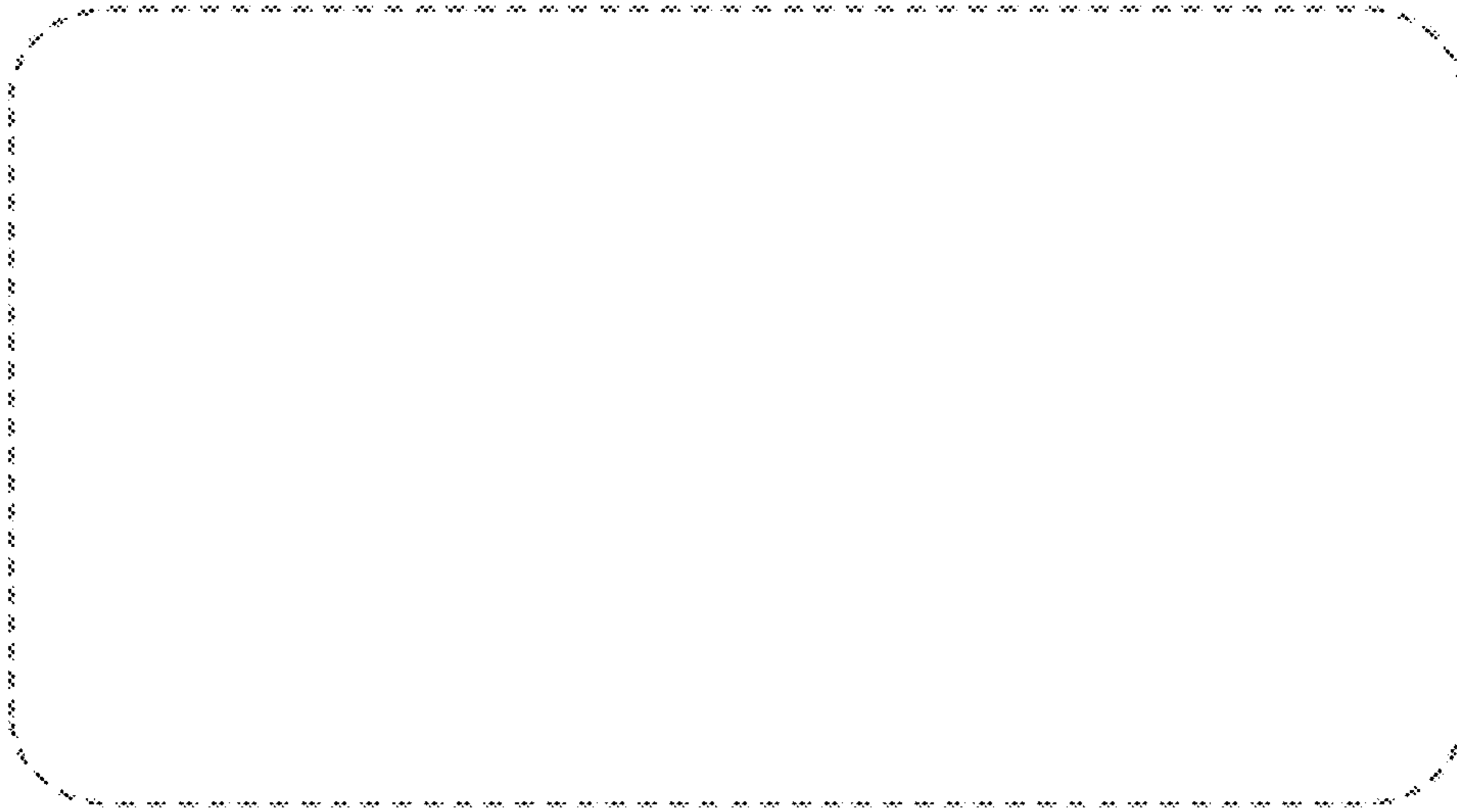


FIG. 3

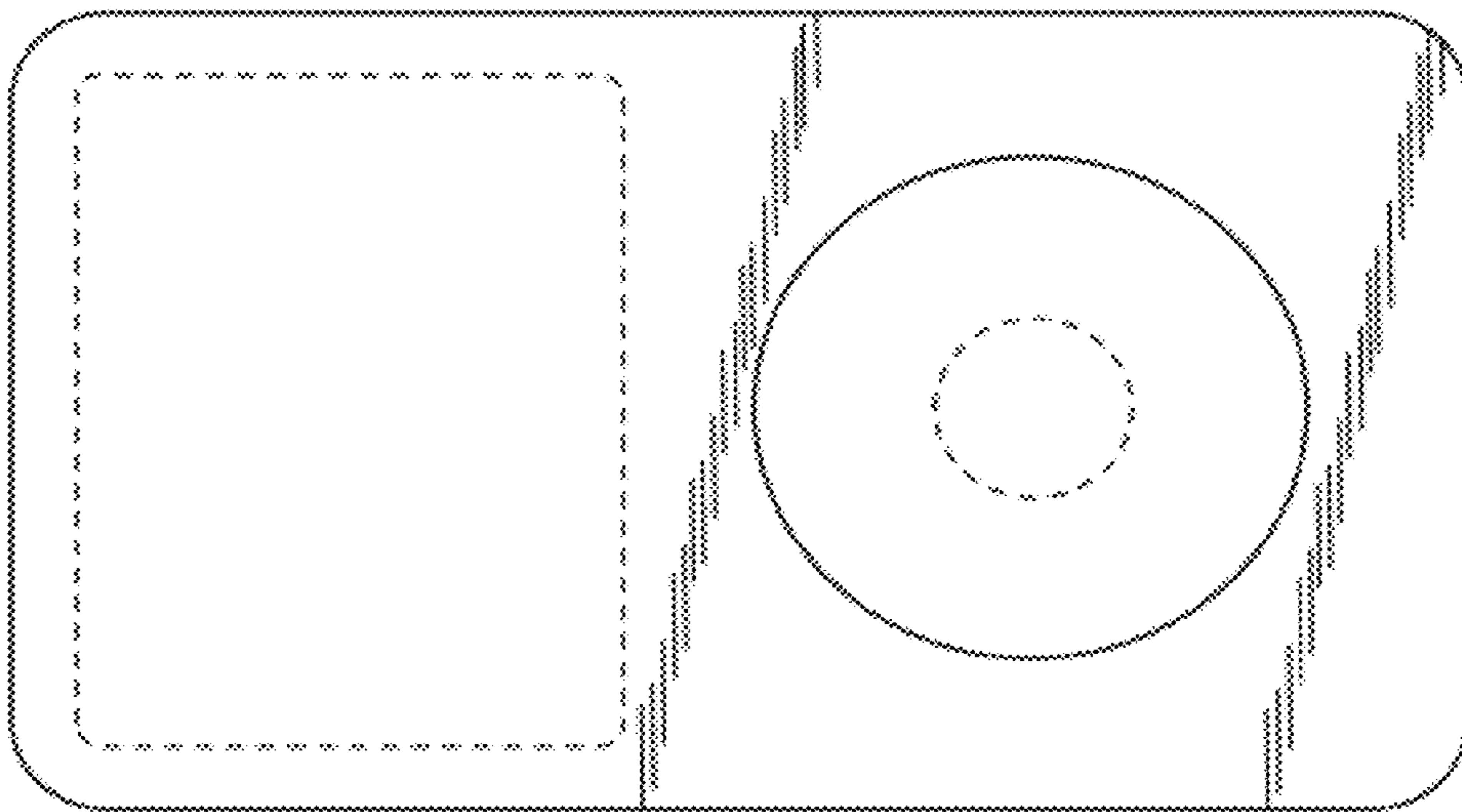


FIG. 2



FIG. 4



FIG. 5

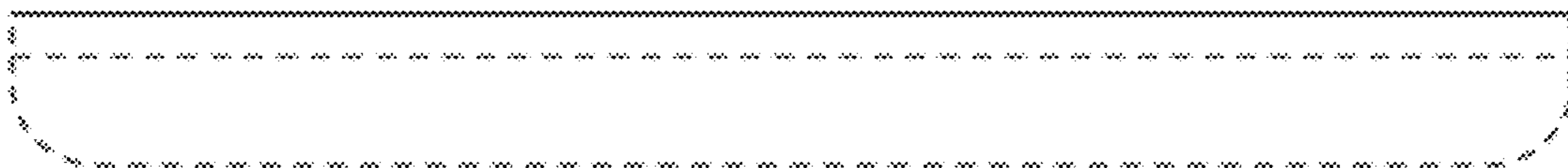


FIG. 6

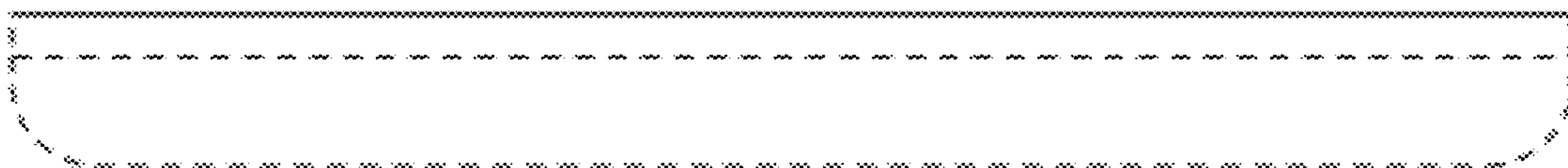


FIG. 7

UNITED STATES PATENT AND TRADEMARK OFFICE
CERTIFICATE OF CORRECTION

PATENT NO. : D665,820 S
APPLICATION NO. : 29/414616
DATED : August 21, 2012
INVENTOR(S) : Bartley K. Andre

Page 1 of 1

It is certified that error appears in the above-identified patent and that said Letters Patent is hereby corrected as shown below:

Title Page, item (63), Related U.S. Application Data, please change the Patent number for priority Application No. 29/399,213 from Des. 654,159 to Des. 656,159.

Signed and Sealed this
Seventh Day of May, 2013



Teresa Stanek Rea
Acting Director of the United States Patent and Trademark Office