



US00D665813S

(12) **United States Design Patent**
Wylie

(10) **Patent No.:** **US D665,813 S**

(45) **Date of Patent:** **** Aug. 21, 2012**

(54) **MOUNTING SYSTEM FOR USE WITH AUDIO/VISUAL DEVICES OR THE LIKE**

(75) Inventor: **Grant Wylie**, Plainfield, IL (US)

(73) Assignee: **Peerless Industries, Inc.**, Aurora, IL (US)

(**) Term: **14 Years**

(21) Appl. No.: **29/412,933**

(22) Filed: **Feb. 9, 2012**

Related U.S. Application Data

(62) Division of application No. 29/393,796, filed on Jun. 9, 2011, now Pat. No. Des. 656,138.

(51) **LOC (9) Cl.** **08-07**

(52) **U.S. Cl.** **D14/452**

(58) **Field of Classification Search** D14/452, D14/451, 448, 447, 239; D8/349, 363, 373, D8/380; 248/917-924, 122.1, 124.1, 125.8, 248/371, 393, 157, 425, 176.1, 186.1; 361/679.02, 361/679.04, 679.05, 679.06, 679.07, 679.21, 361/679.22

See application file for complete search history.

(56) **References Cited**

U.S. PATENT DOCUMENTS

| | | | |
|--------------|---------|-----------------|--------|
| D477,325 S | 7/2003 | Theis et al. | |
| D477,606 S | 7/2003 | Theis et al. | |
| D522,009 S | 5/2006 | Chen | |
| D543,211 S | 5/2007 | Petrick et al. | |
| D558,036 S * | 12/2007 | Rogers | D8/380 |
| D558,192 S | 12/2007 | Daly et al. | |
| D565,399 S * | 4/2008 | Grey | D8/380 |
| D577,730 S | 9/2008 | Rutten | |
| D588,118 S | 3/2009 | Townsend et al. | |
| D593,104 S | 5/2009 | Gillespie | |
| D603,386 S | 11/2009 | Le | |
| D632,301 S | 2/2011 | Kasuga et al. | |

| | | | |
|-------------------|---------|-----------------|------------|
| D635,143 S | 3/2011 | Derry et al. | |
| D644,648 S | 9/2011 | Anderson et al. | |
| D646,553 S | 10/2011 | Peng et al. | |
| 8,083,189 B2 * | 12/2011 | Sun et al. | 248/122.1 |
| D652,412 S * | 1/2012 | Lozano | D14/239 |
| D656,138 S * | 3/2012 | Wylie | D14/452 |
| 8,154,885 B2 * | 4/2012 | Anderson | 361/825 |
| 2006/0284031 A1 * | 12/2006 | Whalen et al. | 248/125.8 |
| 2008/0035813 A1 * | 2/2008 | O'Keene et al. | 248/225.21 |
| 2009/0090825 A1 * | 4/2009 | Jung et al. | 248/205.1 |
| 2010/0128423 A1 * | 5/2010 | Moscovitch | 361/679.01 |

OTHER PUBLICATIONS

"Titan Ultra Slim Wall Mounts," Vivanco, http://www.vivanco.com/cgi-bin/vivanco/en_US/teaserInfo7.html, Jun. 15, 2011.

* cited by examiner

Primary Examiner — Angela J Lee

(74) *Attorney, Agent, or Firm* — Foley & Lardner LLP

(57) **CLAIM**

I claim the ornamental design for a mounting system for use with audio/visual devices or the like, as shown and described.

DESCRIPTION

FIG. 1 is a top perspective view of a mounting system for use with audio/visual devices or the like showing my new design, with break lines being included to indicate that no particular length is being claimed;

FIG. 2 is a right side elevational view thereof;

FIG. 3 is a left side elevational view thereof;

FIG. 4 is a top plan view thereof;

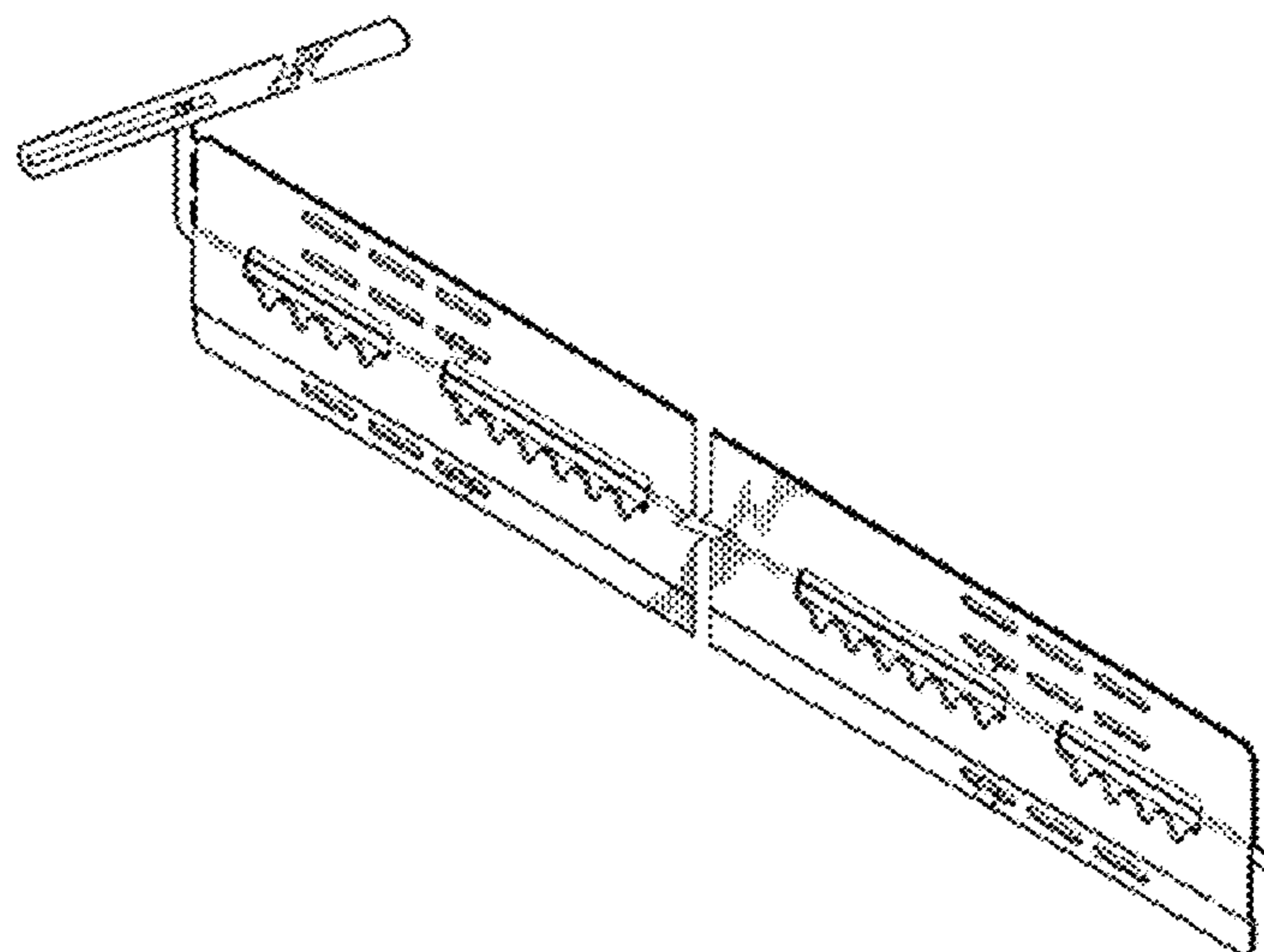
FIG. 5 is a bottom plan view thereof;

FIG. 6 is a front elevational view thereof; and,

FIG. 7 is a rear elevational view thereof.

The broken lines in the drawings are for illustrative purposes only and form no part of the claimed design. The mounting system for use with audio/visuals devices or the like is shown broken away to indicate that not particular length is being claimed.

1 Claim, 7 Drawing Sheets



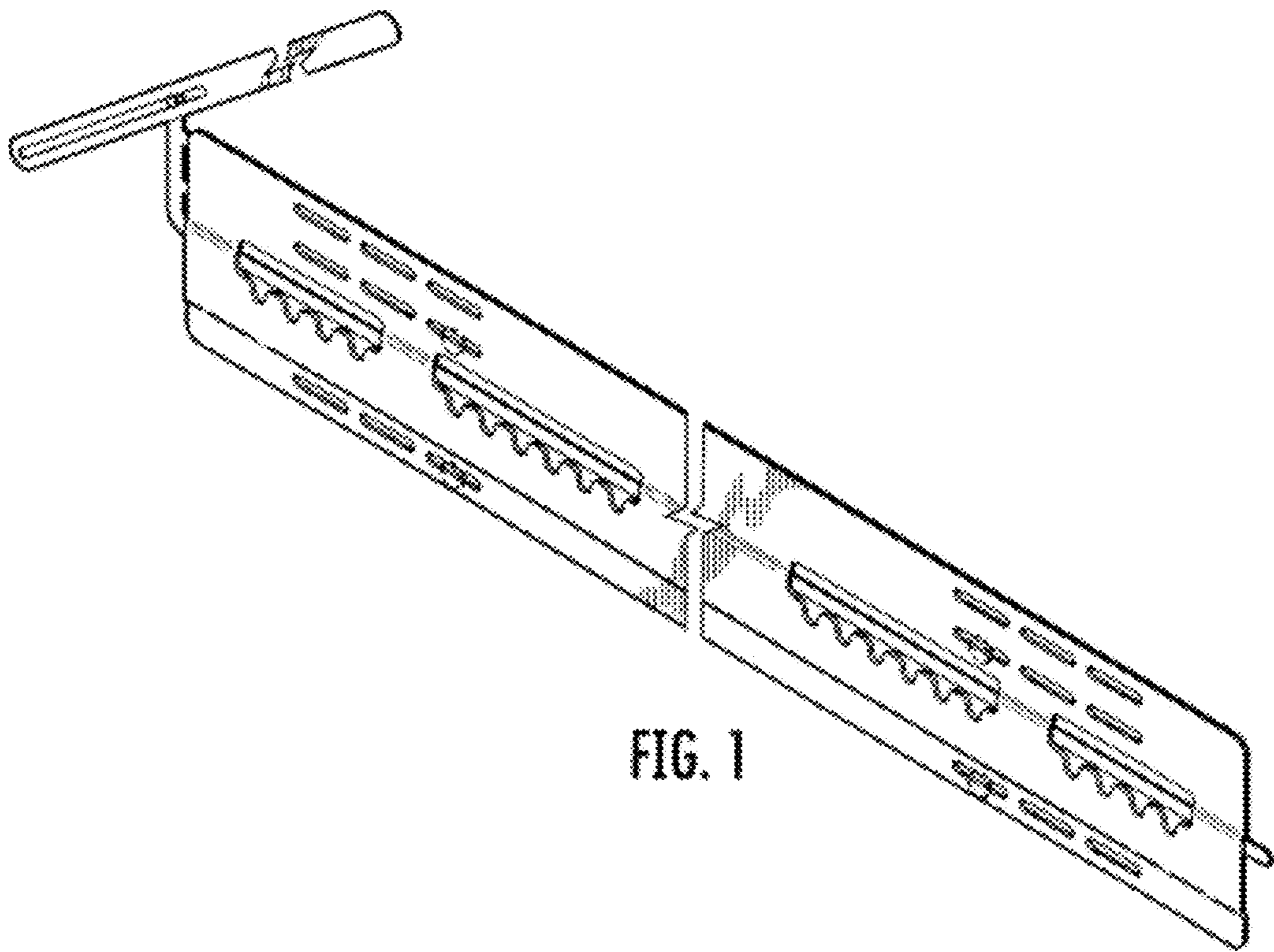


FIG. 1

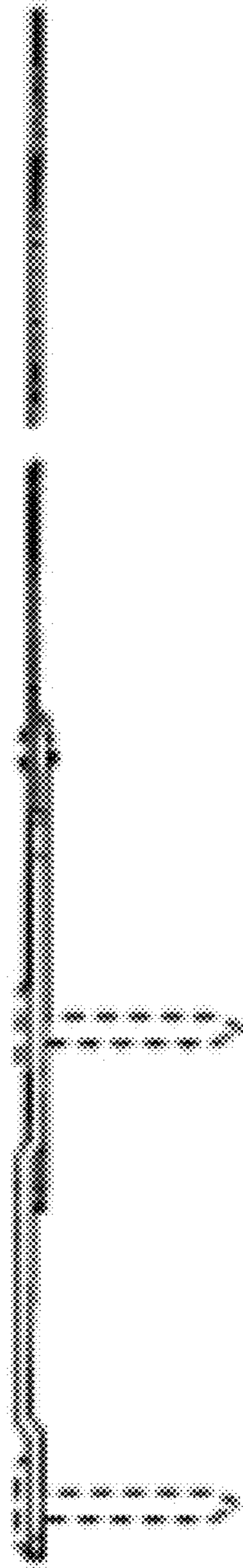


FIG. 2

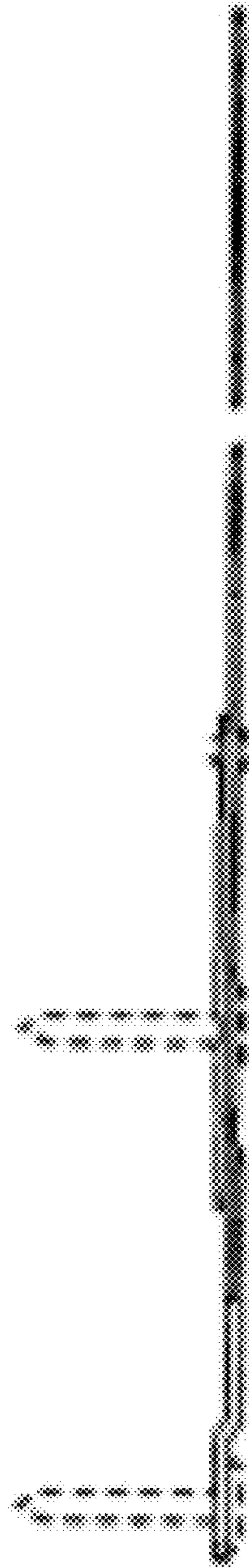


FIG. 3



FIG. 4



FIG. 5

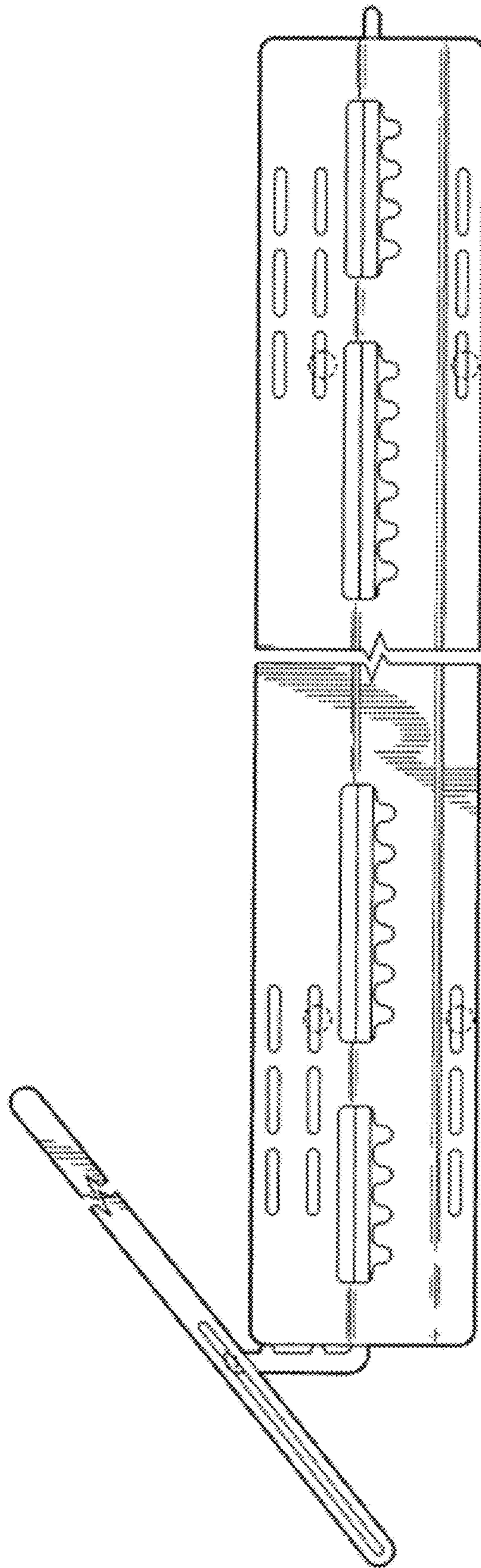


FIG. 6

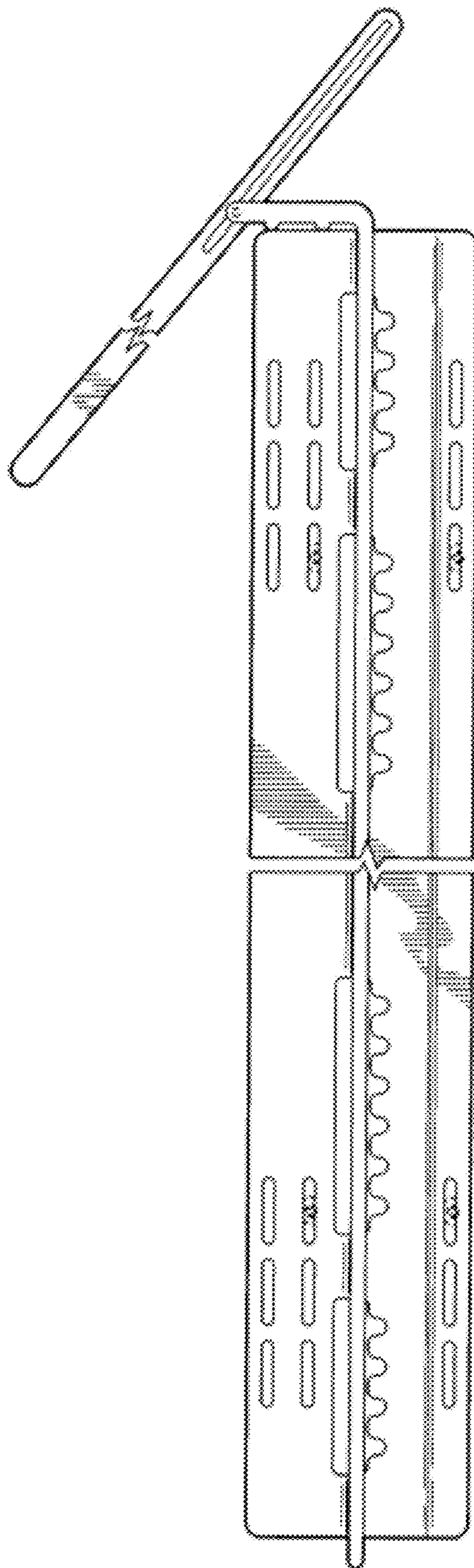


FIG. 7