

US00D665812S

(12) **United States Design Patent**  
**Huang et al.**

(10) **Patent No.:** **US D665,812 S**

(45) **Date of Patent:** **\*\* Aug. 21, 2012**

(54) **STAND**

(76) Inventors: **Te-Ming Huang**, New Taipei (TW);  
**Arthur William Schmidt, IV**, St.  
Petersburg, FL (US)

(\*\*) Term: **14 Years**

(21) Appl. No.: **29/407,244**

(22) Filed: **Nov. 25, 2011**

(51) **LOC (9) Cl.** ..... **08-07**

(52) **U.S. Cl.** ..... **D14/447**

(58) **Field of Classification Search** ..... D14/447,  
D14/432, 433, 434, 439, 448, 451, 452, 217,  
D14/239, 250, 251, 253, 238.1; D13/107,  
D13/108; D21/333; D6/300, 310, 311, 312,  
D6/406.1, 406.2, 406.3, 406.4, 406.5, 406.6,  
D6/419; D8/363, 373, 380

See application file for complete search history.

(56) **References Cited**

**U.S. PATENT DOCUMENTS**

D494,182 S *	8/2004	Singer et al. ....	D14/451
D552,611 S *	10/2007	Hagiwara et al. ....	D14/434
D557,693 S *	12/2007	Kim et al. ....	D14/251
D558,774 S *	1/2008	Najima ....	D14/447

D599,801 S *	9/2009	Skaf et al. ....	D14/434
D603,840 S *	11/2009	Lee et al. ....	D14/217
D642,519 S *	8/2011	Woo et al. ....	D13/108
D647,520 S *	10/2011	Wikel ....	D14/253
D650,783 S *	12/2011	Ausfeld et al. ....	D14/434
D652,834 S *	1/2012	Jones et al. ....	D14/434
D658,167 S *	4/2012	Buesseler et al. ....	D14/251
8,162,283 B1 *	4/2012	Royz et al. ....	248/455
2012/0074286 A1 *	3/2012	Chou ....	248/346.03

\* cited by examiner

*Primary Examiner* — Angela J Lee

(74) *Attorney, Agent, or Firm* — Lin & Associates IP, Inc.

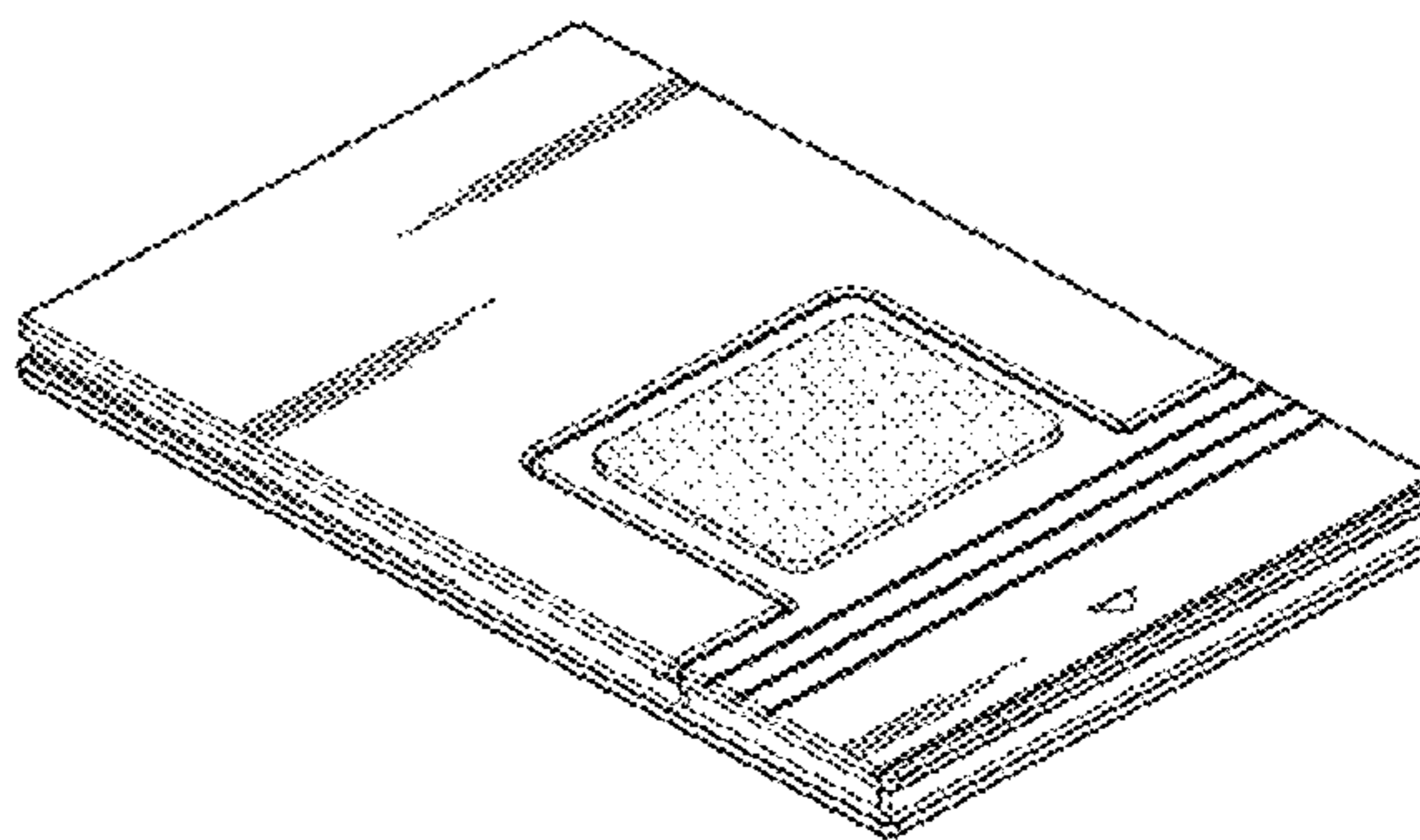
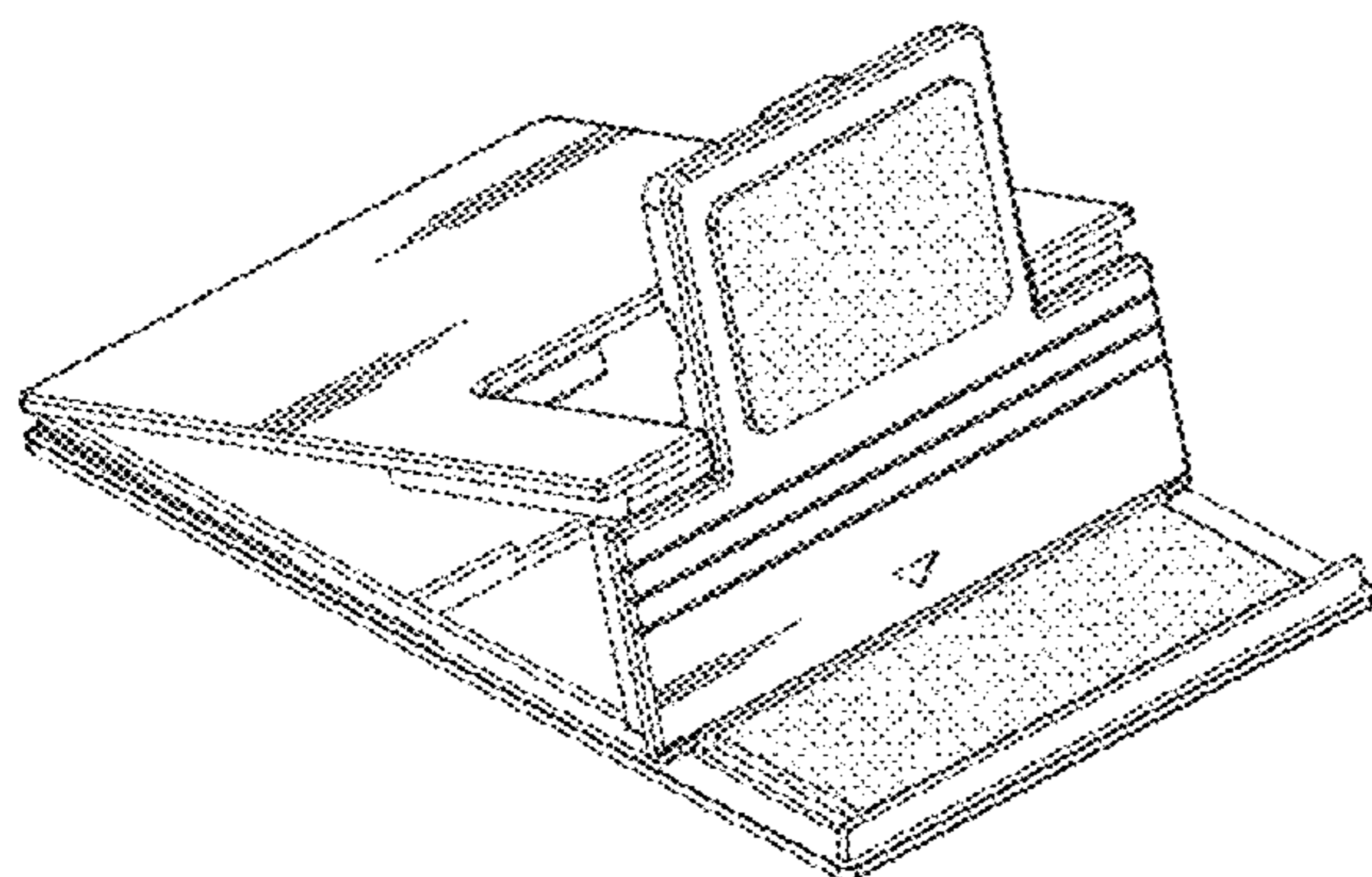
(57) **CLAIM**

The ornamental design for a stand, as shown and described.

**DESCRIPTION**

FIG. 1 is a perspective view of a stand showing my new design;  
FIG. 2 is a front elevational view thereof;  
FIG. 3 is a rear elevational view thereof;  
FIG. 4 is a left elevational view thereof;  
FIG. 5 is a right elevational view thereof;  
FIG. 6 is a top view thereof;  
FIG. 7 is a bottom view thereof; and,  
FIG. 8 is a perspective view of the stand showing a folded state thereof.

**1 Claim, 8 Drawing Sheets**



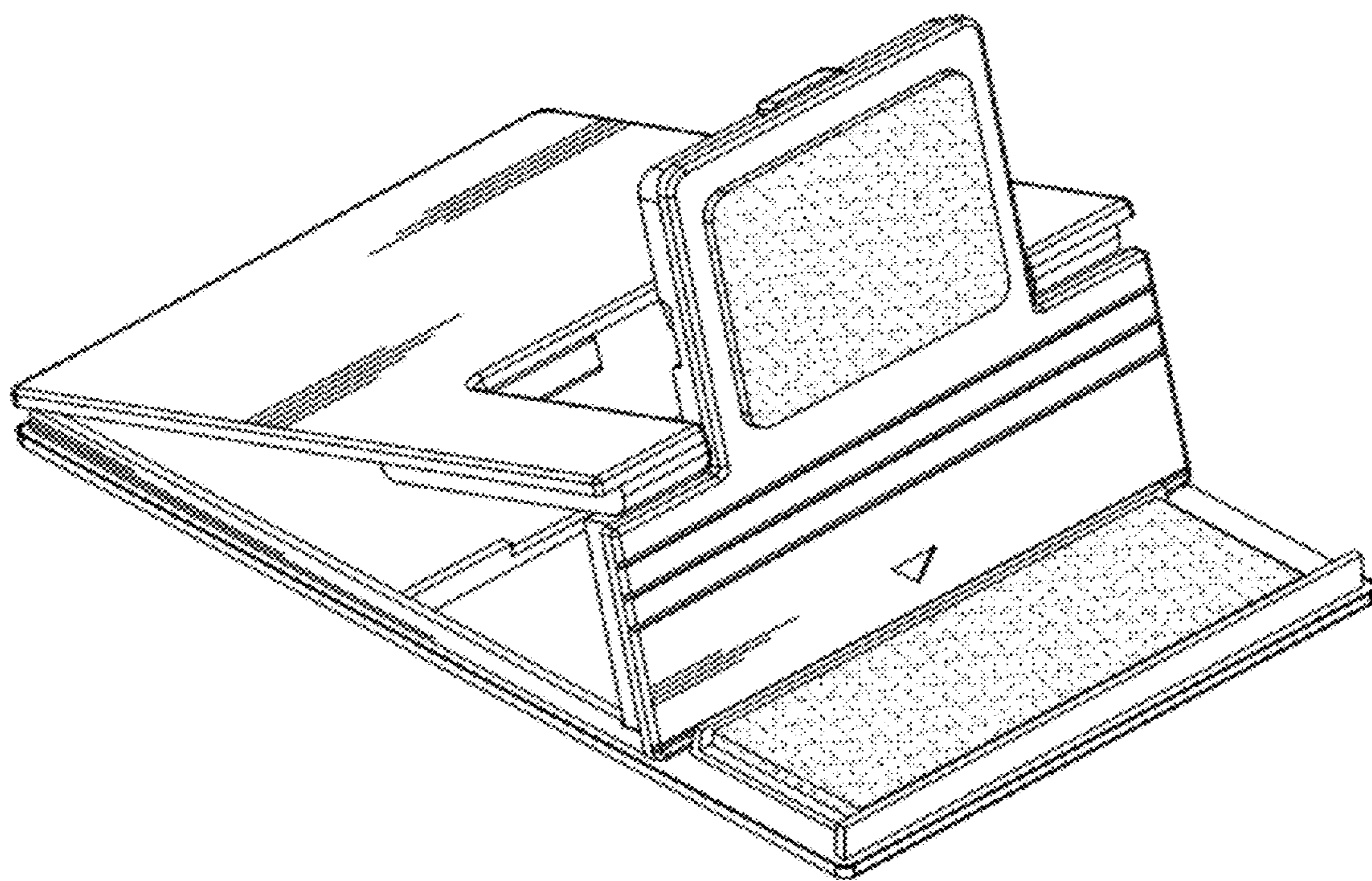
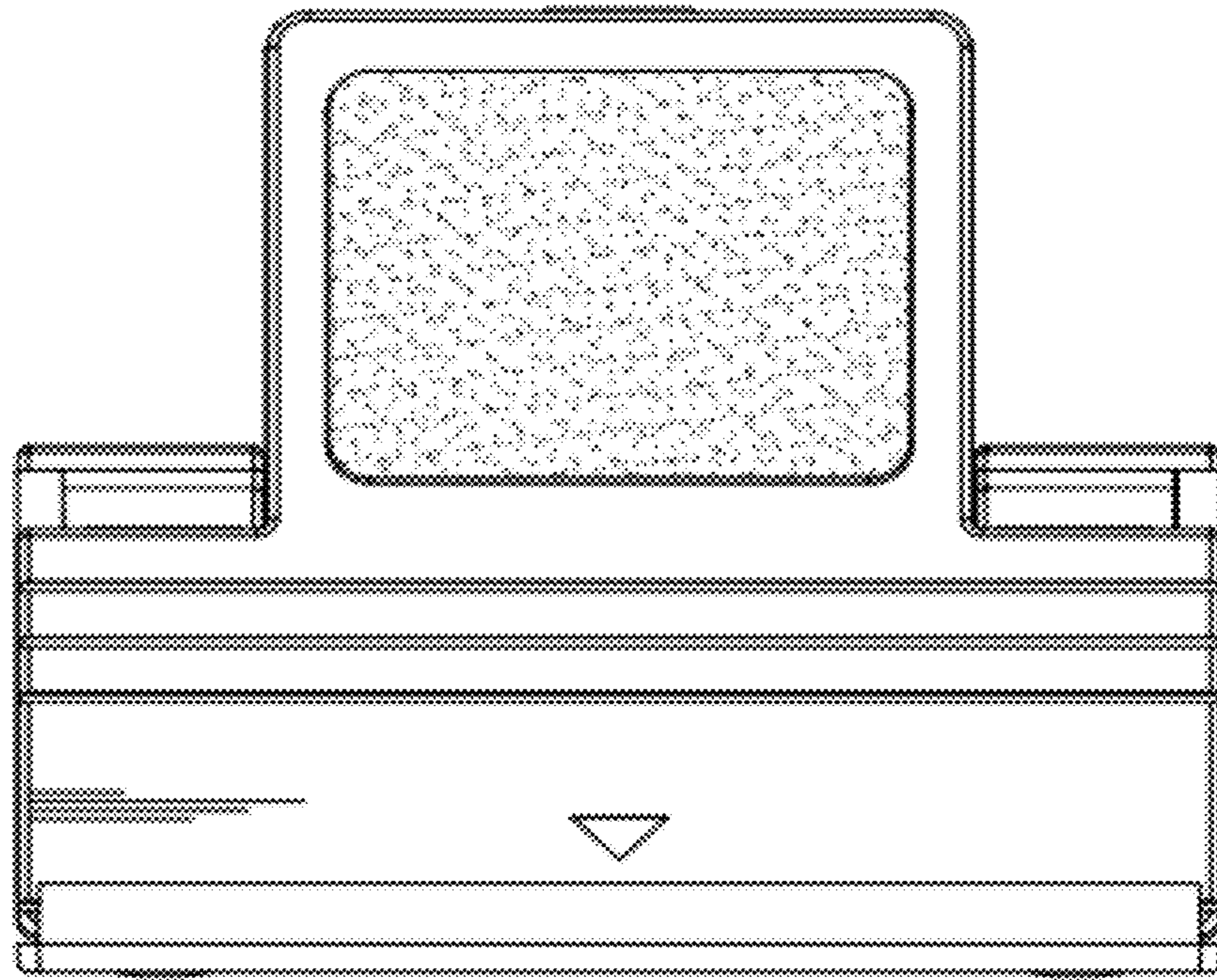
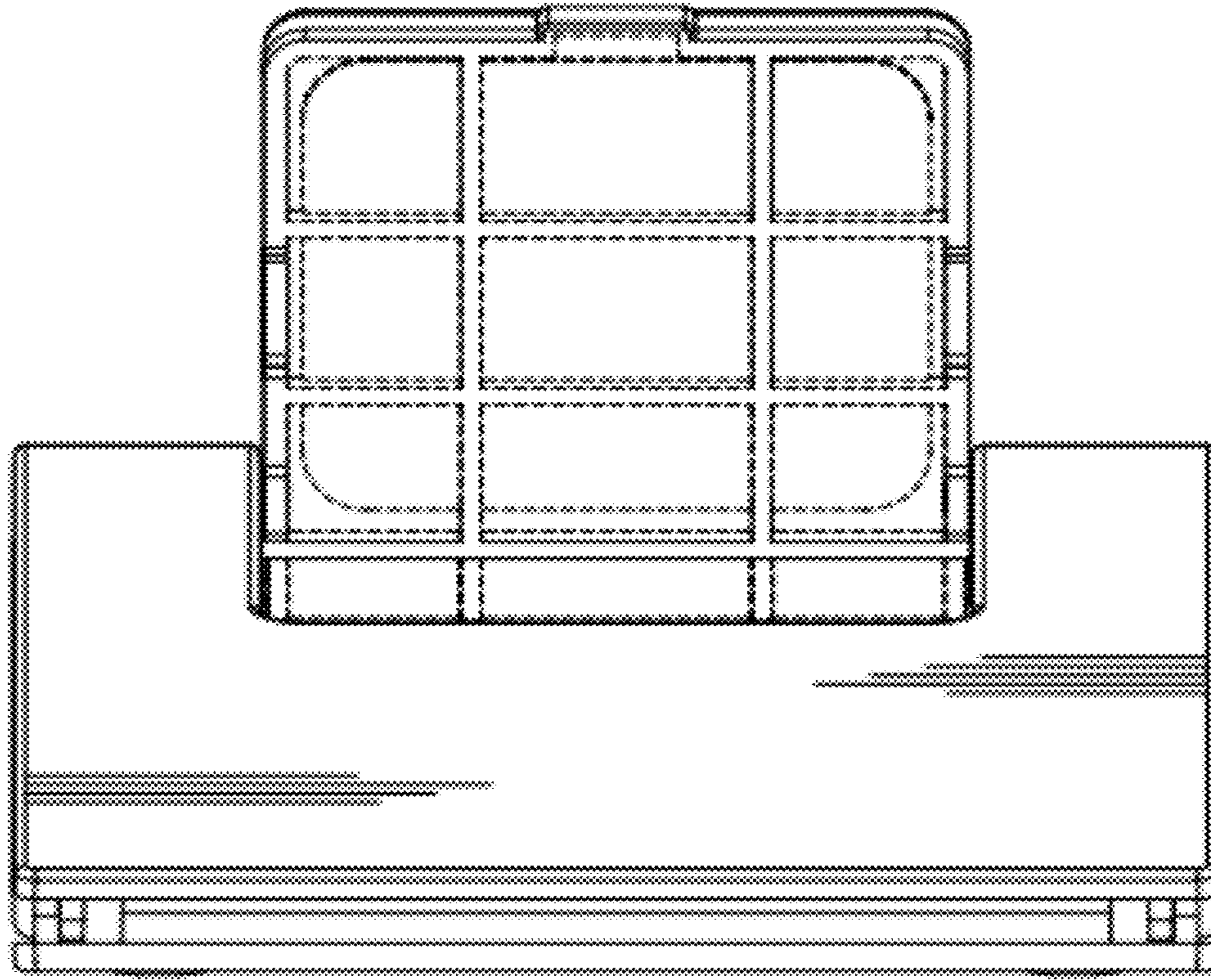


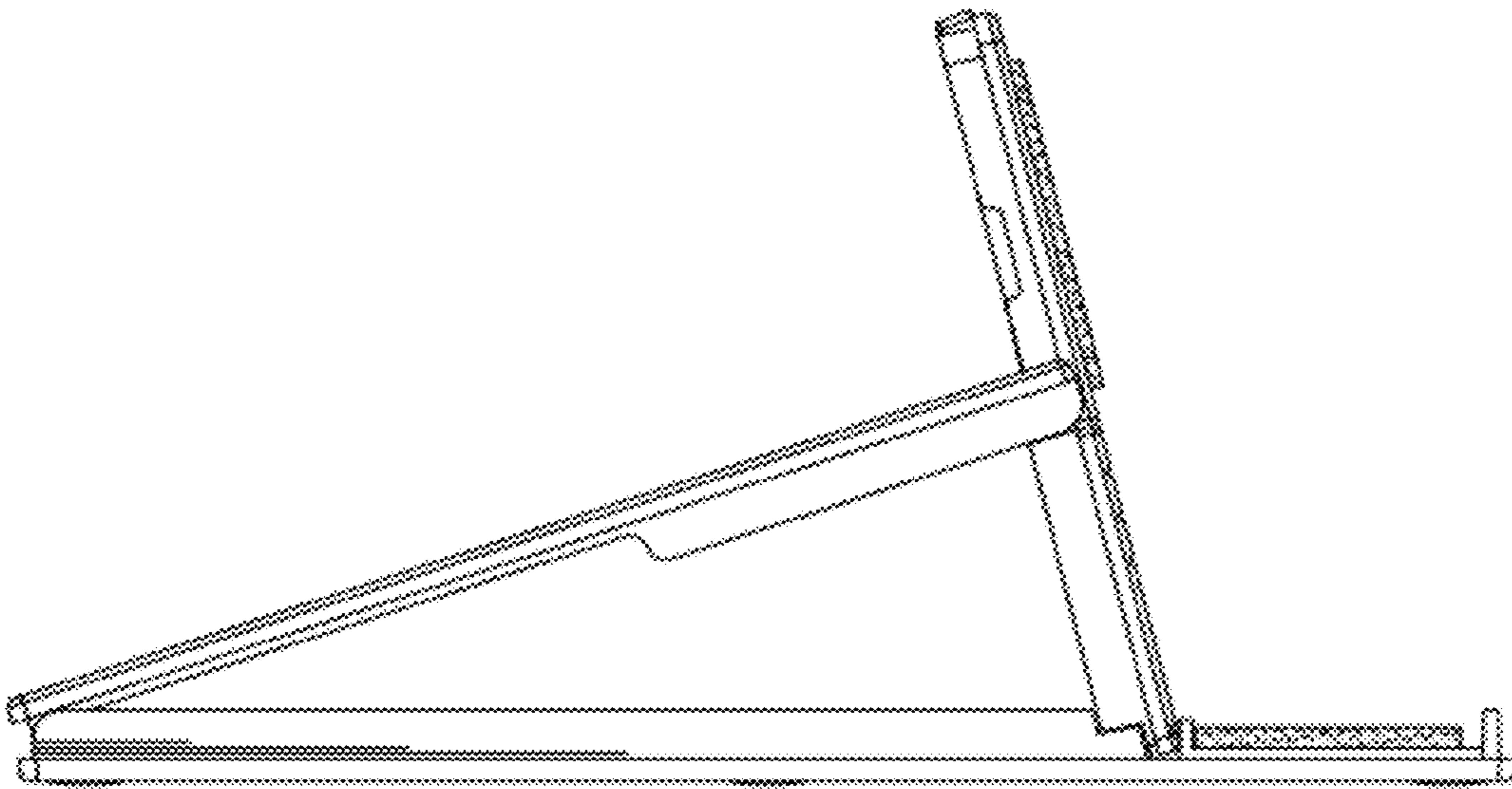
FIG. 1



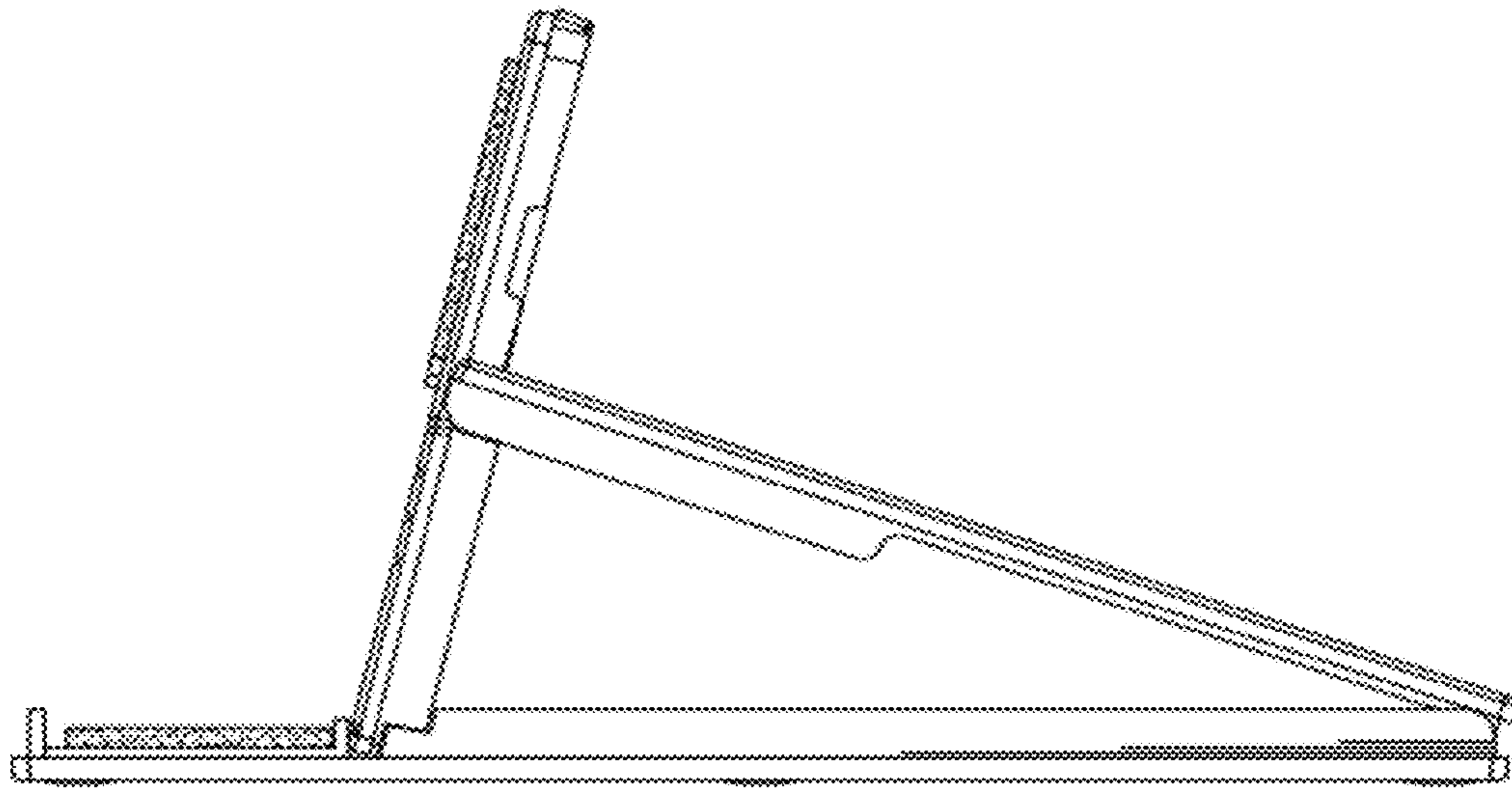
**FIG. 2**



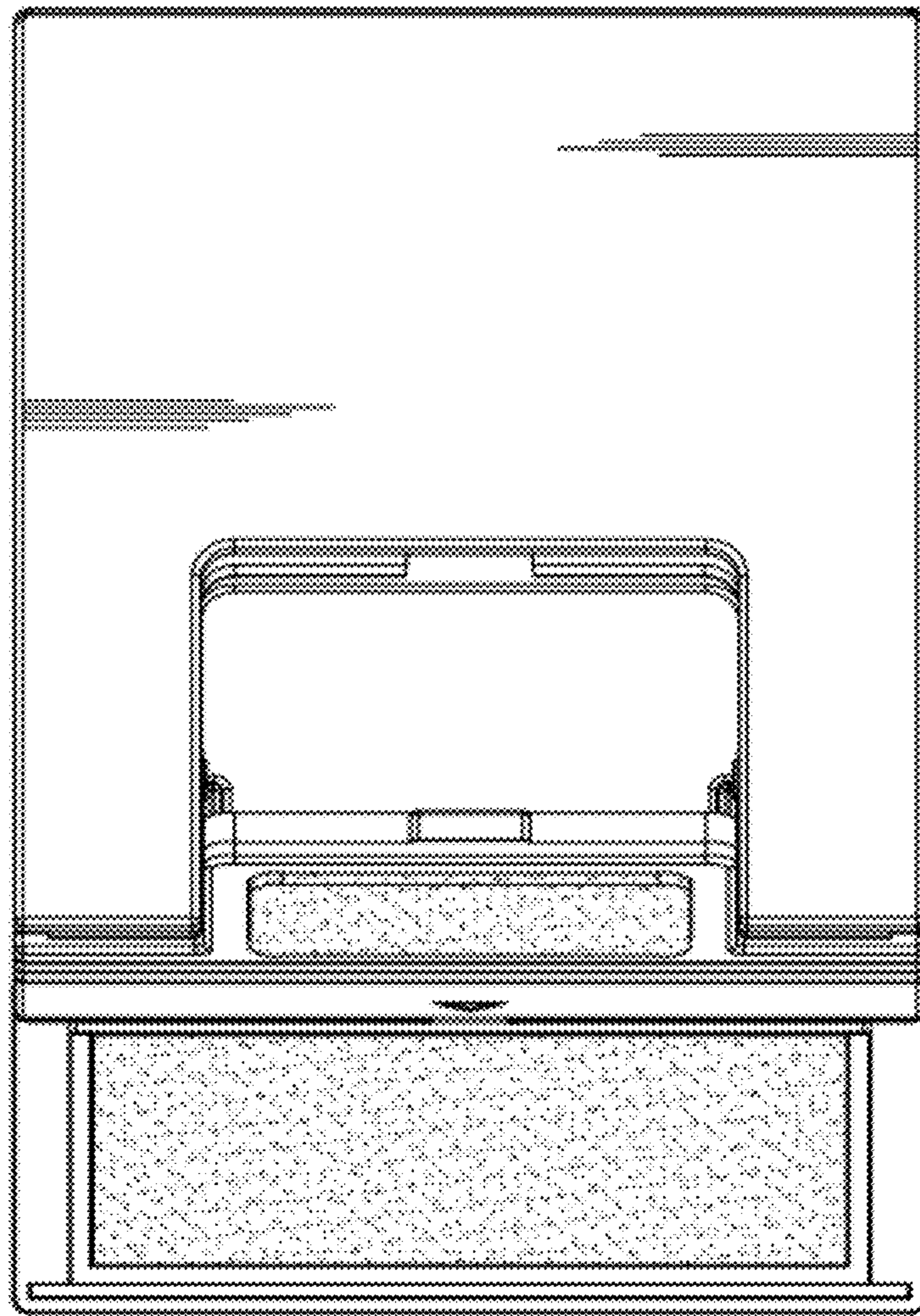
**FIG. 3**



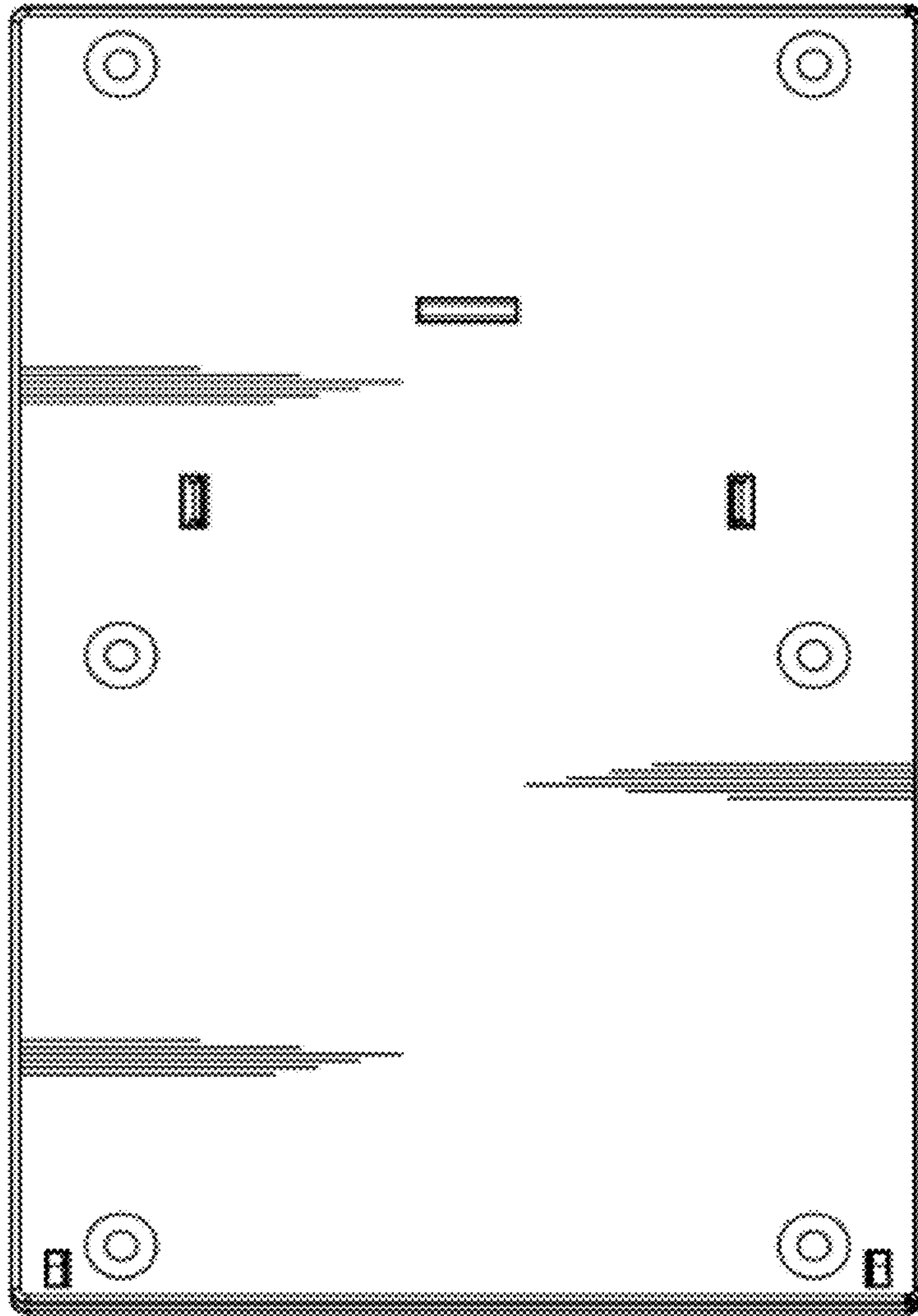
**FIG. 4**



**FIG. 5**



**FIG. 6**



**FIG. 7**



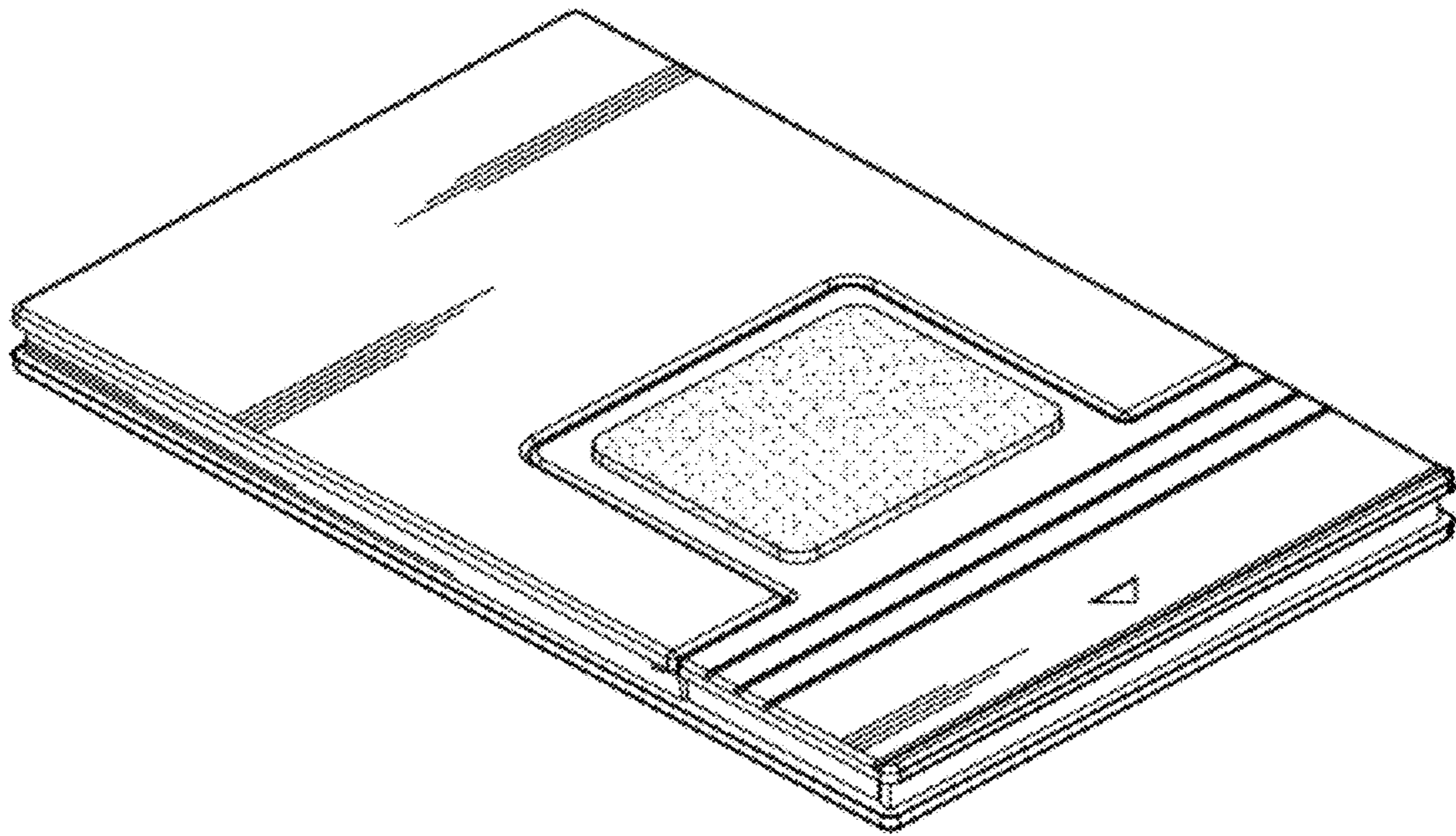


FIG. 8