

US00D665811S

(12) **United States Design Patent**  
**Chen**

(10) **Patent No.:** **US D665,811 S**

(45) **Date of Patent:** **\*\* Aug. 21, 2012**

(54) **COMPUTER FRONT BEZEL**

(75) Inventor: **Chang-Gui Chen**, Shenzhen (CN)

(73) Assignee: **Hon Hai Precision Industry Co., Ltd.**,  
Tu-Cheng, New Taipei (TW)

(\*\*) Term: **14 Years**

(21) Appl. No.: **29/399,663**

(22) Filed: **Aug. 17, 2011**

(51) **LOC (9) Cl.** ..... **14-02**

(52) **U.S. Cl.** ..... **D14/445**

(58) **Field of Classification Search** ..... D14/441-446,  
D14/356, 313, 360-368; D13/162, 184,  
D13/199; 312/223.2; 361/679.22, 679.31-679.39;  
369/34.01, 36.01

See application file for complete search history.

(56) **References Cited**

**U.S. PATENT DOCUMENTS**

- 5,547,272 A \* 8/1996 Paterson et al. .... 312/223.2
- D431,245 S \* 9/2000 Searby et al. .... D14/445
- D514,113 S \* 1/2006 McClelland, II ..... D14/445
- D522,006 S \* 5/2006 McClelland et al. .... D14/445

- D550,675 S \* 9/2007 Chen et al. .... D14/445
- D561,772 S \* 2/2008 Deng ..... D14/444
- D592,668 S \* 5/2009 Wang et al. .... D14/444

\* cited by examiner

*Primary Examiner* — Freda S Nunn

(74) *Attorney, Agent, or Firm* — Altis Law Group, Inc.

(57) **CLAIM**

The ornamental design for a computer front bezel, as shown and described.

**DESCRIPTION**

FIG. 1 is a perspective view of the computer front bezel showing our new design;

FIG. 2 is a front elevational view thereof;

FIG. 3 is a rear elevational view thereof;

FIG. 4 is a left side elevational view thereof;

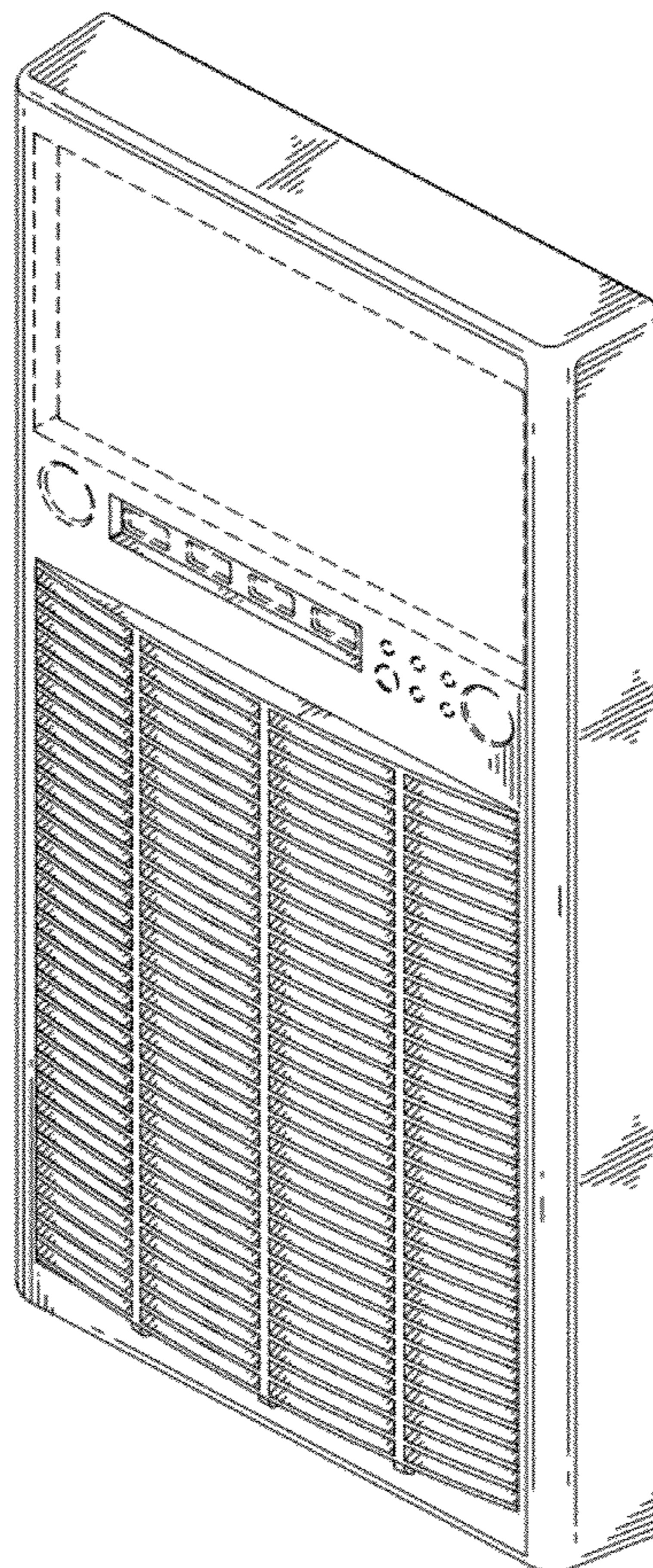
FIG. 5 is a right side elevational view thereof;

FIG. 6 is a top plan view thereof; and,

FIG. 7 is a bottom plan view thereof.

The broken lines showing of portions of the computer front bezel are for the purpose of illustrating environmental structure and form no part of the claimed design.

**1 Claim, 7 Drawing Sheets**





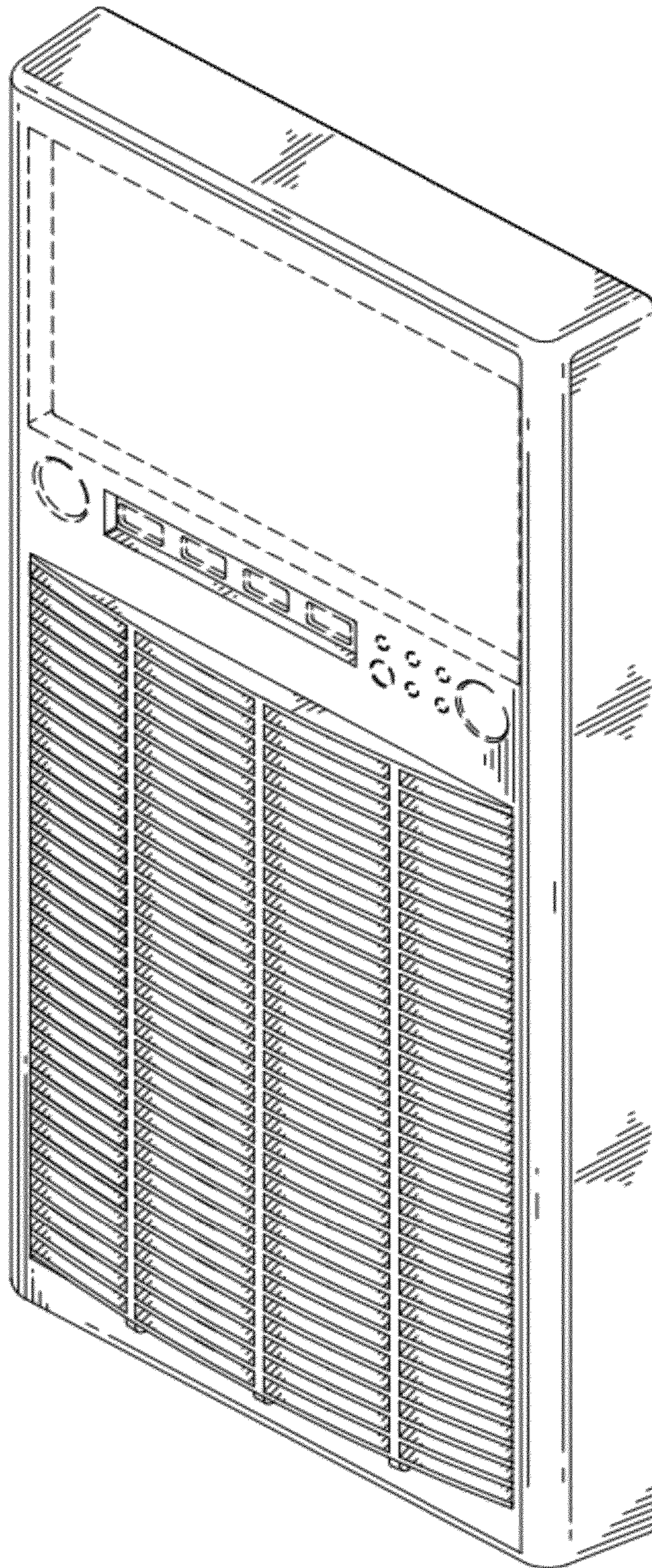


FIG. 1



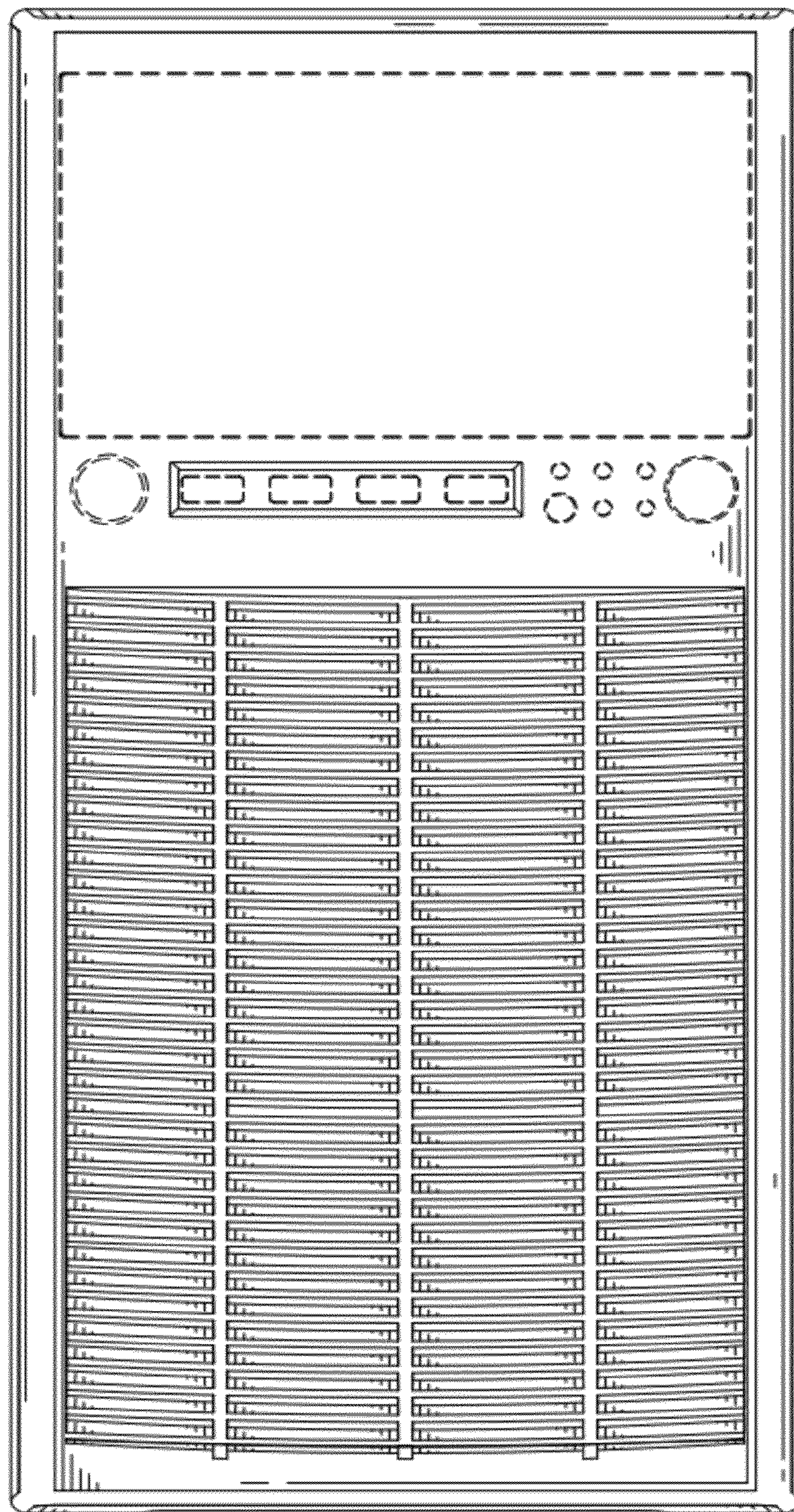


FIG. 2



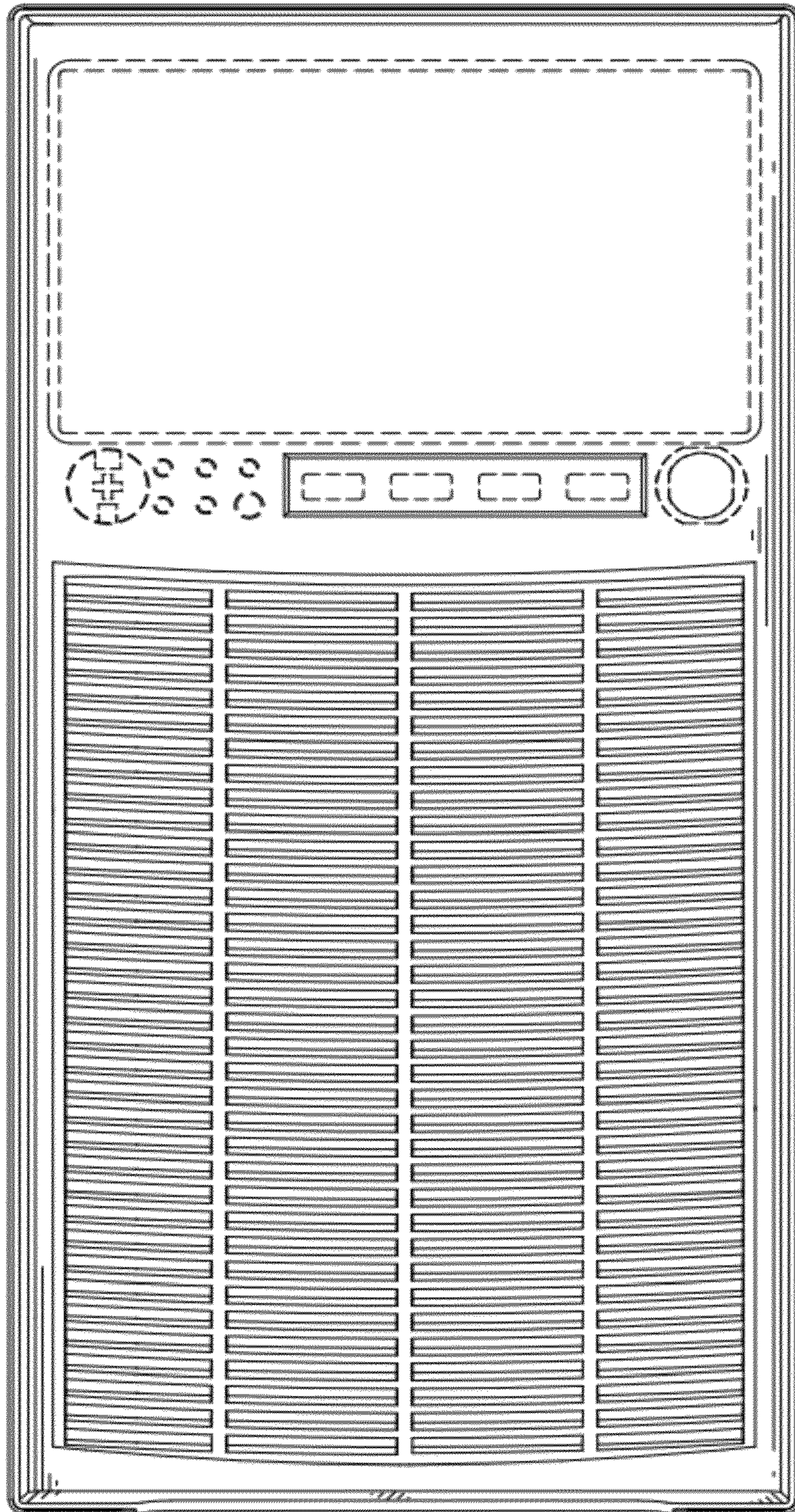


FIG. 3



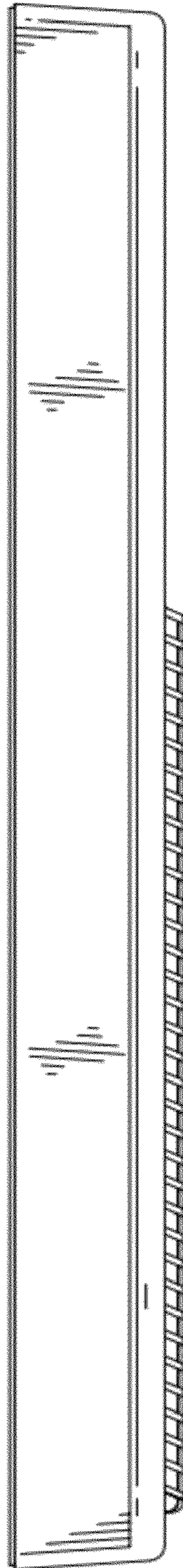


FIG. 4

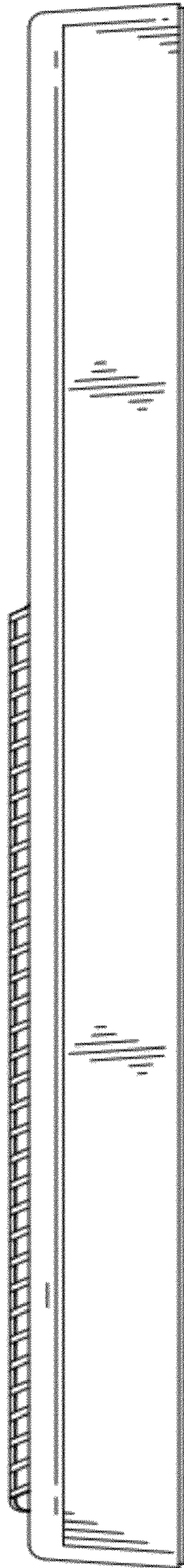


FIG. 5

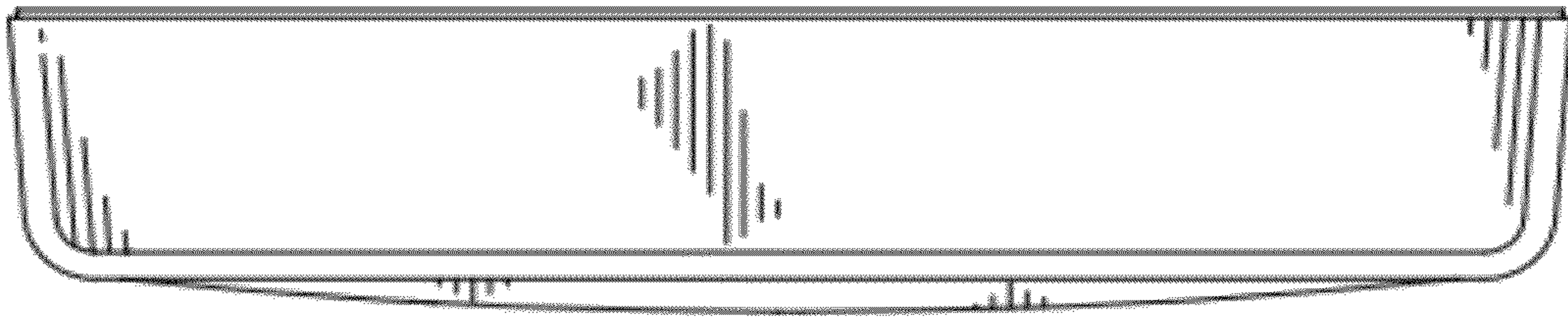


FIG. 6

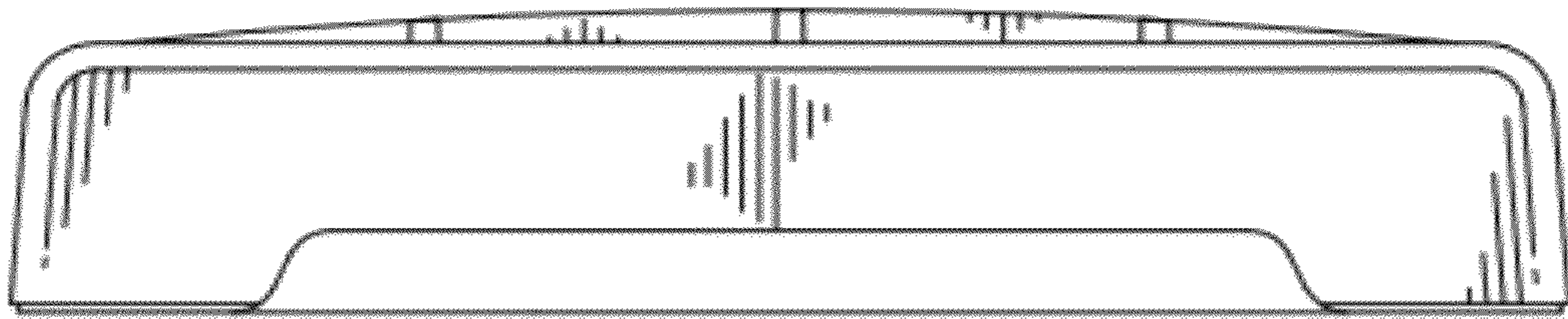


FIG. 7