

US00D665809S

(12) **United States Design Patent**
Wang et al.

(10) **Patent No.:** **US D665,809 S**

(45) **Date of Patent:** **** Aug. 21, 2012**

(54) **DISPLAY SCREEN**

(75) Inventors: **Ren-Bo Wang**, Shenzhen (CN); **Xin-Wu Guan**, Shenzhen (CN); **Po-Feng Ho**, New Taipei (TW); **Wu-Zheng Ou**, New Taipei (TW)

(73) Assignee: **FIH (Hong Kong) Limited**, Kowloon (HK)

(**) Term: **14 Years**

(21) Appl. No.: **29/413,068**

(22) Filed: **Feb. 10, 2012**

(51) **LOC (9) Cl.** **14-02**

(52) **U.S. Cl.** **D14/439; D14/248**

(58) **Field of Classification Search** D14/341-347, D14/424, 425, 432-453, 464, 468, 469, 471, D14/496, 511, 138 AA, 138 AD, 138 C, 138 G, D14/203.1-203.8, 217, 238.1, 248, 250, 257, D14/299; 361/679.01, 679.02, 679.03, 679.3, 361/679.55, 679.56; 455/550.1, 556.1, 556.2, 455/575.1, 575.3-575.5, 575.8, 90.3; D9/456, D9/457, 434; D6/300, 314, 310; D10/65

See application file for complete search history.

(56) **References Cited**

U.S. PATENT DOCUMENTS

D305,648 S *	1/1990	Edington	D14/450
D338,194 S *	8/1993	Hartwig	D14/450
D600,690 S *	9/2009	Miyaji	D14/341
D613,706 S *	4/2010	He	D14/138 AA
D613,763 S *	4/2010	Jones et al.	D14/496
D616,406 S *	5/2010	Du et al.	D14/138 AA
D616,465 S *	5/2010	Jones et al.	D14/496
D619,990 S *	7/2010	Lai	D14/138 G
D624,896 S *	10/2010	Park et al.	D14/138 G
D627,779 S *	11/2010	Liao	D14/341
D629,779 S *	12/2010	Ahn et al.	D14/138 G

D630,608 S *	1/2011	Choi et al.	D14/138 AA
D633,890 S *	3/2011	Chen	D14/138 AD
D636,750 S *	4/2011	Cigliano et al.	D14/138 AD
D636,769 S *	4/2011	Wood et al.	D14/341
D637,172 S *	5/2011	Choi et al.	D14/138 AA
D640,662 S *	6/2011	Hwang	D14/138 AD
D647,920 S *	11/2011	Luo	D14/496
D651,214 S *	12/2011	Yoo et al.	D14/448
D655,705 S *	3/2012	Matsuoka	D14/341
D657,352 S *	4/2012	Tanaka	D14/248
2007/0117598 A1 *	5/2007	Yang et al.	455/575.1
2007/0293282 A1 *	12/2007	Lewis et al.	455/575.1
2012/0063074 A1 *	3/2012	Matsuda et al.	361/679.01
2012/0063075 A1 *	3/2012	Hongo et al.	361/679.01
2012/0063077 A1 *	3/2012	Tomobe et al.	361/679.01

FOREIGN PATENT DOCUMENTS

KR 3005970900000 4/2011

* cited by examiner

Primary Examiner — Deanna L Fluegeman

(74) *Attorney, Agent, or Firm* — Altis Law Group, Inc.

(57) **CLAIM**

The ornamental design for a display screen, as shown and described.

DESCRIPTION

FIG. 1 is a perspective view of a display screen showing our new design;

FIG. 2 is a front elevational view thereof;

FIG. 3 is a rear elevational view thereof;

FIG. 4 is a left side elevational view thereof;

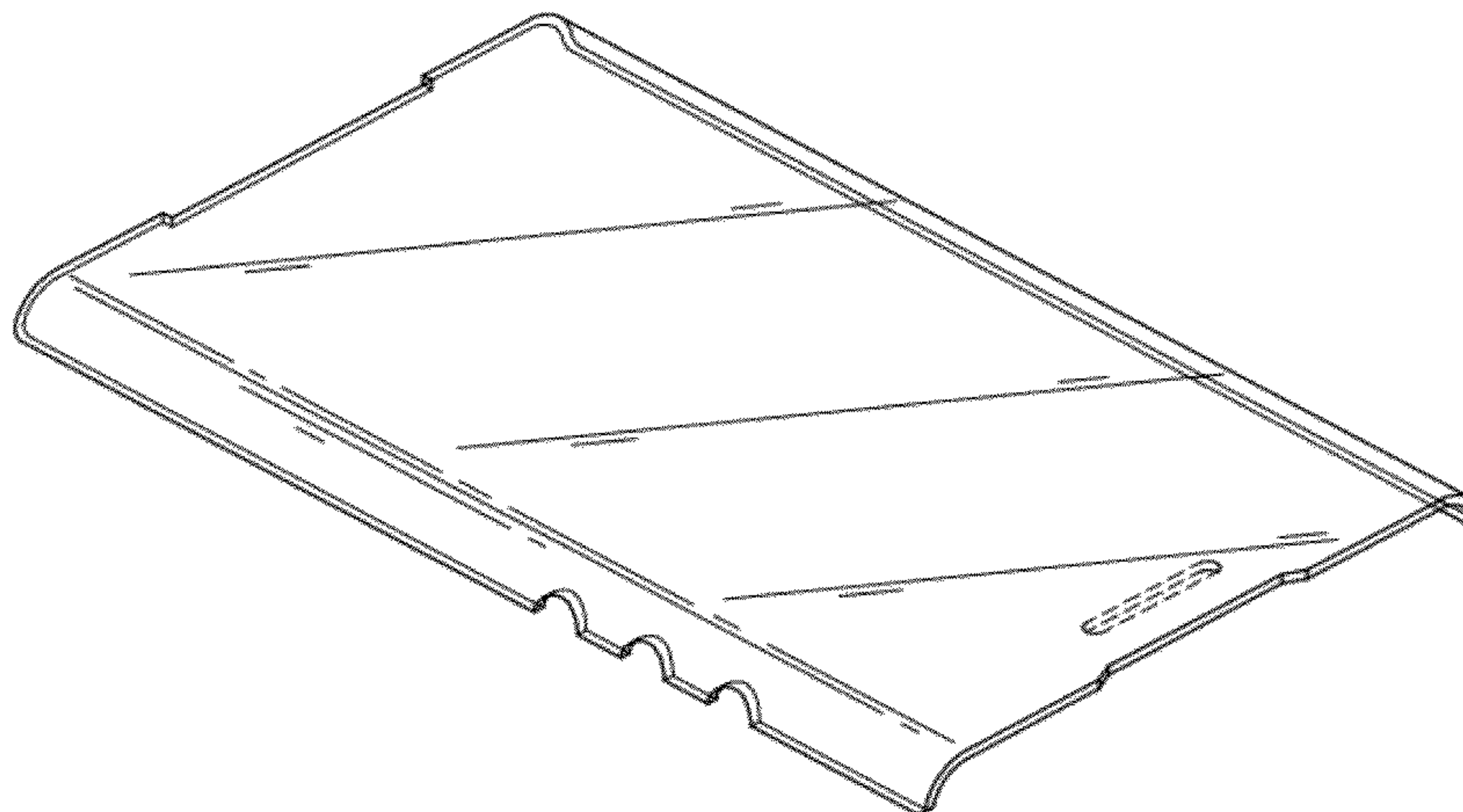
FIG. 5 is a right side elevational view thereof;

FIG. 6 is a top plan view thereof; and,

FIG. 7 is a bottom plan view thereof.

The broken lines of all the figures are for the purpose of illustrating environment and form no part of the claimed design.

1 Claim, 7 Drawing Sheets



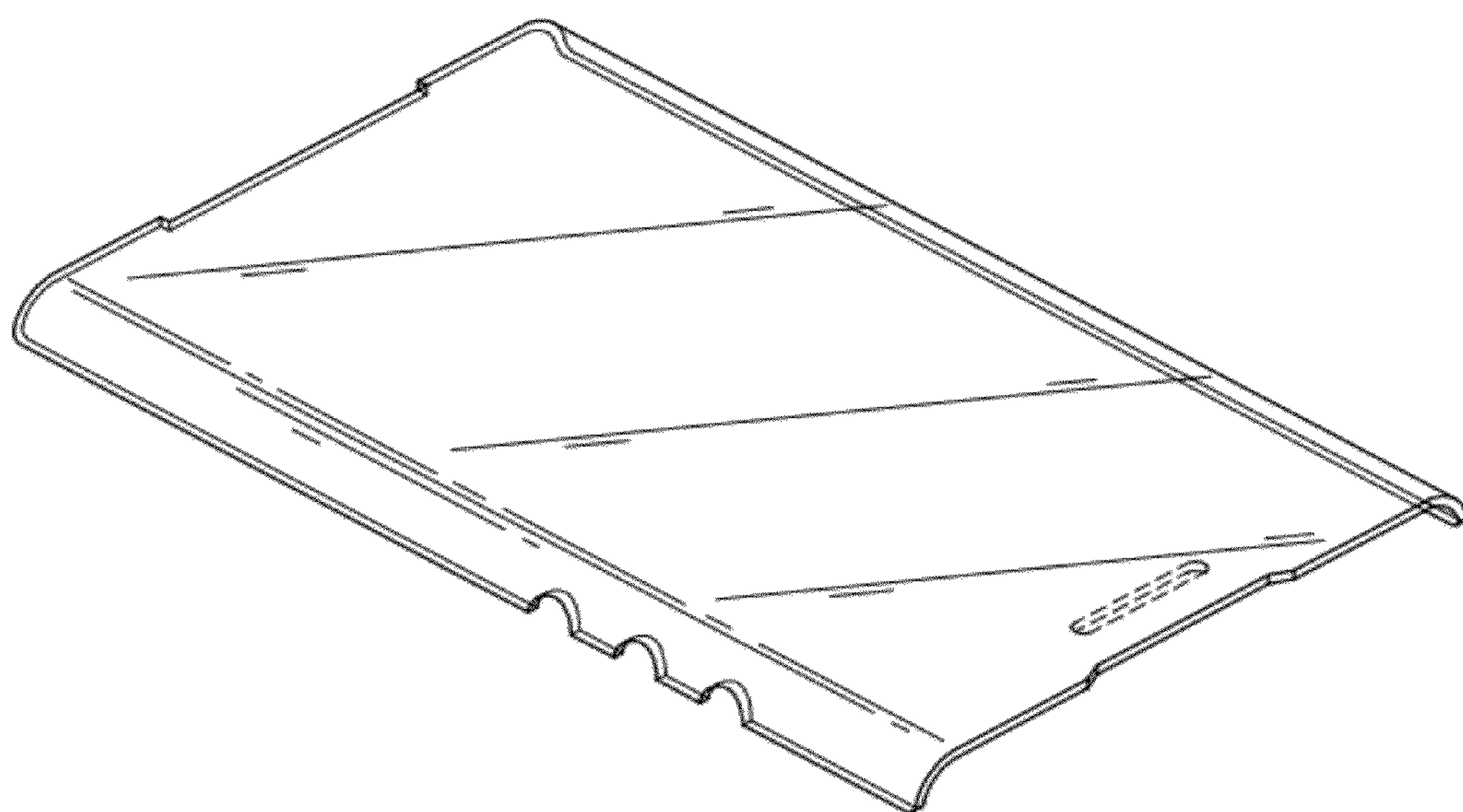


FIG. 1

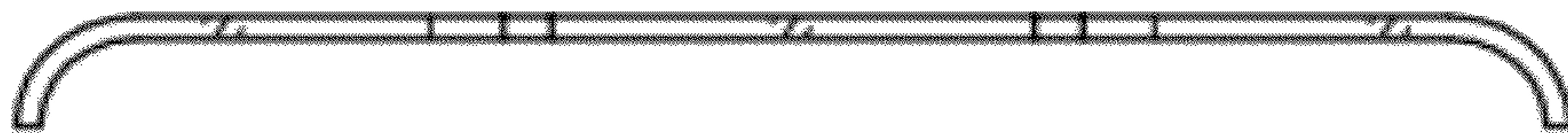


FIG. 2

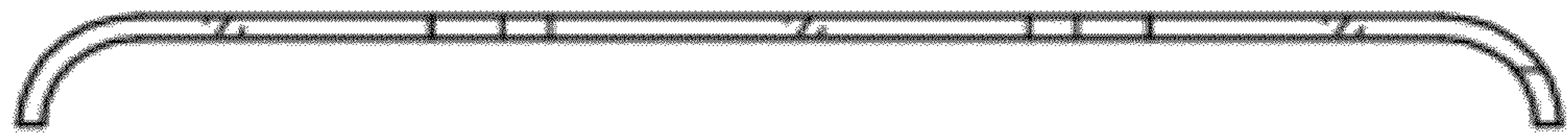


FIG. 3



FIG. 4

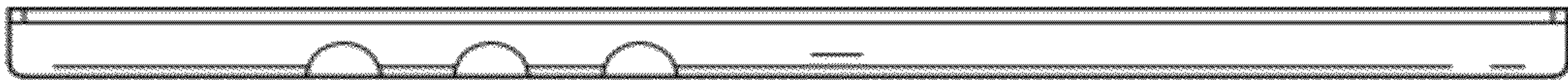


FIG. 5

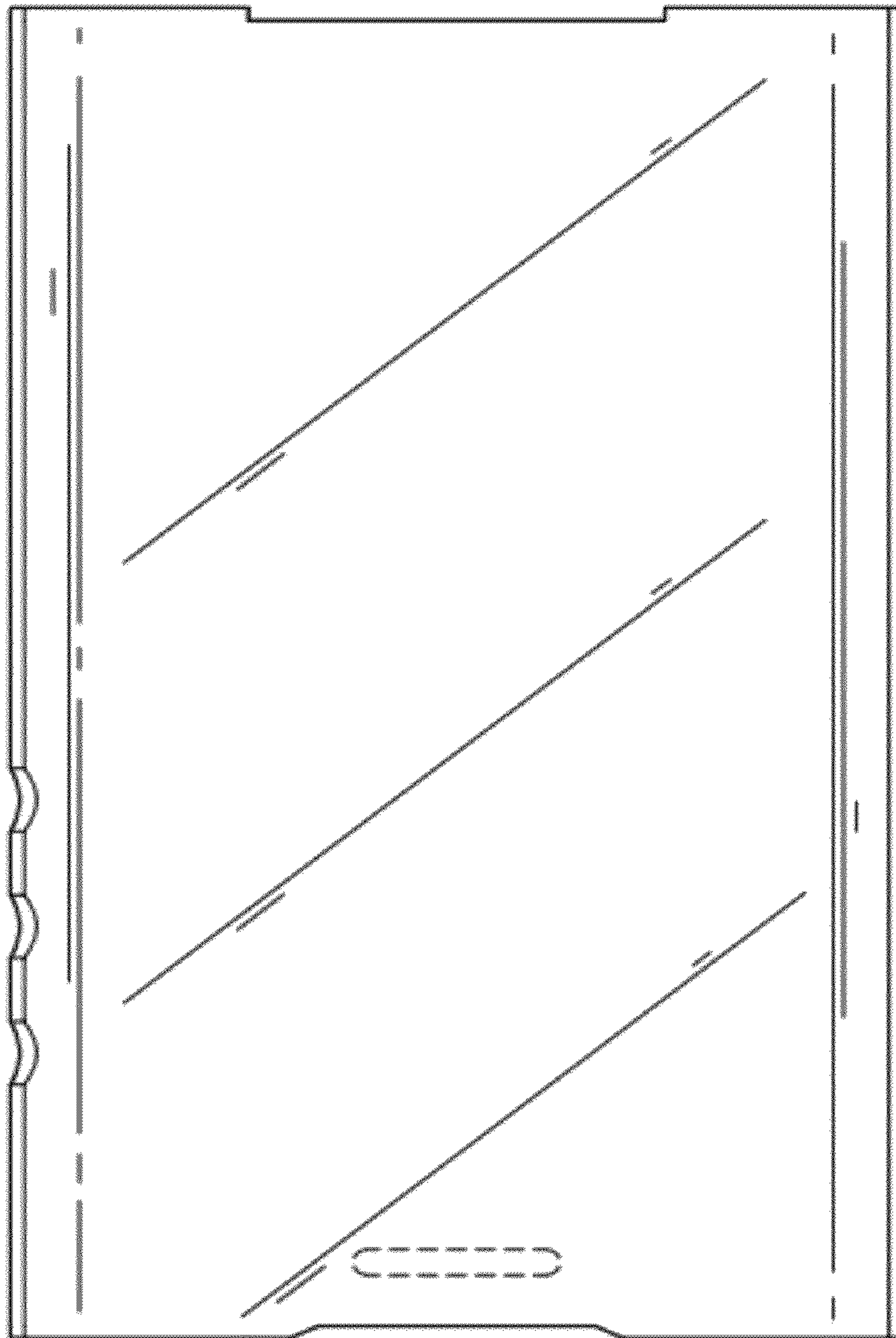


FIG. 6

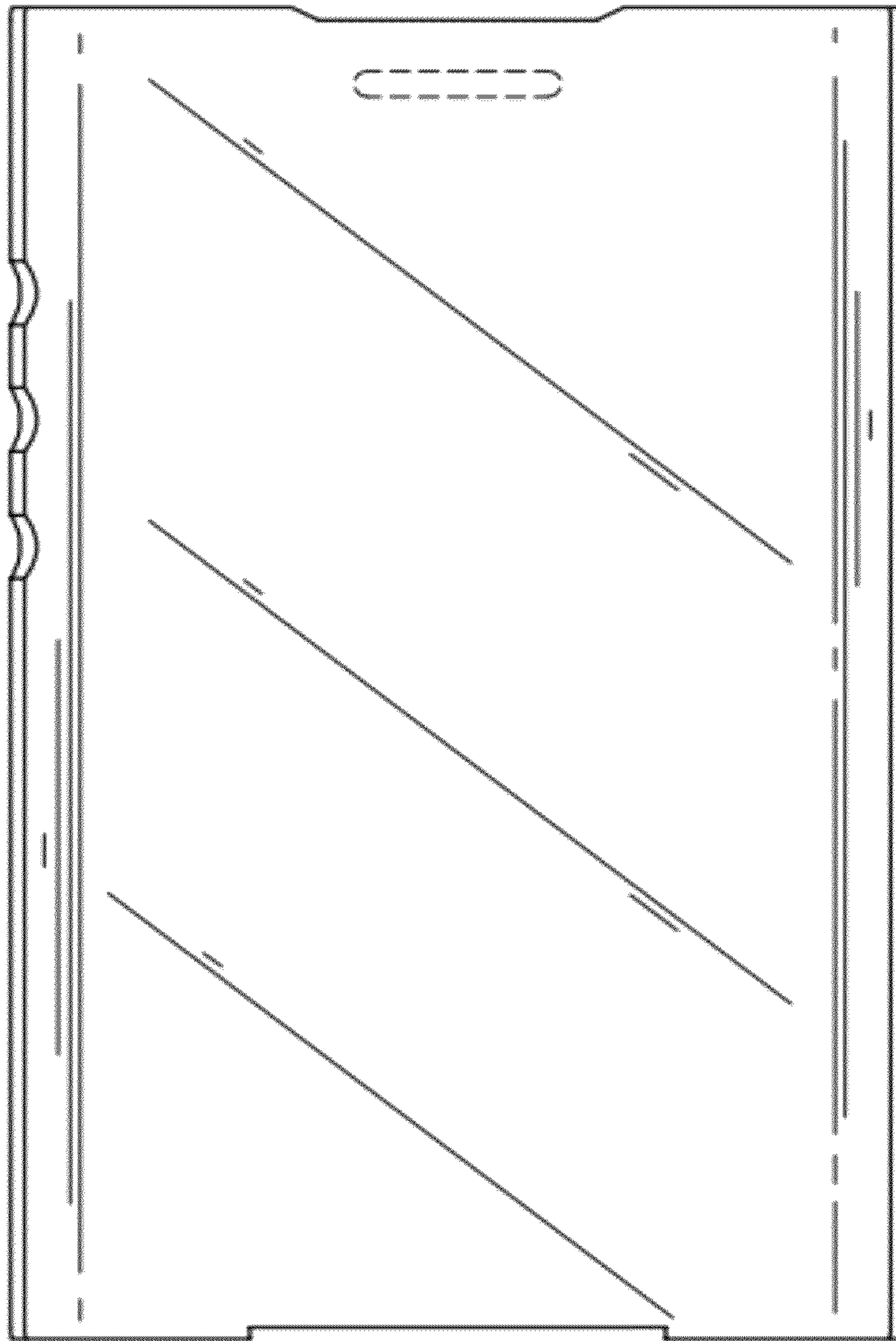


FIG. 7