



US00D665806S

(12) **United States Design Patent**
Lee et al.

(10) **Patent No.:** **US D665,806 S**
(45) **Date of Patent:** **** Aug. 21, 2012**

(54) **MOUSE WITH A BUILT IN SCANNER**

(75) Inventors: **Sangik Lee**, Gyeonggi-do (KR);
Bumsang Lee, Chungcheongbuk-do (KR)

(73) Assignee: **LG Electronics Inc.**, Seoul (KR)

(**) Term: **14 Years**

(21) Appl. No.: **29/417,778**

(22) Filed: **Apr. 9, 2012**

(30) **Foreign Application Priority Data**

Nov. 3, 2011 (KR) 30-2011-0046231

(51) **LOC (9) Cl.** **14-02**

(52) **U.S. Cl.** **D14/408**

(58) **Field of Classification Search** D14/402-411,
D14/356, 388, 389, 383-385, 417, 426;
345/156-167; 463/36-38; 358/471, 473;
273/148 B

See application file for complete search history.

(56) **References Cited**

U.S. PATENT DOCUMENTS

D326,848 S * 6/1992 Shiraiishi D14/410
D349,280 S * 8/1994 Kaneko D14/410

D372,468 S * 8/1996 Hsieh D14/410
D424,550 S * 5/2000 Su D14/410
D607,454 S * 1/2010 Reed et al. D14/408
D614,189 S * 4/2010 Inoue et al. D14/410
D656,498 S * 3/2012 Kujawski et al. D14/402
D656,499 S * 3/2012 Lee D14/408
D657,359 S * 4/2012 Kujawski et al. D14/402
D657,360 S * 4/2012 Kujawski et al. D14/402
D658,650 S * 5/2012 Kujawski et al. D14/402

* cited by examiner

Primary Examiner — Austin Murphy

(74) *Attorney, Agent, or Firm* — Morgan, Lewis & Bockius LLP

(57) **CLAIM**

The ornamental design for a mouse with a built in scanner, as shown and described.

DESCRIPTION

FIG. 1 is a front, right side, perspective view of a mouse with a built in scanner showing our new design;

FIG. 2 is a front view thereof;

FIG. 3 is a rear view thereof;

FIG. 4 is a left side view thereof;

FIG. 5 is a right side view thereof;

FIG. 6 is a top view thereof; and,

FIG. 7 is a bottom view thereof.

1 Claim, 5 Drawing Sheets

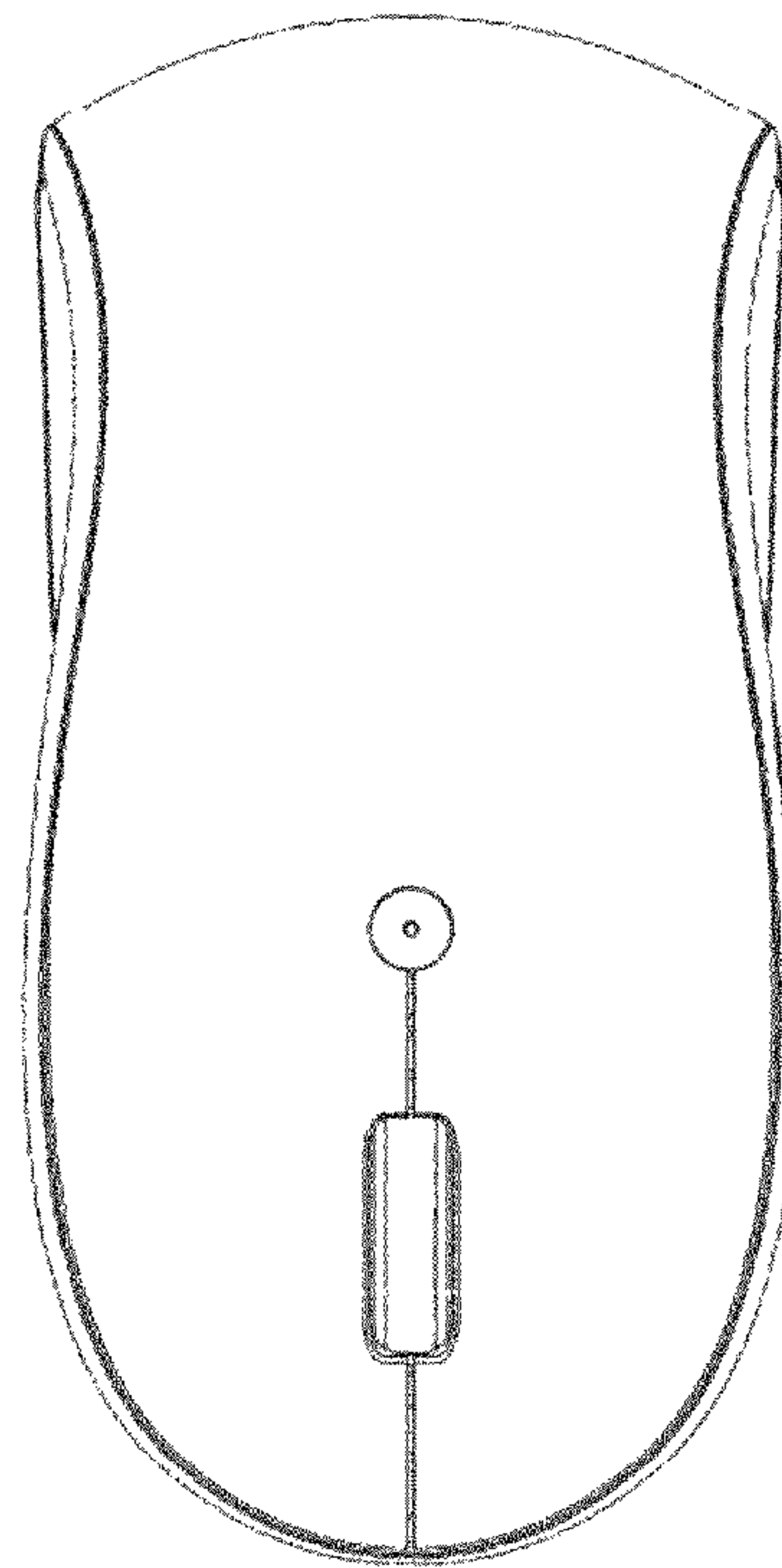
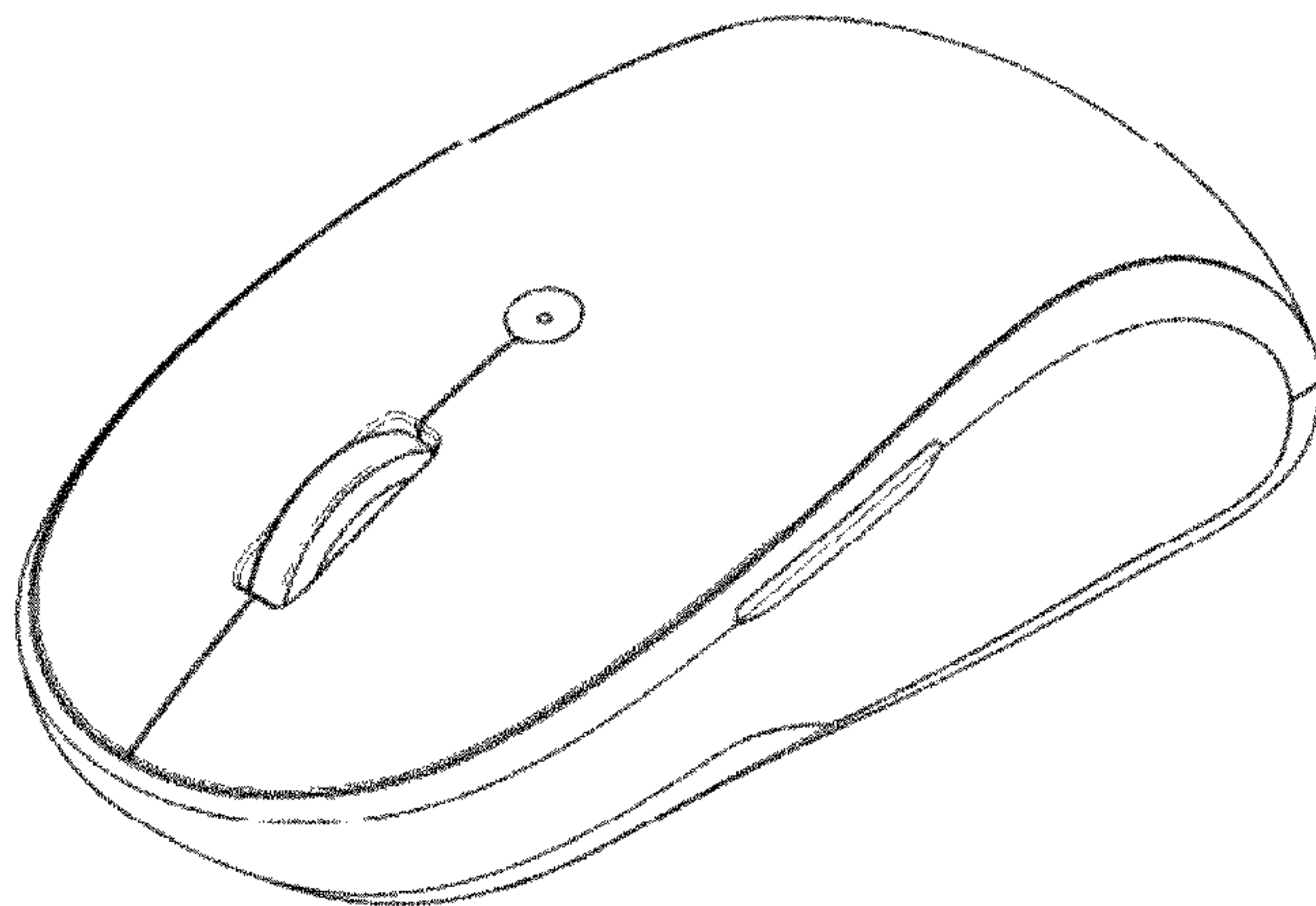


FIG. 1

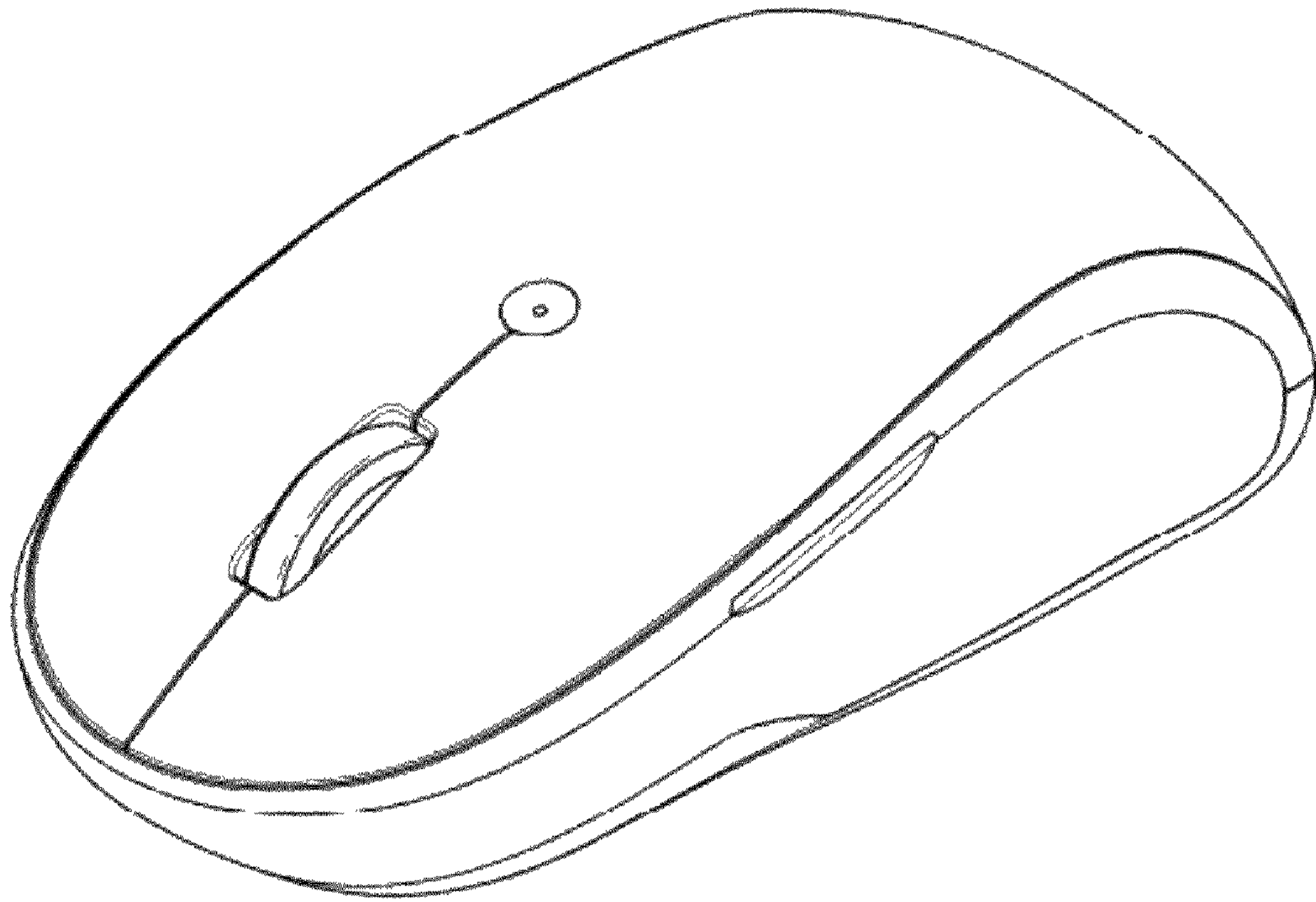


FIG. 2

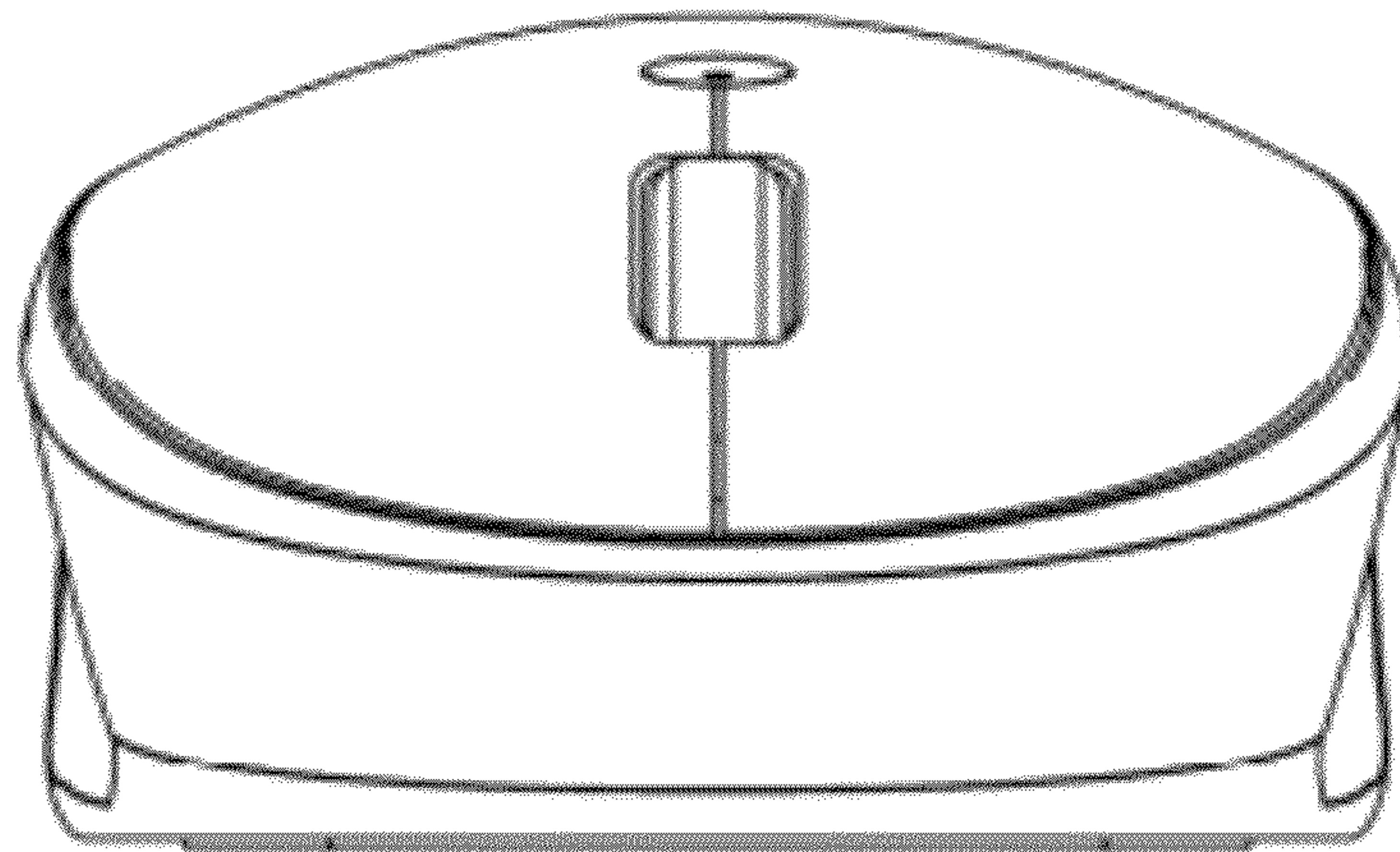


FIG. 3

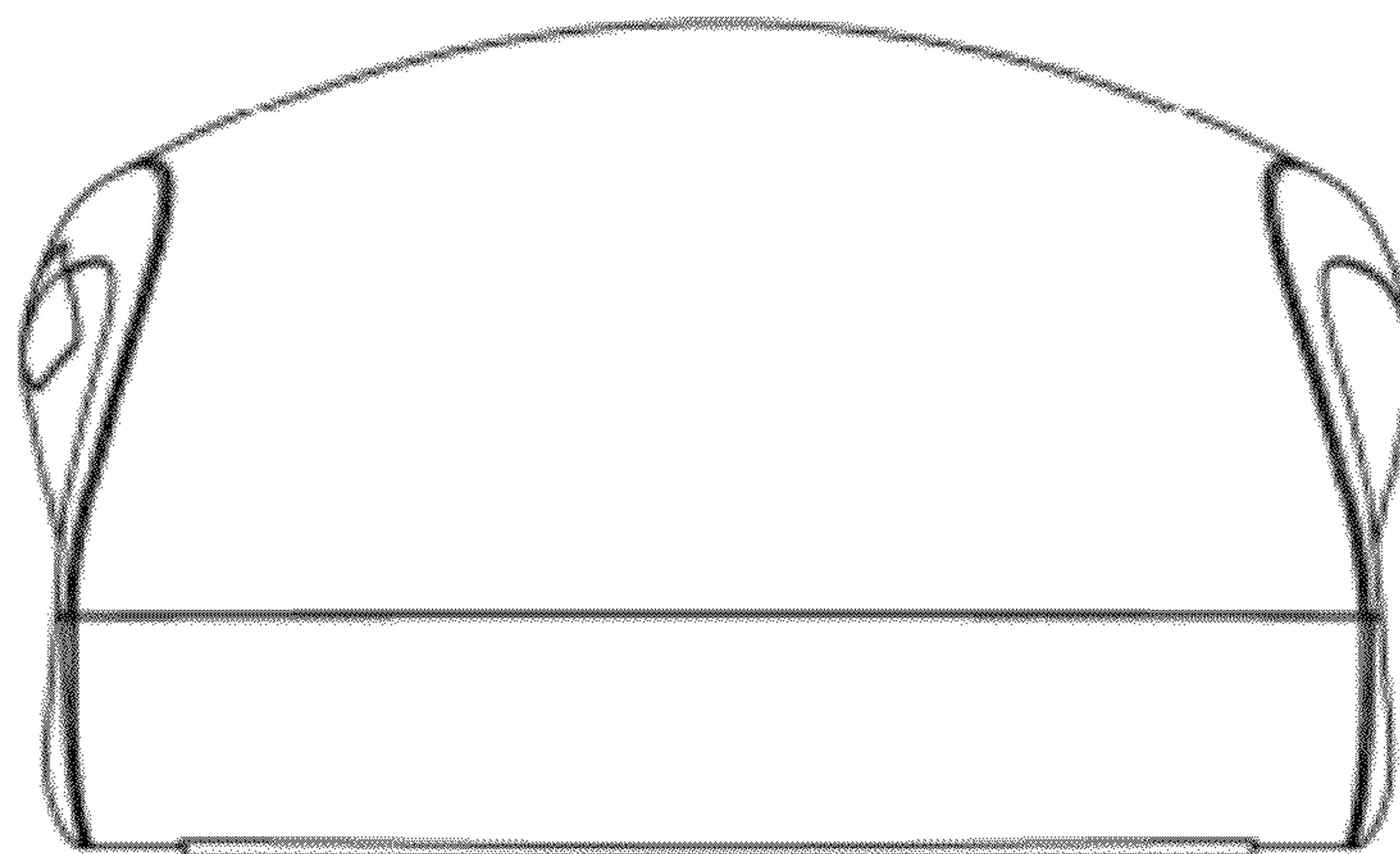


FIG. 4

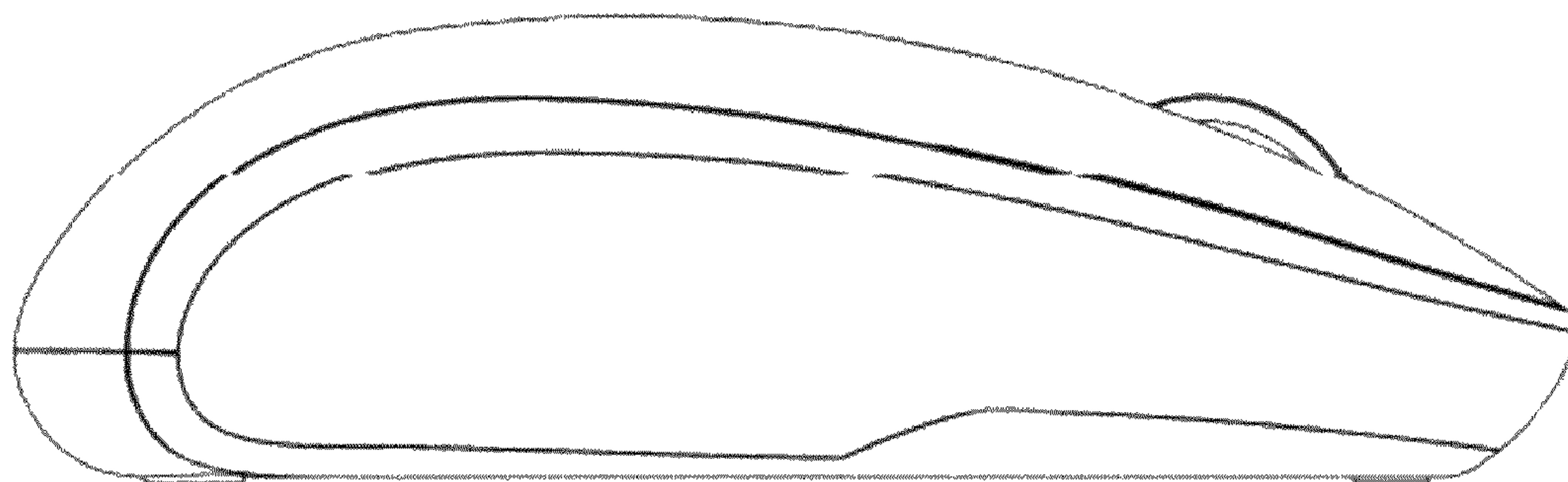


FIG. 5

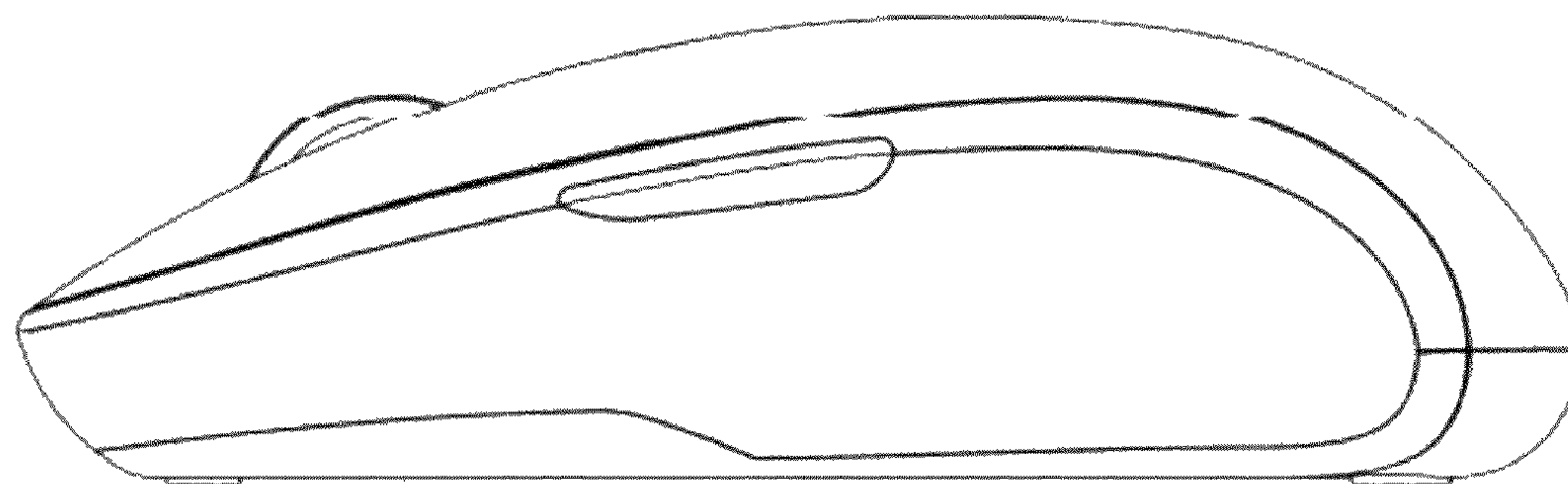


FIG. 6

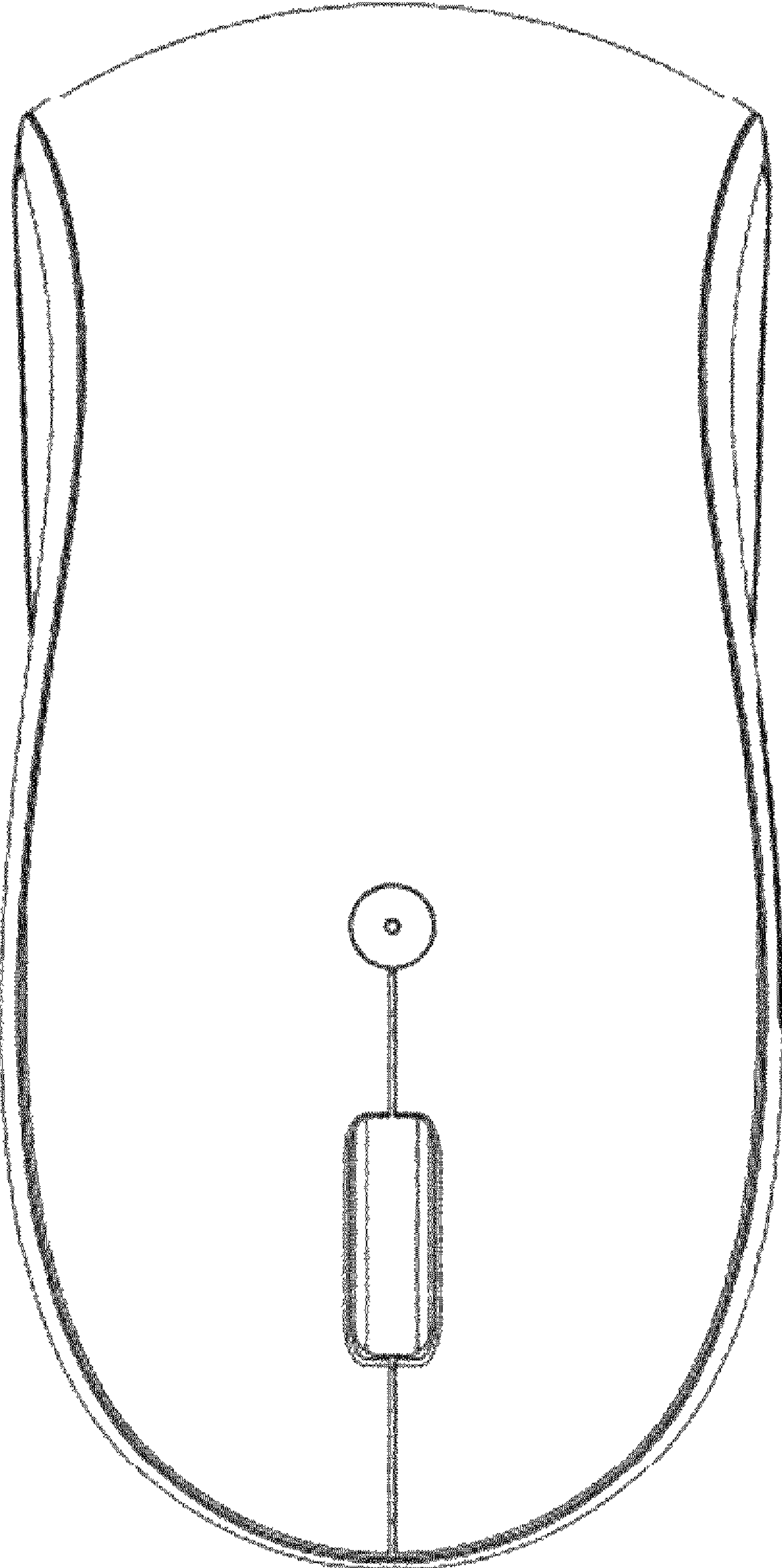


FIG. 7

