



US00D665802S

(12) **United States Design Patent**
Nelson, Jr. et al.

(10) **Patent No.:** **US D665,802 S**
(45) **Date of Patent:** **** Aug. 21, 2012**

(54) **CARD SLOT BEZEL**

(75) Inventors: **Donald S. Nelson, Jr.**, Akron, OH (US);
David N. Lewis, Canal Fulton, OH (US);
Shawn Griggy, North Canton, OH (US);
George Niemoeller, Canal Fulton, OH (US)

(73) Assignee: **Diebold Self-Service Systems division of Diebold, Incorporated**, North Canton, OH (US)

(**) Term: **14 Years**

(21) Appl. No.: **29/409,063**

(22) Filed: **Dec. 20, 2011**

(51) **LOC (9) Cl.** **14-02**

(52) **U.S. Cl.** **D14/385; D99/43**

(58) **Field of Classification Search** D99/28,
D99/34, 35, 36, 43, 99; D14/383-387, 439;
D18/3.1, 3.3, 4.1, 4.4, 4.5, 4.6, 12, 12.1, 49;
D20/1, 2, 4, 5, 6, 8, 9; 52/36.1; 109/2, 23,
109/24.1; 194/205, 350, 351; 235/375, 379,
235/380, 381, 382

See application file for complete search history.

(56) **References Cited**

U.S. PATENT DOCUMENTS

D230,601	S	*	3/1974	Cross	D14/385
D239,029	S	*	3/1976	Conway	D14/385
4,277,689	A	*	7/1981	Thomas et al.	382/139
D260,259	S	*	8/1981	Crowley et al.	D14/385
4,361,755	A	*	11/1982	Sidline et al.	235/476
4,908,516	A	*	3/1990	West	250/556

D322,277	S	*	12/1991	Clary et al.	D18/50
5,345,090	A	*	9/1994	Hludzinski	250/566
D378,162	S	*	2/1997	Chewick	D2/980
5,721,420	A	*	2/1998	May	235/379
D395,134	S	*	6/1998	Johnson	D99/43
D405,933	S	*	2/1999	Johnson	D99/28
6,016,955	A	*	1/2000	De Rooij et al.	235/379
D512,898	S	*	12/2005	Metivier et al.	D8/330
D532,421	S	*	11/2006	Metivier et al.	D14/385
D607,000	S	*	12/2009	Cheng et al.	D14/485
D628,576	S	*	12/2010	Daniel	D14/385

* cited by examiner

Primary Examiner — Elizabeth J Oswecki

(74) *Attorney, Agent, or Firm* — Christopher L. Parmelee;
Ralph E. Jocke; Walker & Jocke

(57) **CLAIM**

The ornamental design for a card slot bezel, as shown and described.

DESCRIPTION

FIG. 1 is a top, front, right side perspective view of a card slot bezel showing our new design;

FIG. 2 is a top, front, left side perspective view thereof.

FIG. 3 is a front view thereof.

FIG. 4 is a left side view thereof.

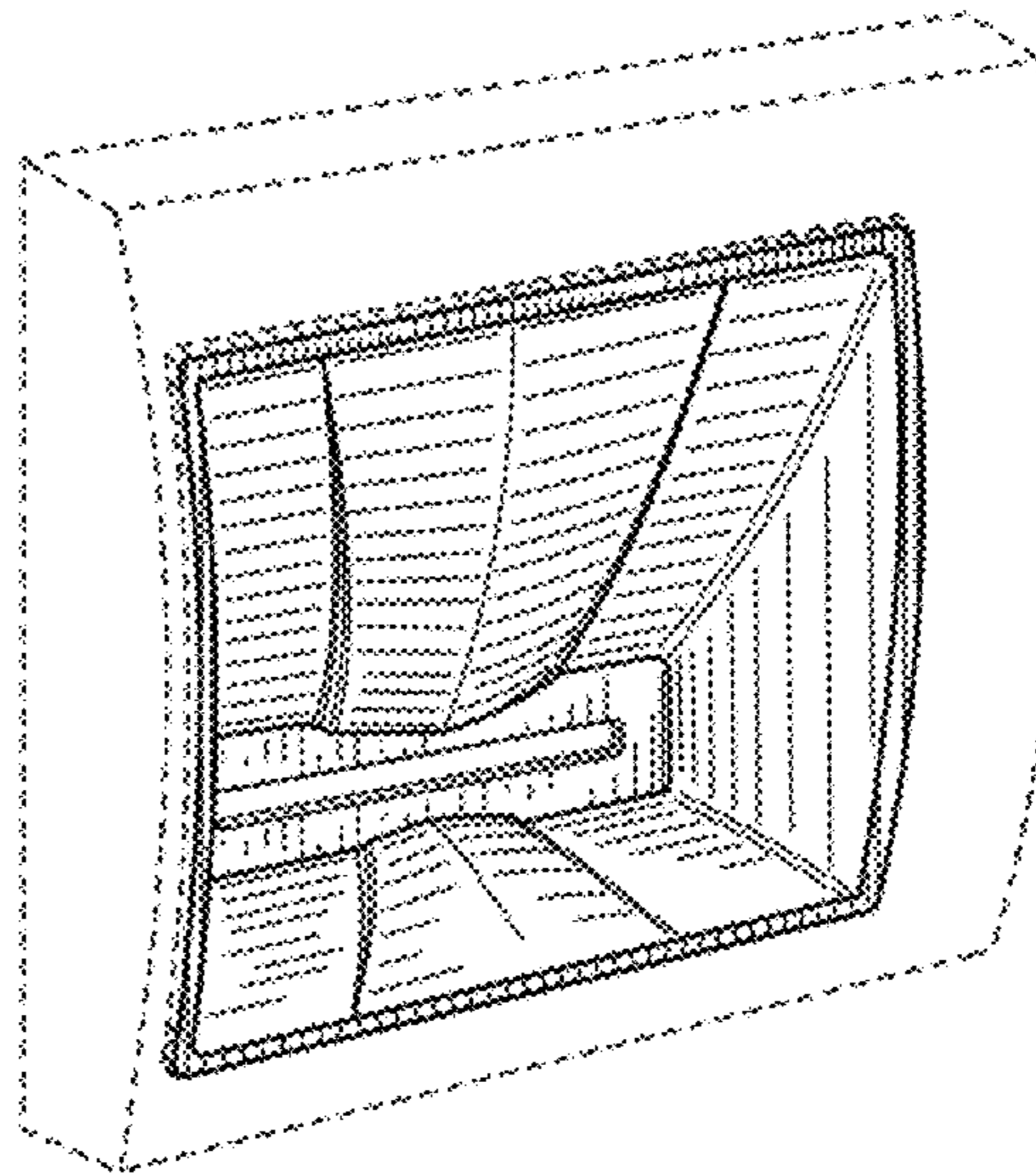
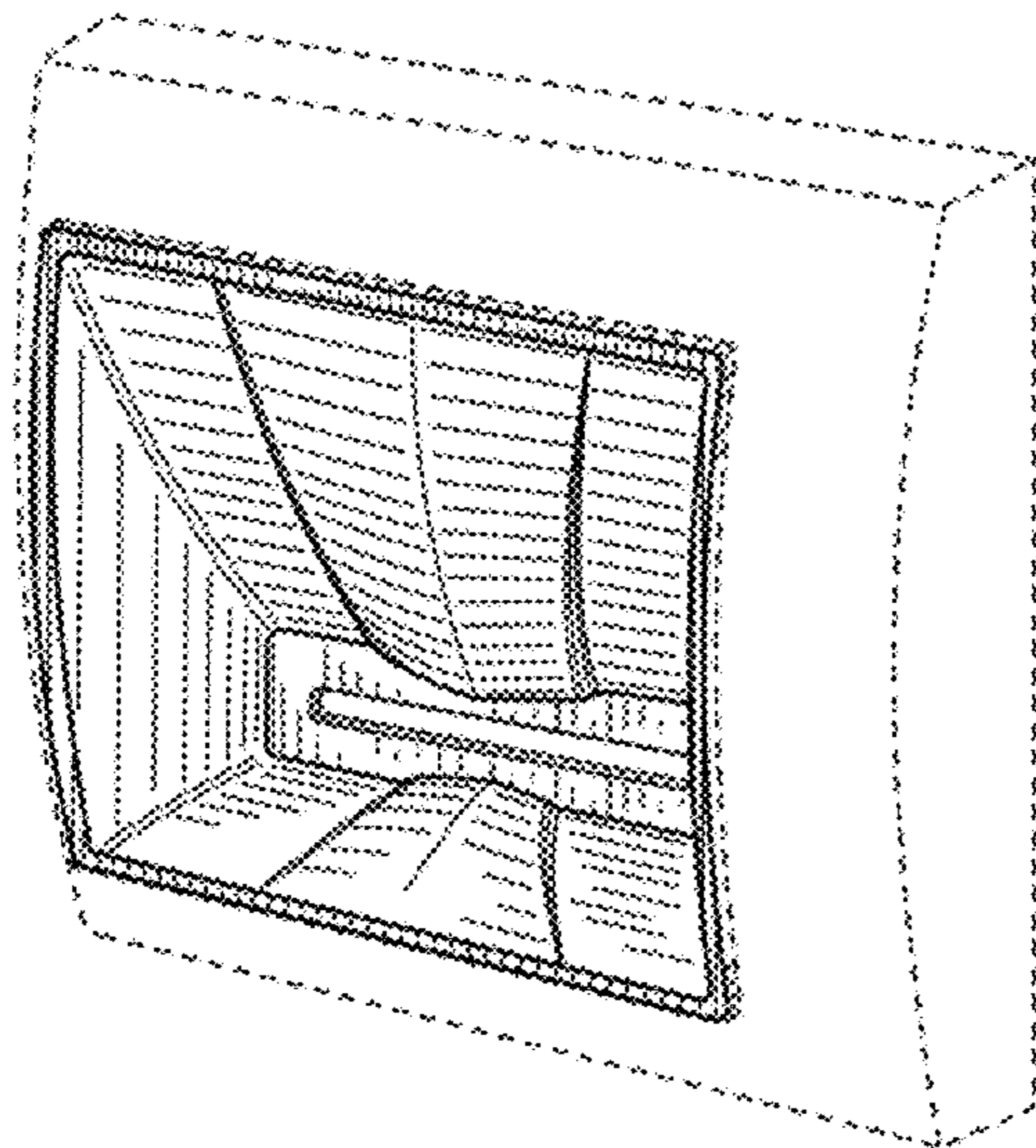
FIG. 5 is a right side view thereof.

FIG. 6 is a top view thereof; and,

FIG. 7 is a bottom thereof.

The broken lines adjacent the shaded areas represent the boundaries of the claimed design, while the other broken lines depict environmental subject matter only, and form no part of the claimed design. Also, the rear view forms no part of the claimed design.

1 Claim, 3 Drawing Sheets



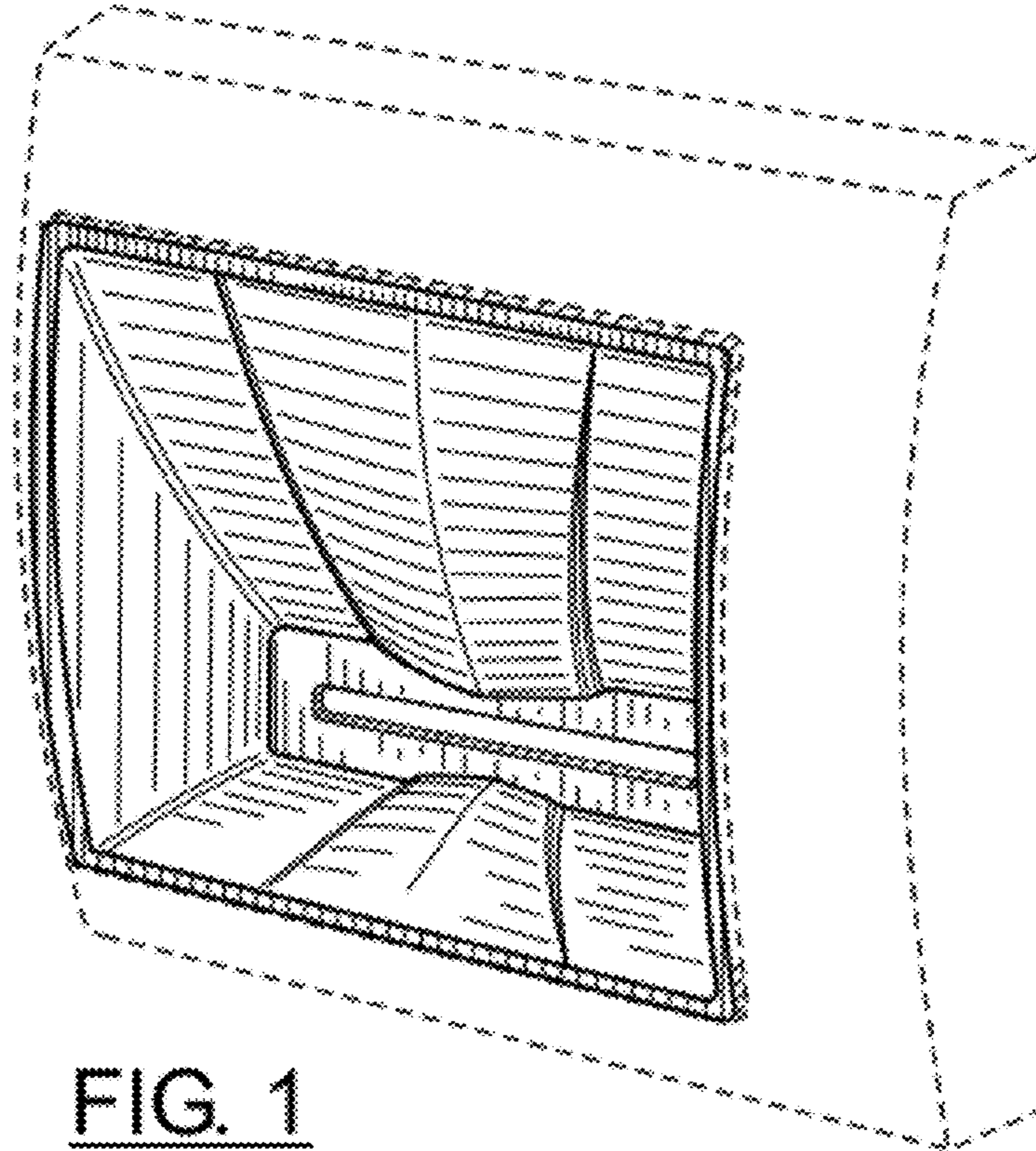


FIG. 1

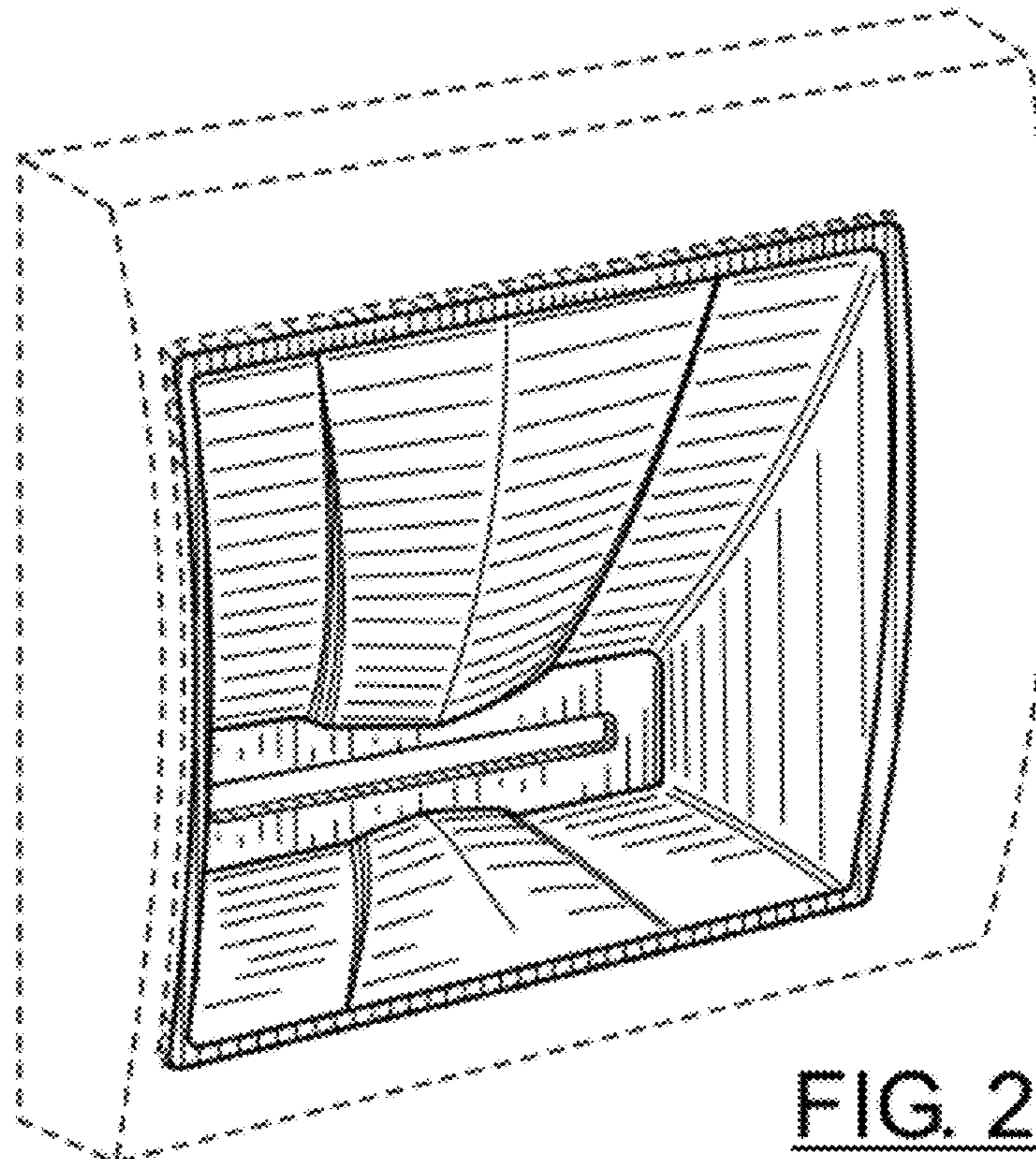


FIG. 2

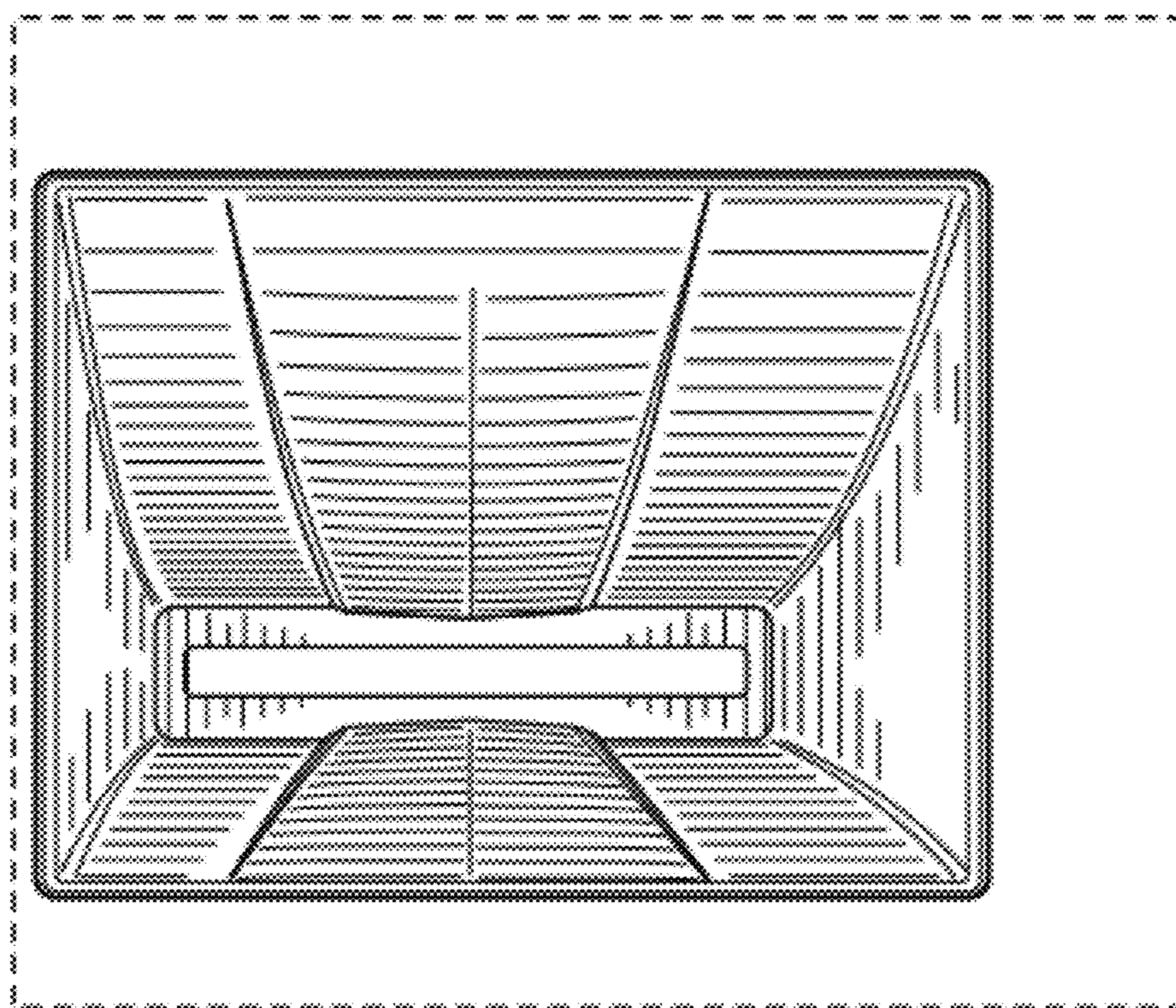


FIG. 3

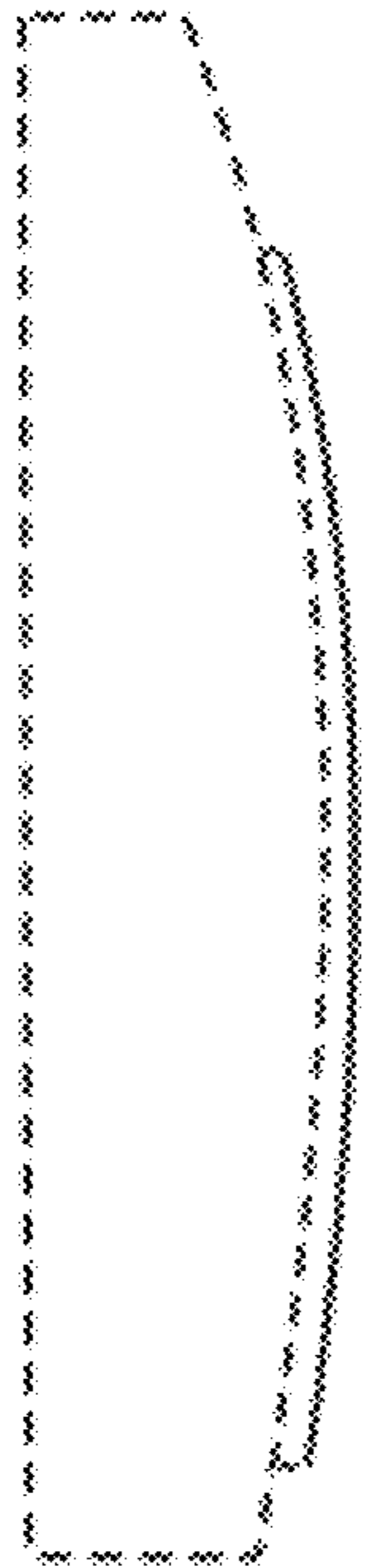


FIG. 4

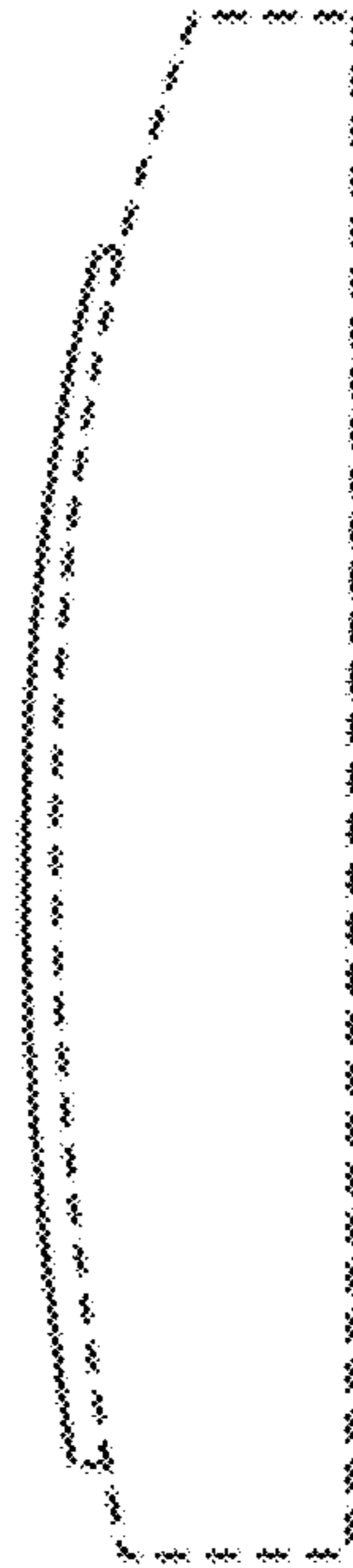


FIG. 5



FIG. 6



FIG. 7