



US00D665799S

(12) **United States Design Patent**
Massaro et al.

(10) **Patent No.:** **US D665,799 S**
(45) **Date of Patent:** **** Aug. 21, 2012**

(54) **ELEVATING DISPLAY LID**

(75) Inventors: **Kevin Massaro**, Houston, TX (US);
Stacy Wolff, Cypress, TX (US);
Jonathan Mendoza, San Francisco, CA (US)

(73) Assignee: **Hewlett-Packard Development Company**, Houston, TX (US)

(**) Term: **14 Years**

(21) Appl. No.: **29/396,305**

(22) Filed: **Jun. 28, 2011**

(51) **LOC (9) Cl.** **14-02**

(52) **U.S. Cl.** **D14/315**

(58) **Field of Classification Search** D14/315-327,
D14/349, 356; D18/1, 2, 7, 11; 235/145 A,
235/145 R; 341/22, 23; 345/104, 156, 168,
345/169, 173; 361/679.08, 679.09, 679.11,
361/679.26, 679.27

See application file for complete search history.

(56) **References Cited**

U.S. PATENT DOCUMENTS

D391,987 S * 3/1998 Jambhekar et al. D14/345
D580,432 S * 11/2008 Yun et al. D14/345
7,463,481 B2 * 12/2008 Lev et al. 361/679.27
D615,538 S * 5/2010 Huang et al. D14/315

D630,221 S * 1/2011 Sogabe et al. D14/439
2004/0212602 A1 * 10/2004 Nako et al. 345/173
2011/0085829 A1 * 4/2011 Kitagawa 399/313

OTHER PUBLICATIONS

Laptop Magazine. Dell Adam XPS Hands-On: More Juicy Pictures. Oct. 22, 2009. <http://blog.laptopmag.com/new-exclusive-dell-adamo-xps-pictures>.

* cited by examiner

Primary Examiner — Freda S Nunn

(74) *Attorney, Agent, or Firm* — Robert McDowell

(57) **CLAIM**

We claim the ornamental design for an elevating display lid, as shown and described.

DESCRIPTION

FIG. 1 is a perspective view of a elevating display lid in a closed state;
FIG. 2 is a right view thereof;
FIG. 3 is a left view thereof;
FIG. 4 is a rear view thereof;
FIG. 5 is a front view thereof;
FIG. 6 is a top view thereof;
FIG. 7 is a bottom view thereof; and,
FIG. 8 is a front perspective view of the elevating display lid in an open state.

Broken lines in the drawings are environmental or boundary lines, neither of which are part of the claimed design.

1 Claim, 5 Drawing Sheets

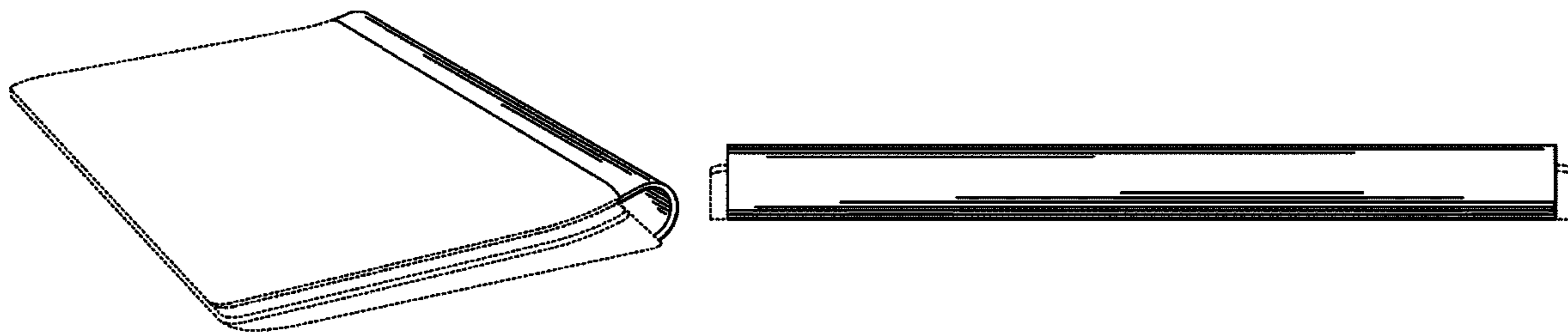
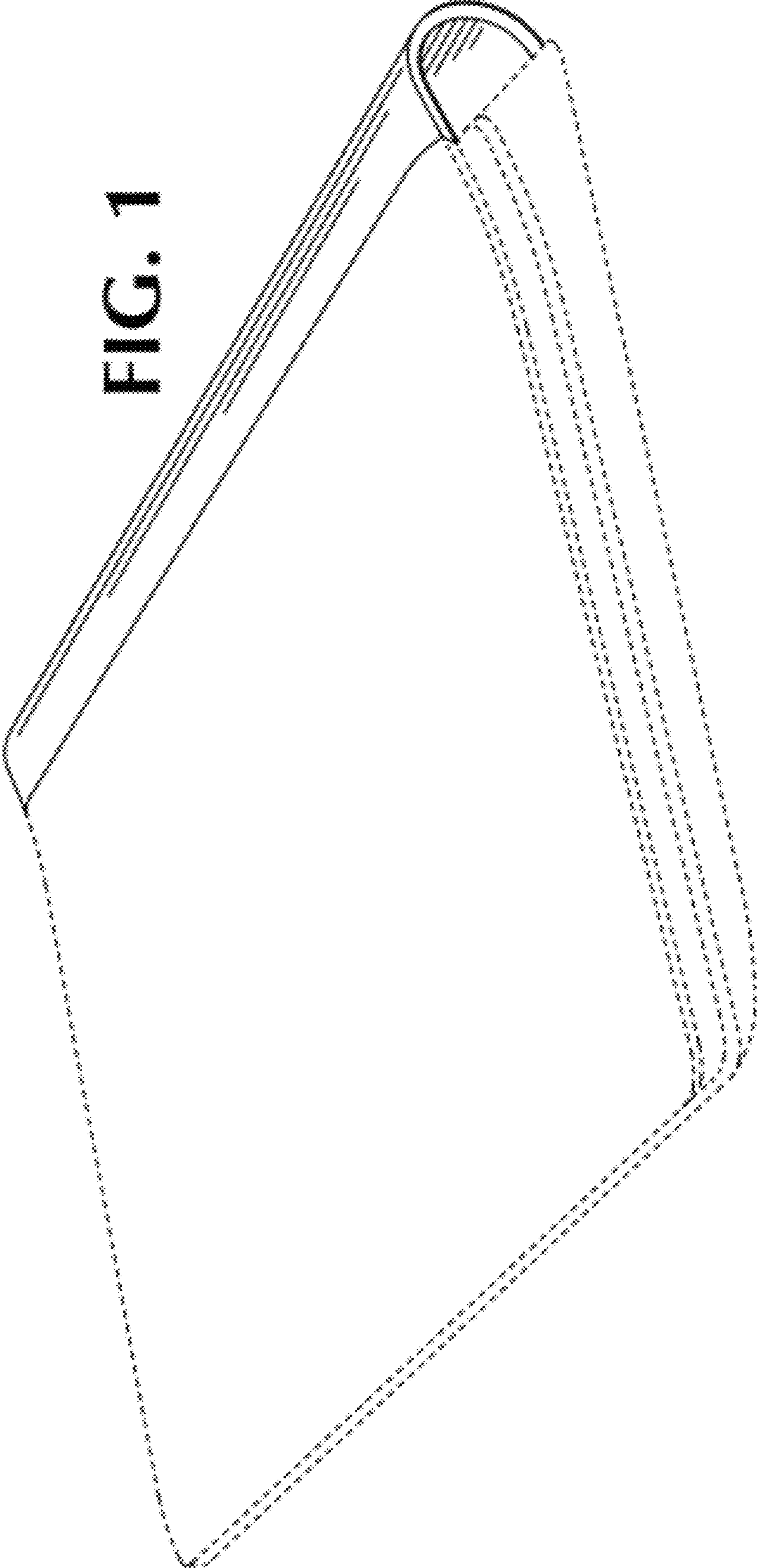


FIG. 1



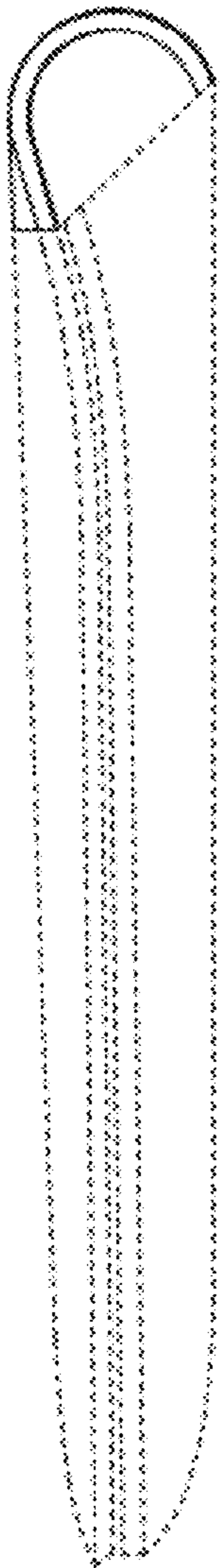


FIG. 2

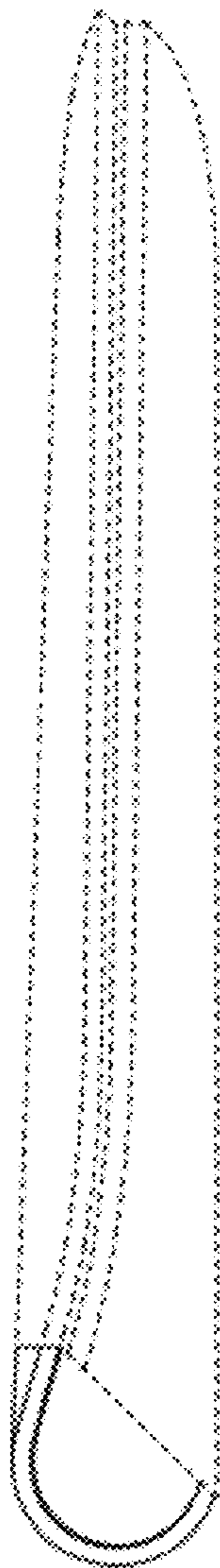


FIG. 3

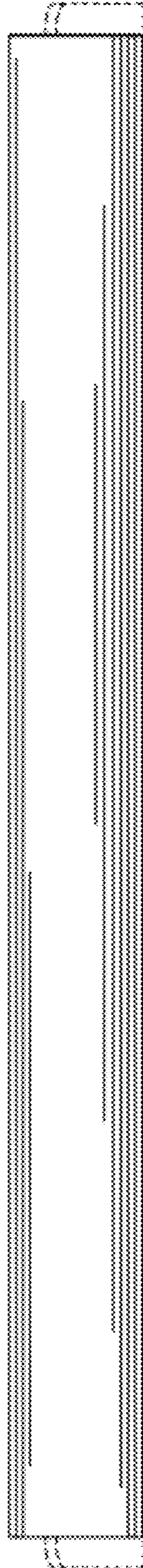


FIG. 4

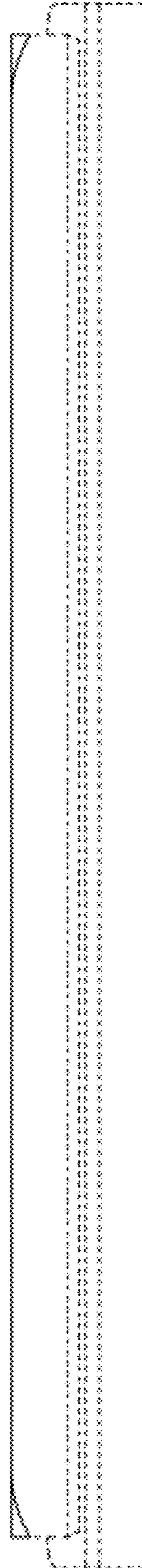


FIG. 5

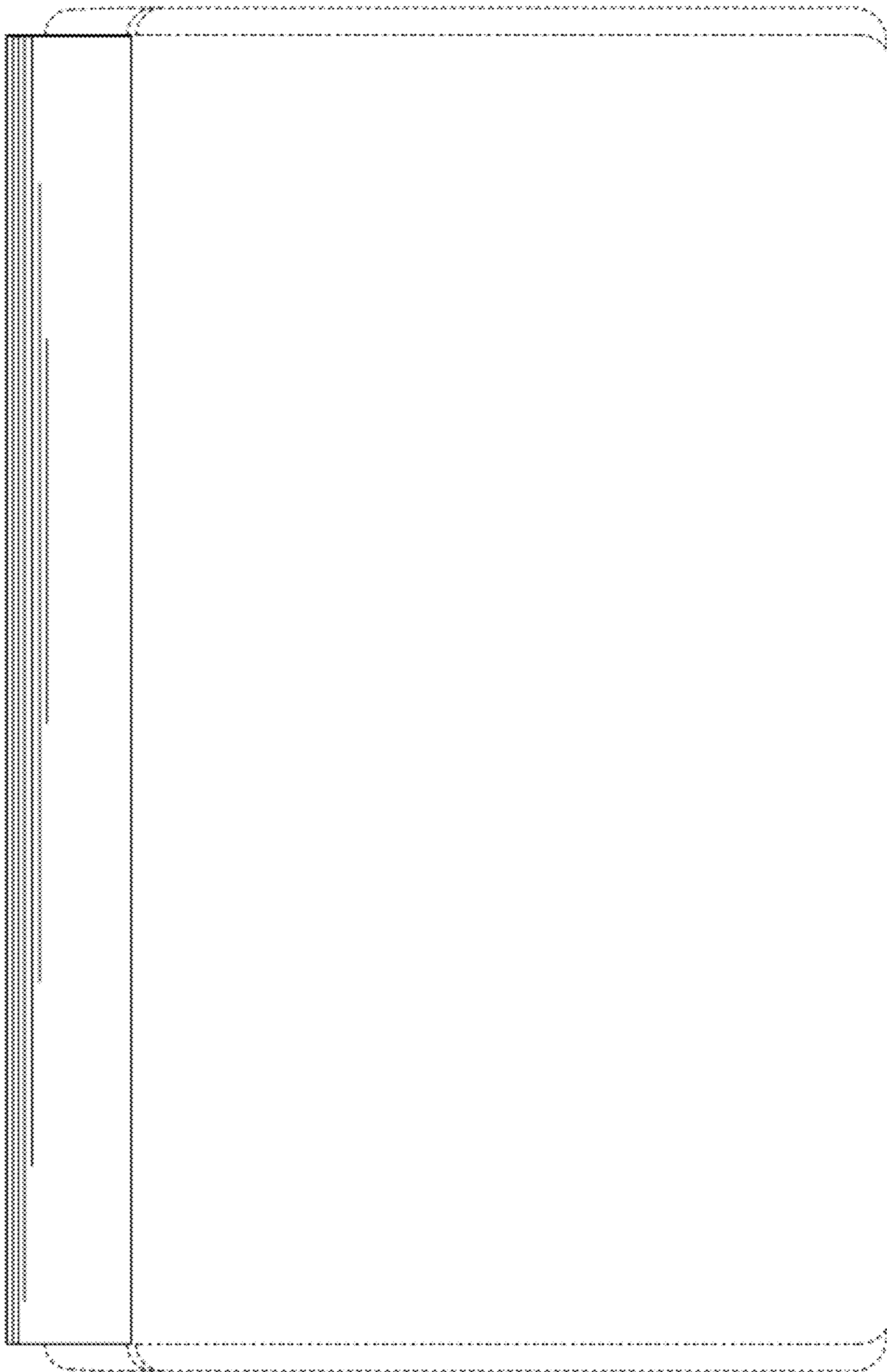


FIG. 6

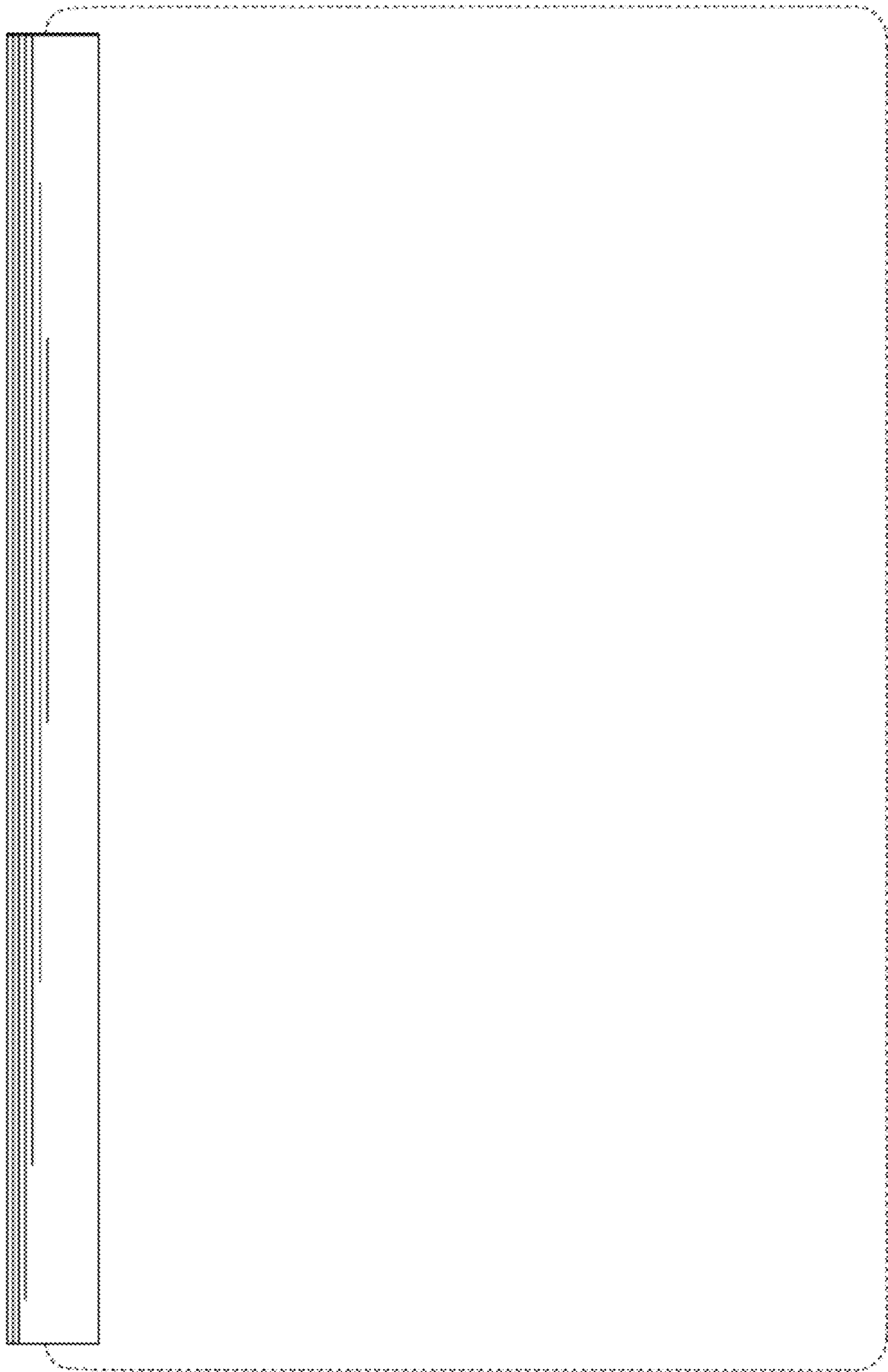


FIG. 7

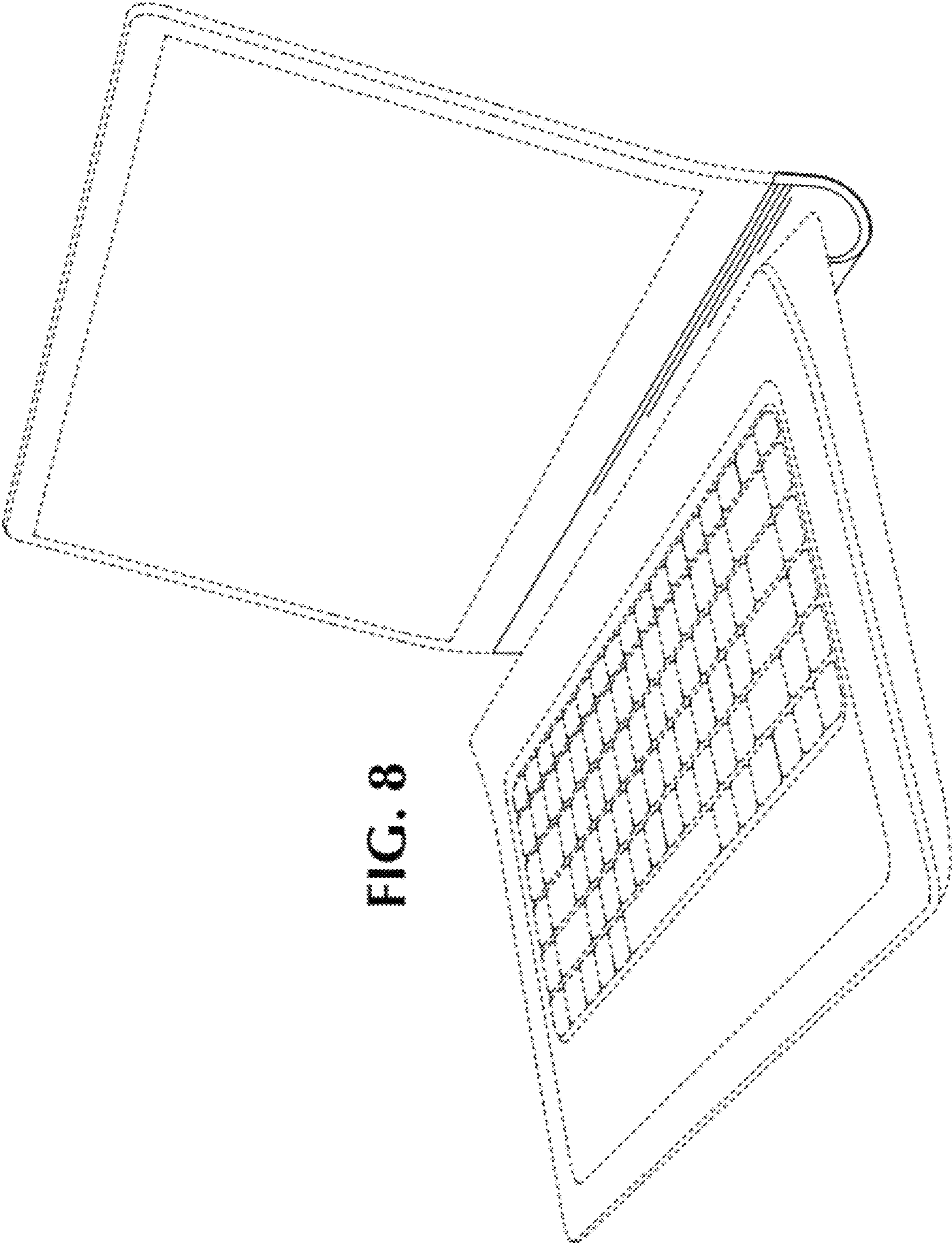


FIG. 8