



US00D665798S

(12) **United States Design Patent**
Rountree et al.

(10) **Patent No.:** **US D665,798 S**

(45) **Date of Patent:** **** Aug. 21, 2012**

(54) **NETWORK COMMUNICATIONS SERVER**

(75) Inventors: **Timothy D. Rountree**, East Rochester, NY (US); **Joshua S. Gannon**, Fairport, NY (US); **Thomas A. Wertman**, Churchville, NY (US); **Daryl W. Coulon**, Webster, NY (US); **Gregory G. Ornt**, Sodus Point, NY (US); **Bruce DeMay**, Webster, NY (US)

(73) Assignee: **Harris Corporation**, Melbourne, FL (US)

(**) Term: **14 Years**

(21) Appl. No.: **29/403,675**

(22) Filed: **Oct. 10, 2011**

(51) **LOC (9) Cl.** **14-02**

(52) **U.S. Cl.** **D14/301**

(58) **Field of Classification Search** D14/300, D14/301, 308, 356-368; D13/162, 184, D13/199; 312/223.1-223.2; 360/99.01-99.12; 369/34.01, 36.01; 361/679.01, 679.02, 679.31-679.33
See application file for complete search history.

(56) **References Cited**

U.S. PATENT DOCUMENTS

D341,824 S * 11/1993 Chen D14/328
D383,737 S * 9/1997 Zinck D14/356
D415,126 S * 10/1999 Egan et al. D14/364

D456,019 S * 4/2002 Frank et al. D14/311
D511,772 S * 11/2005 Su et al. D14/300
D555,157 S * 11/2007 Tosh et al. D14/301
D556,747 S * 12/2007 Wang D14/300

* cited by examiner

Primary Examiner — Freda S Nunn

(74) *Attorney, Agent, or Firm* — Fox Rothschild, LLP; Robert J. Sacco

(57) **CLAIM**

The ornamental design for a network communications server, as shown and described.

DESCRIPTION

FIG. 1 is a front perspective view of a network communications server;

FIG. 2 is a front view of the network communications server shown in FIG. 1;

FIG. 3 is a rear view of the network communications server shown in FIGS. 1 and 2;

FIG. 4 is a right side view of the network communications server shown in FIGS. 1-3;

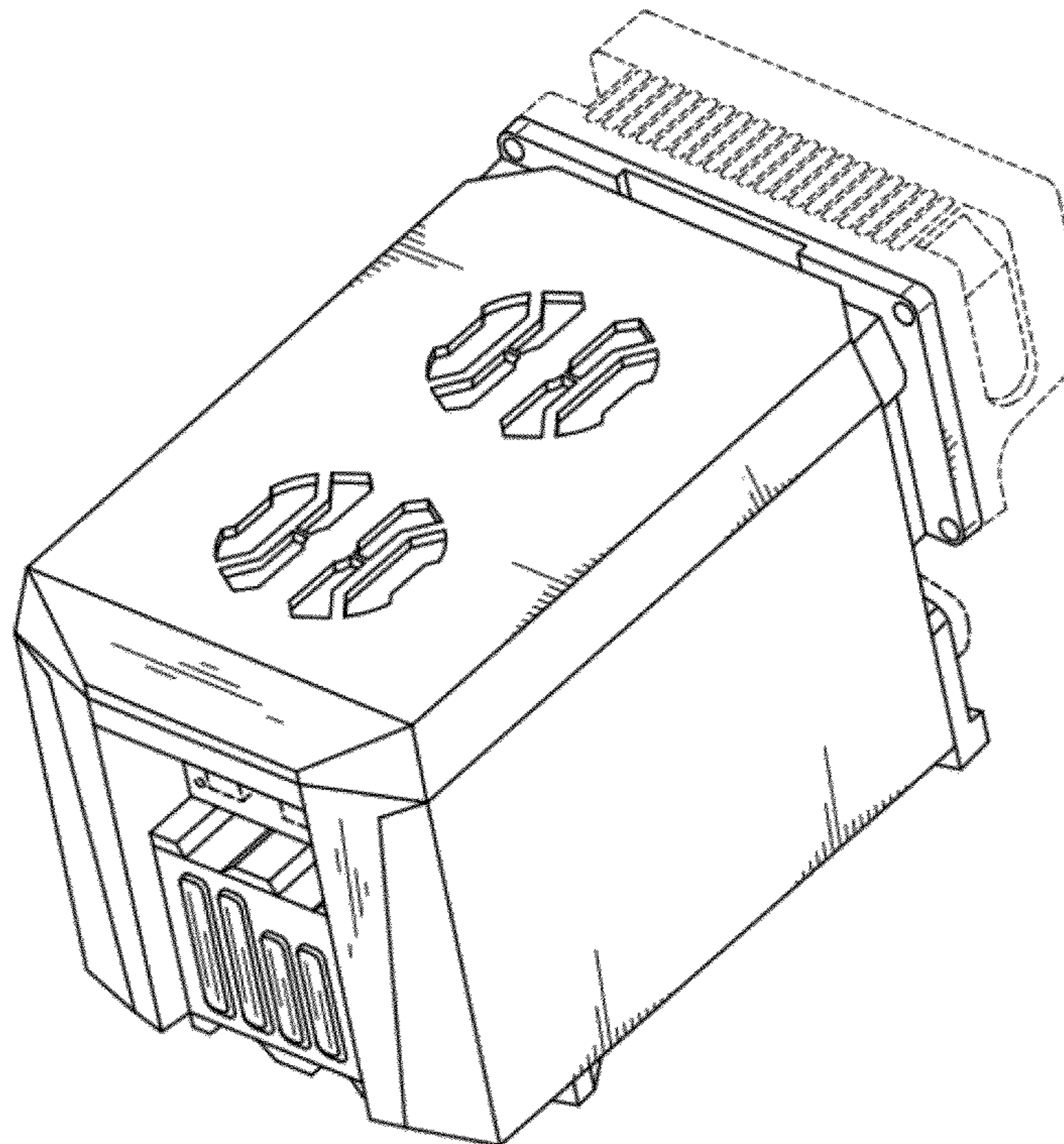
FIG. 5 is a left side view of the network communications server shown in FIGS. 1-4;

FIG. 6 is a top view of the network communications server shown in FIGS. 1-5; and,

FIG. 7 is a bottom view of the network communications server shown in FIGS. 1-6.

Broken lines shown in the drawings illustrate portions of the network communications server, and form no part of the claimed design.

1 Claim, 4 Drawing Sheets



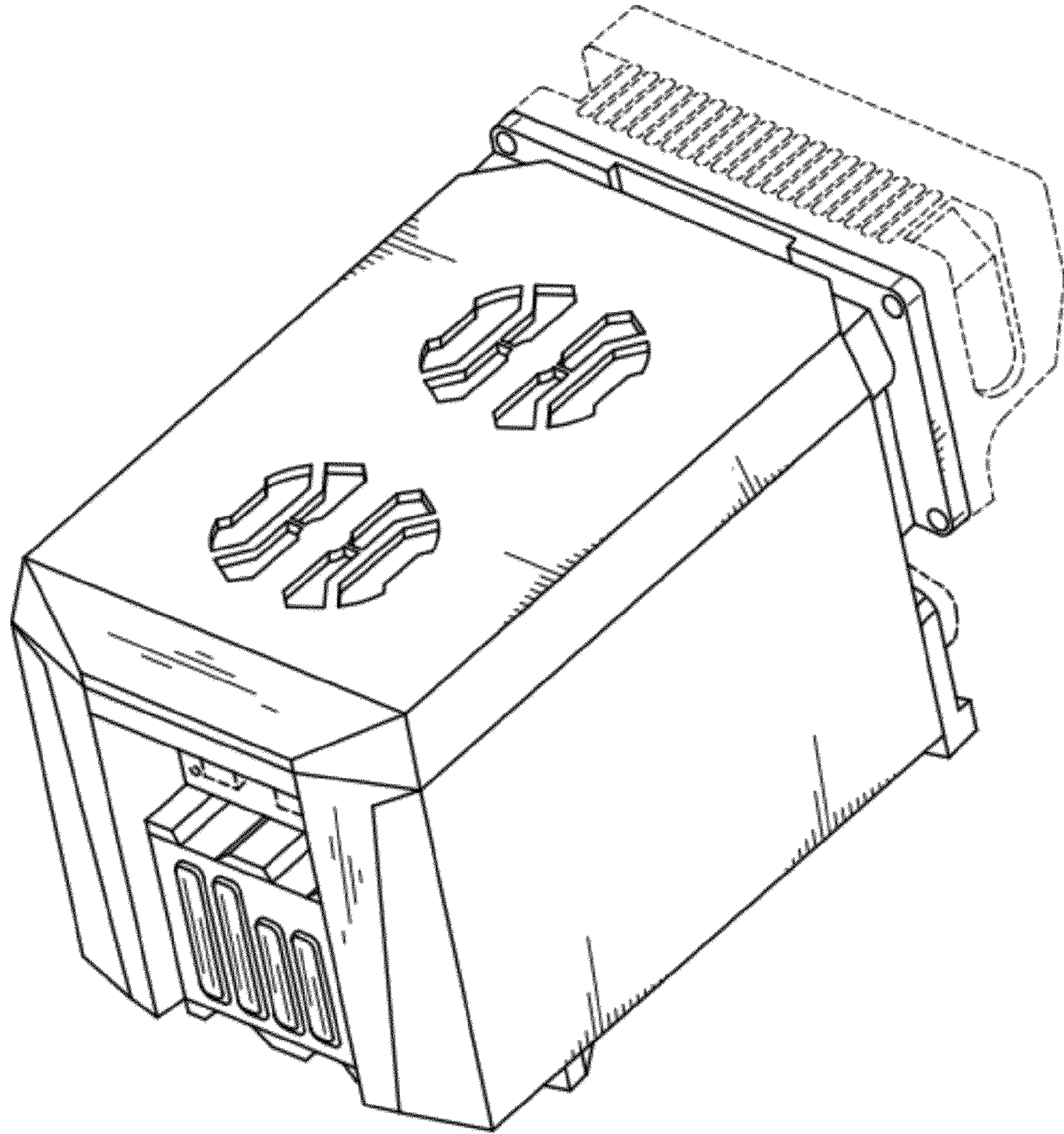


FIG. 1

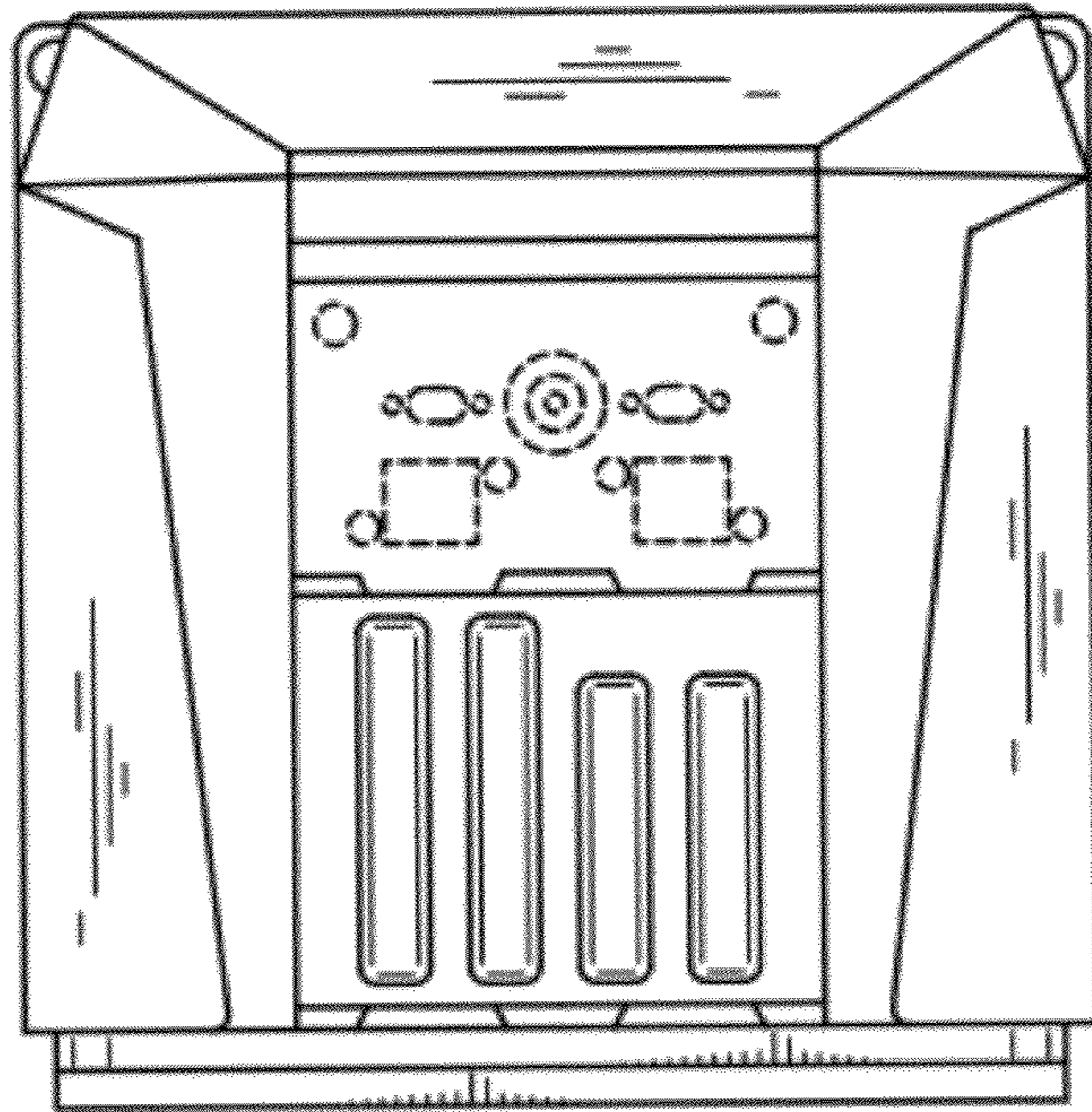


FIG. 2

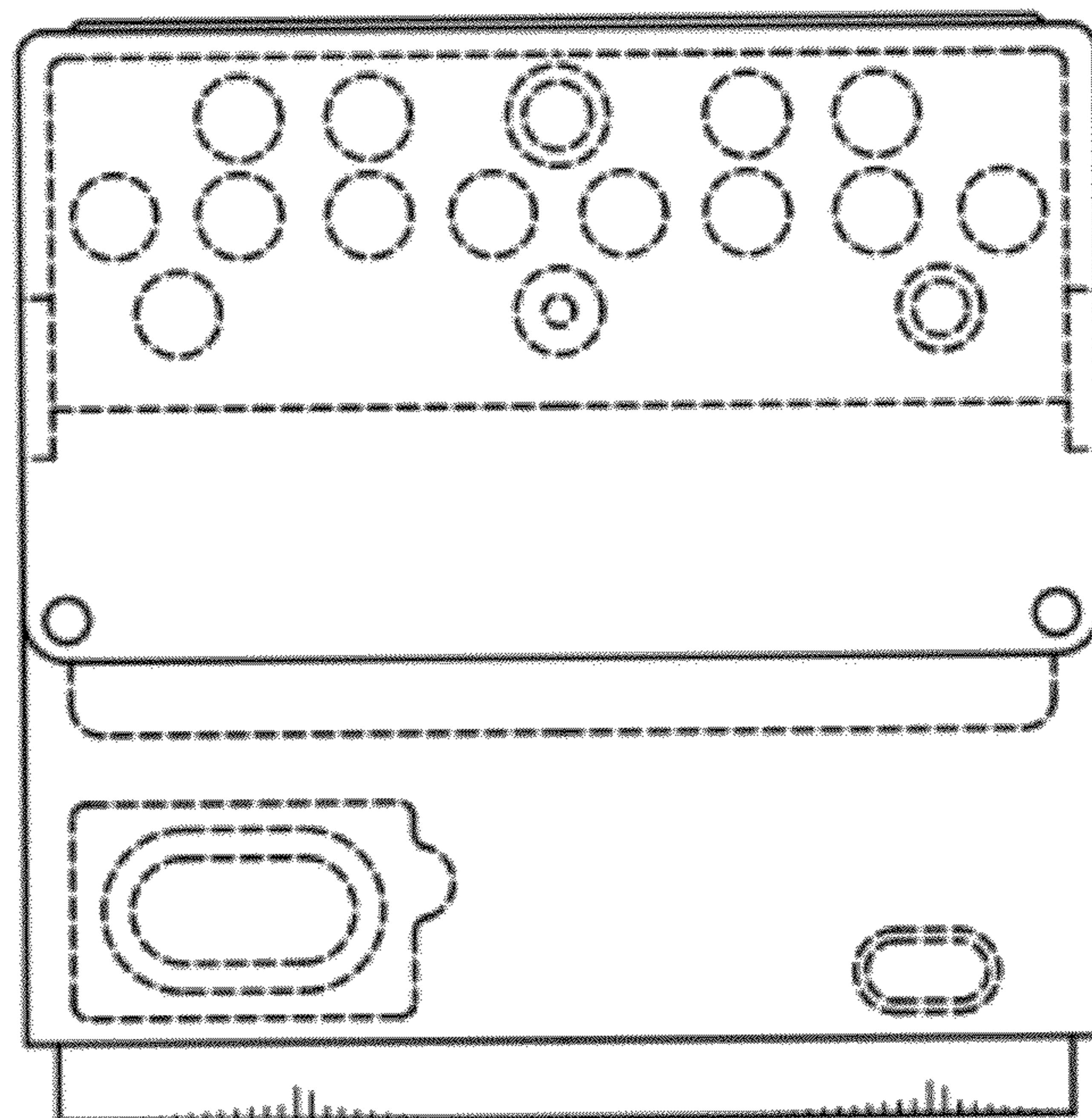


FIG. 3

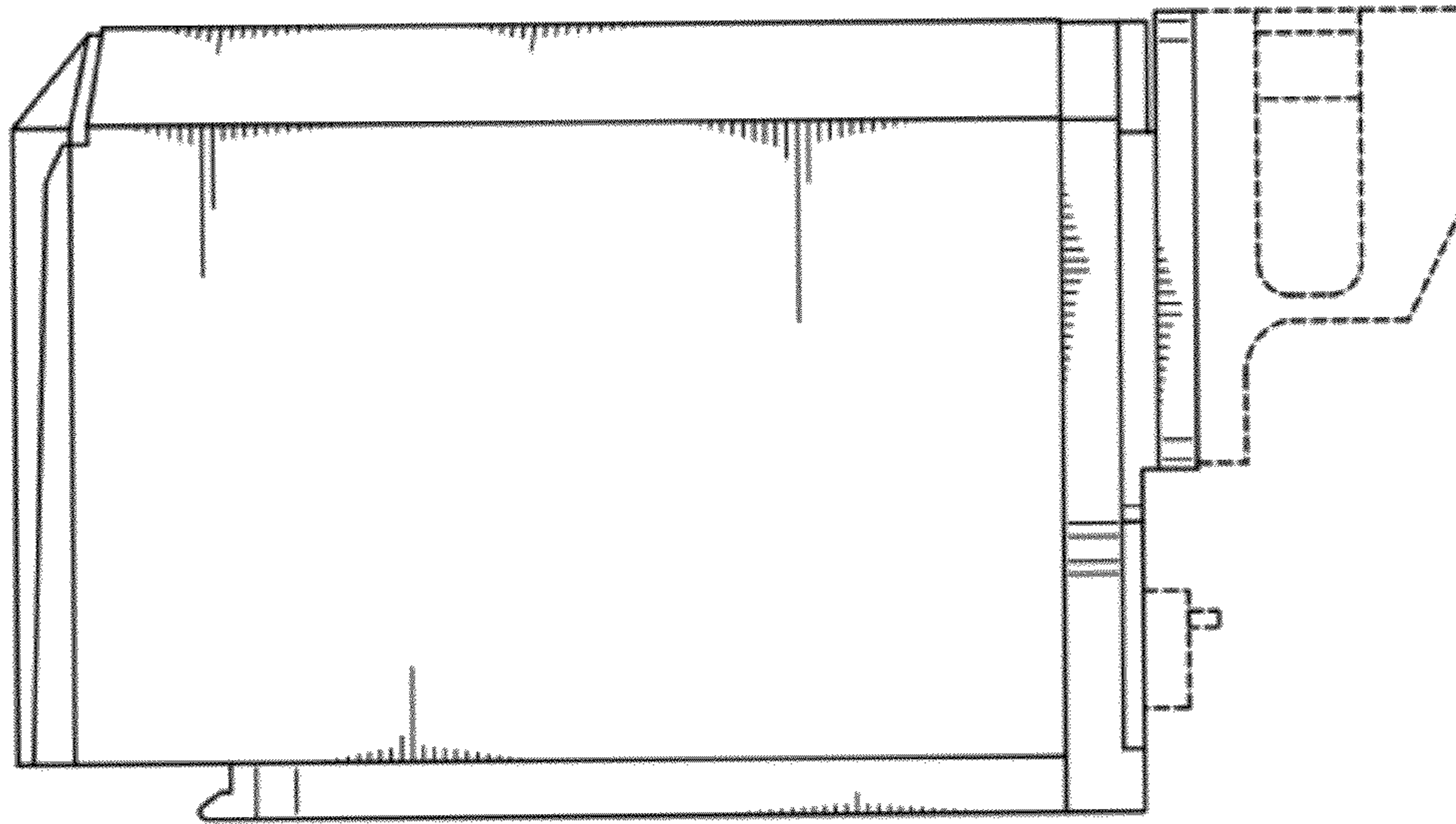


FIG. 4

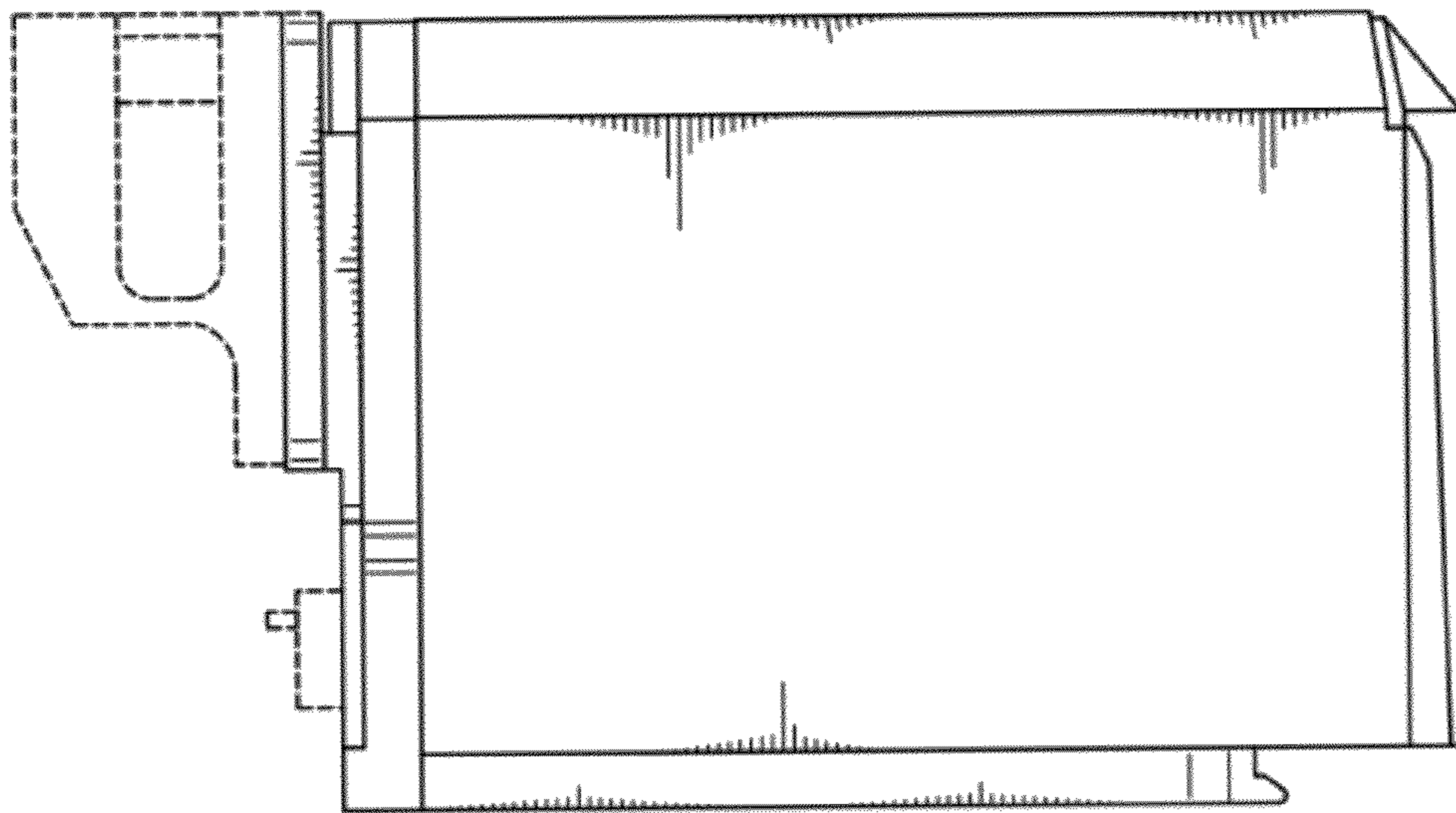


FIG. 5

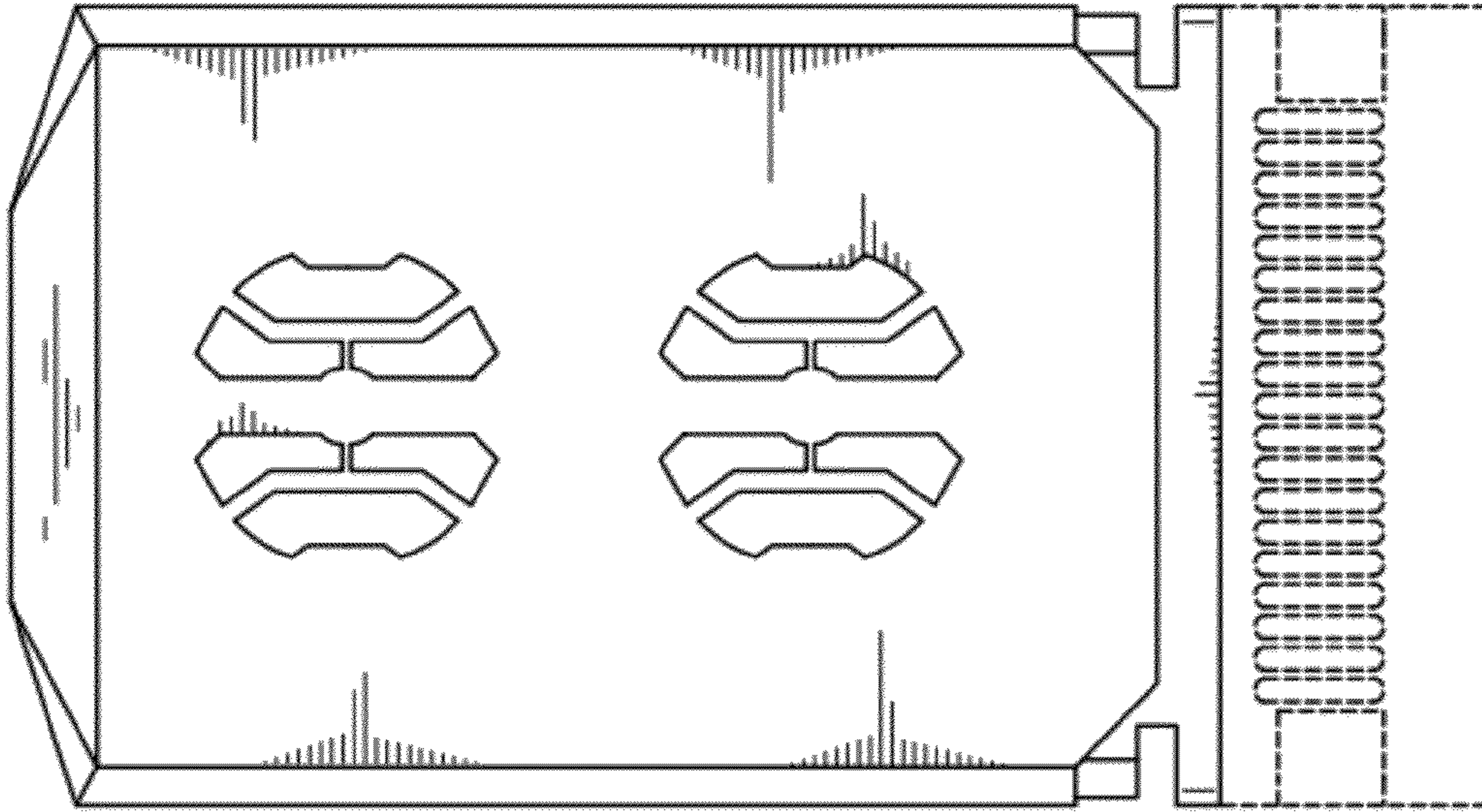


FIG. 6

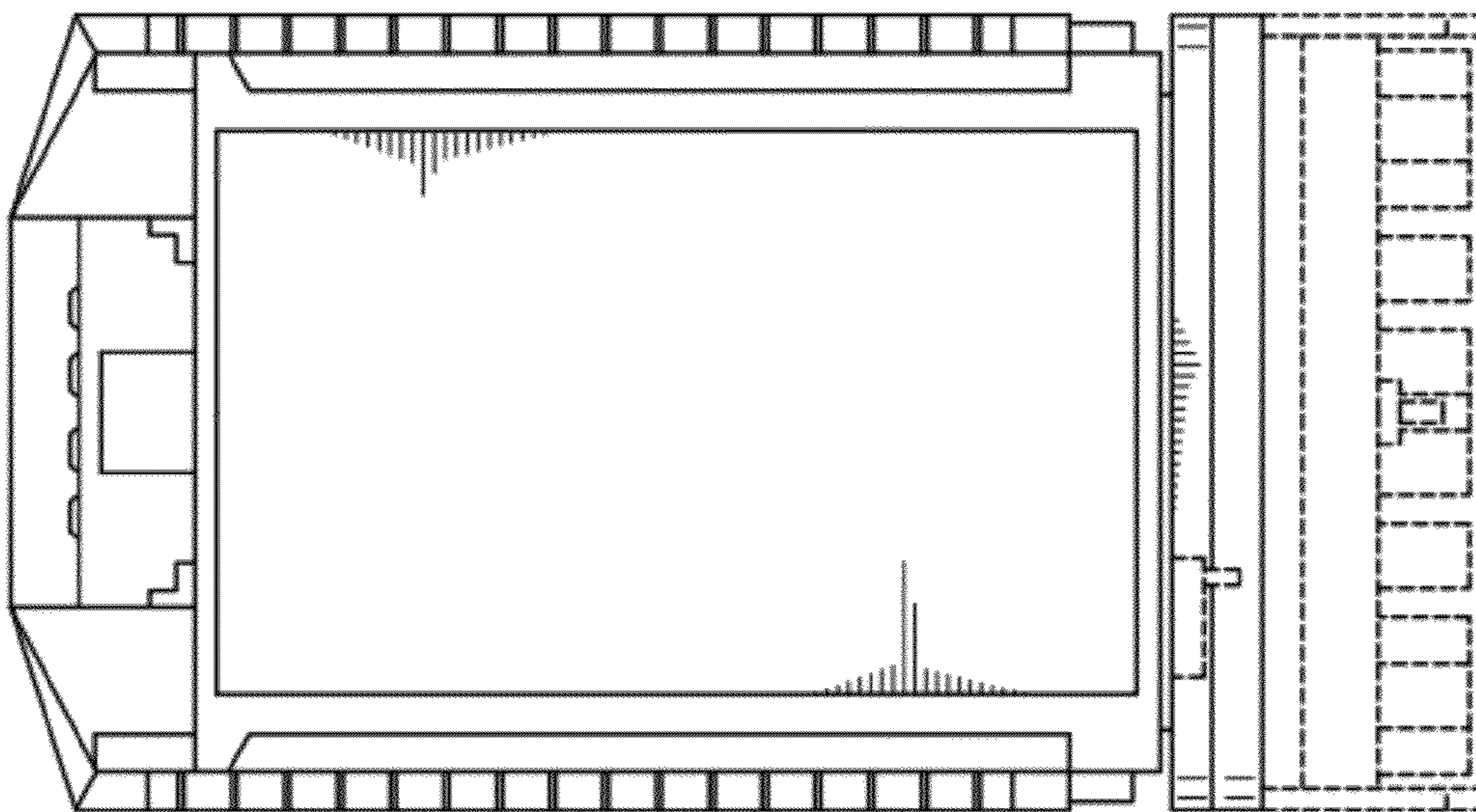


FIG. 7