



US00D665784S

(12) **United States Design Patent**
Zheng et al.

(10) **Patent No.:** **US D665,784 S**

(45) **Date of Patent:** **** Aug. 21, 2012**

(54) **COVER OF AN ELECTRONIC DEVICE WITH SURFACE PATTERN**

(75) Inventors: **Du-Tong Zheng**, Shenzhen (CN); **Bin Li**, Shenzhen (CN)

(73) Assignee: **FIH (Hong Kong) Limited**, Kowloon (HK)

(**) Term: **14 Years**

(21) Appl. No.: **29/409,904**

(22) Filed: **Dec. 29, 2011**

(51) **LOC (9) Cl.** **14-03**

(52) **U.S. Cl.** **D14/248**

(58) **Field of Classification Search** D14/248,
D14/138 R, 138 AA, 138 AB, 138 AC, 138 AD,
D14/138 C, 138 G, 203.7, 341-347, 250,
D14/440, 140, 240, 251-253, 439, 299, 238.1,
D14/217, 218, 168-169, 172; D3/201, 218,
D3/269, 273, 301, 303; D5/37-38, 41, 58-63,
D5/1, 47, 26, 20, 57; D21/458; 455/575.1,
455/575.3, 575.4, 575.8, 556.1, 556.2

See application file for complete search history.

(56) **References Cited**

U.S. PATENT DOCUMENTS

| | | | | | |
|------------|---|---------|----------|-------|-------|
| D11,535 S | * | 12/1879 | Maertens | | D5/47 |
| D23,793 S | * | 11/1894 | Marks | | D5/47 |
| D33,013 S | * | 7/1900 | Migel | | D5/47 |
| D34,332 S | * | 4/1901 | Palmer | | D5/47 |
| D35,404 S | * | 12/1901 | Wearne | | D5/26 |
| D36,209 S | * | 1/1903 | O'Brien | | D5/47 |
| D97,884 S | * | 12/1935 | Meier | | D5/37 |
| D108,526 S | * | 2/1938 | Turpan | | D5/37 |
| D113,954 S | * | 3/1939 | Christen | | D5/60 |
| D116,385 S | * | 8/1939 | Sigoda | | D5/47 |

(Continued)

FOREIGN PATENT DOCUMENTS

WO DM/052044 * 5/2000

OTHER PUBLICATIONS

Lace Surface Design Hard Cover Plastic Skin Case For iPhone 4G, <URL:http://www.alibaba.com/product-gs/515949856/Lace_Surface_Design_Hard_Cover_Plastic.html>, retrieved from internet on Feb. 27, 2012.*

Nokia 8800 Arte with pink diamonds, posted on Feb. 14, 2012, <URL:http://aibob.blogspot.com/2012/02/5-most-expensive-mobiles-phone.html>, retrieved from internet on Mar. 7, 2012.*

Gucci K3 Engraved Gold Mobile phone, posted on Apr. 3, 2011, <URL:http://blog.vipluxuryphones.com/tag/vertu-cell-phones/>, retrieved from internet on Mar. 7, 2012.*

Hand knit lace mitts, <URL:http://knitspot.com/?p=317>, retrieved from internet on May 5, 2012.*

Primary Examiner — Carla Wright

(74) *Attorney, Agent, or Firm* — Altis Law Group, Inc.

(57) **CLAIM**

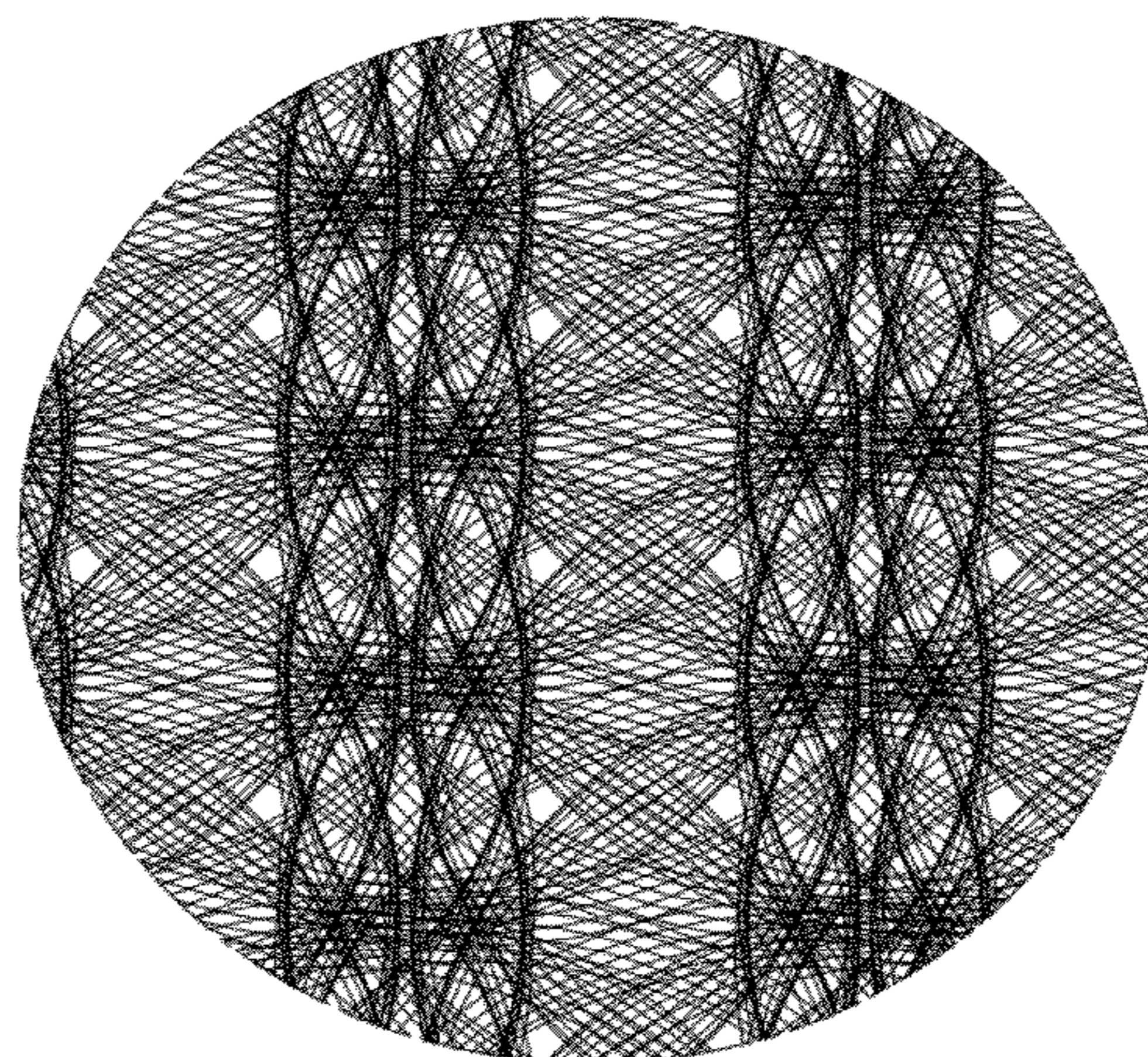
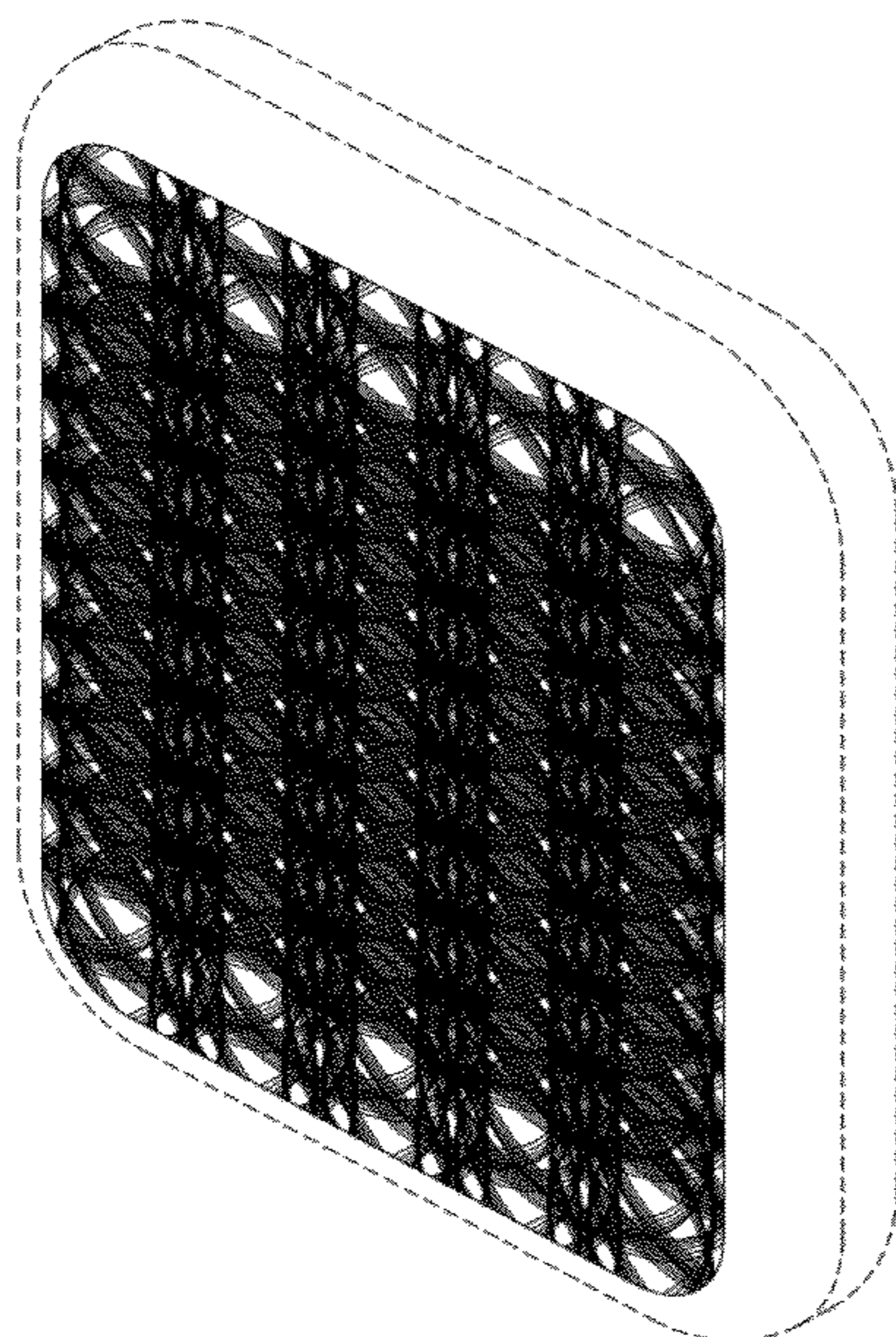
The ornamental design for a cover of an electronic device with surface pattern, as shown and described.

DESCRIPTION

FIG. 1 is a perspective view of a cover of an electronic device with surface pattern showing our new design; FIG. 2 is a front elevational view thereof; FIG. 3 is a side elevational view thereof; and, FIG. 4 is an enlarged fragmentary view thereof showing circled portion 4 in FIG. 2.

In FIGS. 1-3, the evenly segmented broken lines indicate portions of the cover of an electronic device with surface pattern that form no part of the claimed design. In FIGS. 2 and 4, the unevenly segmented broken lines indicate the portion of the design that is shown on an enlarged scale in FIG. 4. The broken lines form no part of the claimed design.

1 Claim, 4 Drawing Sheets



US D665,784 S

Page 2

U.S. PATENT DOCUMENTS

| | | | | | | | |
|--------------|---------|--------------------|------------|-------------------|---------|------------------------|------------|
| D116,664 S * | 9/1939 | Lubitsch | D5/60 | D530,065 S * | 10/2006 | Edwards | D2/953 |
| D116,832 S * | 9/1939 | Sadinoff | D5/60 | D602,894 S * | 10/2009 | Lepoultier et al. | D14/138 AB |
| D176,223 S * | 11/1955 | McCord | D5/47 | D606,525 S * | 12/2009 | Chen et al. | D14/248 |
| D358,149 S * | 5/1995 | Fellinger | D14/138 AB | D613,072 S * | 4/2010 | Raftery et al. | D5/47 |
| D476,161 S * | 6/2003 | Salway et al. | D5/47 | D627,770 S * | 11/2010 | Ferrari et al. | D14/250 |
| D488,810 S * | 4/2004 | Lin et al. | D14/341 | 2010/0048257 A1 * | 2/2010 | Prest et al. | 455/575.1 |

* cited by examiner

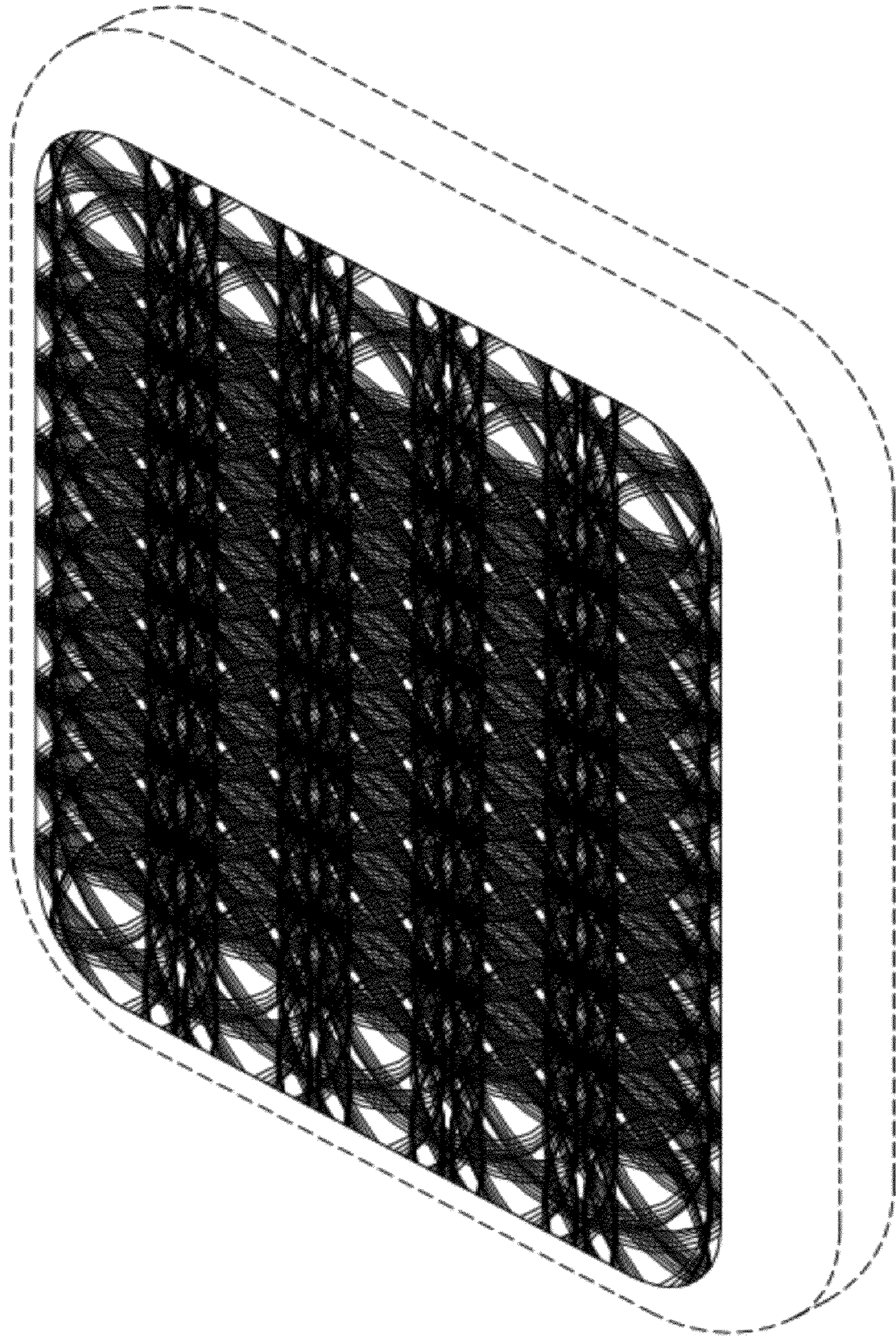


FIG. 1

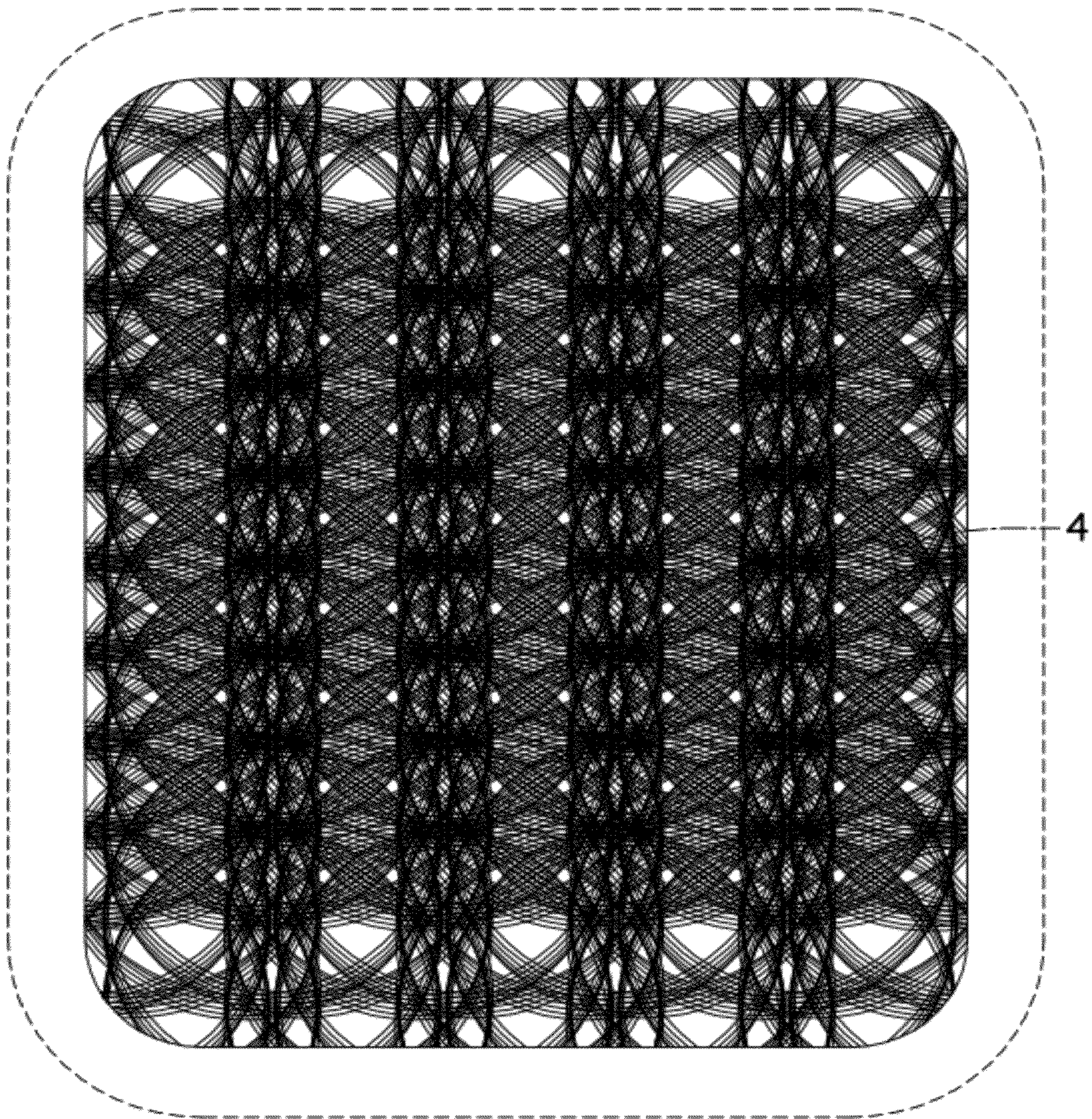


FIG. 2

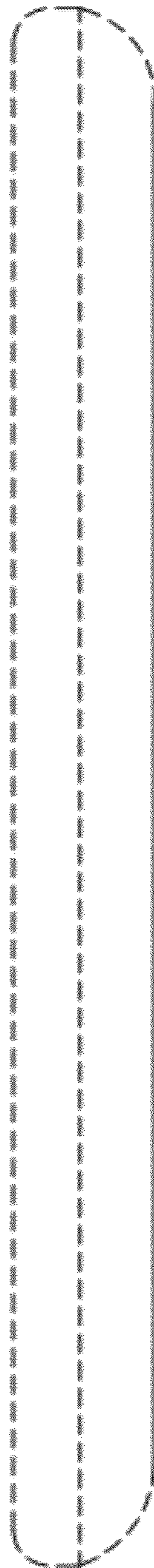


FIG. 3

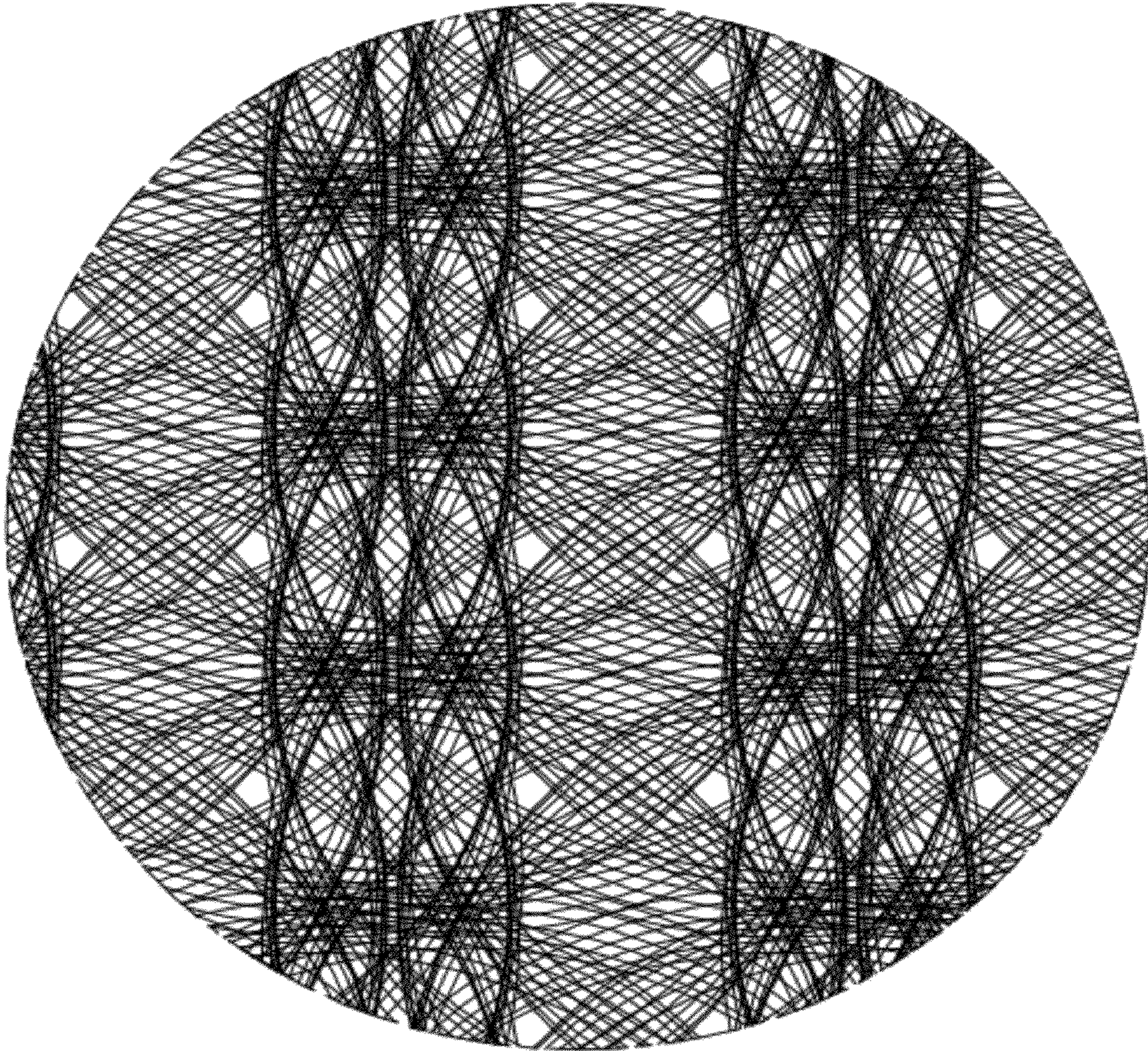


FIG. 4