

US00D665778S

(12) **United States Design Patent**  
**Langlois**

(10) **Patent No.:** **US D665,778 S**

(45) **Date of Patent:** **\*\* Aug. 21, 2012**

(54) **DISC JOCKEY CONTROLLER**

(75) Inventor: **Damon Langlois**, Victoria (CA)

(73) Assignee: **Gibson Guitar Corp.**, Nashville, TN  
(US)

(\*\*) Term: **14 Years**

(21) Appl. No.: **29/404,558**

(22) Filed: **Oct. 21, 2011**

(51) **LOC (9) Cl.** ..... **14-03**

(52) **U.S. Cl.** ..... **D14/217**

(58) **Field of Classification Search** ..... D14/162,  
D14/167-169, 175, 188, 196-199, 203, 217,  
D14/218, 356, 38, 399-401, 412-416, 432,  
D14/434, 454-457, 496; D21/324, 332,  
D21/333; 463/1, 30, 36-38, 46, 47; 345/156-161,  
345/905; D13/163, 164; 84/625, 660, 697;  
381/118, 120, 334; 455/350

See application file for complete search history.

(56) **References Cited**

**U.S. PATENT DOCUMENTS**

D426,231 S *	6/2000	Mackie	.....	D14/217
D436,347 S *	1/2001	Ito et al.	.....	D13/164
D453,327 S	2/2002	Takita		
D490,800 S *	6/2004	Kitazawa	.....	D14/217
D496,922 S *	10/2004	Kimura	.....	D14/500
D553,118 S *	10/2007	Williamson et al.	.....	D14/168
D553,608 S *	10/2007	Williamson et al.	.....	D14/168
D555,639 S	11/2007	Amiya		
D555,640 S	11/2007	Amiya		
D560,203 S *	1/2008	Williamson et al.	.....	D14/168
D561,742 S	2/2008	Takei		
D578,514 S *	10/2008	Mazur	.....	D14/217
D583,798 S *	12/2008	Iijima et al.	.....	D14/168
D592,208 S *	5/2009	Ishizaki et al.	.....	D14/257
D602,914 S	10/2009	Williamson et al.		
D605,604 S *	12/2009	El-Kiss	.....	D13/163
D615,993 S *	5/2010	Ho	.....	D14/496

D616,410 S *	5/2010	Sonoda et al.	.....	D14/168
D624,053 S *	9/2010	Williamson et al.	.....	D14/217
D628,981 S *	12/2010	Mazur	.....	D14/217
D641,733 S *	7/2011	Jenkins	.....	D14/217
D648,323 S *	11/2011	Medas	.....	D14/217
D648,324 S *	11/2011	Medas	.....	D14/217
2007/0280489 A1 *	12/2007	Roman et al.	.....	381/119

**OTHER PUBLICATIONS**

DigitalDJTips.com; Morse, Phil; "Review: Stanton SCS.4DJ-Proper Digital DJing without the Laptop"; <http://www.stanton-scs-4dj-controller-review/>; accessed Apr. 21, 2012; dated Aug. 22, 2011; 4p.\*  
Numark IDJ2 DJ Controller, accessed on the Internet at: [http://www.soundware.co.uk/imgPool/Numark%20iDJ21\\_width=415&height=220&crop=true.jpg](http://www.soundware.co.uk/imgPool/Numark%20iDJ21_width=415&height=220&crop=true.jpg) Date of Publication: at least as early as May 30, 2011.

\* cited by examiner

*Primary Examiner* — Stella Reid

*Assistant Examiner* — Keli L Hill

(74) *Attorney, Agent, or Firm* — Stone Creek LLC; Alan M. Flum

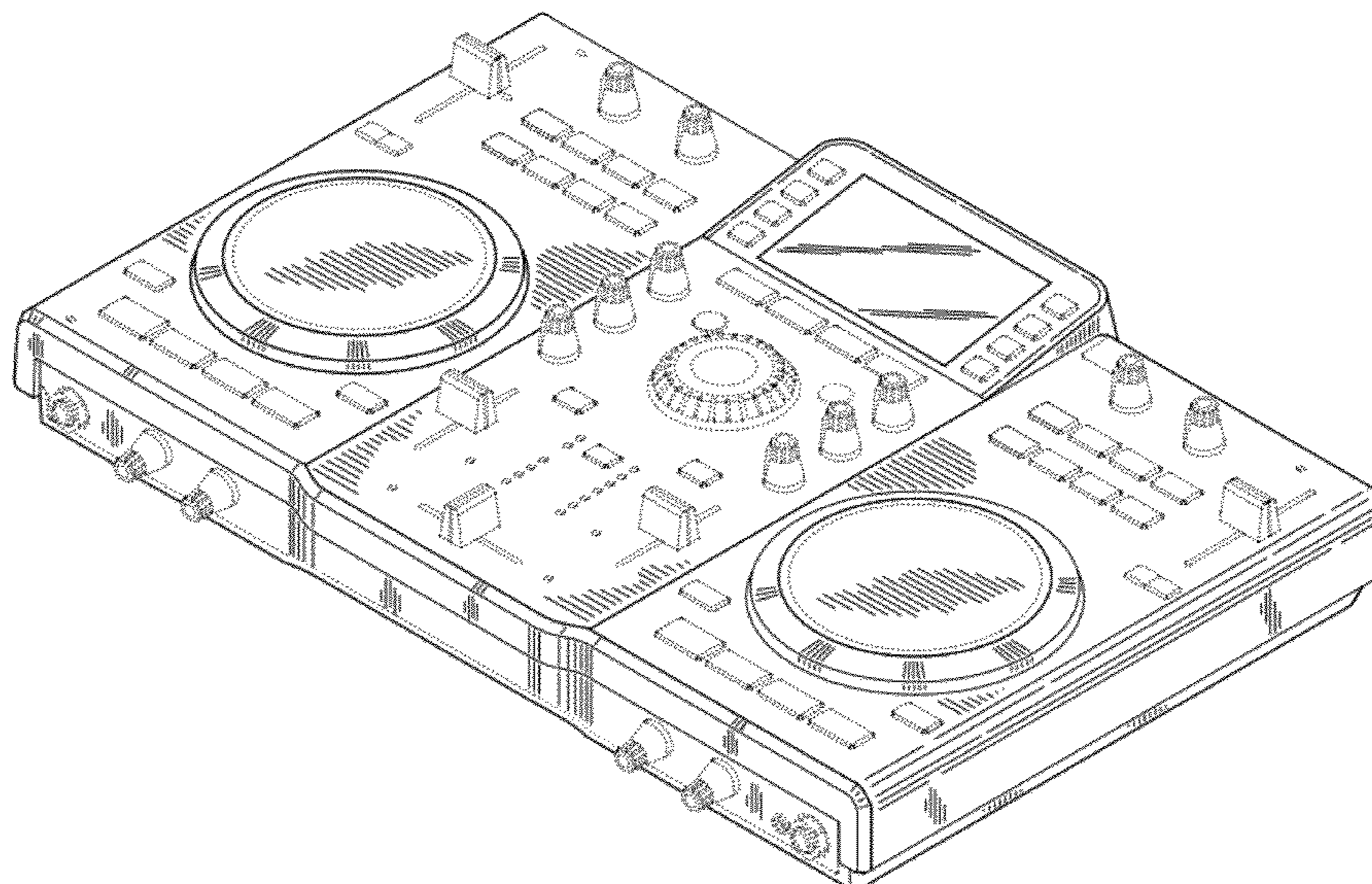
(57) **CLAIM**

The ornamental design for a disc jockey controller, as shown and described.

**DESCRIPTION**

FIG. 1 is a top perspective view of a disc jockey controller showing our new design;  
FIG. 2 is a top view thereof;  
FIG. 3 is a bottom view thereof;  
FIG. 4 is a front view thereof;  
FIG. 5 is a rear view thereof;  
FIG. 6 is a left side view thereof; and,  
FIG. 7 is a right side view thereof.  
The broken lines shown are included for the purpose of illustrating the unclaimed portions of the disc jockey controller and form no part of the claim.

**1 Claim, 5 Drawing Sheets**



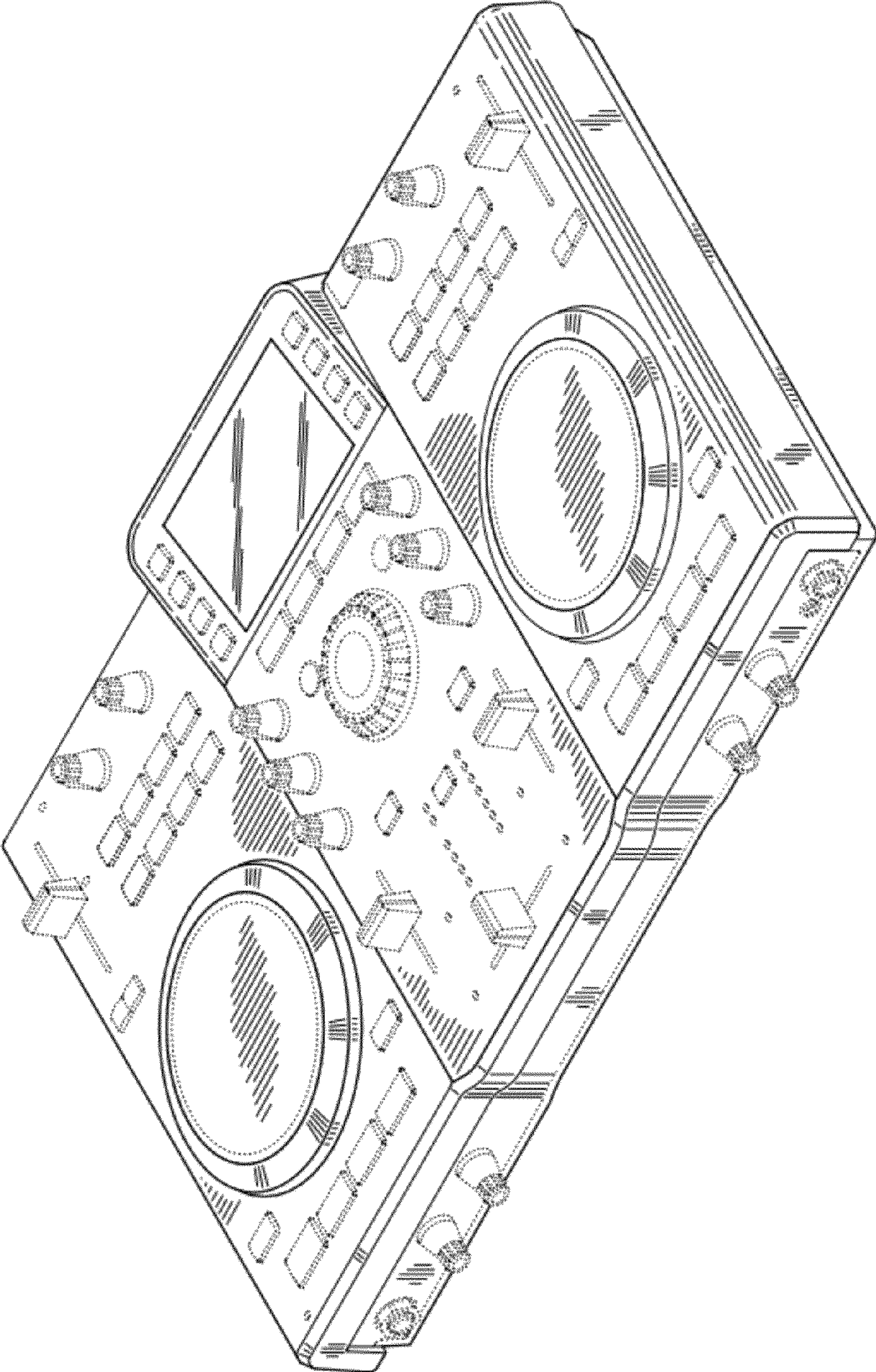


FIG. 1

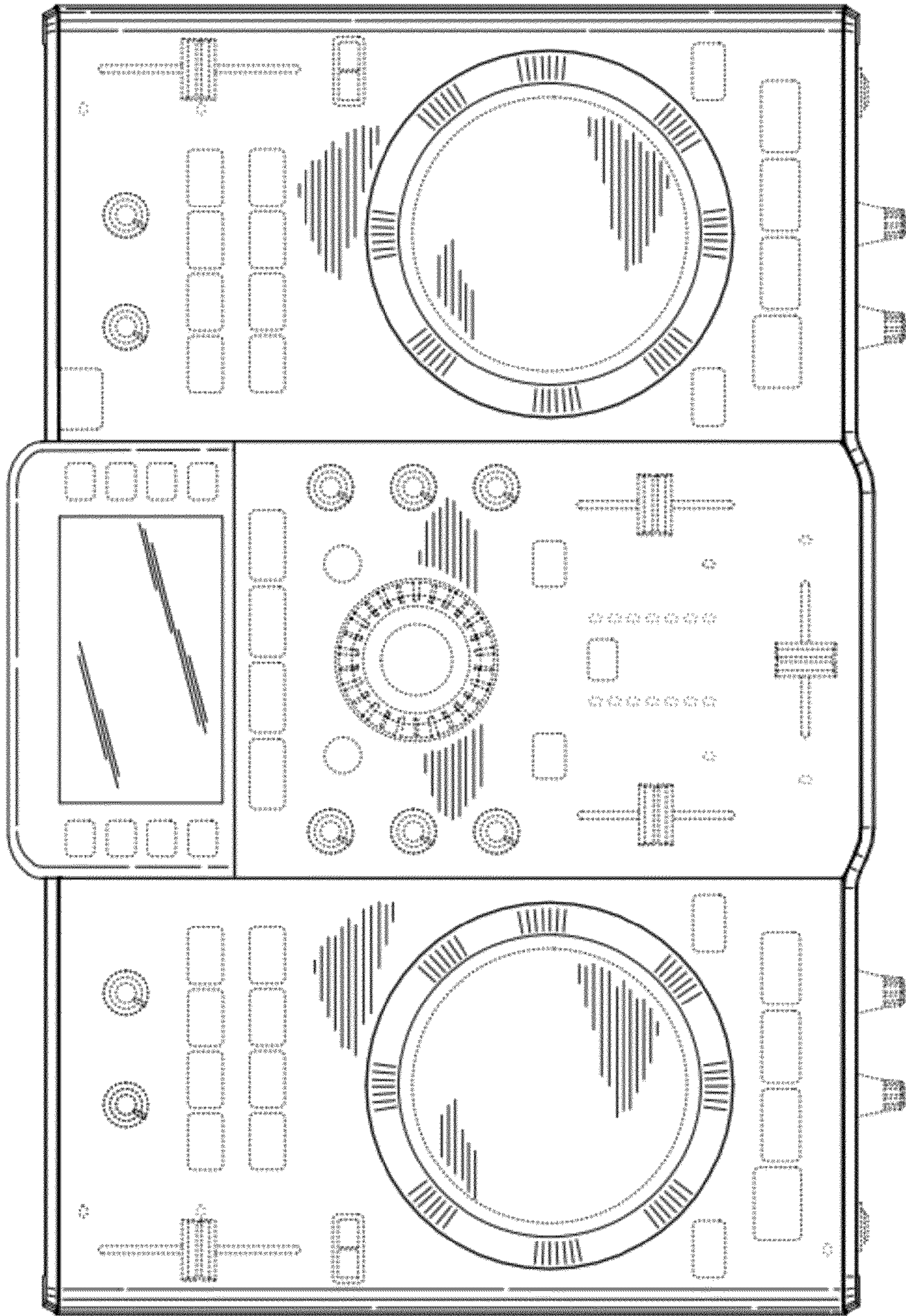


FIG. 2

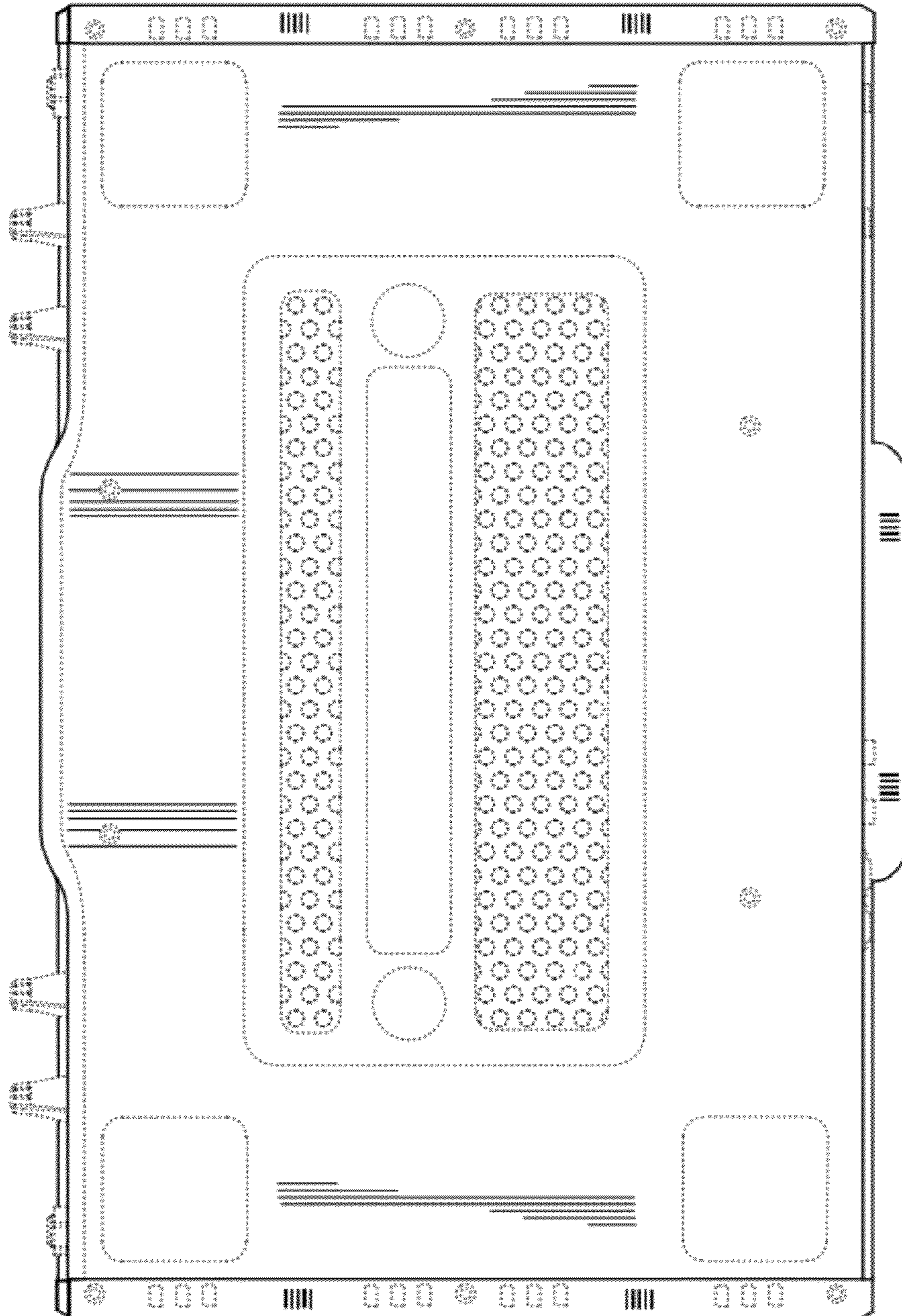


FIG. 3

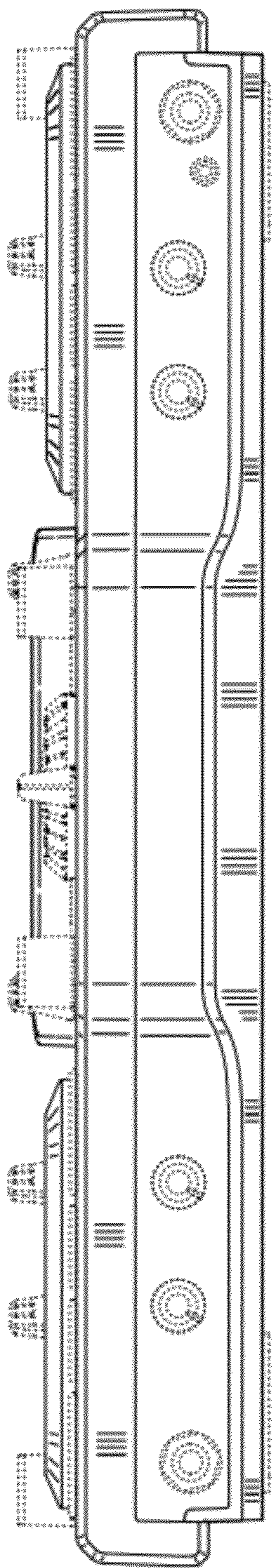


FIG. 4

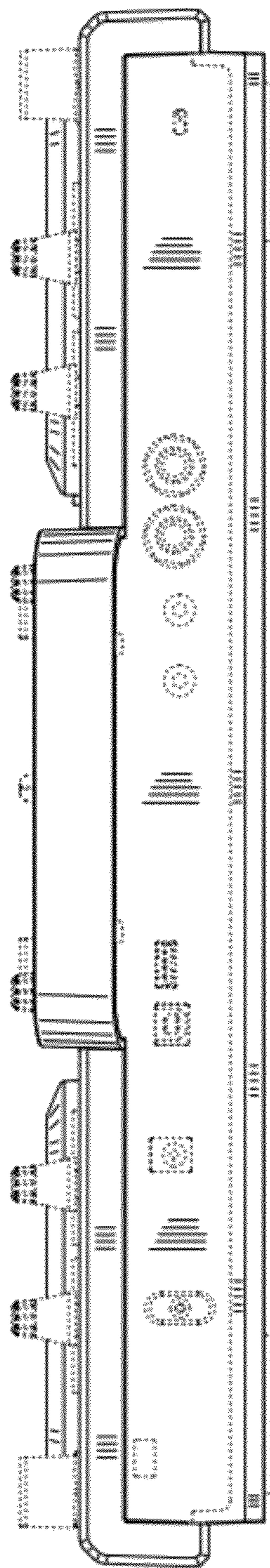


FIG. 5

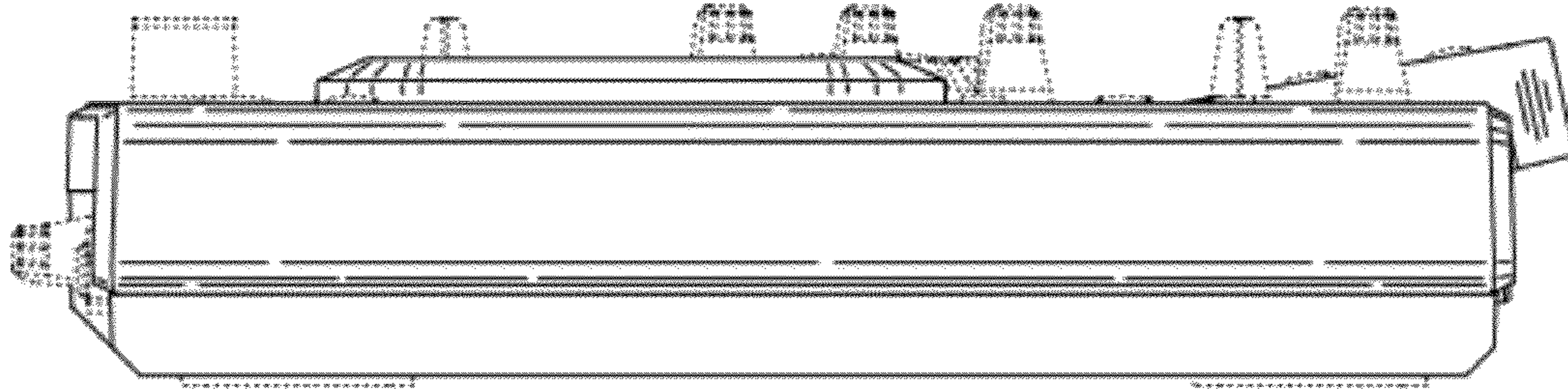


FIG. 6

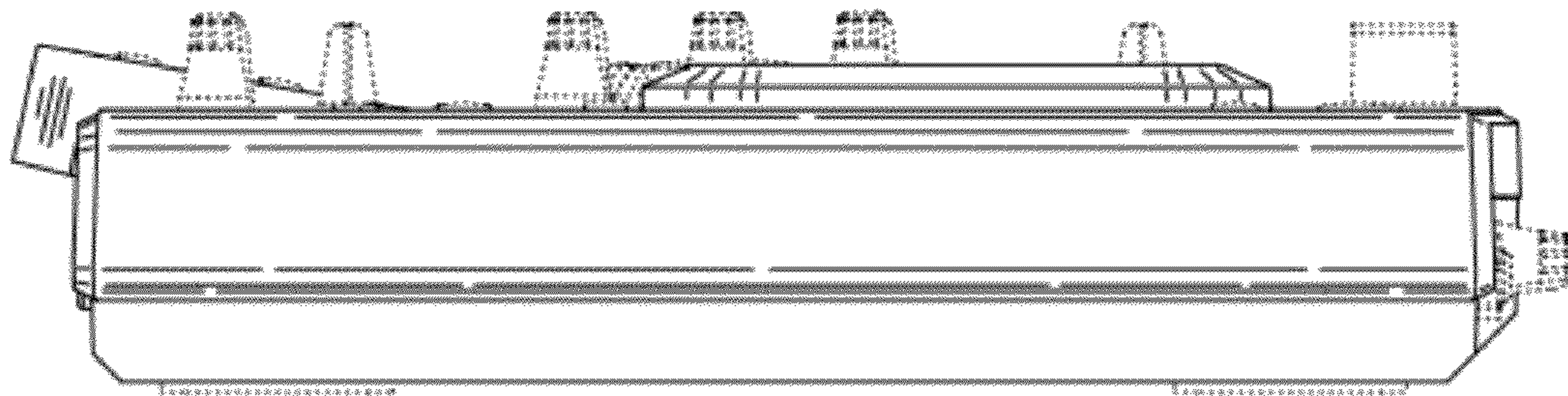


FIG. 7