



US00D665776S

(12) **United States Design Patent**
Alden et al.

(10) **Patent No.:** **US D665,776 S**
(45) **Date of Patent:** **** Aug. 21, 2012**

(54) **EAR CUP FOR EYEGGLASS SHAPED HEADPHONES**

(75) Inventors: **Richard P. Alden**, Park City, UT (US);
Peter M. Kelly, Park City, UT (US)

(73) Assignee: **Skullcandy, Inc.**, Park City, UT (US)

(**) Term: **14 Years**

(21) Appl. No.: **29/403,631**

(22) Filed: **Oct. 7, 2011**

Related U.S. Application Data

(63) Continuation of application No. 29/368,149, filed on Aug. 18, 2010, now Pat. No. Des. 650,356, and a continuation-in-part of application No. 29/353,324, filed on Jan. 6, 2010, now Pat. No. Des. 623,627.

(51) **LOC (9) Cl.** **14-01**

(52) **U.S. Cl.** **D14/205**

(58) **Field of Classification Search** D14/205, D14/206, 223, 192, 188; 181/129, 130, 135; 379/430, 431; 381/380, 381, 371; 2/209, 2/422-425; 455/90.3, 575.2; D29/112; 128/864
See application file for complete search history.

(56) **References Cited**

U.S. PATENT DOCUMENTS

3,122,613	A *	2/1964	Gongoll et al.	381/371
3,197,785	A *	8/1965	Simpson et al.	2/423
D229,833	S *	1/1974	Becker	D14/205
4,439,645	A *	3/1984	Scalzo	381/74
4,944,361	A *	7/1990	Lindgren et al.	181/129
D313,092	S *	12/1990	Nilsson	D29/112
D336,646	S *	6/1993	Yamazaki et al.	D14/205
5,384,857	A *	1/1995	Nordin et al.	381/378
5,920,911	A *	7/1999	Cushman	2/209
5,996,123	A *	12/1999	Leight et al.	2/209
D427,382	S *	6/2000	Leight et al.	D29/112
6,474,585	B2 *	11/2002	Liao	242/378.1

7,377,666	B1 *	5/2008	Tyler	362/105
D606,970	S *	12/2009	Semcken	D14/205
7,766,120	B2 *	8/2010	Hansson et al.	181/129
7,853,034	B1 *	12/2010	Gresko	381/372
7,869,615	B2 *	1/2011	Chang	381/371
D634,298	S *	3/2011	Shimizu et al.	D14/205
D650,356	S *	12/2011	Alden et al.	D14/205
D651,764	S *	1/2012	Gresko et al.	D29/112
D657,776	S *	4/2012	Lee et al.	D14/205
D659,116	S *	5/2012	Iseki	D14/205

FOREIGN PATENT DOCUMENTS

EM DM/052815 6/2000

(Continued)

Primary Examiner — Paula Greene

(74) *Attorney, Agent, or Firm* — Workman Nydegger

(57) **CLAIM**

The ornamental design for ear cup for eyeglass shaped headphones.

DESCRIPTION

FIG. 1 is a front left perspective view of a left ear cup for eyeglass shaped headphones, the opposing right ear cup being a mirror image thereof;

FIG. 2 is a front elevational view thereof;

FIG. 3 is a rear elevational view thereof;

FIG. 4 is an elevated left view thereof;

FIG. 5 is an elevated right view thereof showing the right ear cup;

FIG. 6 is an top plan view thereof;

FIG. 7 is bottom plan view thereof;

FIG. 8 is an isolated front left perspective view of an ear cup for eyeglass shaped headphones; and,

FIG. 9 is an isolated left view of an ear cup for eyeglass shaped headphones.

The dotted lines illustrate environmental features of exemplary eyeglass shaped headphones, and form no part of the claimed design.

1 Claim, 6 Drawing Sheets



US D665,776 S

Page 2

FOREIGN PATENT DOCUMENTS			GB	4016438	8/2010
EM	001548132-0001	6/2009	RU	61310	1/2007
EM	001665068-0001	2/2010			
EM	001728510-002	9/2010			

* cited by examiner

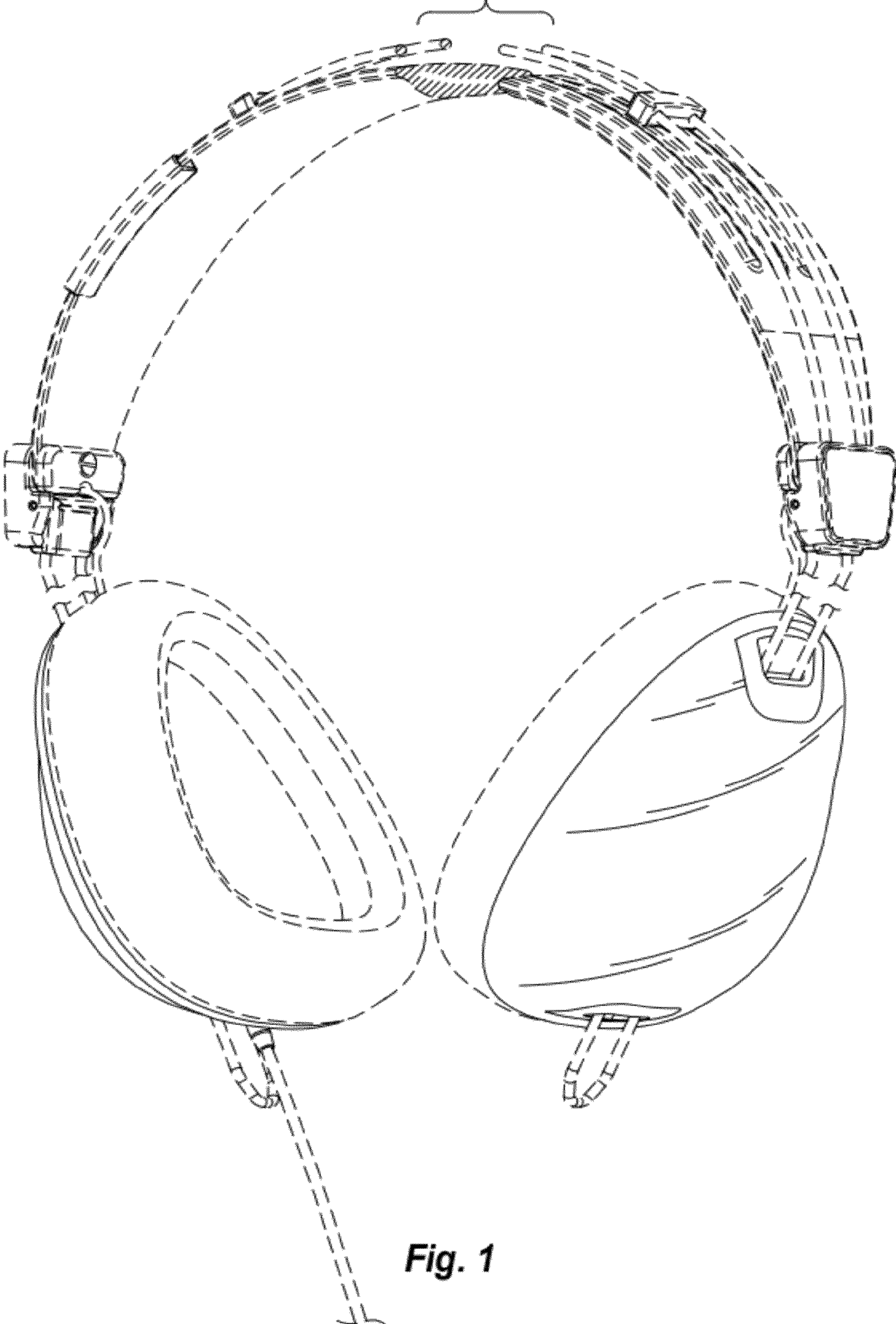
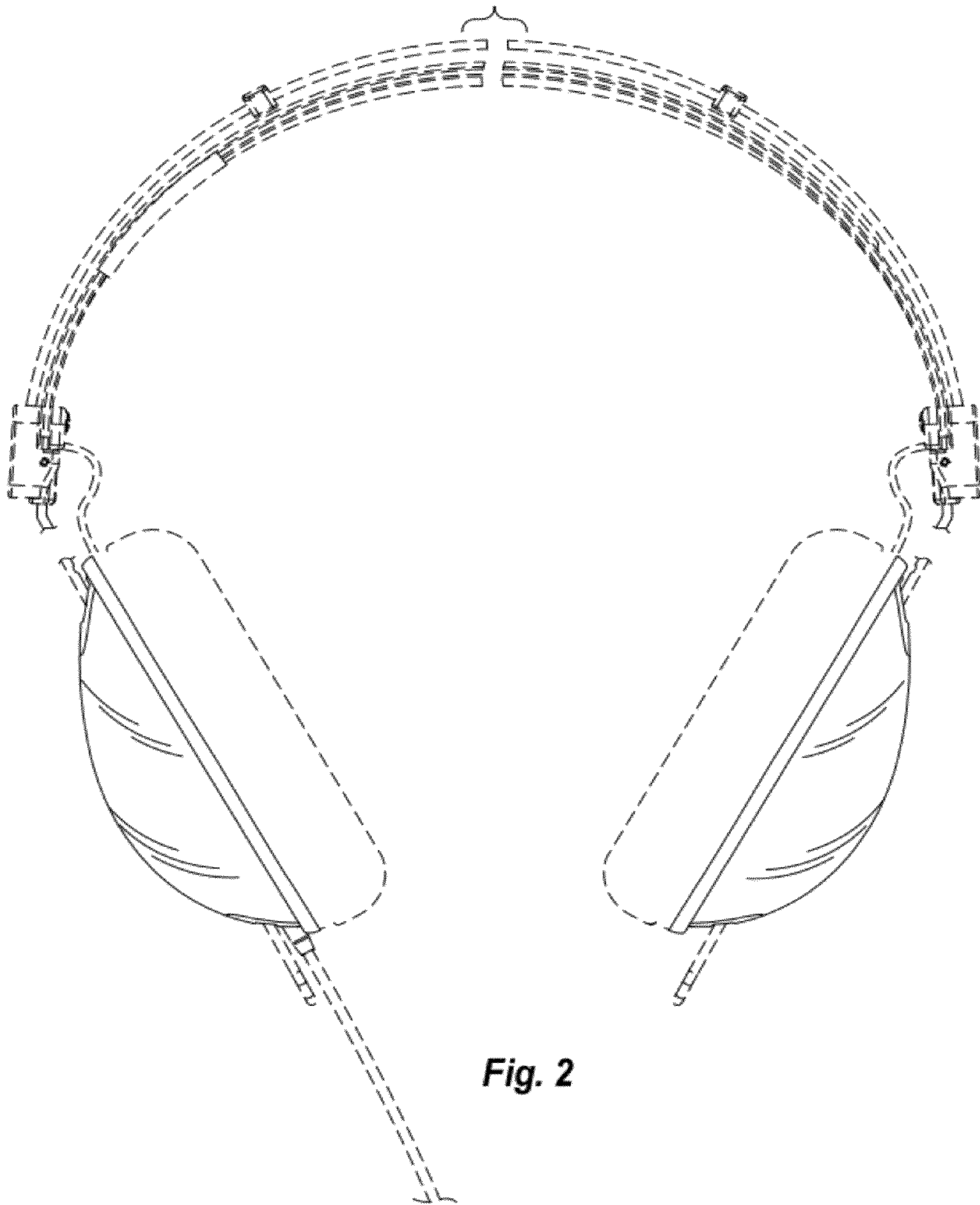


Fig. 1





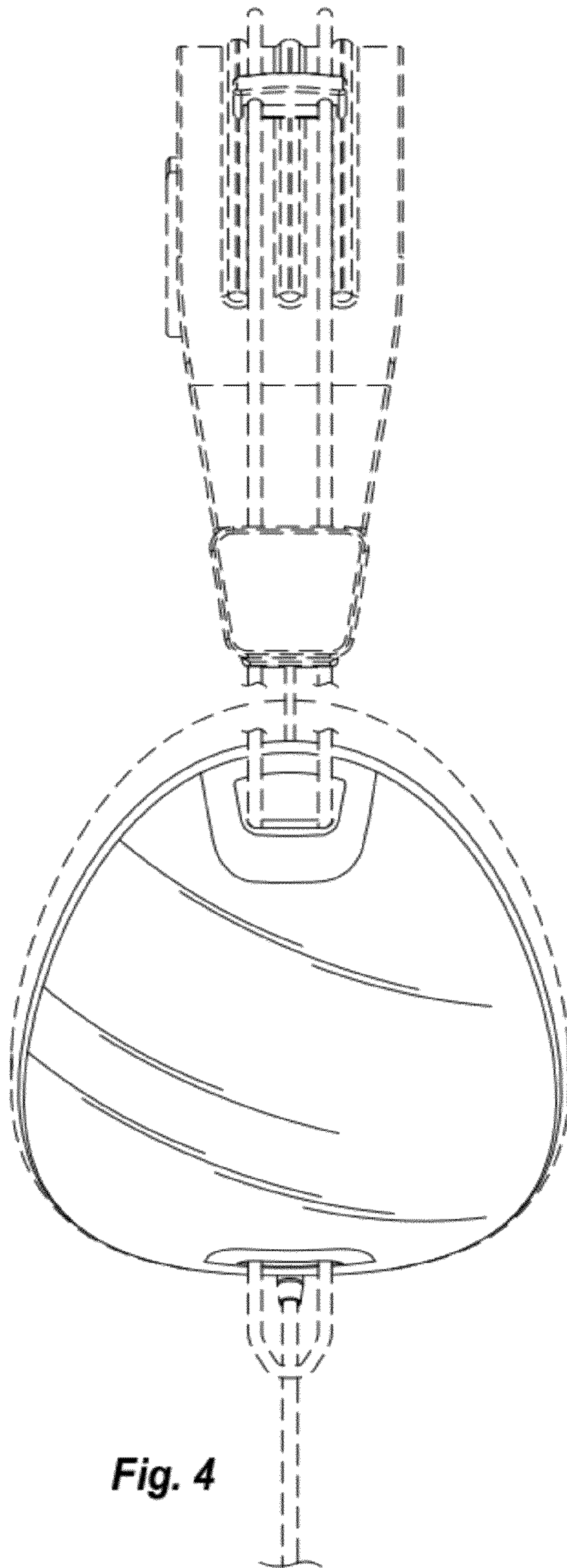


Fig. 4

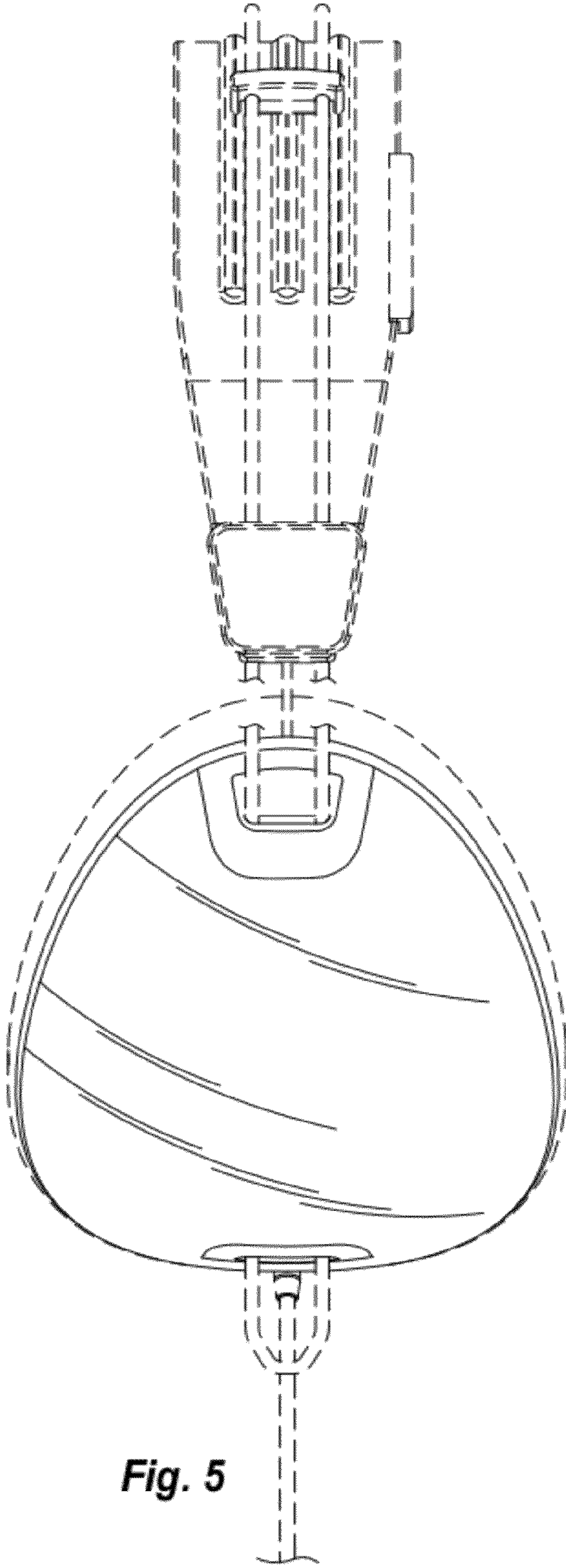


Fig. 5

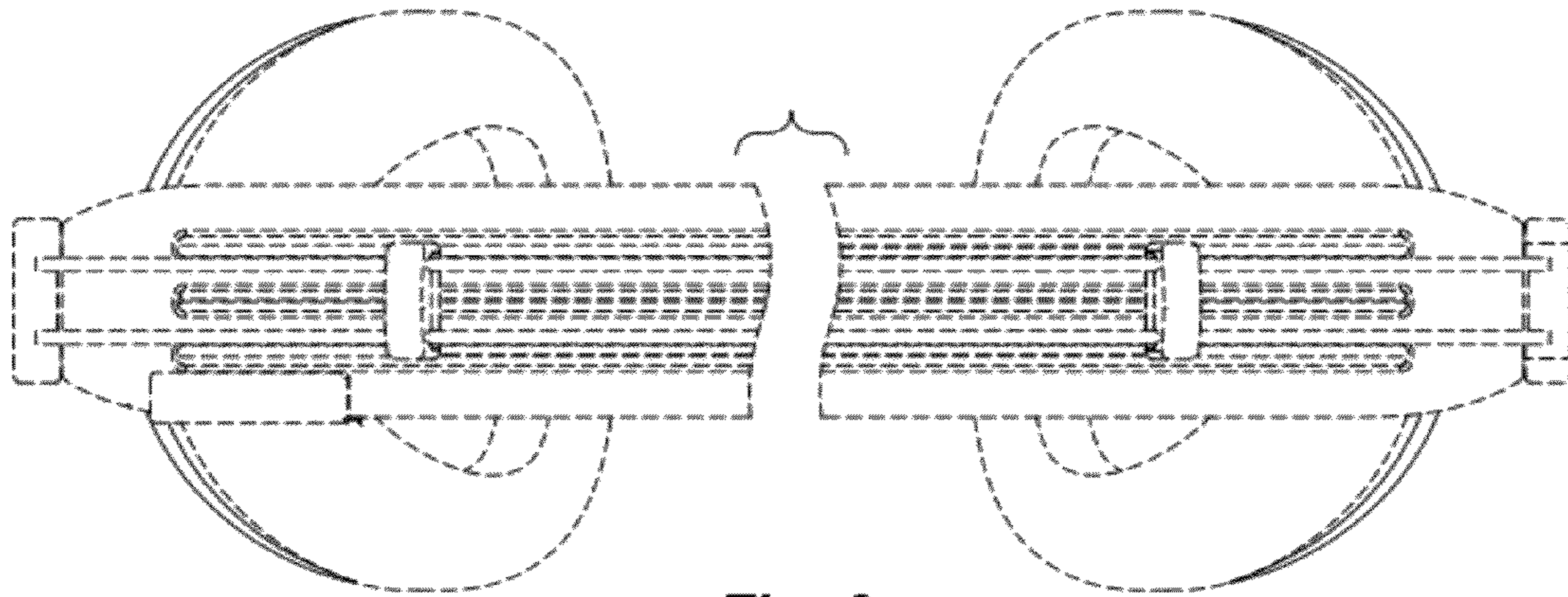


Fig. 6

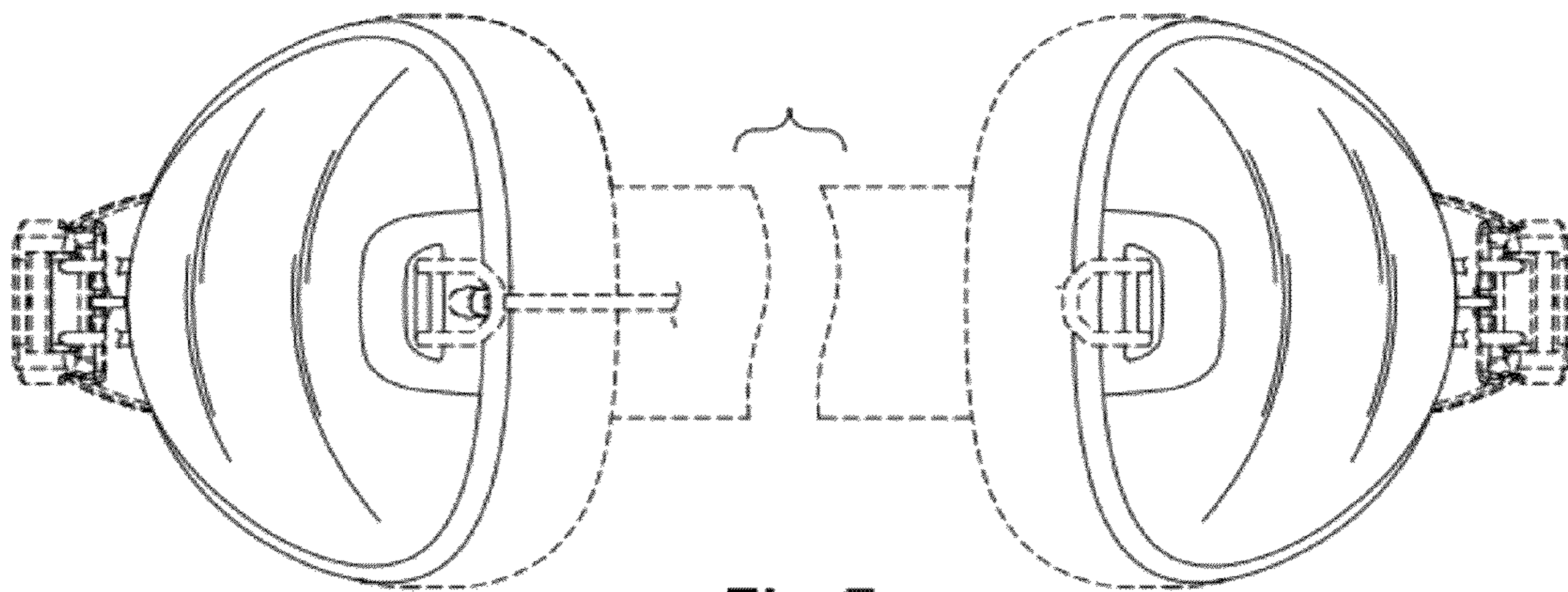


Fig. 7

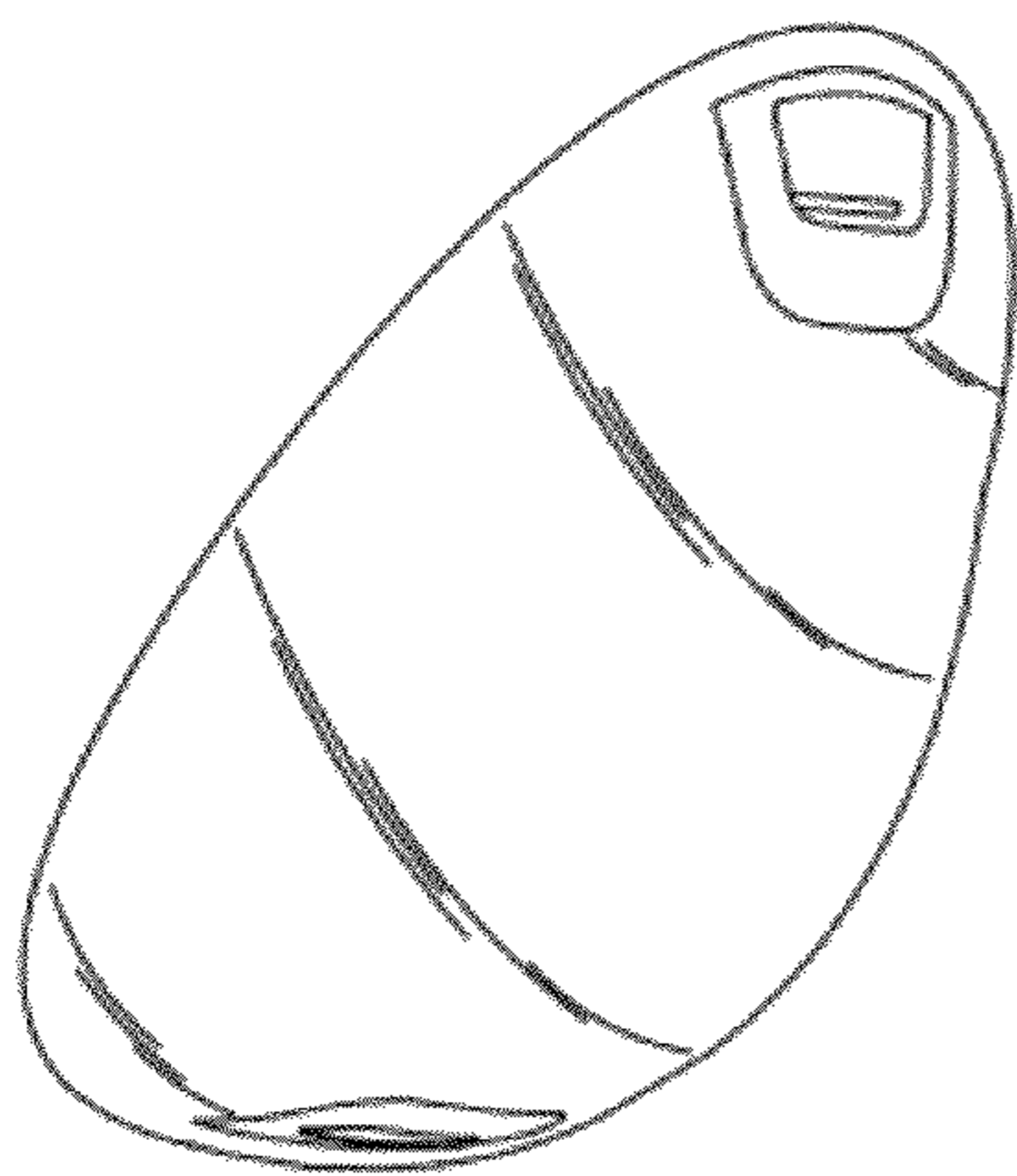


Fig. 8

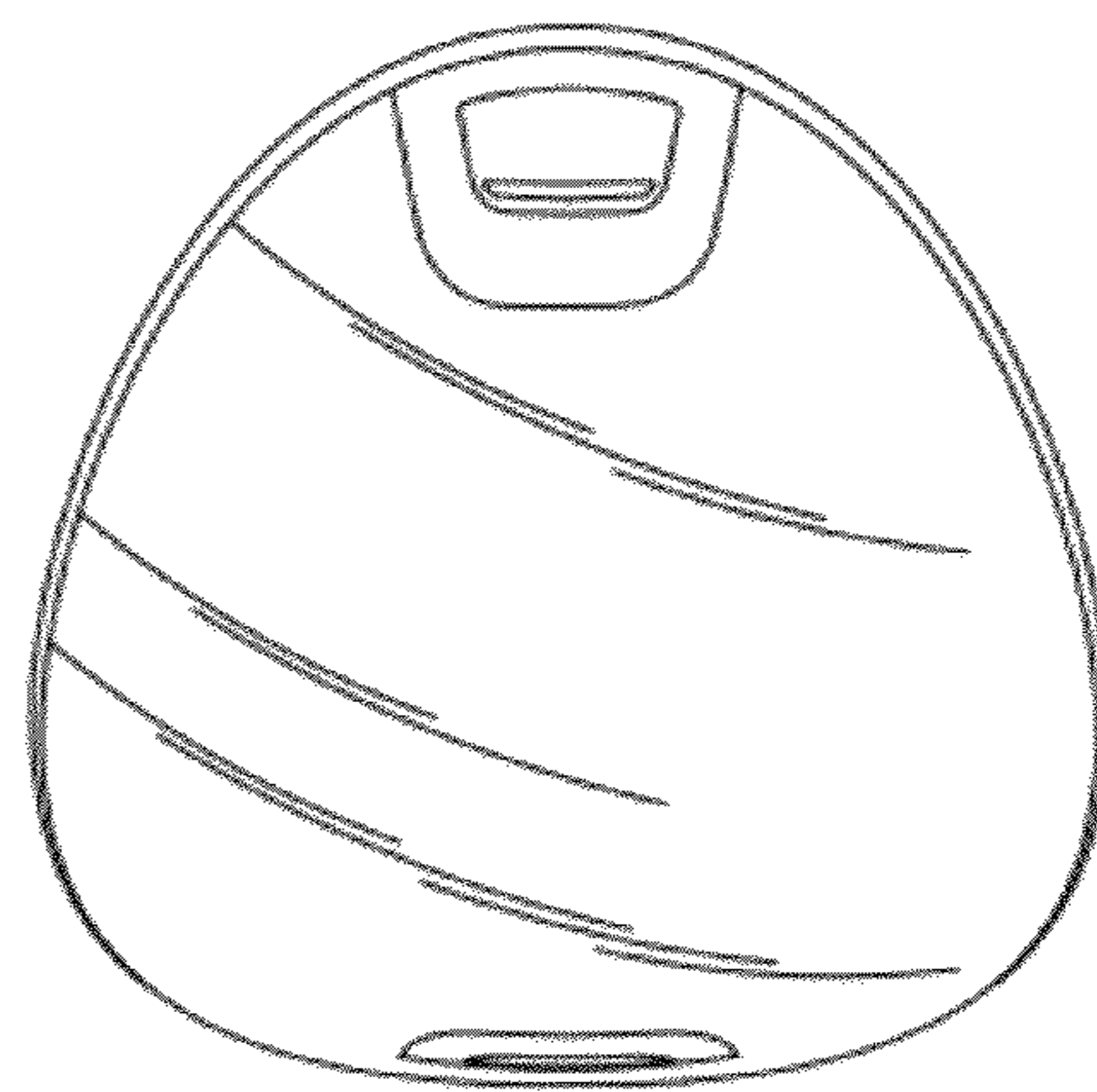


Fig. 9