



US00D665775S

(12) **United States Design Patent**
Katsumata

(10) **Patent No.:** **US D665,775 S**

(45) **Date of Patent:** **** Aug. 21, 2012**

(54) **HEADPHONE**

(75) Inventor: **Jun Katsumata**, Tokyo (JP)

(73) Assignee: **Sony Corporation**, Tokyo (JP)

(**) Term: **14 Years**

(21) Appl. No.: **29/371,888**

(22) Filed: **Dec. 28, 2011**

(51) **LOC (9) Cl.** **14-01**

(52) **U.S. Cl.** **D14/205**

(58) **Field of Classification Search** D14/205,
D14/206, 223; D29/112; 2/209; 181/129,
181/130, 135; 379/430, 431; 381/380, 381,
381/374, 371, 383; 455/90.3, 575.1
See application file for complete search history.

(56) **References Cited**

U.S. PATENT DOCUMENTS

D337,115	S	*	7/1993	Yamazaki et al.	D14/205
6,654,966	B2	*	12/2003	Rolla	2/209
D491,163	S		6/2004	Green		
D512,708	S	*	12/2005	Harris et al.	D14/205
D538,261	S		3/2007	Taylor et al.		
D573,581	S	*	7/2008	Gondo et al.	D14/205
D585,871	S		2/2009	Lee		
D585,872	S	*	2/2009	Lee	D14/205
D588,100	S		3/2009	Densho et al.		
D593,995	S	*	6/2009	Shimizu	D14/205
D594,847	S	*	6/2009	Suzuki	D14/205

D597,070	S		7/2009	Zheng		
D600,674	S	*	9/2009	Brennwald	D14/205
D603,370	S		11/2009	Suzuki		
D616,865	S		6/2010	Marchand et al.		
D616,965	S	*	6/2010	Miyazoe et al.	D23/233
D617,770	S		6/2010	Sanguinetti et al.		
D625,705	S	*	10/2010	Ohuri et al.	D14/205
D633,471	S		3/2011	Sugiyama		
D634,732	S	*	3/2011	Kondo et al.	D14/205
D637,579	S		5/2011	Hamaura et al.		
8,098,872	B2	*	1/2012	Chang	381/371
D657,346	S	*	4/2012	Park	D14/205

* cited by examiner

Primary Examiner — Paula Greene

(74) *Attorney, Agent, or Firm* — Rader, Fishman & Grauer PLLC

(57) **CLAIM**

The ornamental design for a headphone, as shown and described.

DESCRIPTION

FIG. 1 is a perspective view of a headphone showing my new design;

FIG. 2 is a front elevational view thereof;

FIG. 3 is a rear elevational view thereof;

FIG. 4 is a left side elevational view thereof;

FIG. 5 is a right side elevational view thereof;

FIG. 6 is a top plan view thereof; and,

FIG. 7 is a bottom plan view thereof.

1 Claim, 5 Drawing Sheets

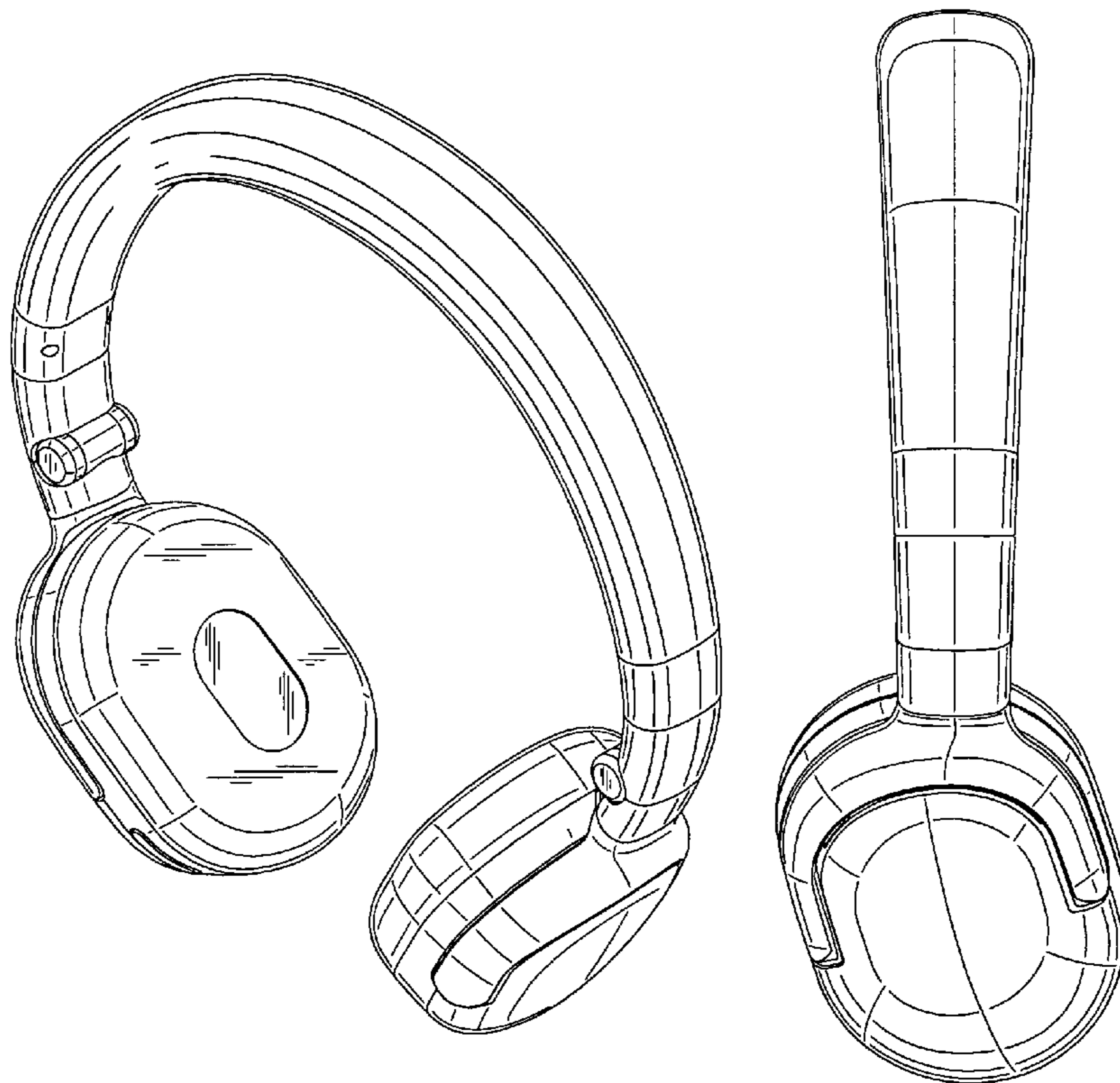


FIG. 1

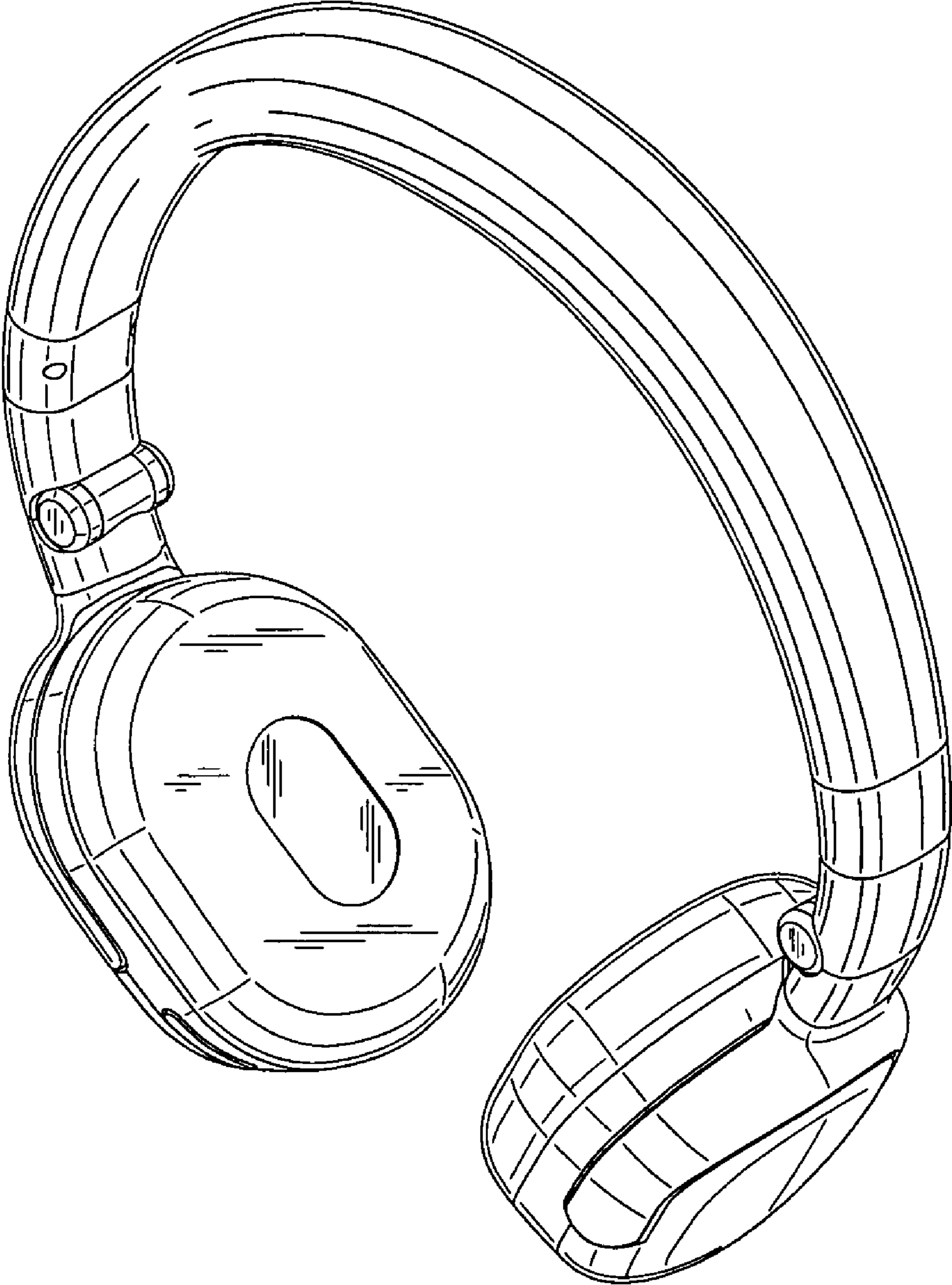


FIG.2



FIG.3



FIG.4

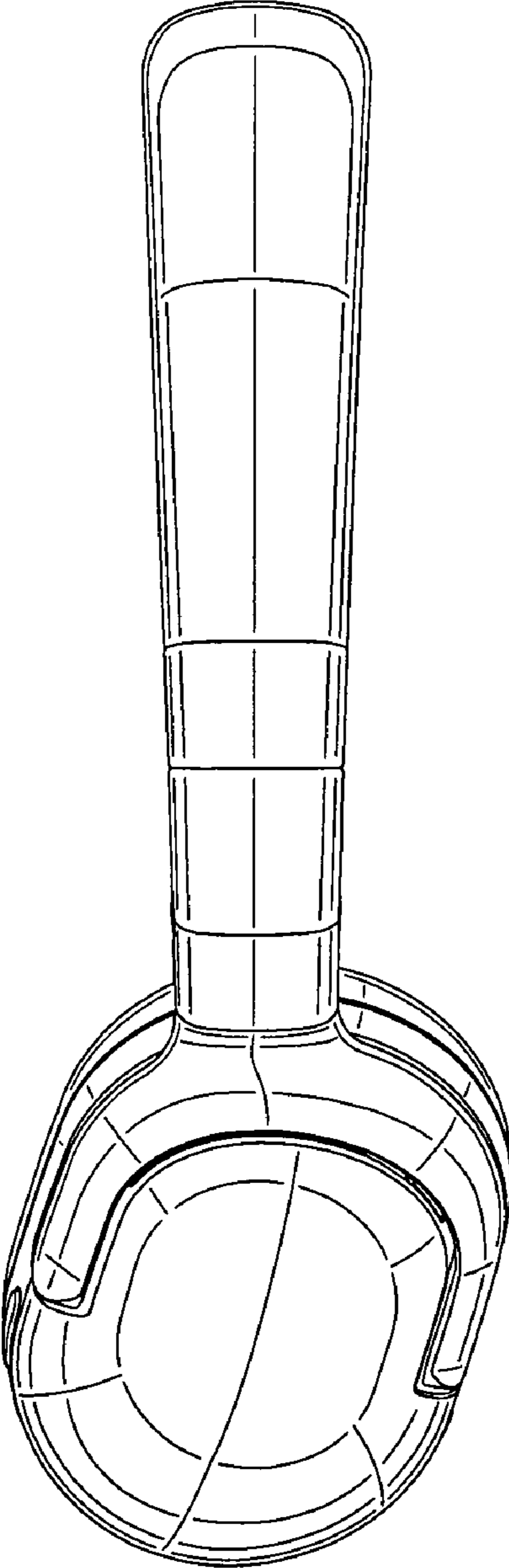


FIG.5

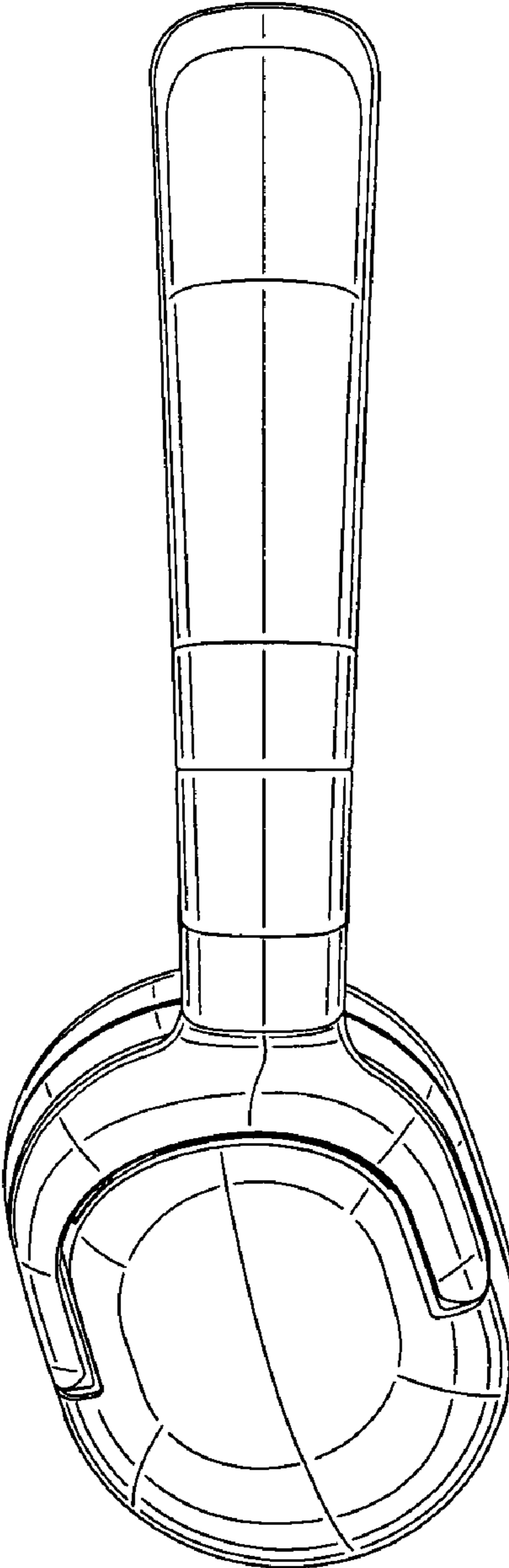


FIG.6

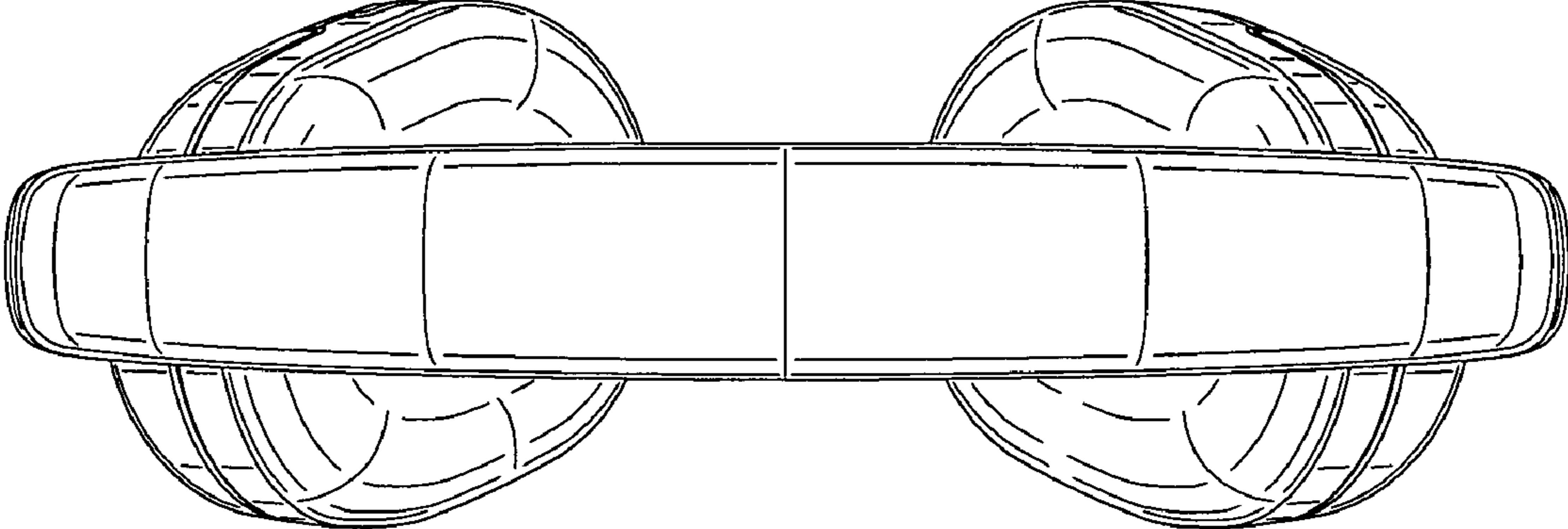


FIG.7

