



US00D665774S

(12) **United States Design Patent**
Akana et al.

(10) **Patent No.:** **US D665,774 S**
(45) **Date of Patent:** **** Aug. 21, 2012**

- (54) **ELECTRONIC DEVICE**
(75) Inventors: **Jody Akana**, San Francisco, CA (US);
Bartley K. Andre, Menlo Park, CA (US);
Jeremy Bataillou, San Francisco, CA (US);
Daniel J. Coster, San Francisco, CA (US);
Daniele De Iuliis, San Francisco, CA (US);
Evans Hankey, San Francisco, CA (US);
Richard P. Howarth, San Francisco, CA (US);
Jonathan P. Ive, San Francisco, CA (US);
Duncan Robert Kerr, San Francisco, CA (US);
Shin Nishibori, Portola Valley, CA (US);
Matthew Dean Rohrbach, San Francisco, CA (US);
Peter Russell-Clarke, San Francisco, CA (US);
Christopher J. Stringer, Woodside, CA (US);
Eugene Antony Whang, San Francisco, CA (US);
Rico Zorkendorfer, San Francisco, CA (US)
- (73) Assignee: **Apple Inc.**, Cupertino, CA (US)
(**) Term: **14 Years**
(21) Appl. No.: **29/414,100**
(22) Filed: **Feb. 24, 2012**

Related U.S. Application Data

- (60) Continuation of application No. 29/400,904, filed on Sep. 2, 2011, now Pat. No. Des. 655,688, which is a continuation of application No. 29/386,812, filed on Mar. 4, 2011, now Pat. No. Des. 644,624, which is a continuation of application No. 29/366,863, filed on Jul. 30, 2010, now Pat. No. Des. 634,297, which is a division of application No. 29/343,062, filed on Sep. 4, 2009, now Pat. No. Des. 622,696.
- (51) **LOC (9) Cl.** **14-03**
(52) **U.S. Cl.** **D14/203.1**; D14/496; D14/203.7
(58) **Field of Classification Search** D14/496, D14/401, 435, 474, 483, 217, 137, 138, 160, D14/168, 356, 203.1–203.8, 507, 144; 345/156, 345/169, 173–179, 905; 715/727–729, 864; 710/1, 5, 8; 713/1, 600; 455/1.1, 1.7, 73, 455/344–347, 93, 95, 3.01–3.06, 550.1, 573.1; 370/342–344; 369/1, 2, 6–12; 463/43–47; 273/148 B; D16/208; 348/207.1, 207.11, 348/207.99, 208.15, 373–376

See application file for complete search history.

(56) **References Cited**

U.S. PATENT DOCUMENTS
D306,519 S 3/1990 Nakata
(Continued)

FOREIGN PATENT DOCUMENTS
CN 3513646D 3/2006
(Continued)

OTHER PUBLICATIONS
Saytes, "Saytes: Tecnologia sumergible," Saytes.es, accessed at http://www.saytes.es/product_info.php?products_id=494, retrieved Feb. 18, 2009, 1 page.

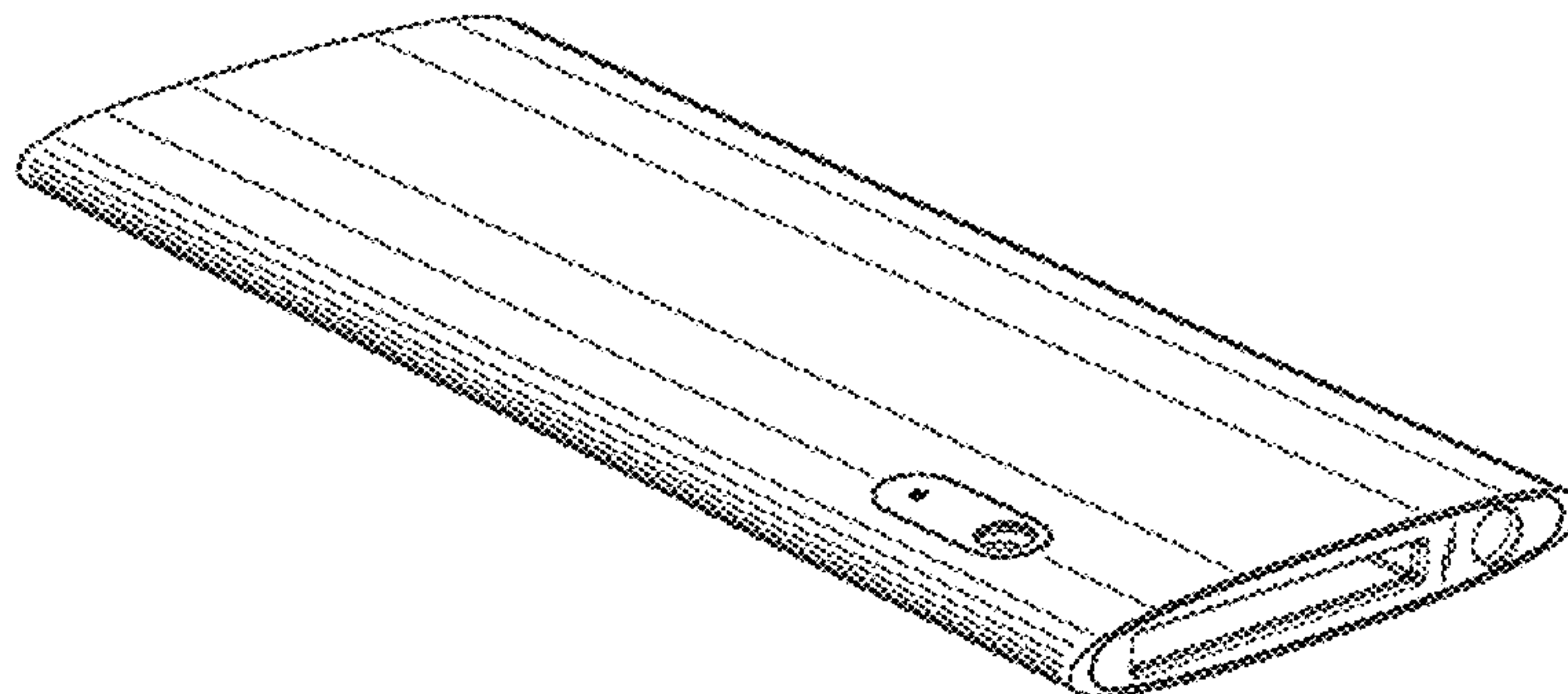
Primary Examiner — Prabhakar Deshmukh
(74) *Attorney, Agent, or Firm* — Sterne, Kessler, Goldstein & Fox PLLC

(57) **CLAIM**
The ornamental design for an electronic device, as shown and described.

DESCRIPTION

FIG. 1 is a bottom front perspective view of an electronic device showing our new design;
FIG. 2 is a bottom rear perspective view thereof;
FIG. 3 is front view thereof;
FIG. 4 is rear view thereof;
FIG. 5 is a top plan view thereof;
FIG. 6 is a left side view thereof;
FIG. 7 is a right side view thereof;
FIG. 8 is bottom plan view thereof;
FIG. 9 is a top rear perspective view thereof; and,
FIG. 10 is a top front perspective view thereof.
The dashed broken lines in the Figures show portions of the electronic device which form no part of the claimed design. The dot dash lines in the Figures represent an unclaimed boundary line and form no part of the claimed design. The shade lines in the Figures show contour and not surface ornamentation.

1 Claim, 5 Drawing Sheets



US D665,774 S

Page 2

U.S. PATENT DOCUMENTS

6,092,694 A 7/2000 Sadow
6,122,526 A * 9/2000 Parulski et al. 455/556.1
D432,523 S 10/2000 Grinkus et al.
D438,525 S 3/2001 Katayama
D446,499 S 8/2001 Andre et al.
D469,109 S 1/2003 Andre et al.
D473,207 S 4/2003 Tanio
6,558,835 B1 * 5/2003 Kurisu et al. 429/159
D497,618 S 10/2004 Andre et al.
D503,409 S 3/2005 Wong et al.
D506,476 S 6/2005 Andre et al.
D516,576 S 3/2006 Ive et al.
D516,579 S 3/2006 Nakamura
7,013,164 B2 * 3/2006 Lin 455/557
D518,290 S 4/2006 Andre et al.
D525,987 S 8/2006 Kim
D529,512 S 10/2006 Reawsanguanwong
D538,820 S 3/2007 Andre et al.
D539,814 S 4/2007 Andre et al.
7,230,822 B2 6/2007 Langberg et al.
D547,349 S 7/2007 Sakaguchi et al.

D548,744 S 8/2007 Andre et al.
D548,745 S 8/2007 Andre et al.
D550,714 S 9/2007 Ferraboshi
D555,169 S 11/2007 Shimizu et al.
D556,196 S 11/2007 Cheng
D565,596 S 4/2008 Kim
D568,338 S 5/2008 Andre et al.
D570,872 S 6/2008 Niizawa et al.
D570,876 S 6/2008 Lee
D574,014 S 7/2008 Dai
D586,740 S 2/2009 Song
D590,826 S 4/2009 Andre et al.
D604,713 S 11/2009 Andre et al.
D622,696 S * 8/2010 Akana et al. D14/203.7
D634,297 S * 3/2011 Akana et al. D14/203.1
D635,123 S * 3/2011 Andre et al. D14/203.3
D644,624 S * 9/2011 Akana et al. D14/203.1

FOREIGN PATENT DOCUMENTS

CN 3543434D 7/2006
CN 300738882 1/2008

* cited by examiner

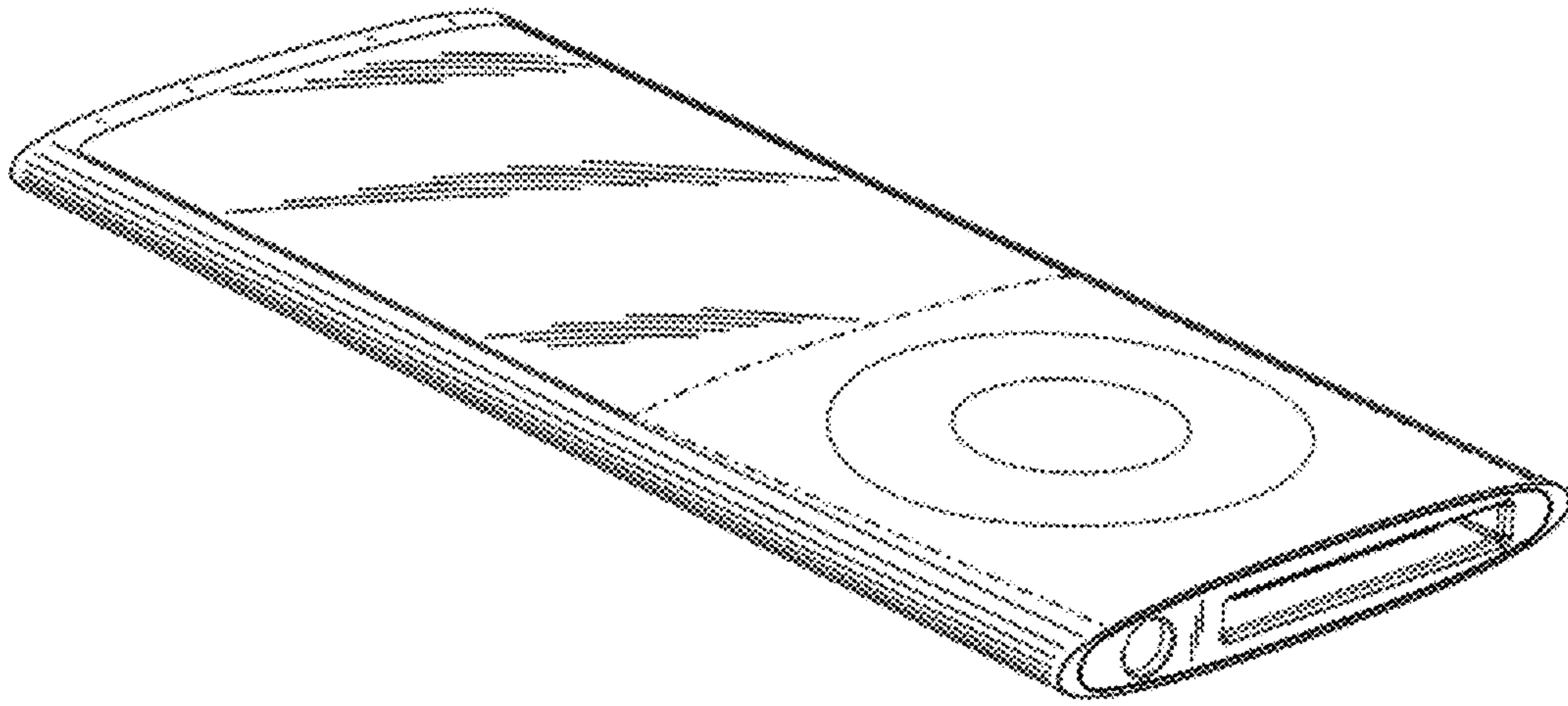


FIG. 1

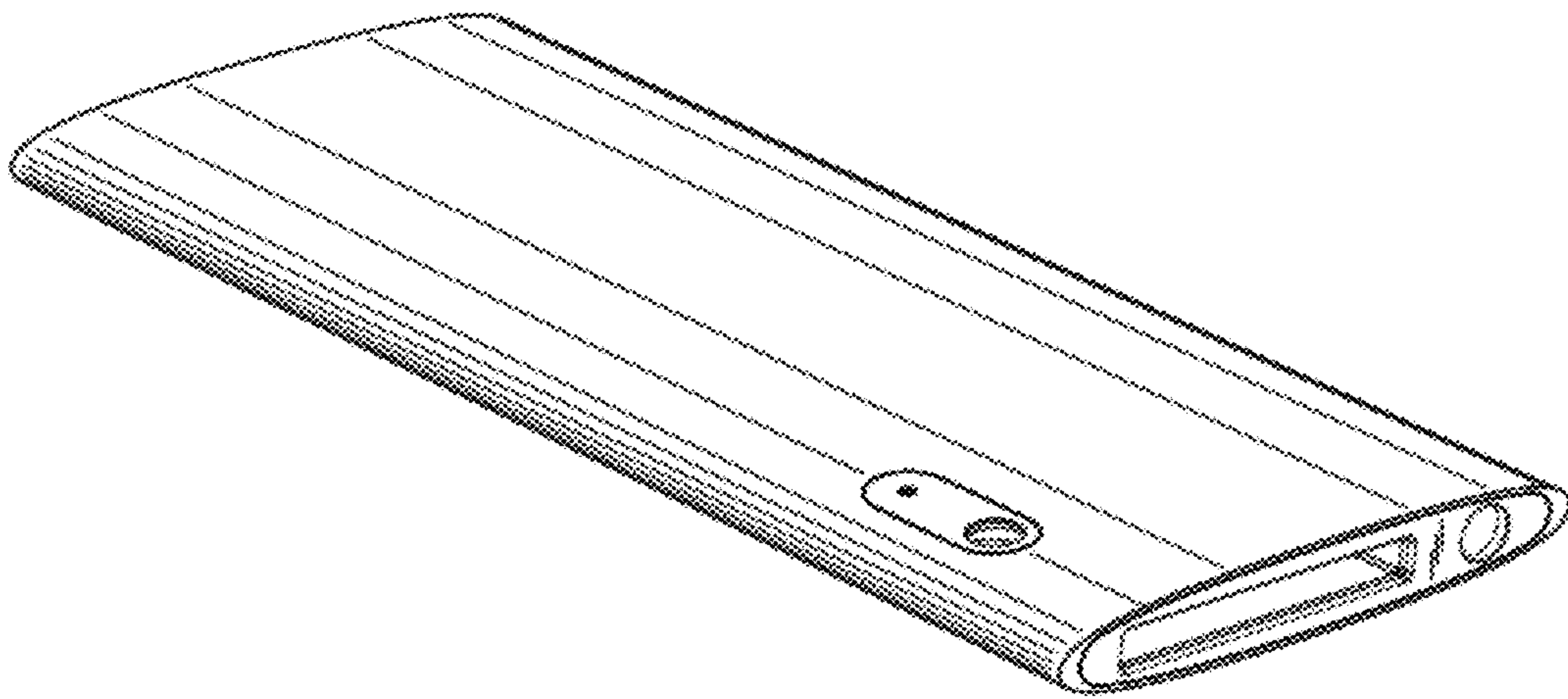


FIG. 2

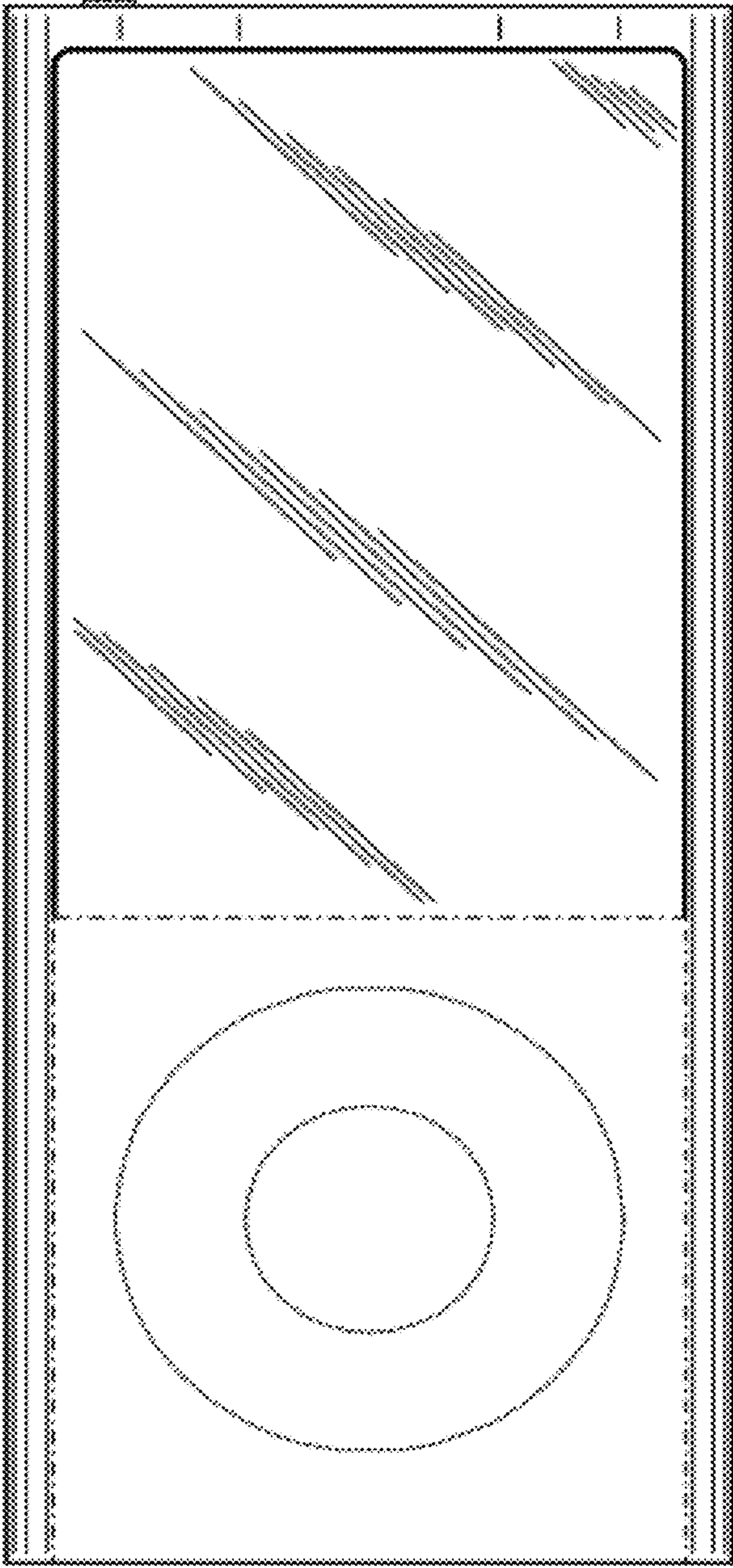


FIG. 3

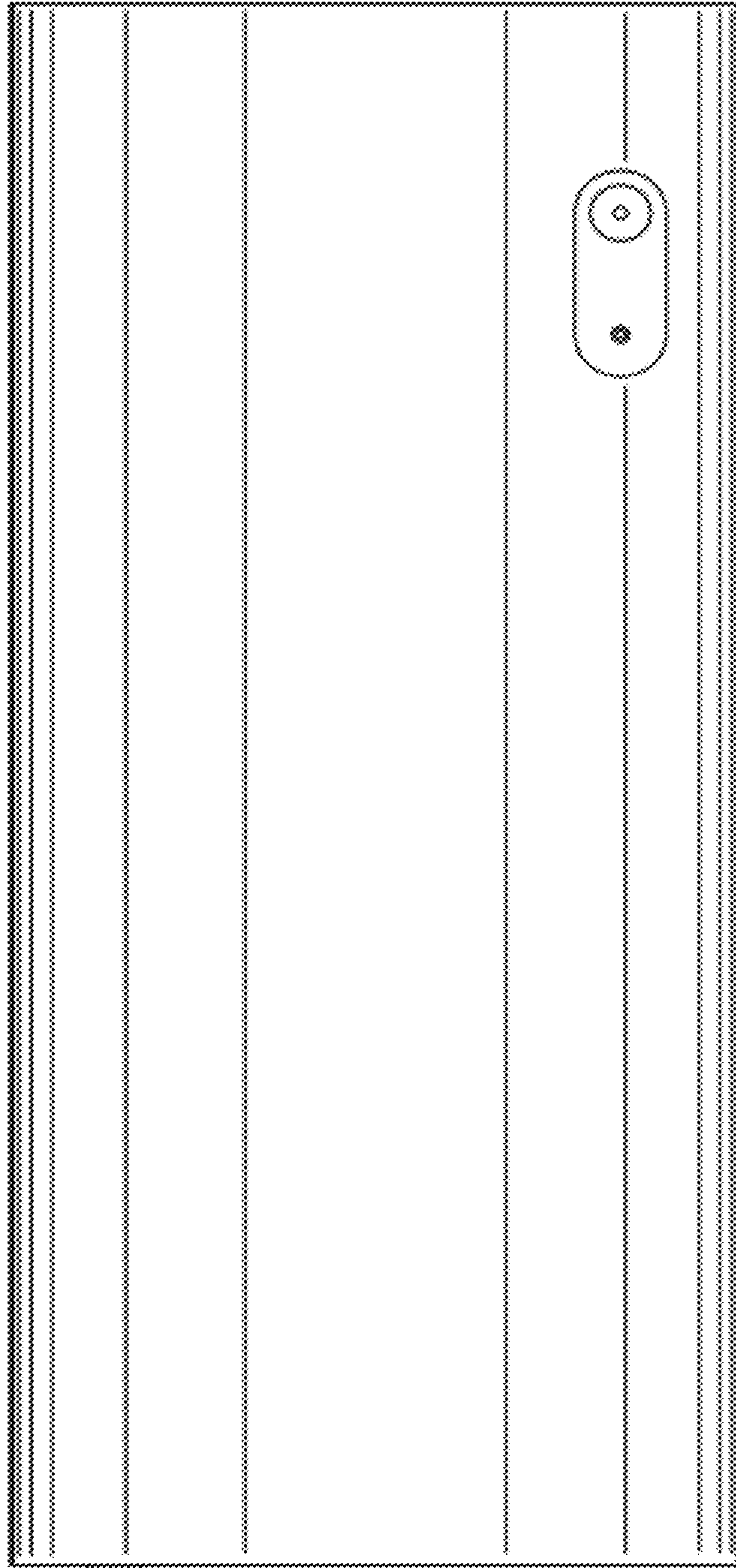


FIG. 4



FIG. 5

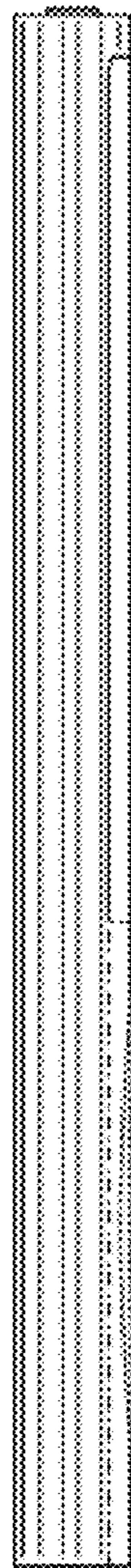


FIG. 6

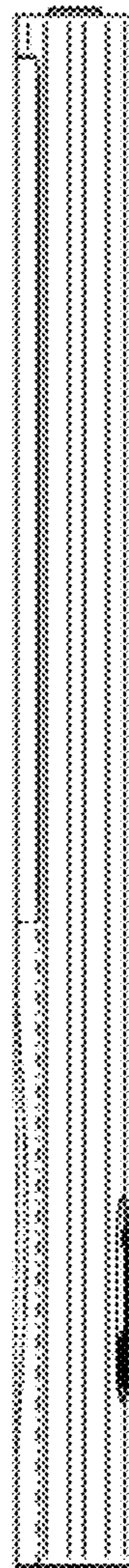


FIG. 7



FIG. 8

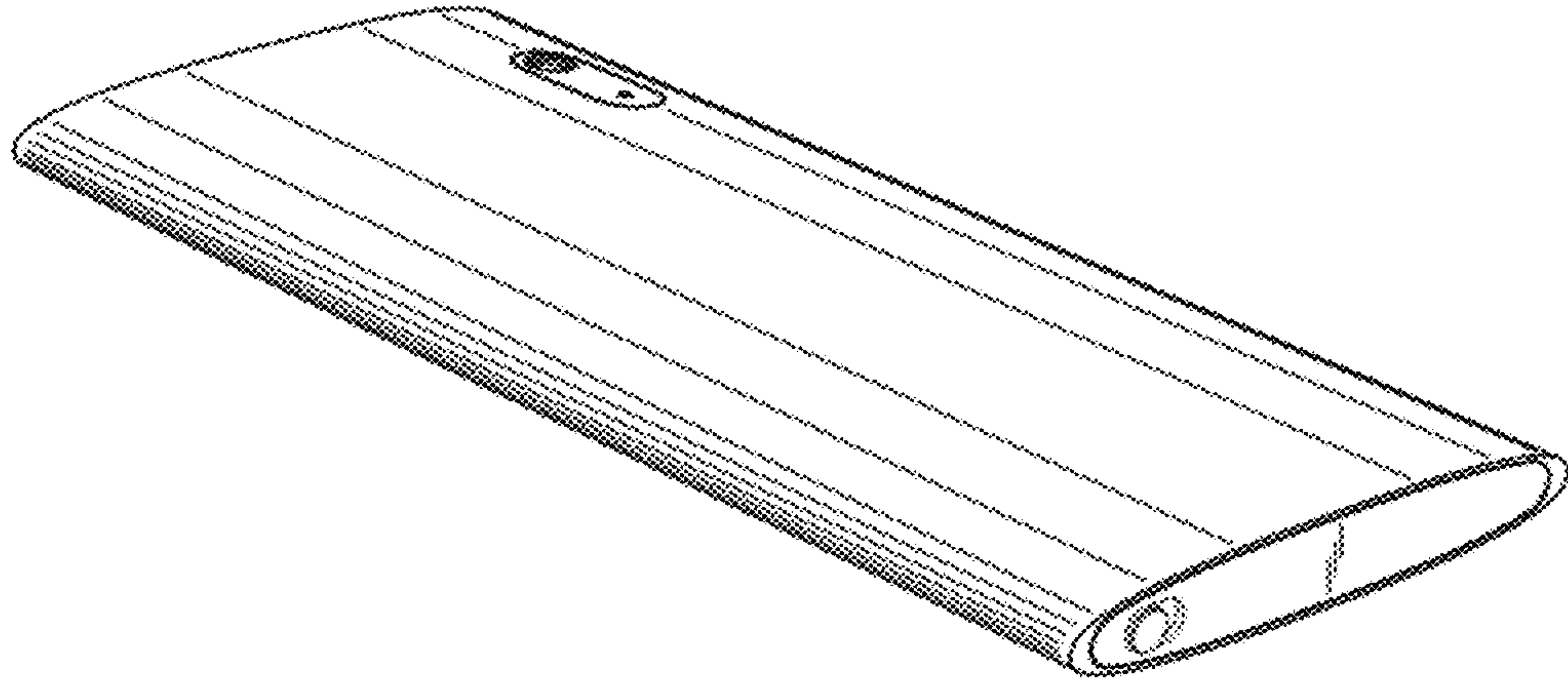


FIG. 9

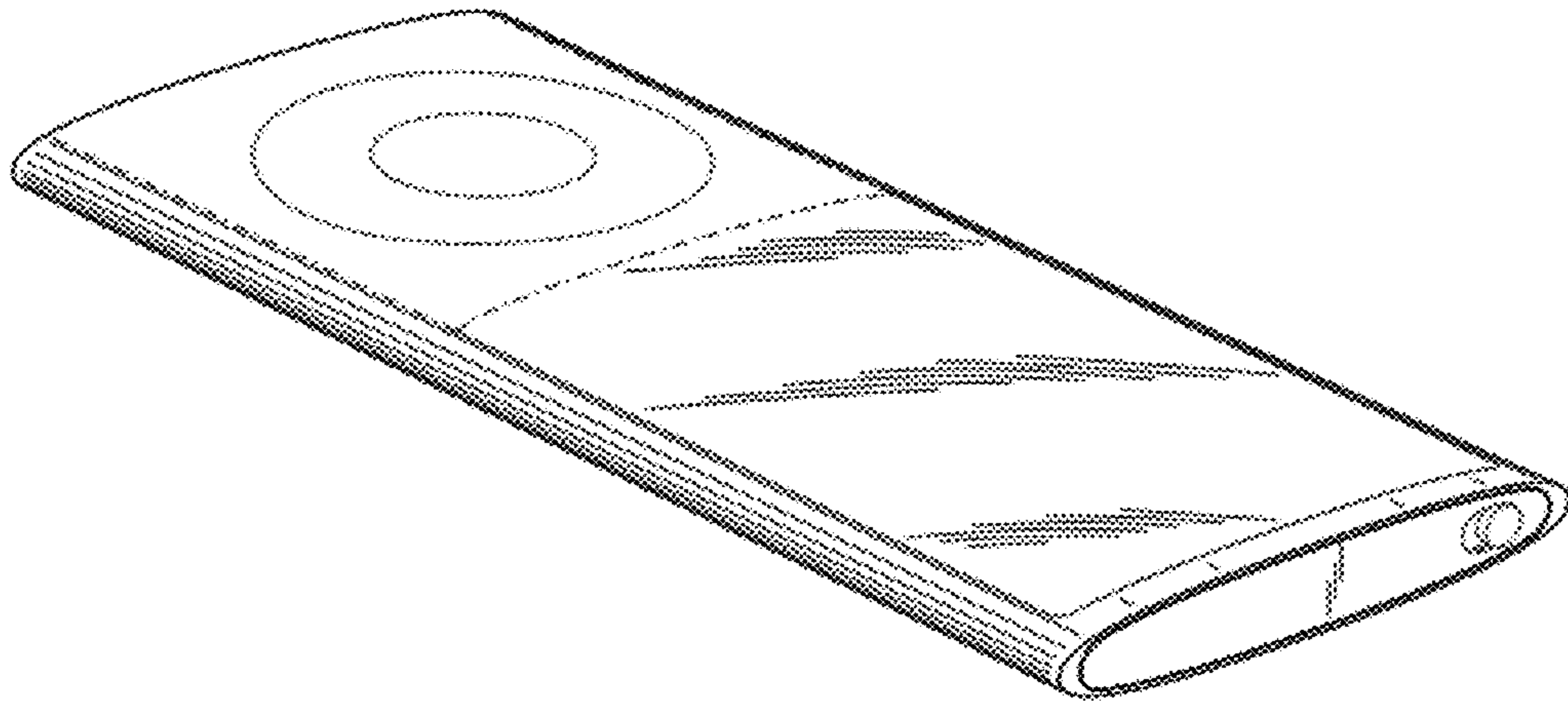


FIG. 10