



US00D665773S

(12) **United States Design Patent**
Behringer et al.

(10) **Patent No.:** **US D665,773 S**

(45) **Date of Patent:** **** *Aug. 21, 2012**

(54) **RACK-MOUNT AUDIO COMPONENT WITH
REMOVABLE EARS AND MAIN CONTROL
KNOB**

(75) Inventors: **Ulrich Behringer**, Makati (PH); **Costa
Lakoumentas**, Surrey (CA); **David
Czarnecki**, Seattle, WA (US)

(73) Assignee: **Red Chip Company Ltd.**, Tortola (VG)

(*) Notice: This patent is subject to a terminal dis-
claimer.

(**) Term: **14 Years**

(21) Appl. No.: **29/363,153**

(22) Filed: **Jun. 4, 2010**

(51) **LOC (9) Cl.** **14-03**

(52) **U.S. Cl.** **D14/198; D14/193**

(58) **Field of Classification Search** D14/137,
D14/155, 162, 167-171, 188, 189, 193-198,
D14/203.1-203.8, 204, 208, 209.1, 210, 212,
D14/214, 215, 217, 257, 258, 265, 299, 496;
369/6-12; 455/90.1-90.3, 344-355

See application file for complete search history.

(56) **References Cited**

U.S. PATENT DOCUMENTS

D467,227 S * 12/2002 Lee D13/123

(Continued)

Primary Examiner — Prabhakar Deshmukh

Assistant Examiner — Keli L Hill

(74) *Attorney, Agent, or Firm* — Seed IP Law Group PLLC

(57) **CLAIM**

The ornamental design for the rack-mount audio component with removable ears and main control knob, as shown and described.

DESCRIPTION

FIG. 1 is a perspective view of the rack-mount audio component with removable ears and main control knob showing the new design, and with a front panel door in the open position. FIG. 2 is a perspective view of the rack-mount audio component with removable ears and main control knob of FIG. 1 with the front panel door in a closed position.

FIG. 3 is a top plan view of the rack-mount audio component with removable ears and main control knob of FIG. 1 with the front panel door in a closed position.

FIG. 4 is a front elevational view of the rack-mount audio component with removable ears and main control knob of FIG. 1 with the front panel door in a closed position.

FIG. 5 is a bottom plan view of the rack-mount audio component with removable ears and main control knob of FIG. 1 with the front panel door in a closed position.

FIG. 6 is a back elevational view of the rack-mount audio component with removable ears and main control knob of FIG. 1 with the front panel door in a closed position.

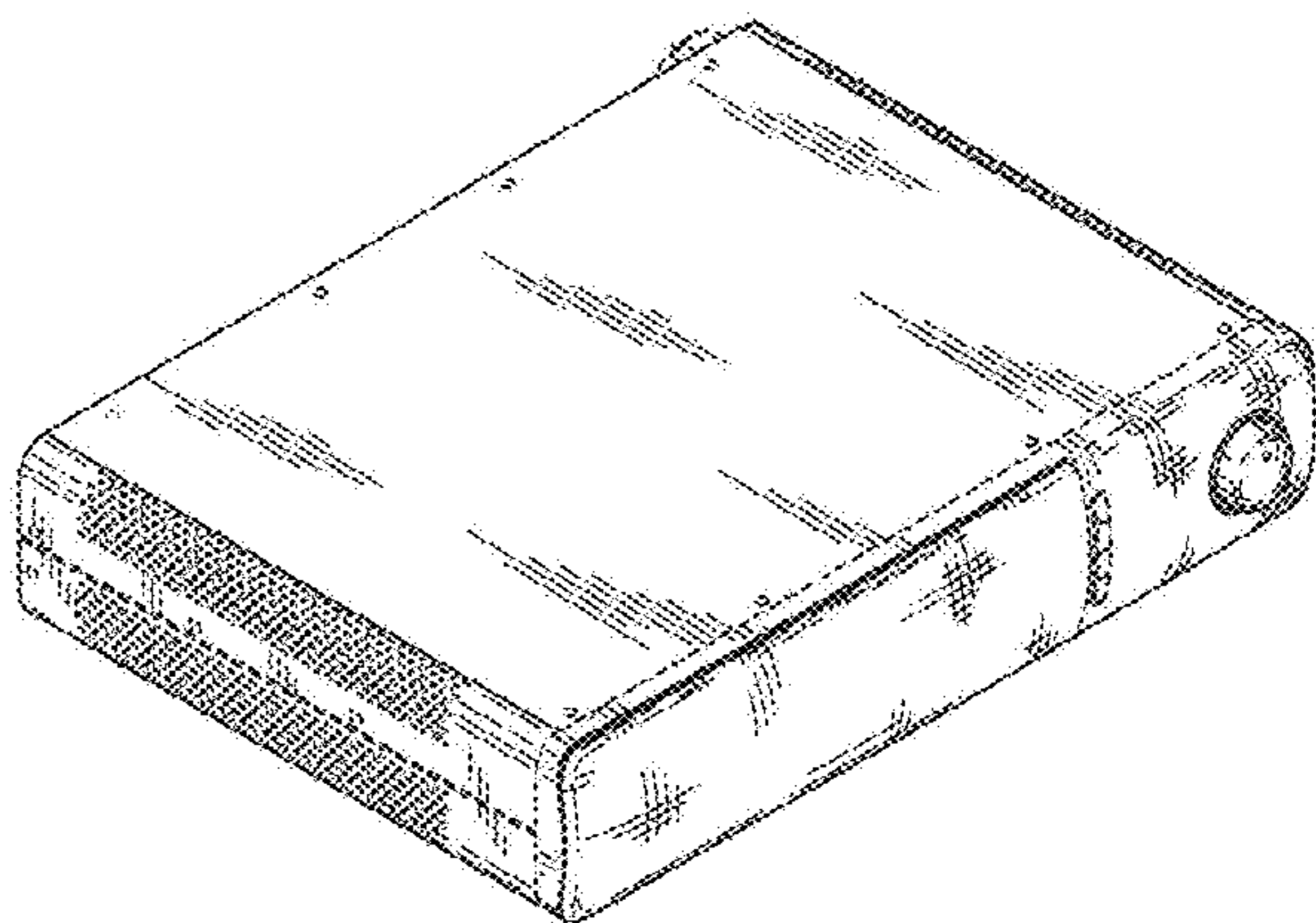
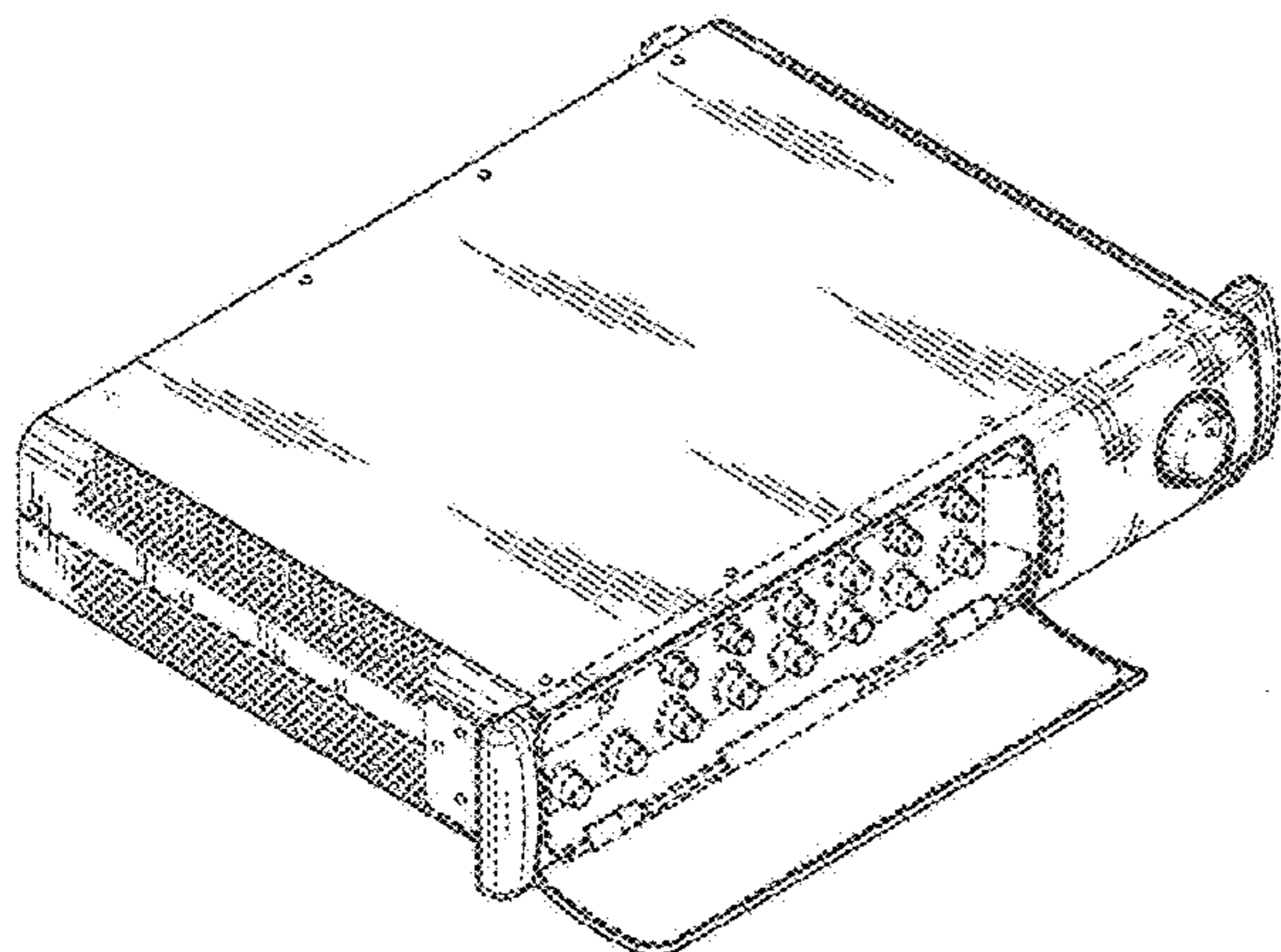
FIG. 7 is a right-side elevational view of the rack-mount audio component with removable ears and main control knob of FIG. 1 with the front panel door in a closed position.

FIG. 8 is a left-side elevational view of the rack-mount audio component with removable ears and main control knob of FIG. 1 with the front panel door in a closed position; and,

FIG. 9 is a front elevational view of the rack-mount audio component with removable ears and main control knob of FIG. 1, with the front panel door in a closed position and the ears removed. The rack ear connections on each side of the rack-mount audio component with removable ears and main control knob are symmetrical.

The broken lines shown are included for purpose of illustrating the unclaimed portions of the article and form no part of the claim.

1 Claim, 6 Drawing Sheets



US D665,773 S

Page 2

U.S. PATENT DOCUMENTS

D473,536 S *	4/2003	Powell et al.	D14/188	D578,505 S *	10/2008	Tejima et al.	D14/188
D560,689 S *	1/2008	Cho	D14/496	D590,809 S *	4/2009	Thusbass	D14/188
D561,140 S *	2/2008	Hatori	D14/505	D594,846 S *	6/2009	Teulie	D14/188
D569,840 S *	5/2008	Tejima	D14/188	D599,773 S *	9/2009	Shimizu	D14/157
D570,330 S *	6/2008	Tejima	D14/188	D639,824 S *	6/2011	Usami et al.	D14/505
D571,741 S *	6/2008	Cha et al.	D14/125	D644,623 S *	9/2011	Behringer et al.	D14/188

* cited by examiner

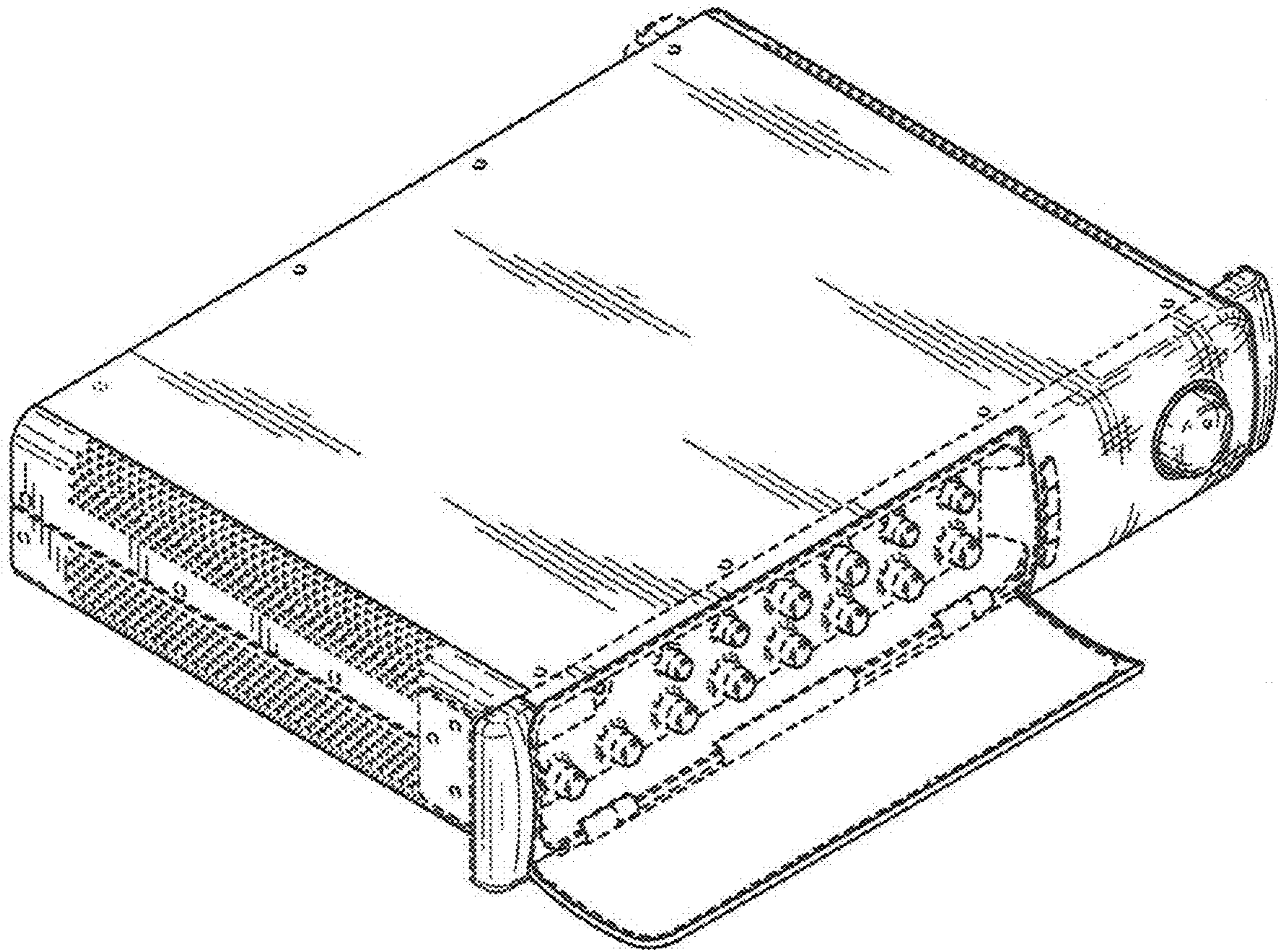


FIG. 1

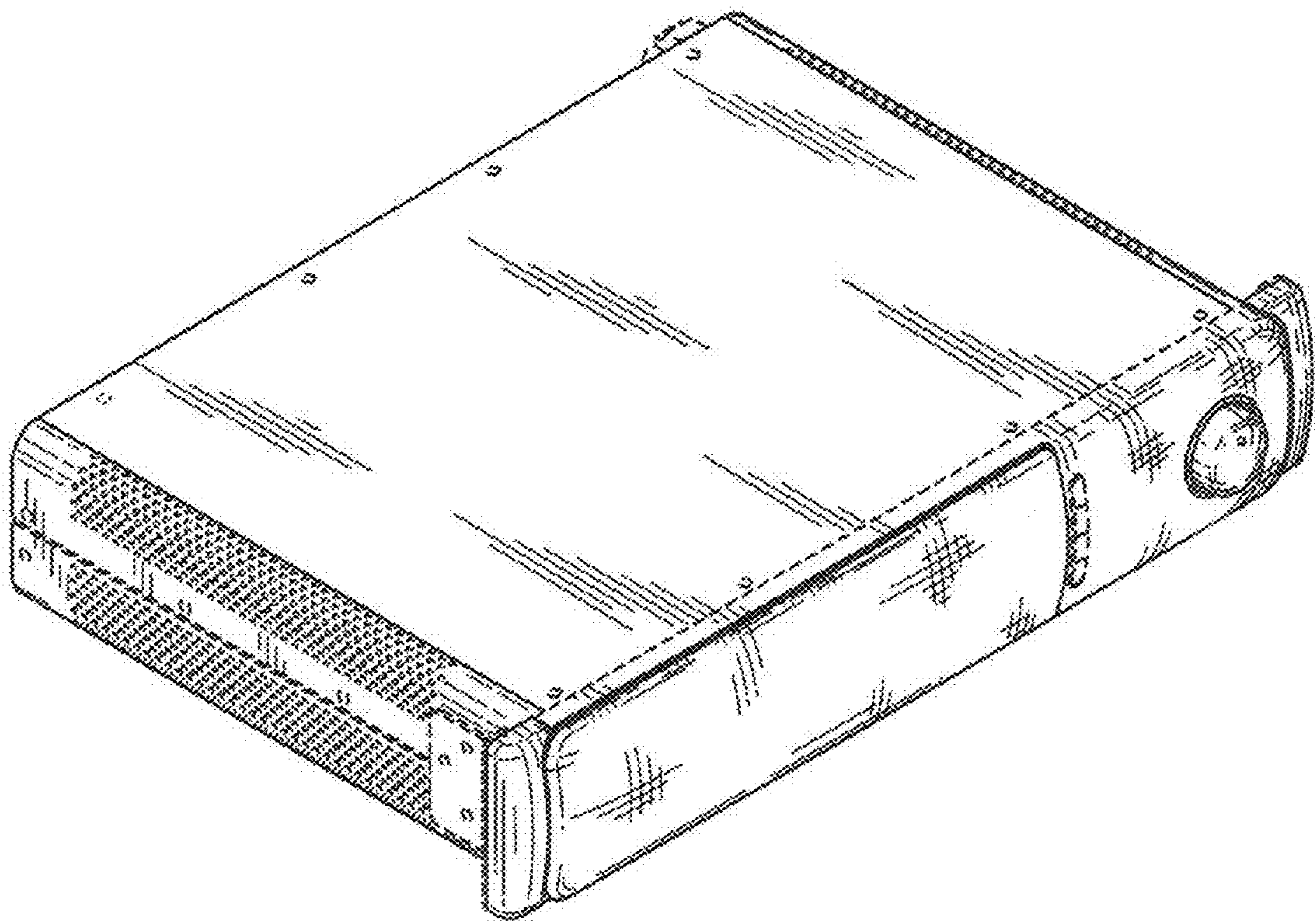


FIG. 2

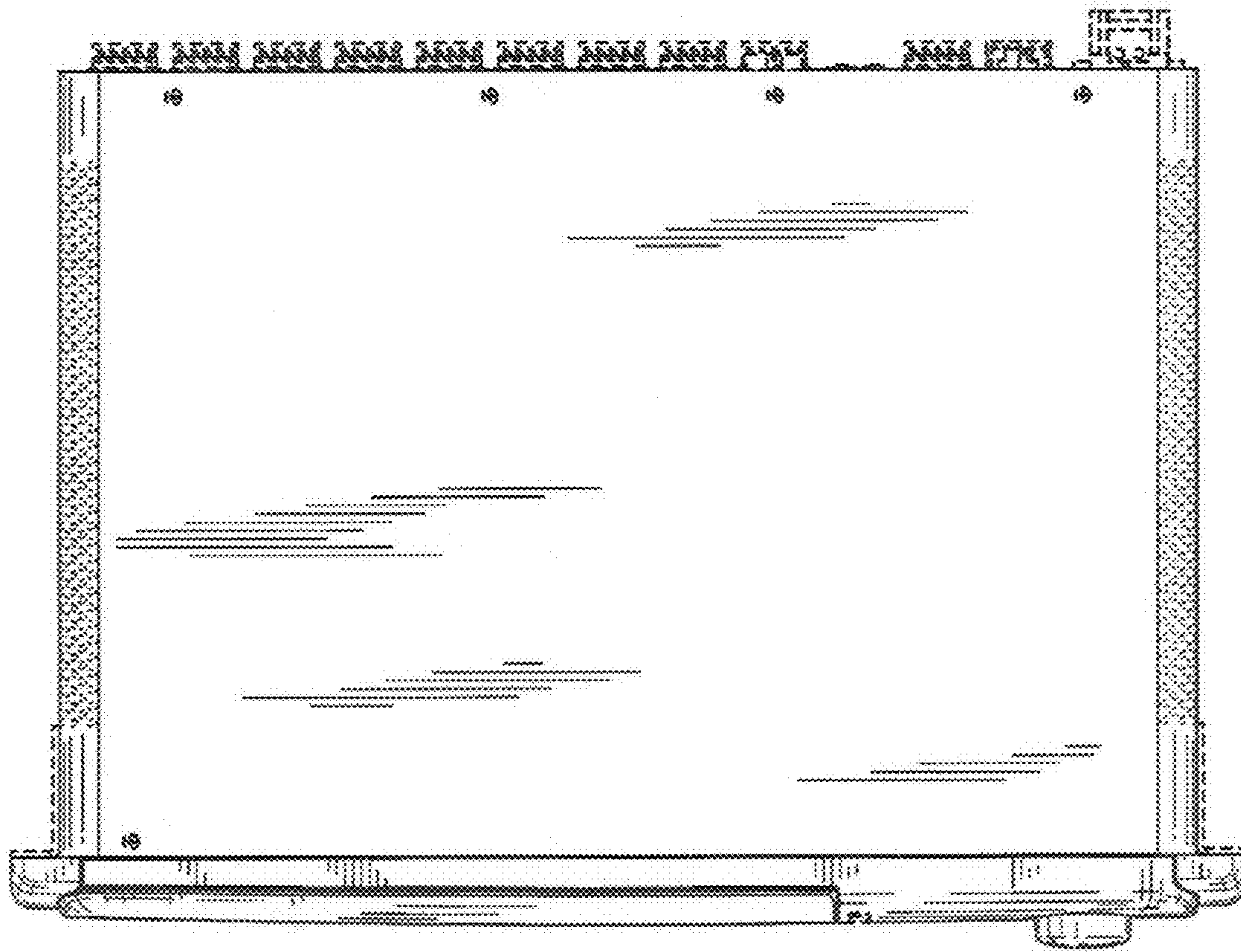


FIG. 3

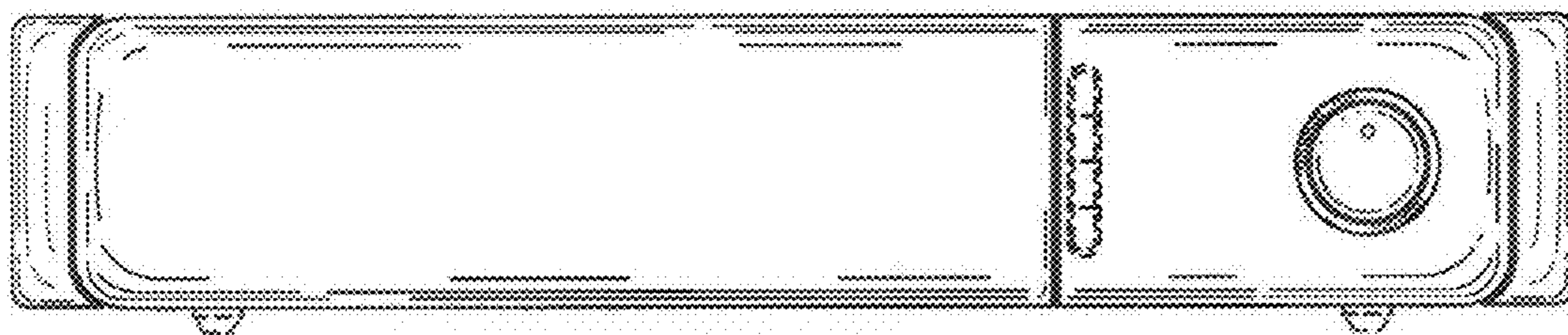


FIG. 4

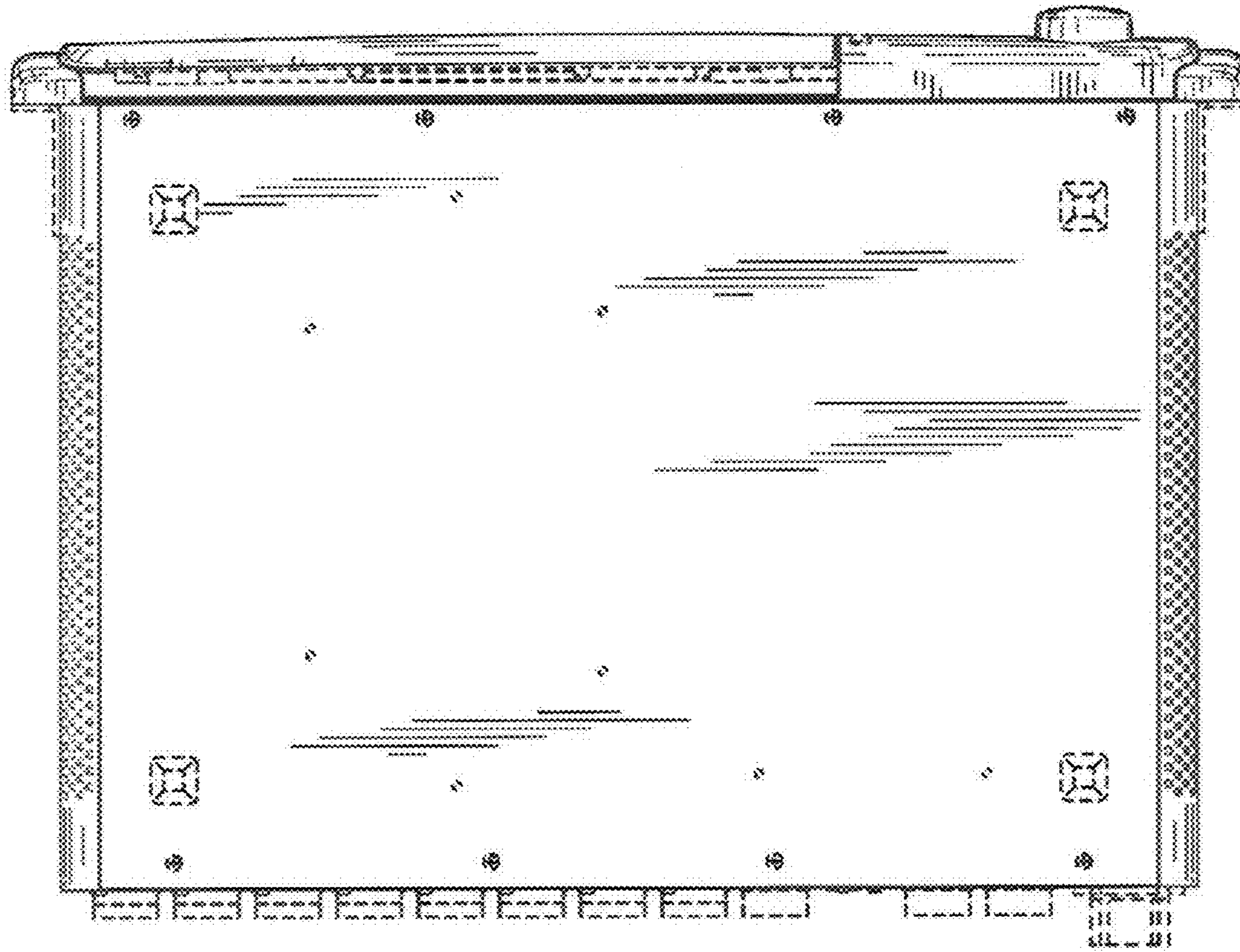


FIG. 5

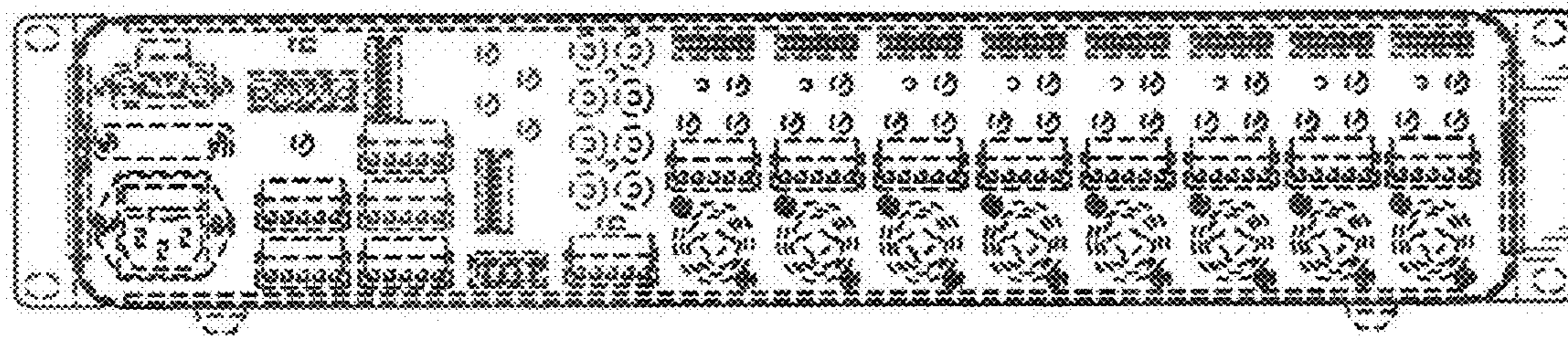


FIG. 6

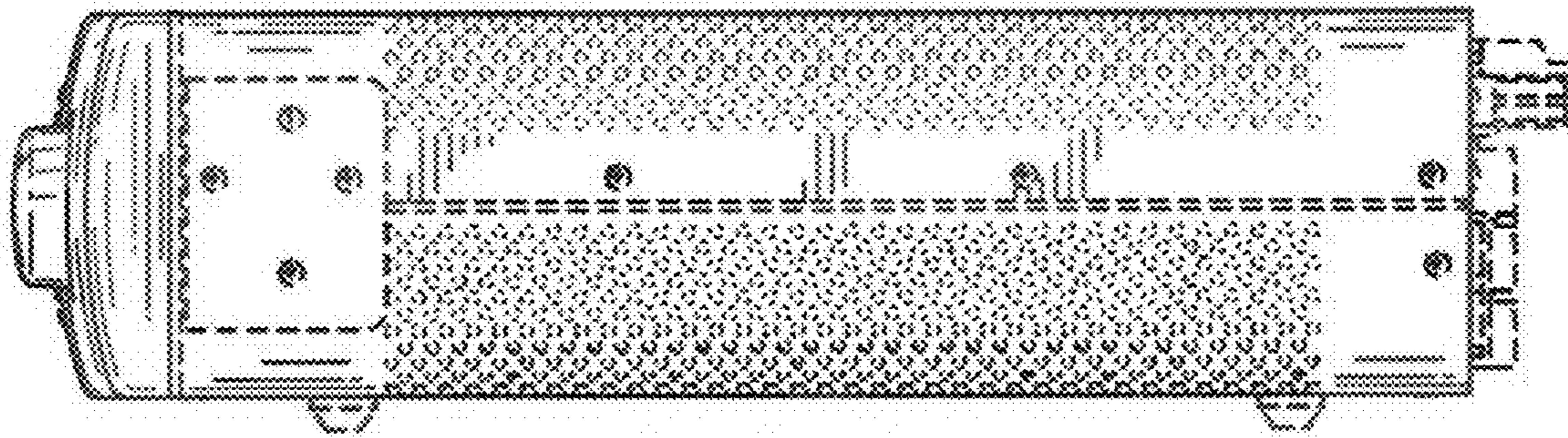


FIG. 7

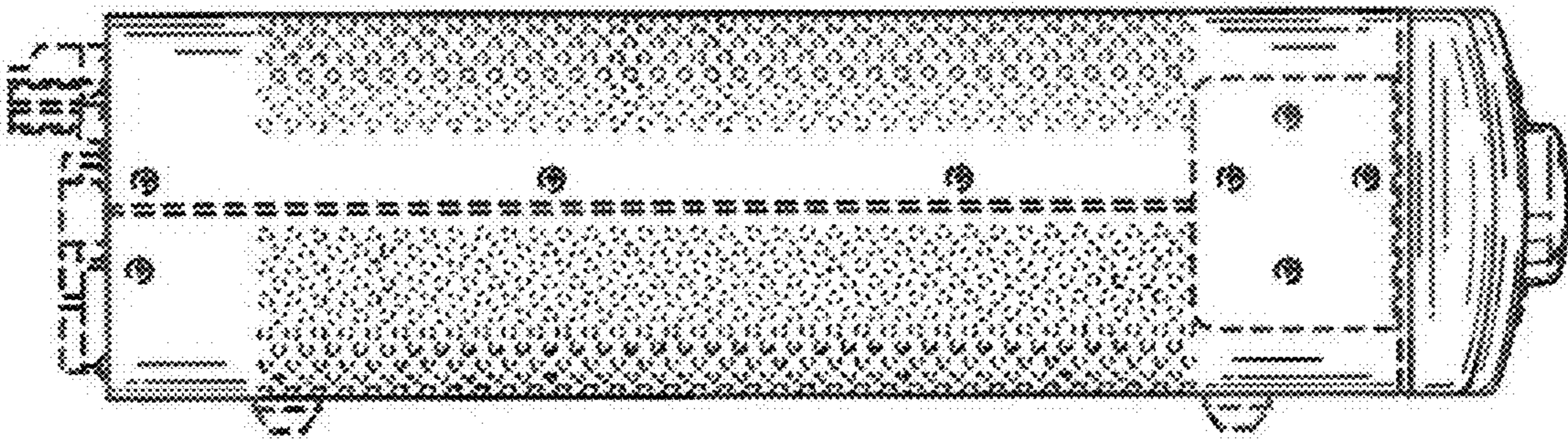


FIG. 8

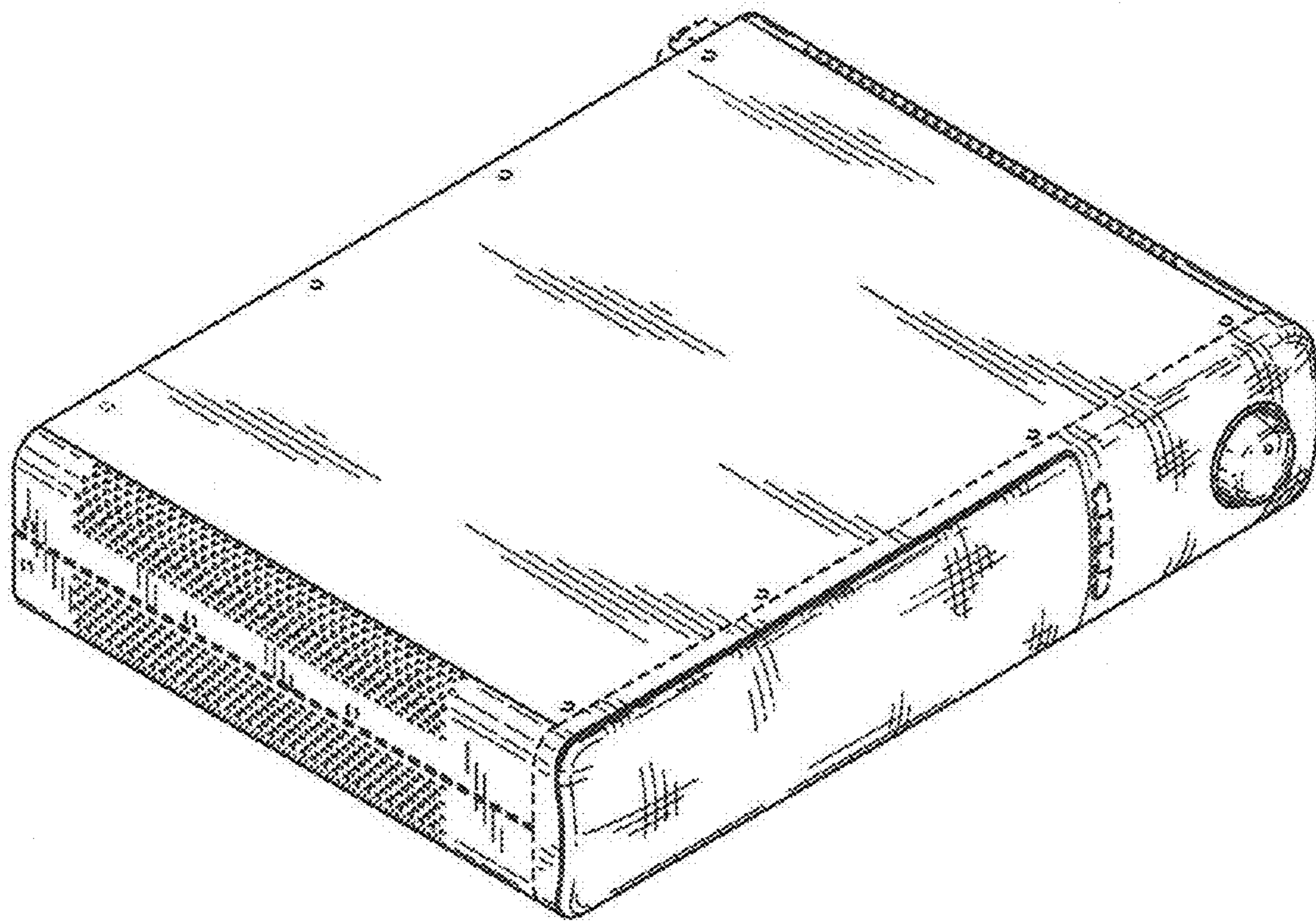


FIG. 9