



US00D665772S

(12) **United States Design Patent**  
**Behringer et al.**

(10) **Patent No.:** **US D665,772 S**

(45) **Date of Patent:** **\*\* \*Aug. 21, 2012**

(54) **RACK-MOUNT AUDIO COMPONENT WITH REMOVABLE EARS AND HONEYCOMB PATTERN**

(75) Inventors: **Ulrich Behringer**, Makati (PH); **Costa Lakoumentas**, Surrey (CA); **David Czarnecki**, Seattle, WA (US)

(73) Assignee: **Red Chip Company Ltd.**, Tortola (VG)

(\*) Notice: This patent is subject to a terminal disclaimer.

(\*\*) Term: **14 Years**

(21) Appl. No.: **29/363,152**

(22) Filed: **Jun. 4, 2010**

(51) **LOC (9) Cl.** ..... **14-03**

(52) **U.S. Cl.** ..... **D14/198; D14/193**

(58) **Field of Classification Search** ..... D14/137, D14/155, 162, 167-171, 188, 189, 193-198, D14/203.1-203.8, 204, 208, 209.1, 210, 212, D14/214, 215, 217, 257, 258, 265, 299, 496; 369/6-12; 455/90.1-90.3, 344-355

See application file for complete search history.

(56) **References Cited**

**U.S. PATENT DOCUMENTS**

D467,227 S	*	12/2002	Lee	.....	D13/123
D473,536 S	*	4/2003	Powell et al.	.....	D14/188
D560,689 S	*	1/2008	Cho	.....	D14/496
D561,140 S	*	2/2008	Hatori	.....	D14/505
D569,840 S	*	5/2008	Tejima	.....	D14/188

(Continued)

*Primary Examiner* — Prabhakar Deshmukh

*Assistant Examiner* — Keli L Hill

(74) *Attorney, Agent, or Firm* — Seed IP Law Group PLLC

(57) **CLAIM**

The ornamental design for the rack-mount audio component with removable ears and honeycomb pattern, as shown and described.

**DESCRIPTION**

FIG. 1 is a perspective view of the rack-mount audio component with removable ears and honeycomb pattern showing the new design, and with a front panel door in the open position. FIG. 2 is a perspective view of the rack-mount audio component with removable ears and honeycomb pattern of FIG. 1 with the front panel door in a closed position.

FIG. 3 is a top plan view of the rack-mount audio component with removable ears and honeycomb pattern of FIG. 1 with the front panel door in a closed position.

FIG. 4 is a front elevational view of the rack-mount audio component with removable ears and honeycomb pattern of FIG. 1 with the front panel door in a closed position.

FIG. 5 is a bottom plan view of the rack-mount audio component with removable ears and honeycomb pattern of FIG. 1 with the front panel door in a closed position.

FIG. 6 is a back elevational view of the rack-mount audio component with removable ears and honeycomb pattern of FIG. 1 with the front panel door in a closed position.

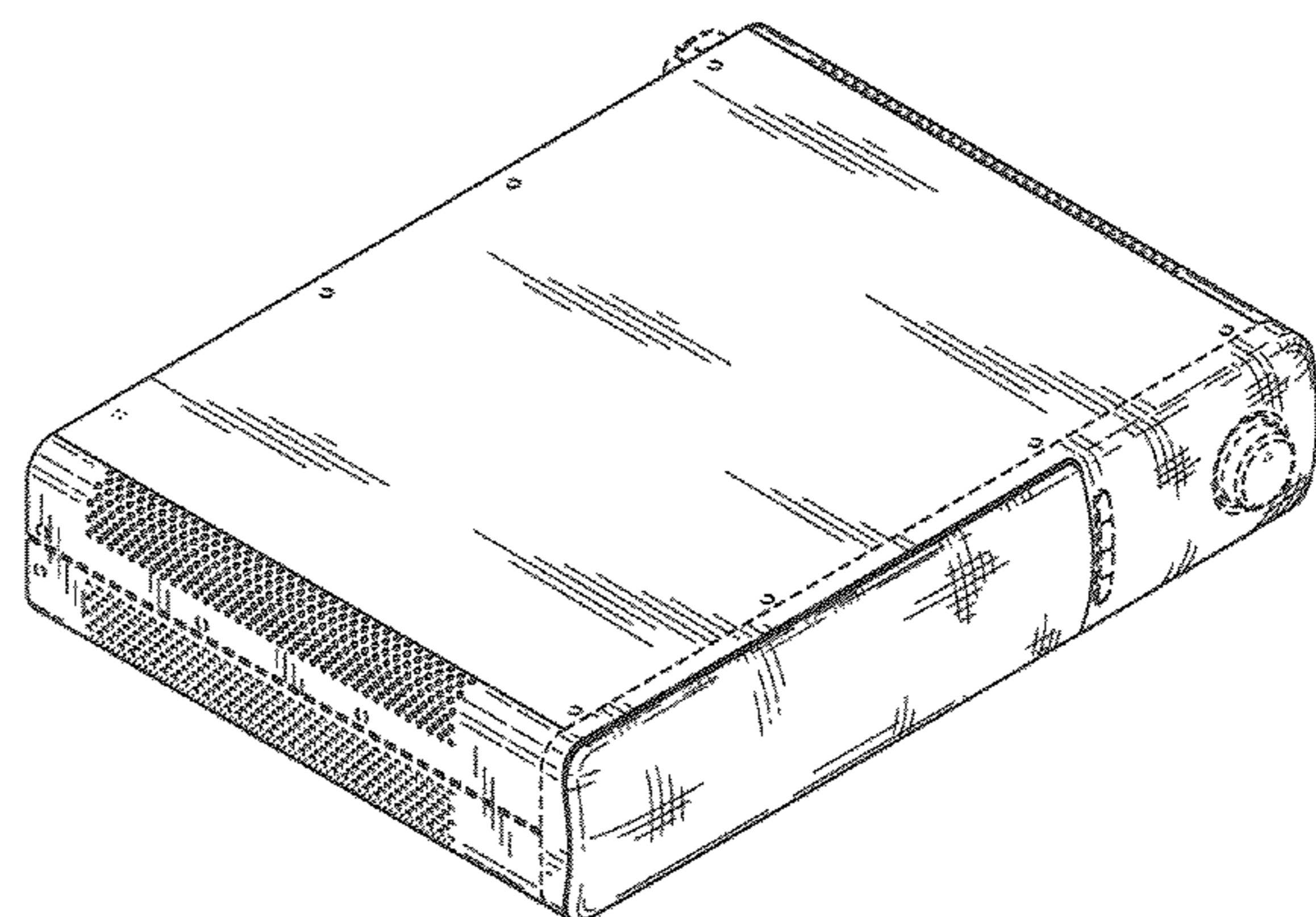
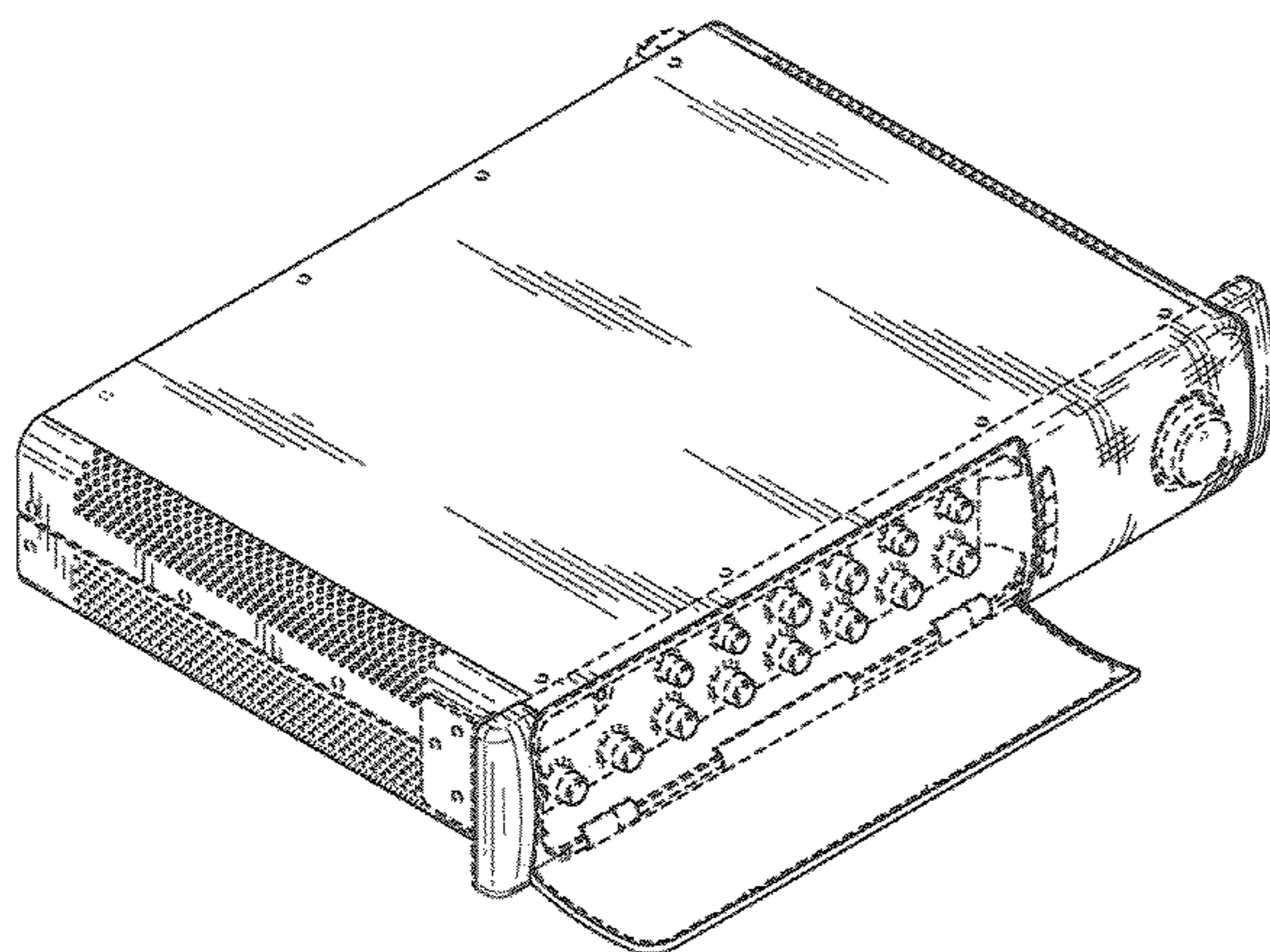
FIG. 7 is a right-side elevational view of the rack-mount audio component with removable ears and honeycomb pattern of FIG. 1 with the front panel door in a closed position.

FIG. 8 is a left-side elevational view of the rack-mount audio component with removable ears and honeycomb pattern of FIG. 1 with the front panel door in a closed position; and,

FIG. 9 is a front elevational view of the rack-mount audio component with removable ears and honeycomb pattern of FIG. 1, with, the front panel door in a closed position and the ears removed. The rack ear connections on each side of the rack-mount audio component with removable ears and honeycomb pattern are symmetrical.

The broken lines shown are included for purpose of illustrating the unclaimed portions of the article and form no part of the claim.

**1 Claim, 6 Drawing Sheets**



# US D665,772 S

Page 2

---

## U.S. PATENT DOCUMENTS

D570,330 S *	6/2008	Tejima .....	D14/188	D594,846 S *	6/2009	Teulie .....	D14/188
D571,741 S *	6/2008	Cha et al. ....	D14/125	D599,773 S *	9/2009	Shimizu .....	D14/157
D578,505 S *	10/2008	Tejima et al. ....	D14/188	D639,824 S *	6/2011	Usami et al. ....	D14/505
D590,809 S *	4/2009	Thusbass .....	D14/188	D644,623 S *	9/2011	Behringer et al. ....	D14/188

\* cited by examiner



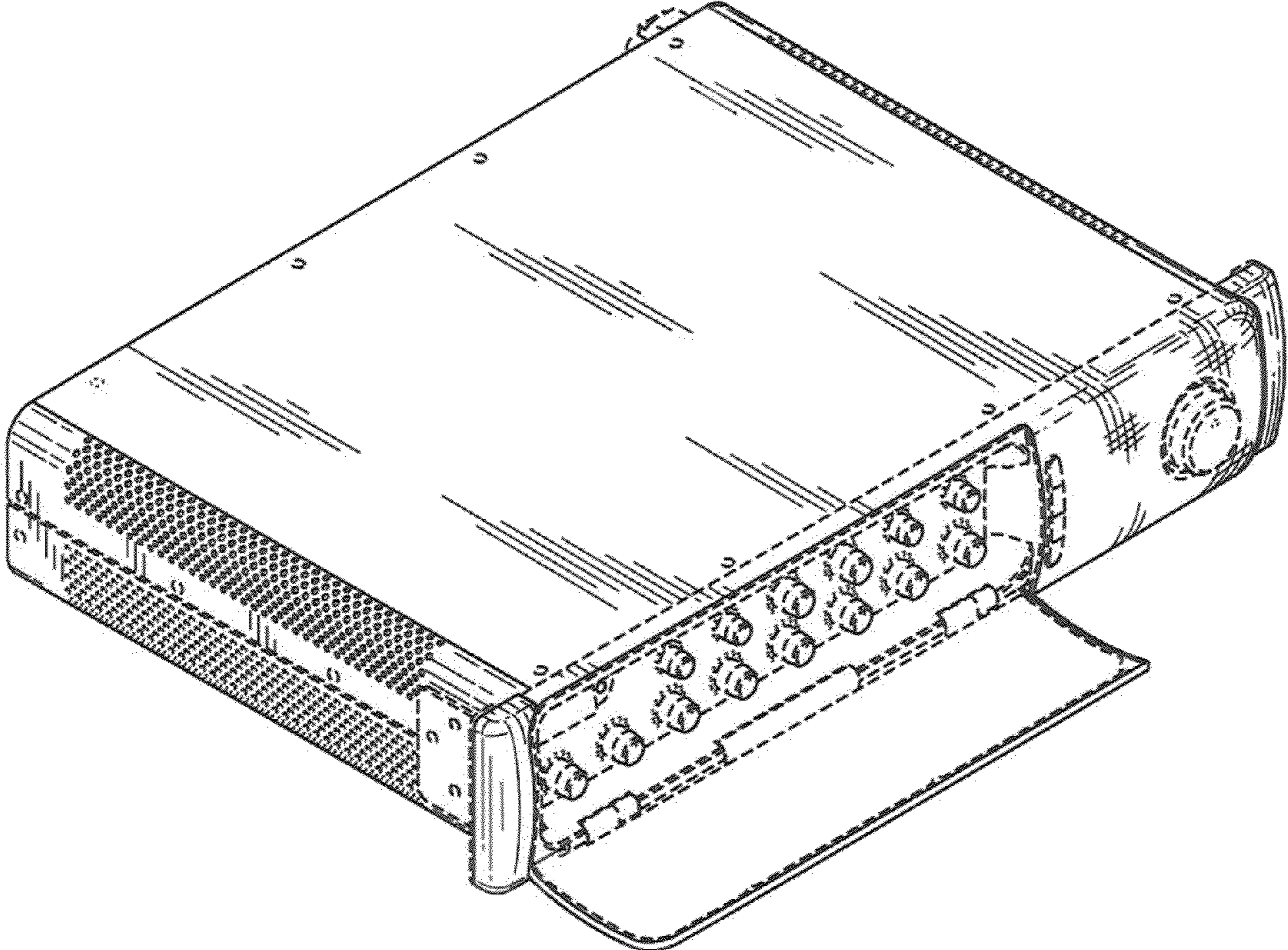


FIG. 1

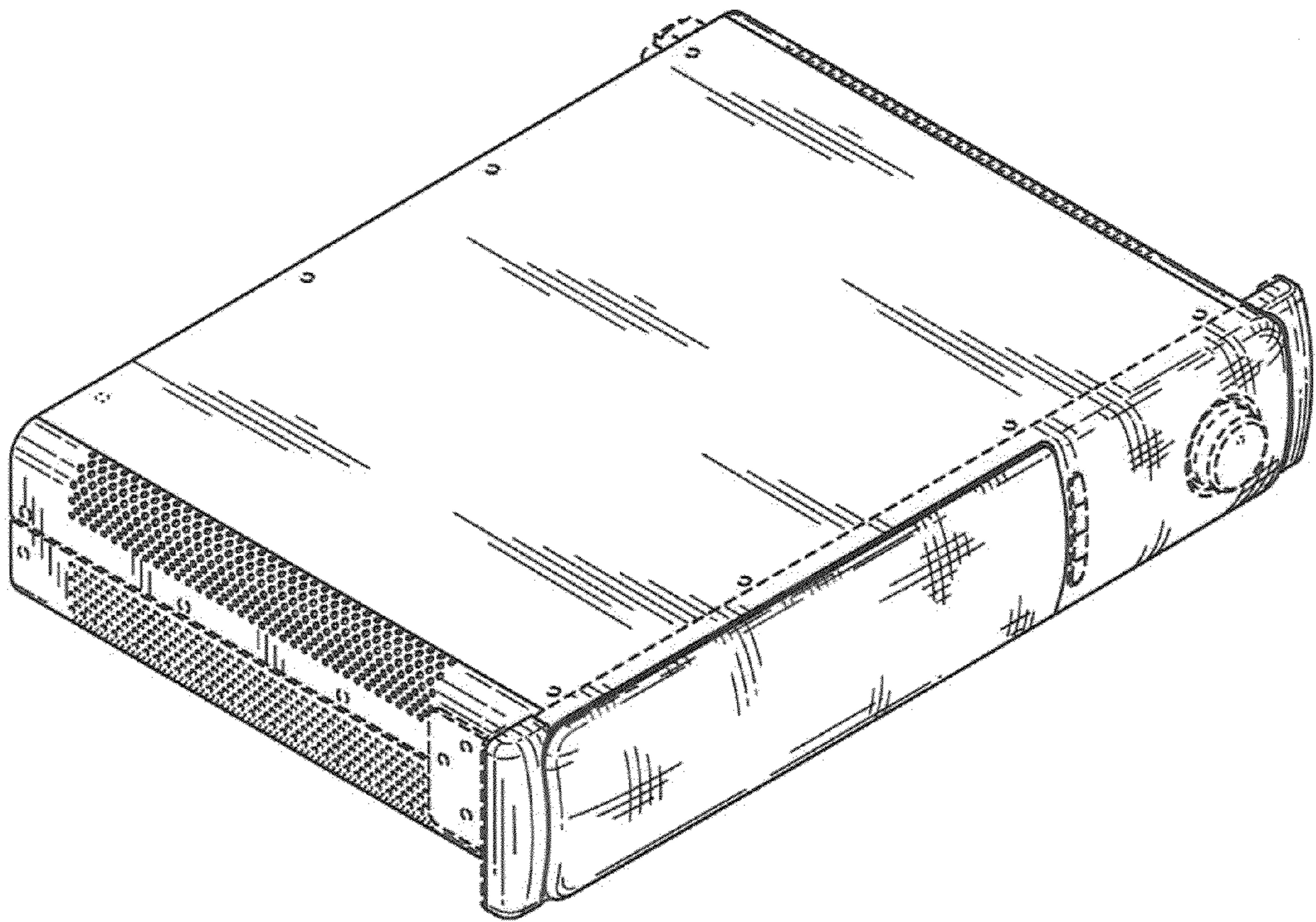


FIG. 2



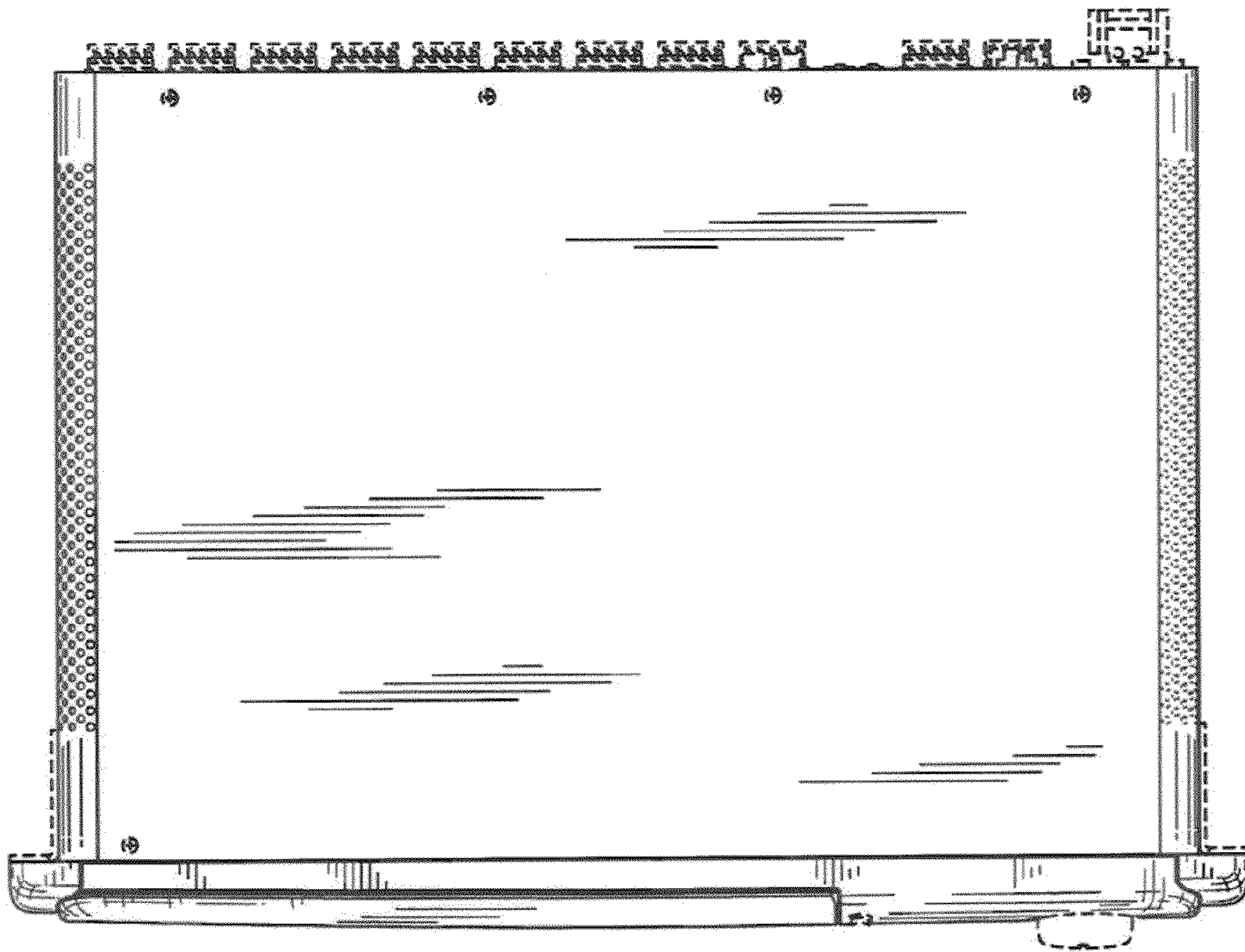


FIG. 3

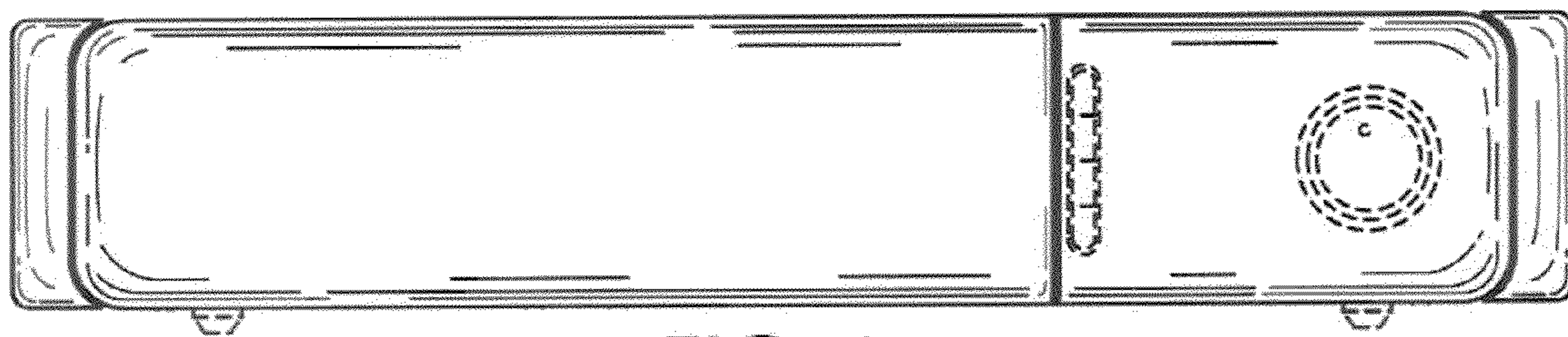


FIG. 4



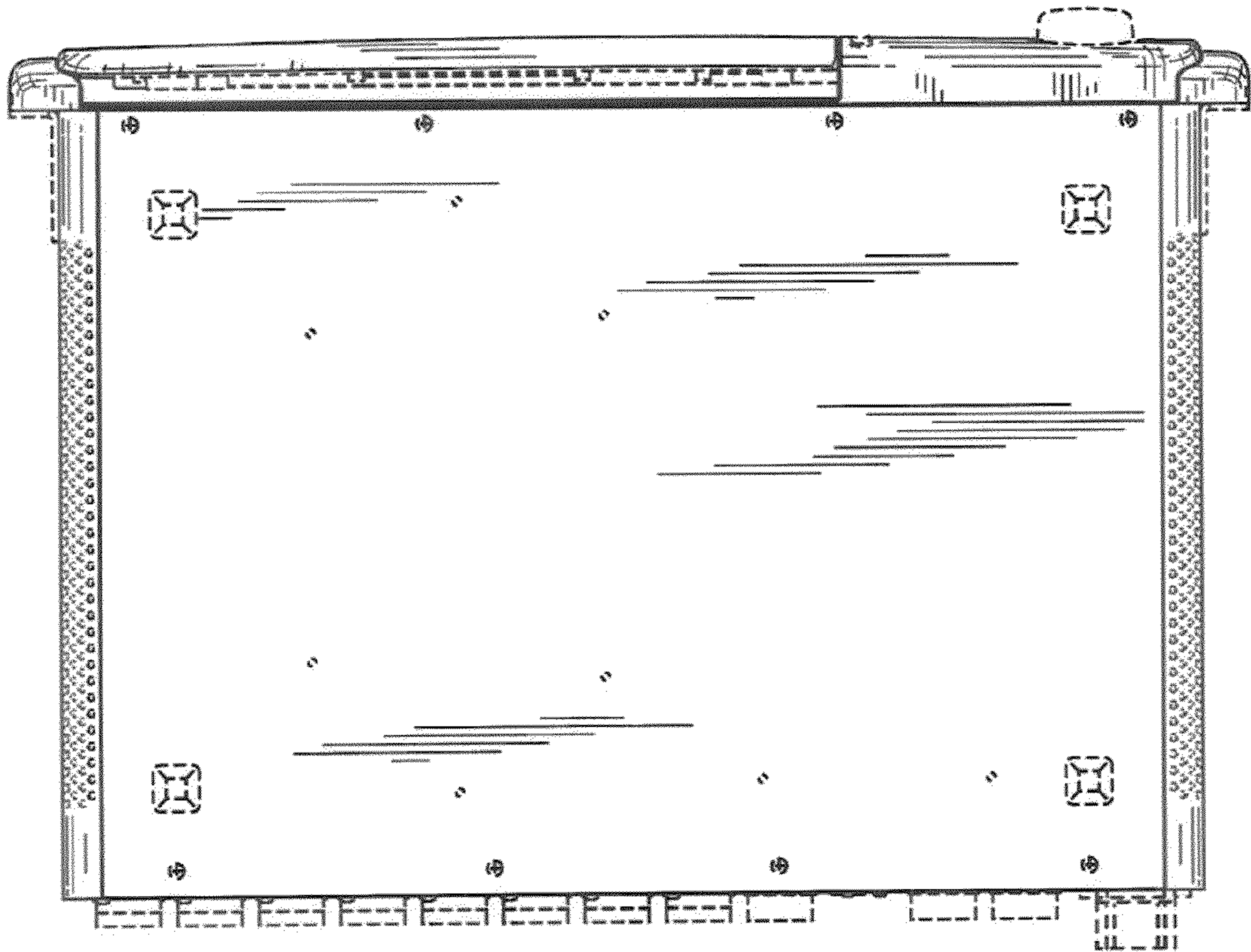


FIG. 5

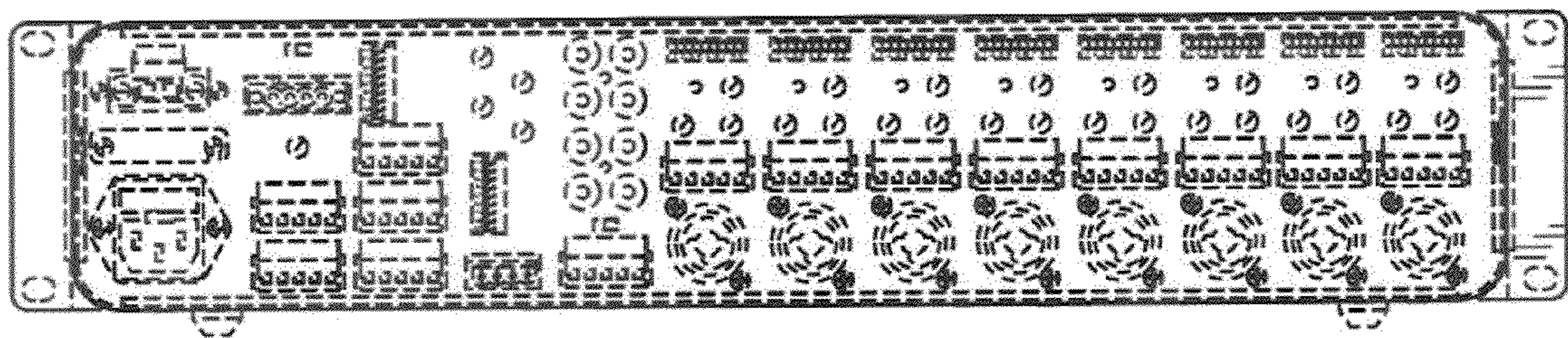


FIG. 6



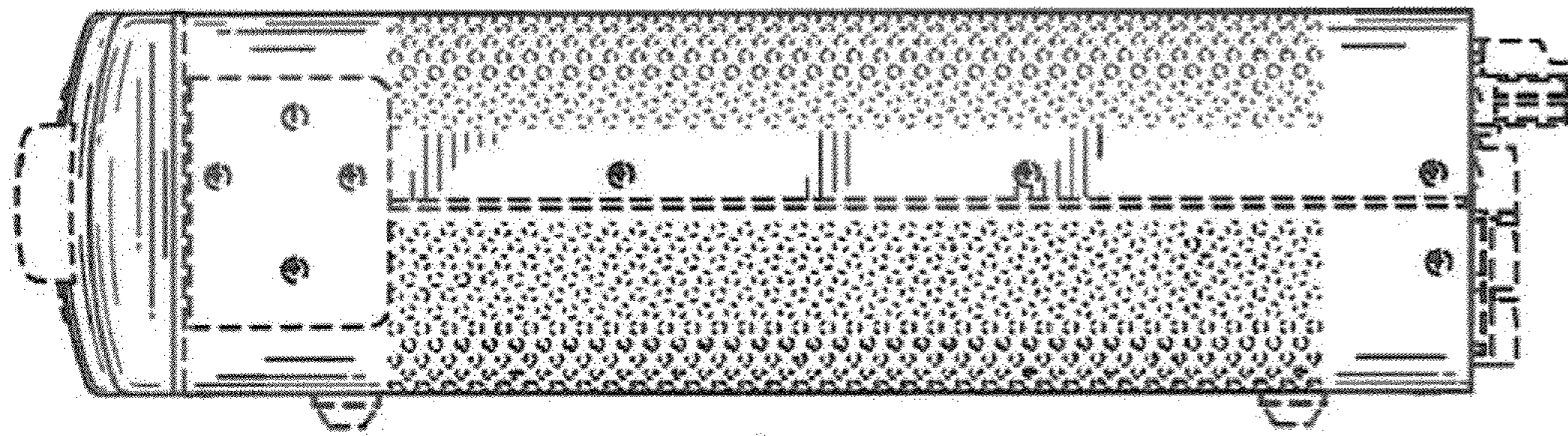


FIG. 7

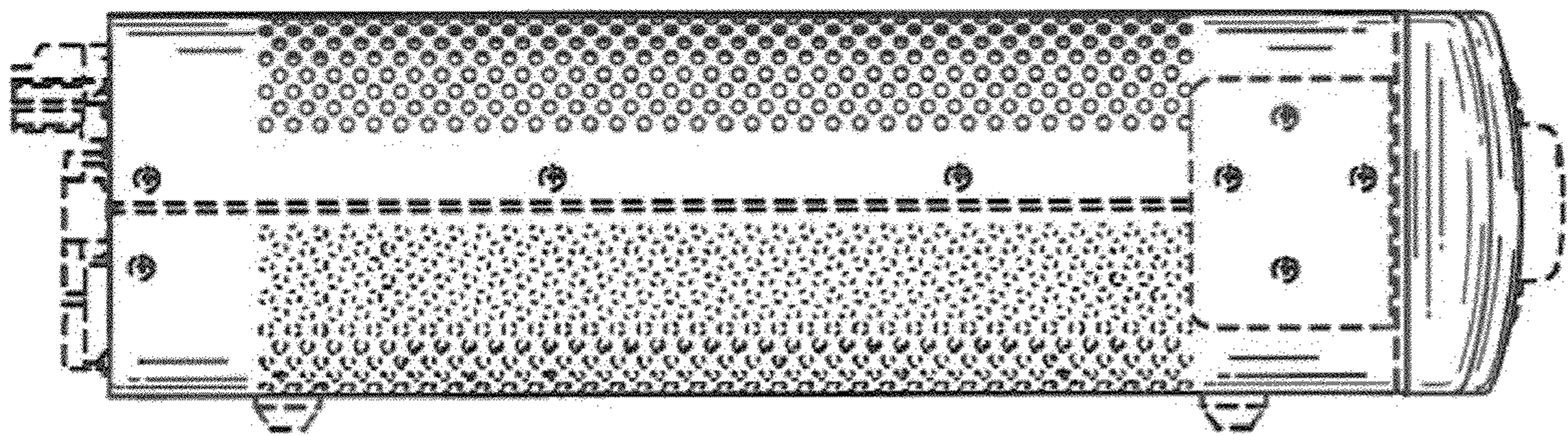


FIG. 8



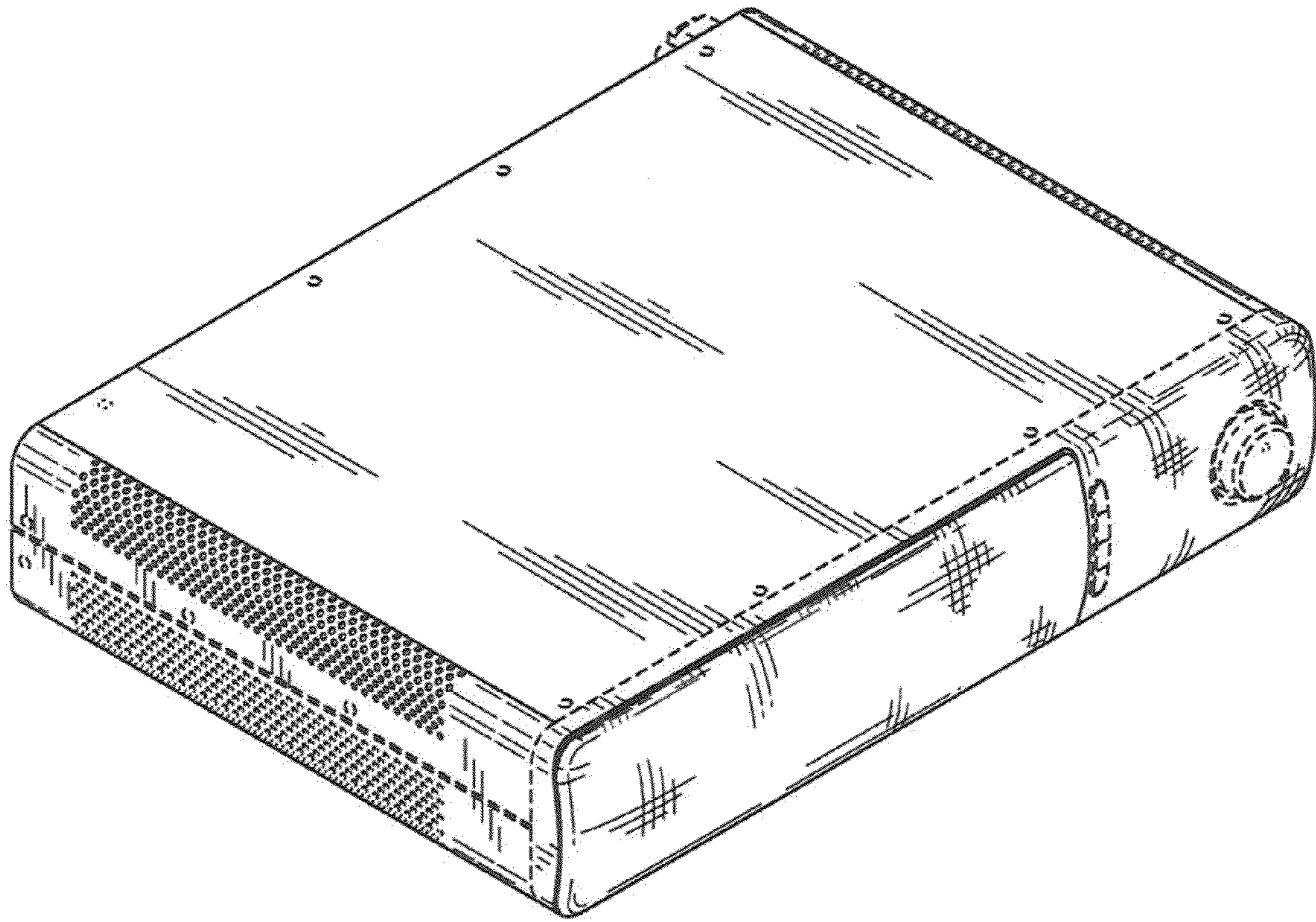


FIG. 9