



US00D665771S

(12) **United States Design Patent**
Osada

(10) **Patent No.:** **US D665,771 S**
(45) **Date of Patent:** **** Aug. 21, 2012**

(54) **VOICE RECORDING/REPRODUCING DEVICE**

(75) Inventor: **Reisuke Osada**, Hachioji (JP)

(73) Assignee: **Olympus Imaging Corp**, Tokyo (JP)

(**) Term: **14 Years**

(21) Appl. No.: **29/412,837**

(22) Filed: **Feb. 8, 2012**

(30) **Foreign Application Priority Data**

Dec. 28, 2011 (JP) 2011-030445

(51) **LOC (9) Cl.** **14-01**

(52) **U.S. Cl.** **D14/167**

(58) **Field of Classification Search** D14/167,
D14/154, 168, 188, 496, 156, 160, 161, 162,
D14/163, 164, 165, 158, 203.1, 341, 346,
D14/342, 345, 225, 226, 228, 227, 214; 455/351,
455/350; D19/60, 62; D21/330; 369/44.14,
369/44.32; 700/94

See application file for complete search history.

(56) **References Cited**

U.S. PATENT DOCUMENTS

D428,406 S * 7/2000 Lancaster et al. D14/228
D473,535 S * 4/2003 Ishii D14/167
D486,466 S * 2/2004 Tanaka D14/167

D554,628 S * 11/2007 Aoki D14/226
D568,878 S * 5/2008 Aoki D14/226
D623,166 S * 9/2010 Oka D14/167
D640,230 S * 6/2011 Sakai et al. D14/167
D647,077 S * 10/2011 Hayashi D14/167
D649,524 S * 11/2011 Miyazaki D14/167
D649,955 S * 12/2011 Kumagai D14/167

* cited by examiner

Primary Examiner — Austin Murphy

(74) *Attorney, Agent, or Firm* — Holtz, Holtz, Goodman & Chick, PC

(57) **CLAIM**

The ornamental design for a voice recording/reproducing device, as shown and described.

DESCRIPTION

FIG. 1 is a front, top and right side perspective view of a voice recording/reproducing device showing my new design; FIG. 2 is a front elevational view thereof; FIG. 3 is a rear elevational view thereof; FIG. 4 is a top plan view thereof; FIG. 5 is a bottom plan view thereof; FIG. 6 is a right side elevational view thereof; and, FIG. 7 is a left side elevational view thereof.

The broken lines shown in the drawings represent portions of the voice recorder/reproducing device that form no part of the claimed design.

1 Claim, 5 Drawing Sheets

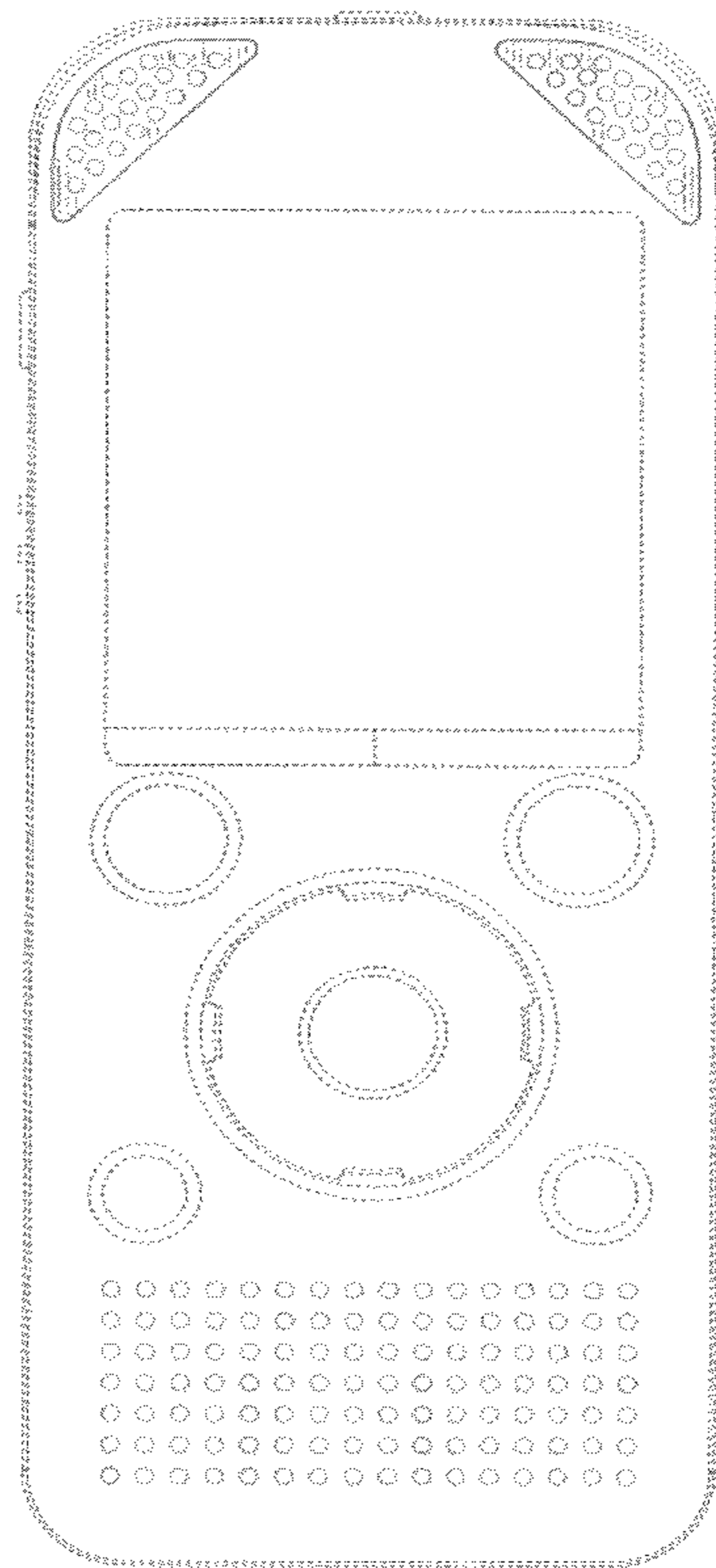
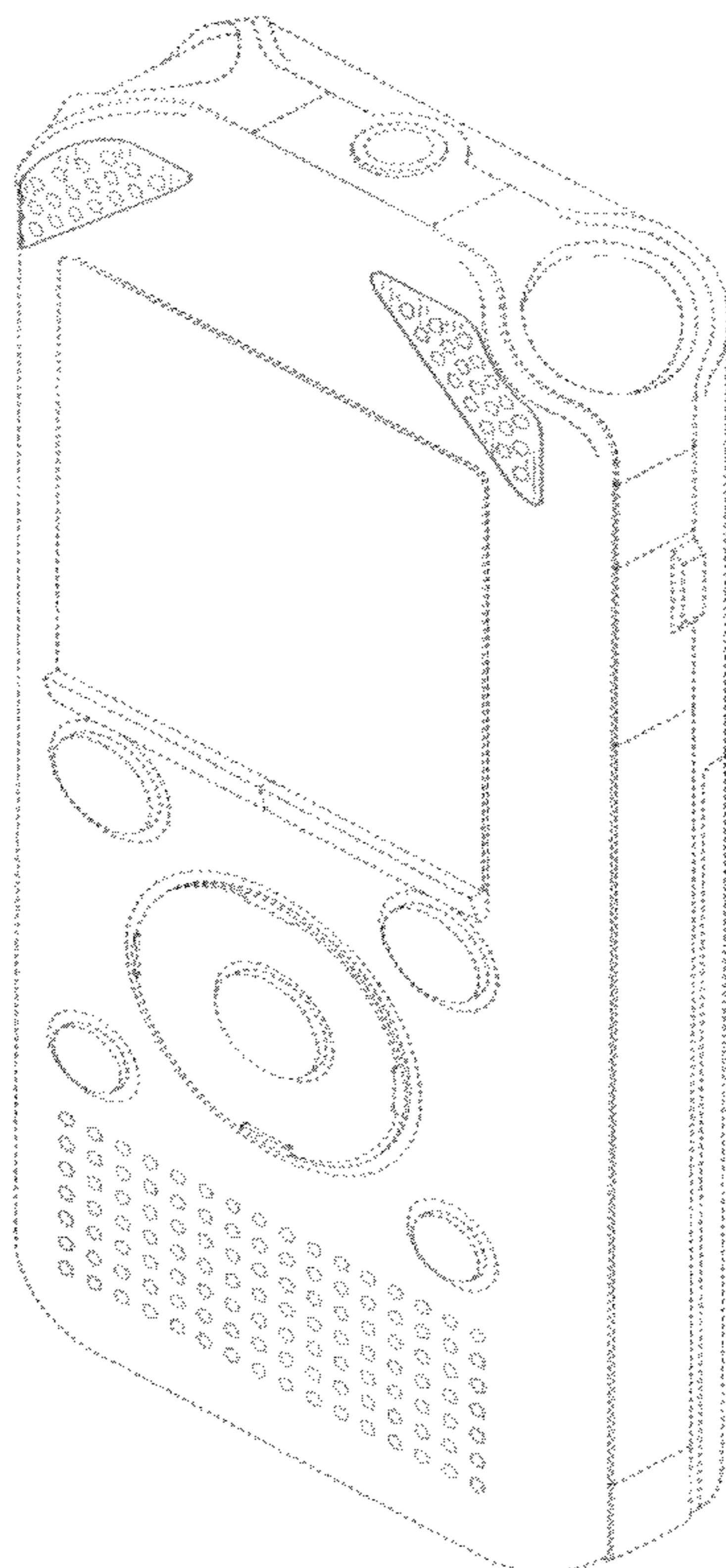


FIG. 1

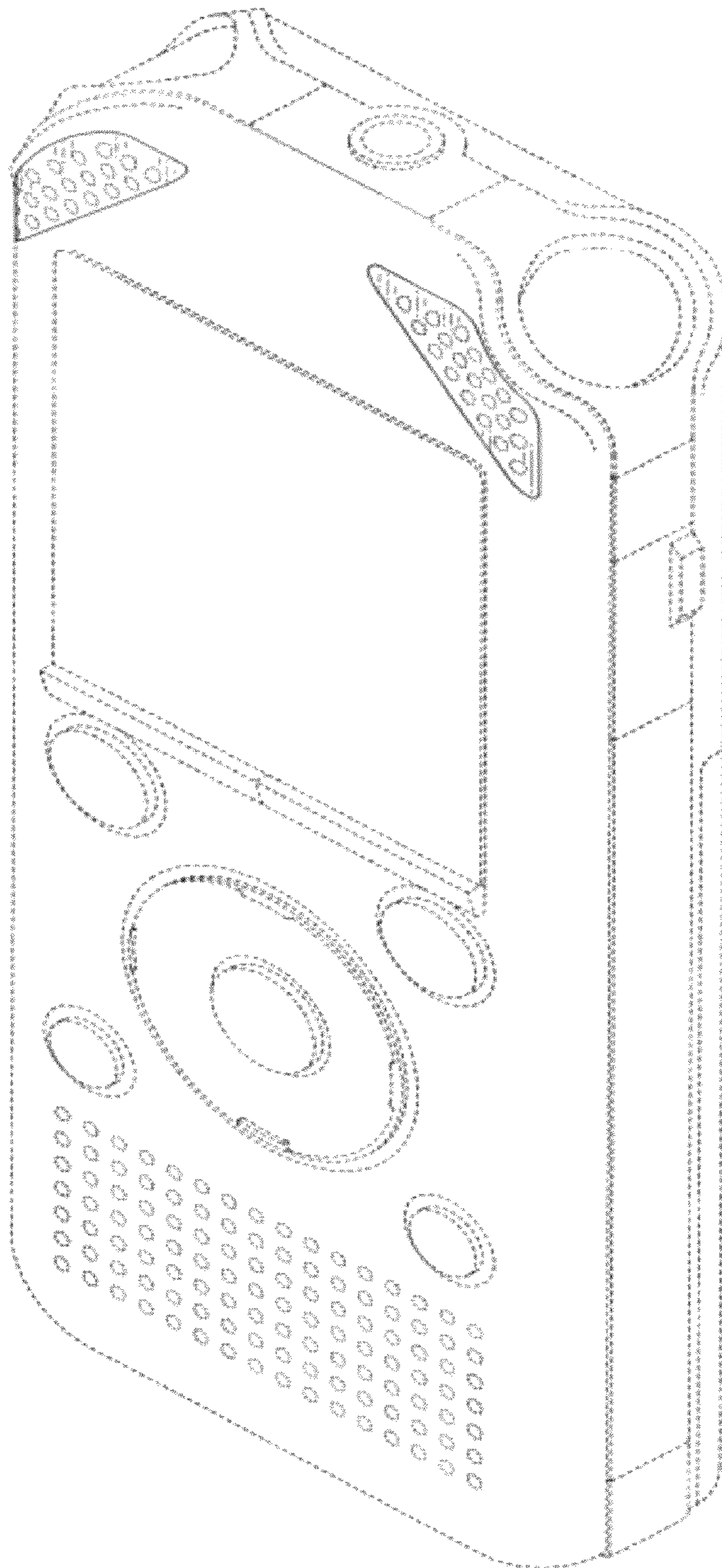


FIG.2

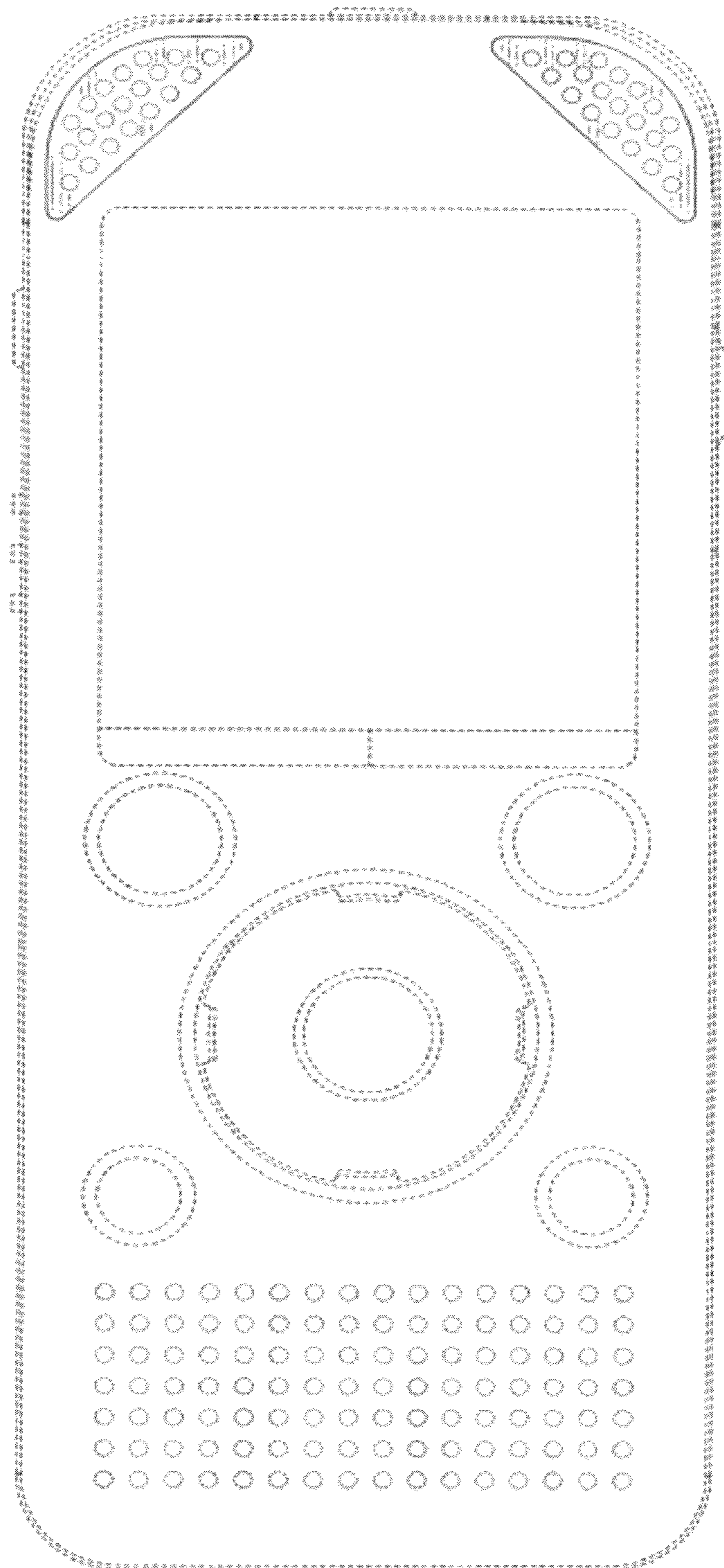


FIG. 3

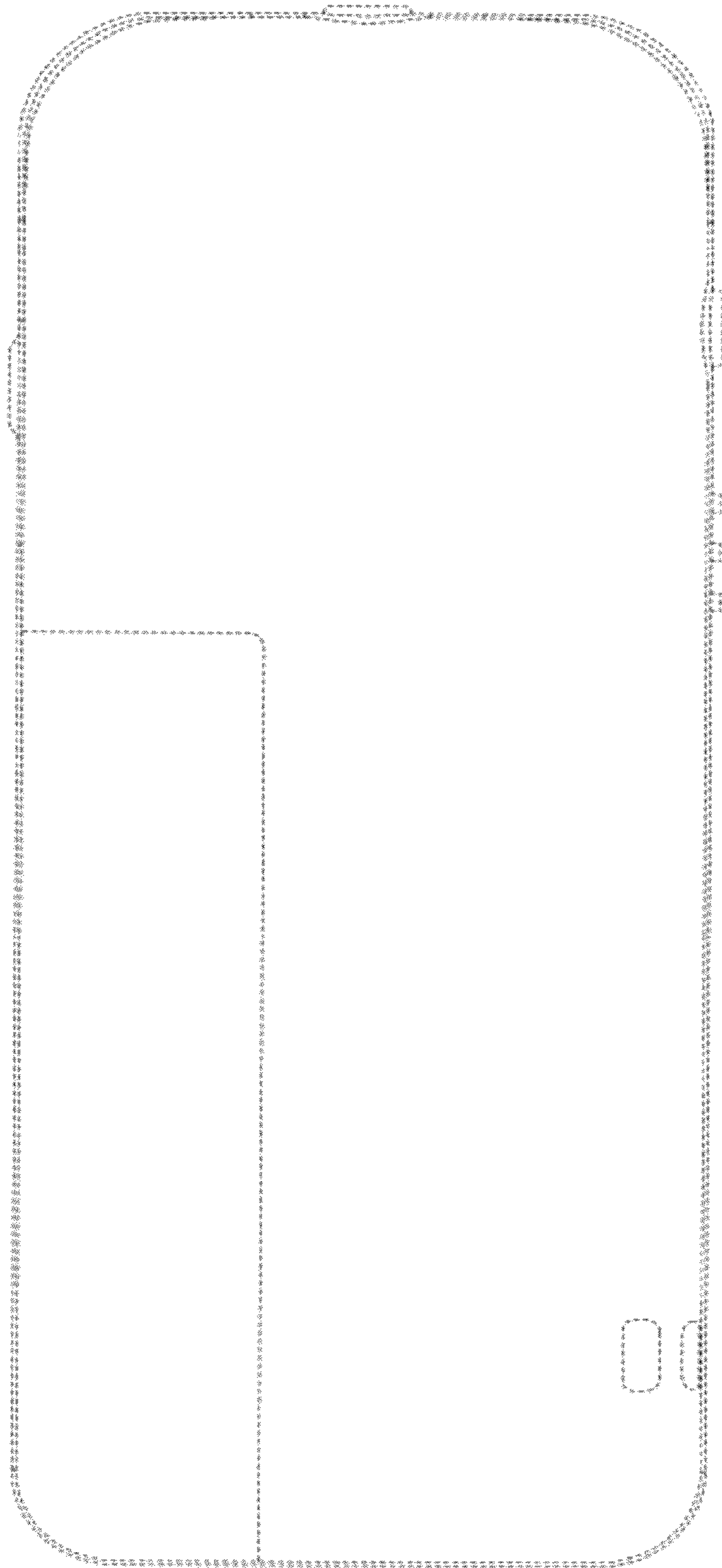


FIG.4

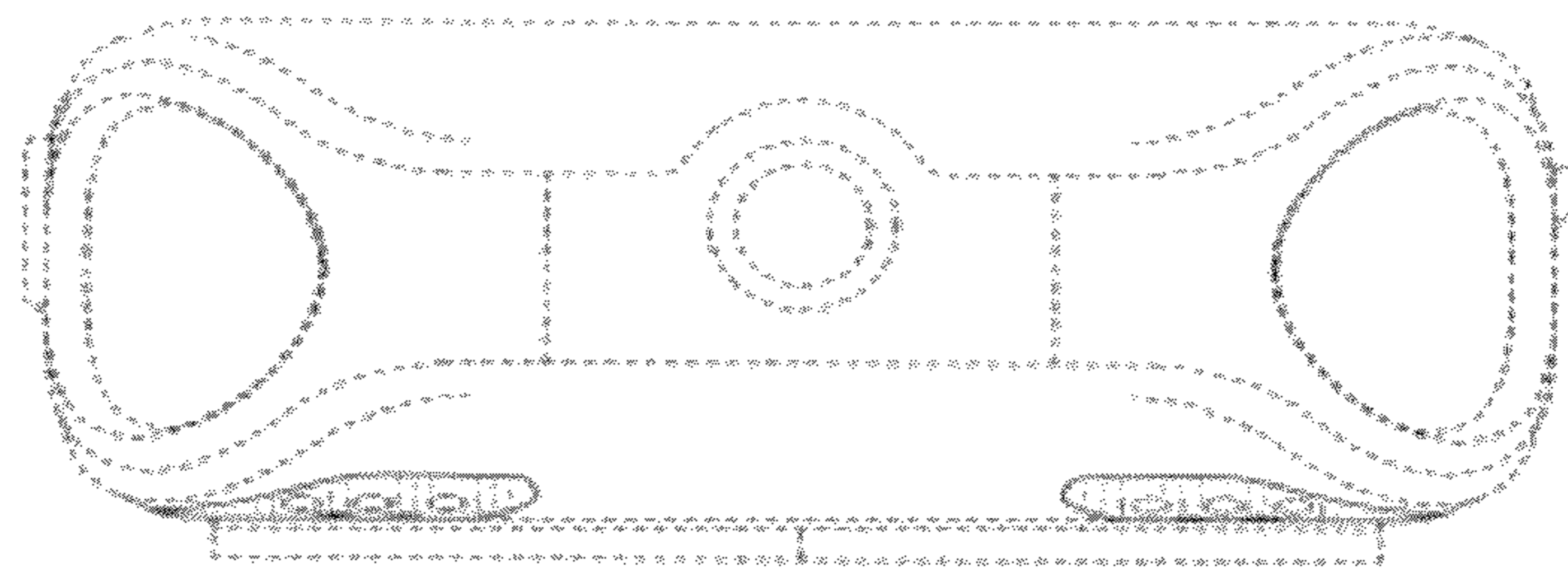


FIG.5

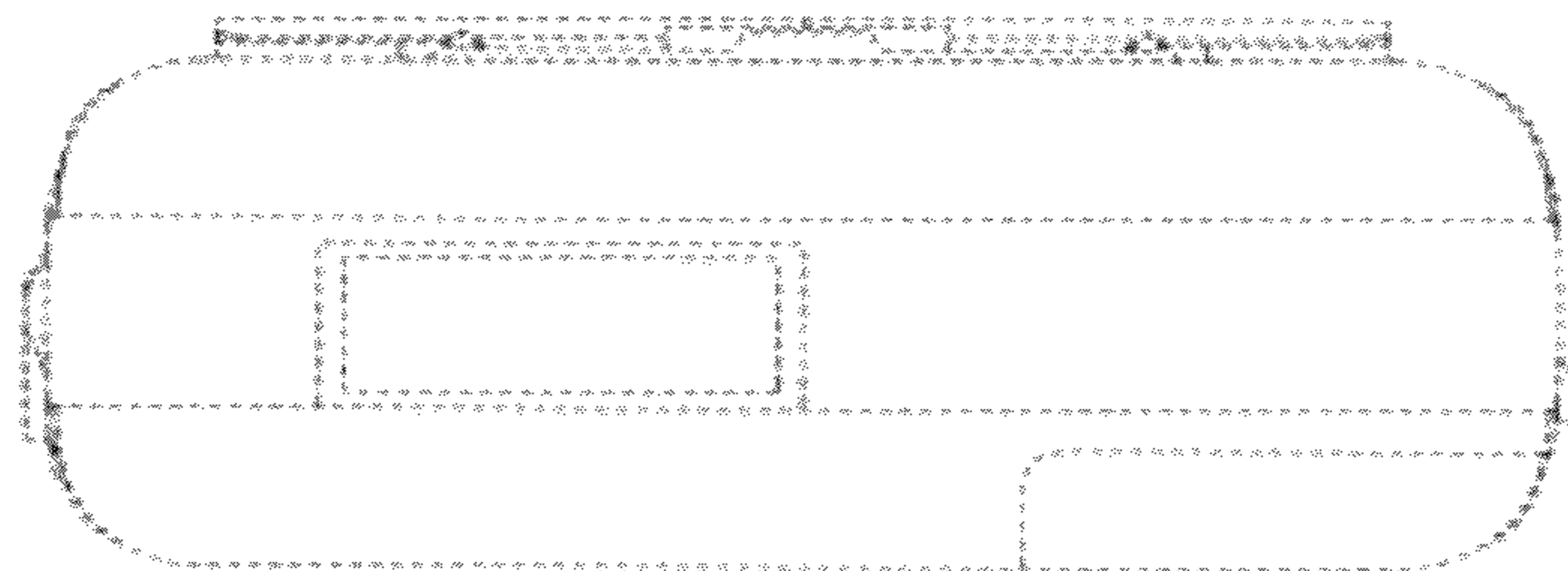


FIG.6

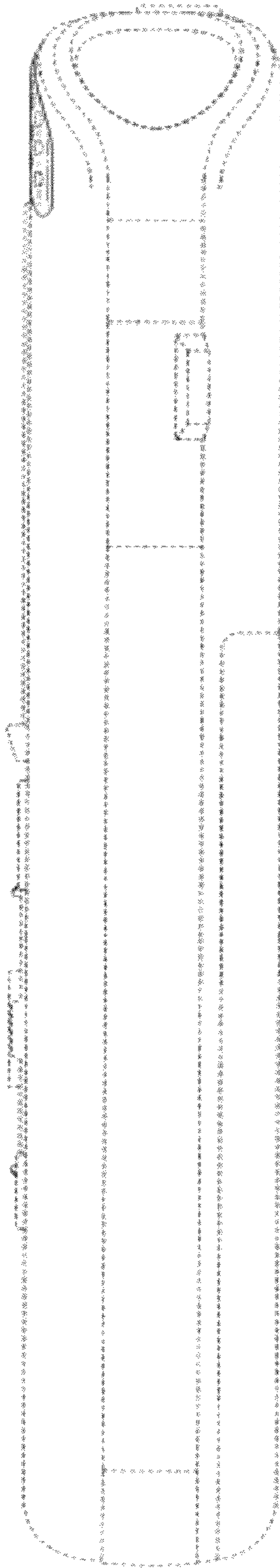


FIG.7

