



US00D665769S

(12) **United States Design Patent**
Hayashi

(10) **Patent No.:** **US D665,769 S**

(45) **Date of Patent:** **** Aug. 21, 2012**

(54) **VOICE RECORDING/REPRODUCING
DEVICE**

(75) Inventor: **Yoshihiro Hayashi**, Hachioji (JP)

(73) Assignee: **Olympus Imaging Corp.**, Tokyo (JP)

(**) Term: **14 Years**

(21) Appl. No.: **29/412,496**

(22) Filed: **Feb. 3, 2012**

(30) **Foreign Application Priority Data**

Dec. 13, 2011 (JP) 2011-028878

(51) **LOC (9) Cl.** **14-01**

(52) **U.S. Cl.** **D14/167**

(58) **Field of Classification Search** D14/167,
D14/154, 168, 188, 496, 156, 160, 161, 162,
D14/163, 164, 165, 158, 203.1, 341, 346,
D14/342, 345, 225, 226, 228, 227, 214; 455/351,
455/350; D19/60, 62; D21/330; 369/44.14,
369/44.32; 700/94

See application file for complete search history.

(56) **References Cited**

U.S. PATENT DOCUMENTS

D489,057 S * 4/2004 Obata et al. D14/225
D532,411 S * 11/2006 Shimizu D14/228

D601,120 S * 9/2009 Aoki D14/167
D611,925 S * 3/2010 Miyazaki D14/167
D623,172 S * 9/2010 Kondo et al. D14/227
D640,230 S * 6/2011 Sakai et al. D14/167
D649,524 S * 11/2011 Miyazaki D14/167

* cited by examiner

Primary Examiner — Austin Murphy

(74) *Attorney, Agent, or Firm* — Holtz, Holtz, Goodman & Chick, PC

(57) **CLAIM**

The ornamental design for a voice recording/reproducing device, as shown and described.

DESCRIPTION

FIG. 1 is a front, top and right side perspective view of a voice recording/reproducing device showing my new design;
FIG. 2 is a front elevational view thereof;
FIG. 3 is a rear elevational view thereof;
FIG. 4 is a top plan view thereof;
FIG. 5 is a bottom plan view thereof;
FIG. 6 is a right side elevational view thereof; and,
FIG. 7 is a left side elevational view thereof.

The broken lines shown in the drawings represent portions of the voice recorder/reproducing device that form no part of the claimed design.

1 Claim, 6 Drawing Sheets

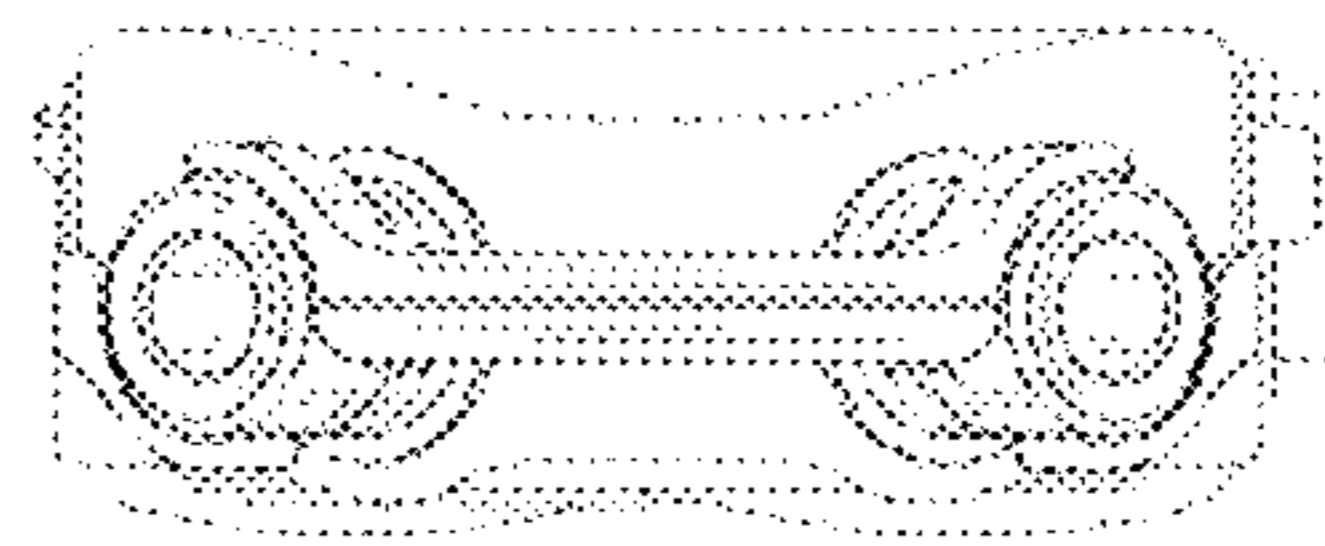
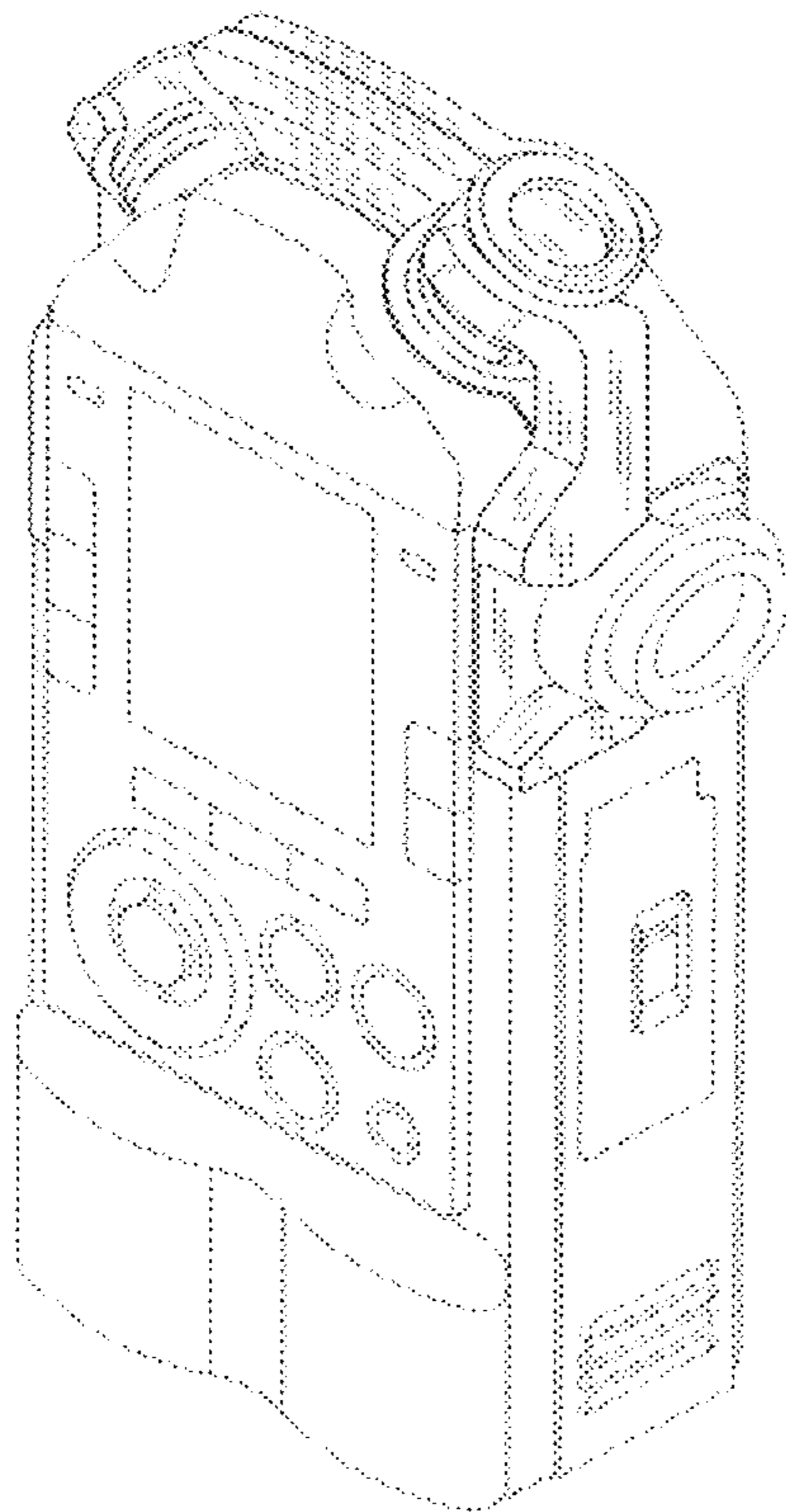


FIG. 1

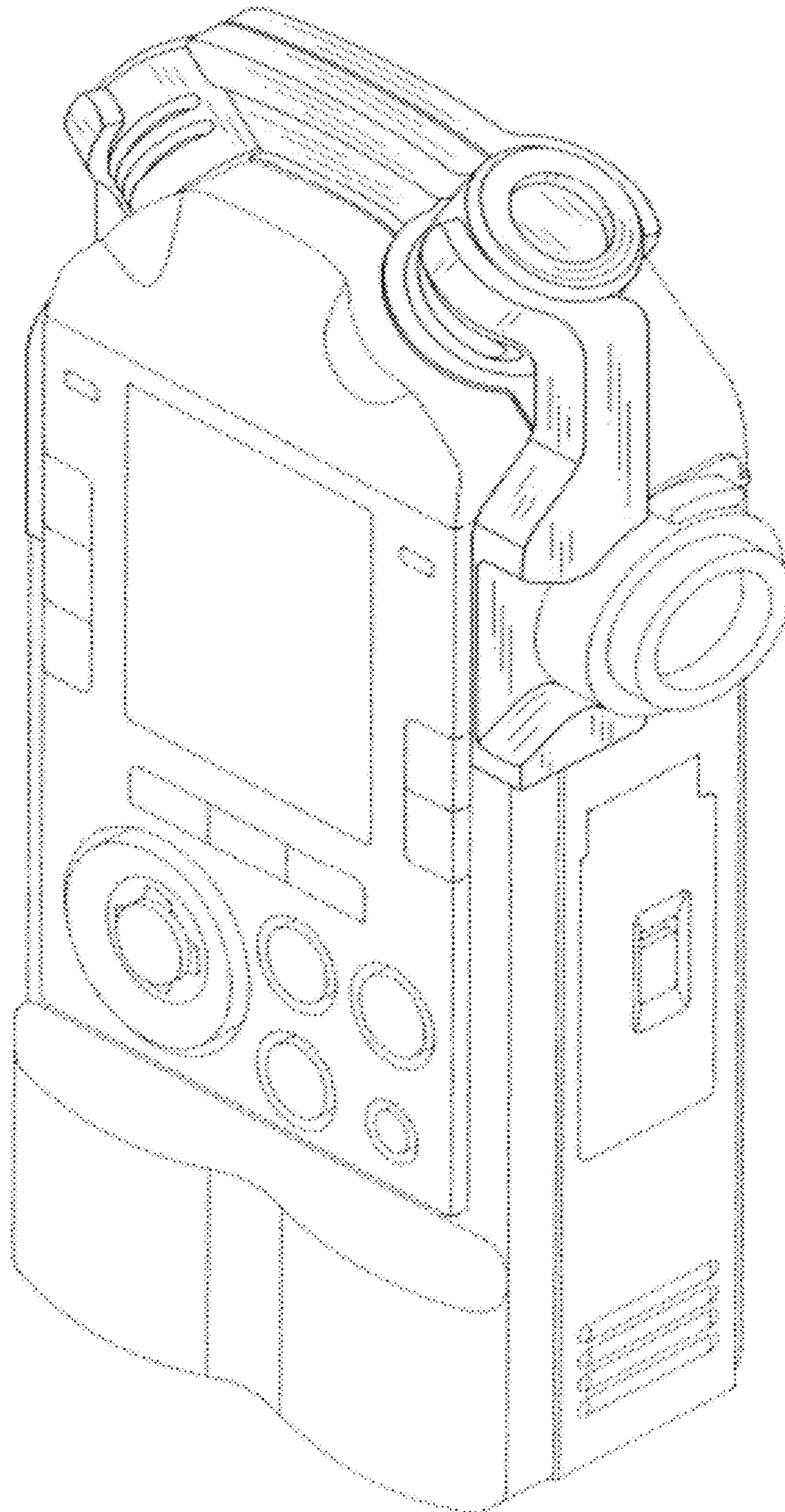


FIG.2

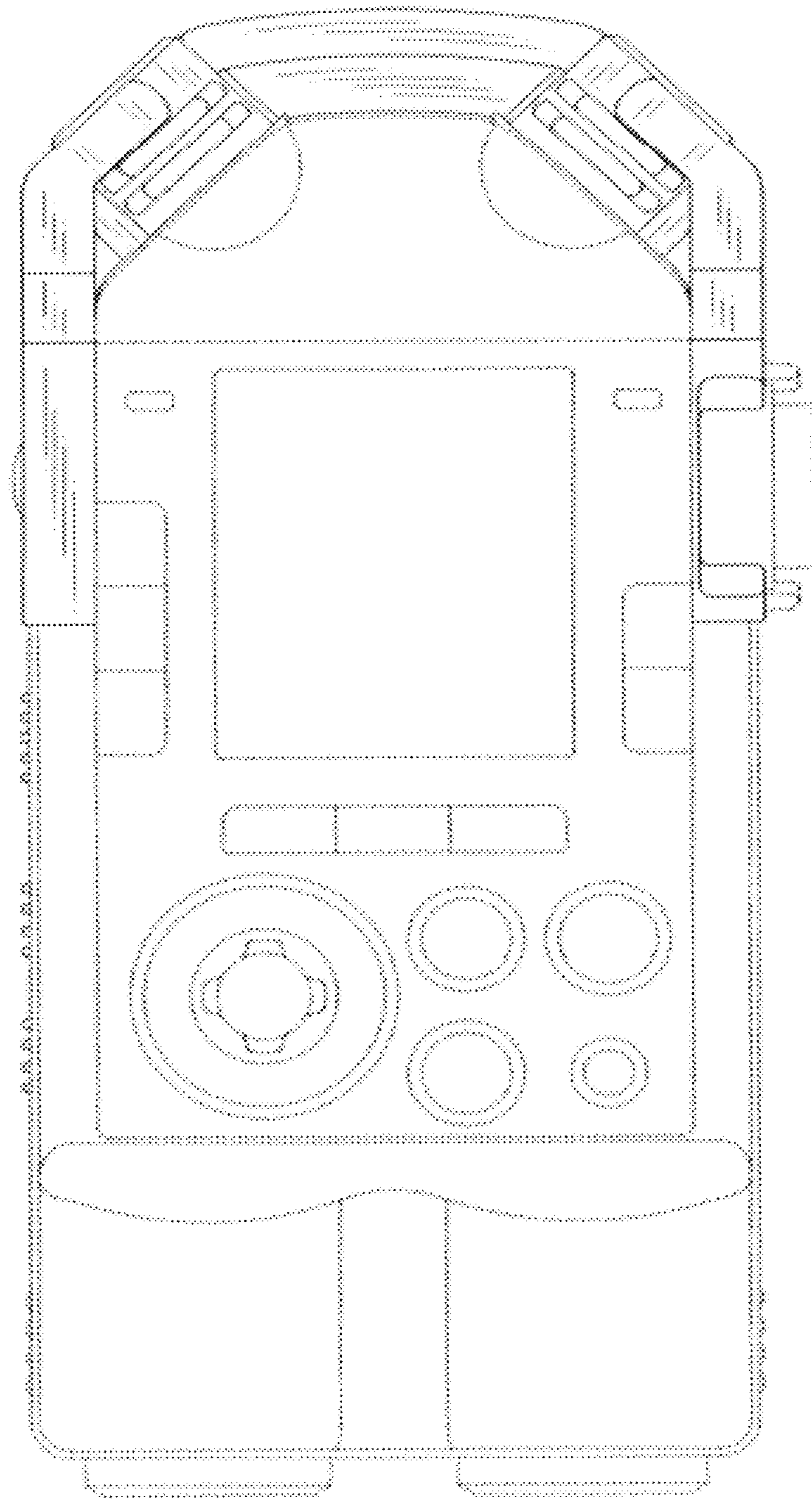


FIG. 3

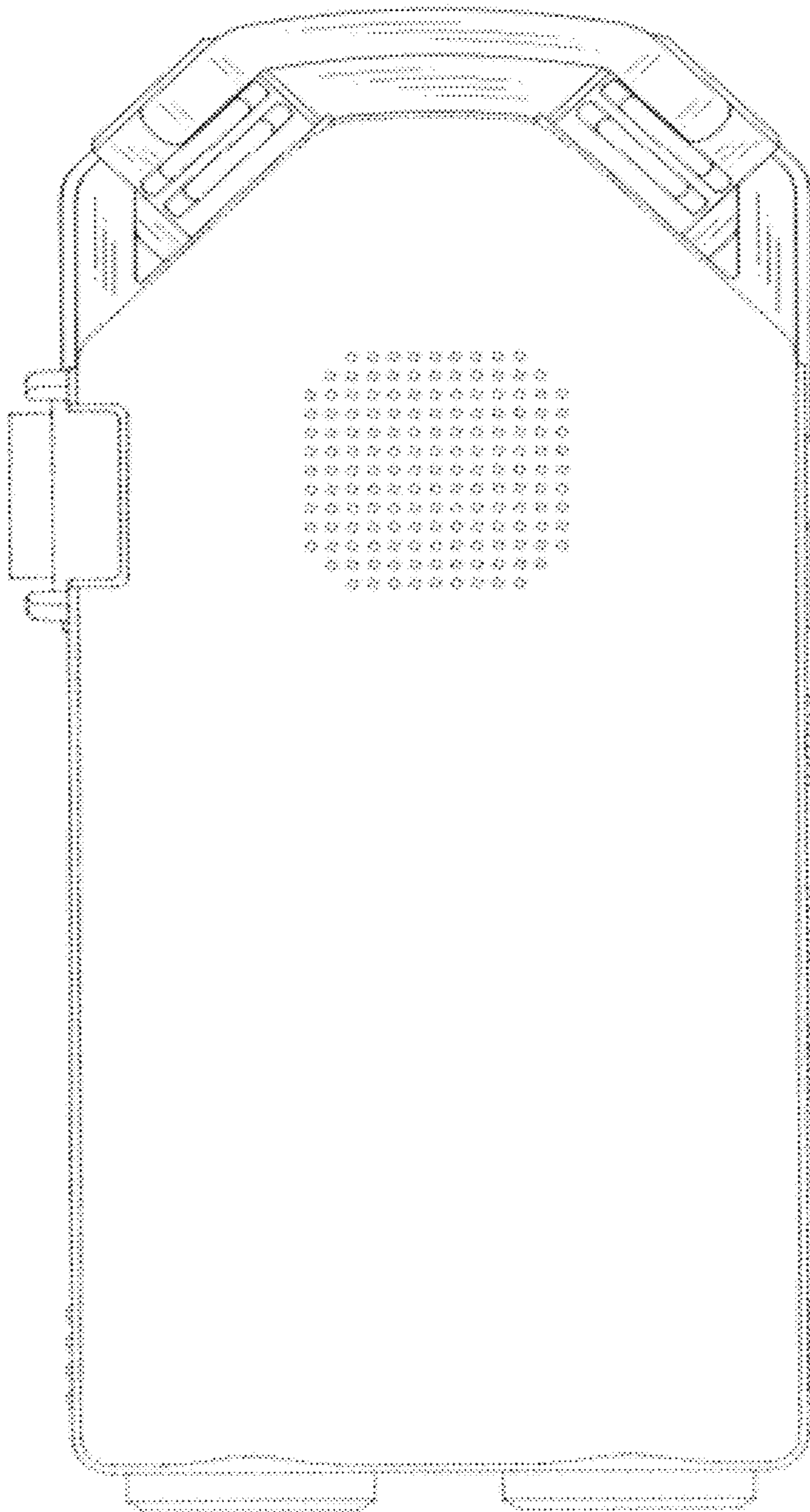


FIG.4

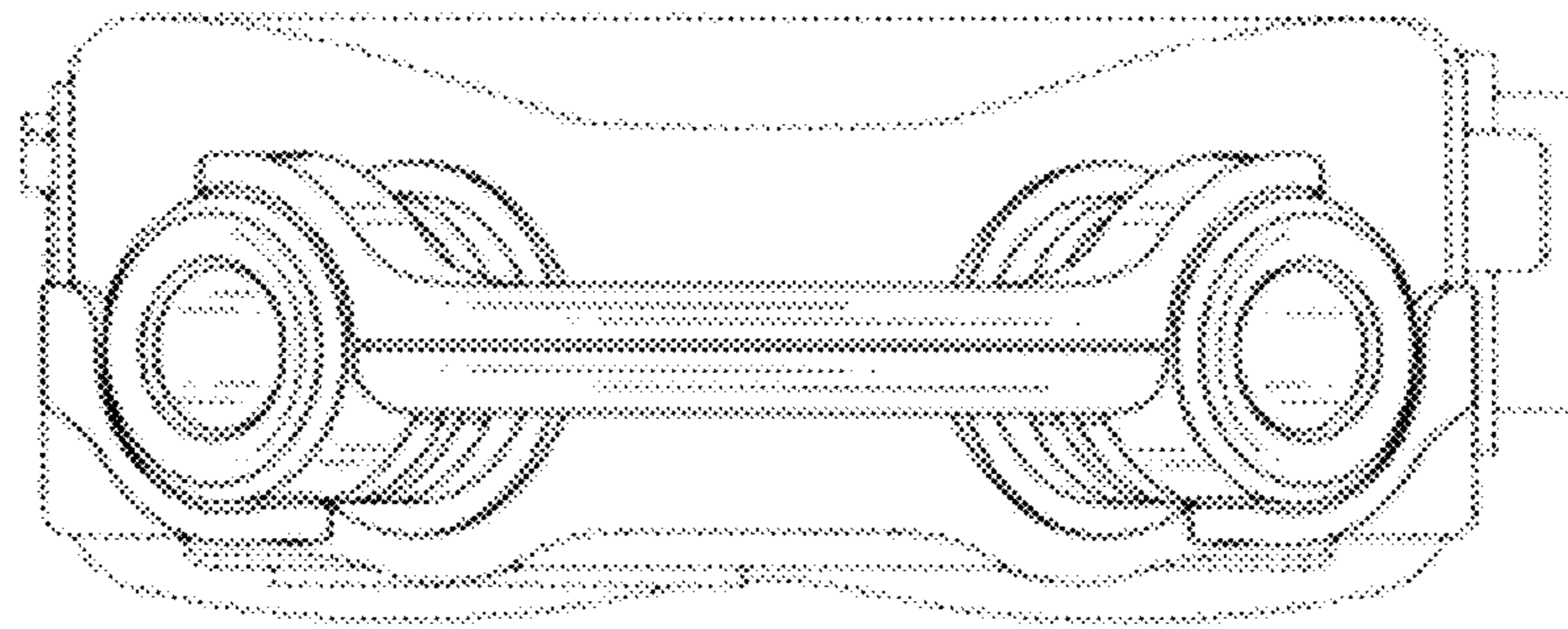


FIG.5

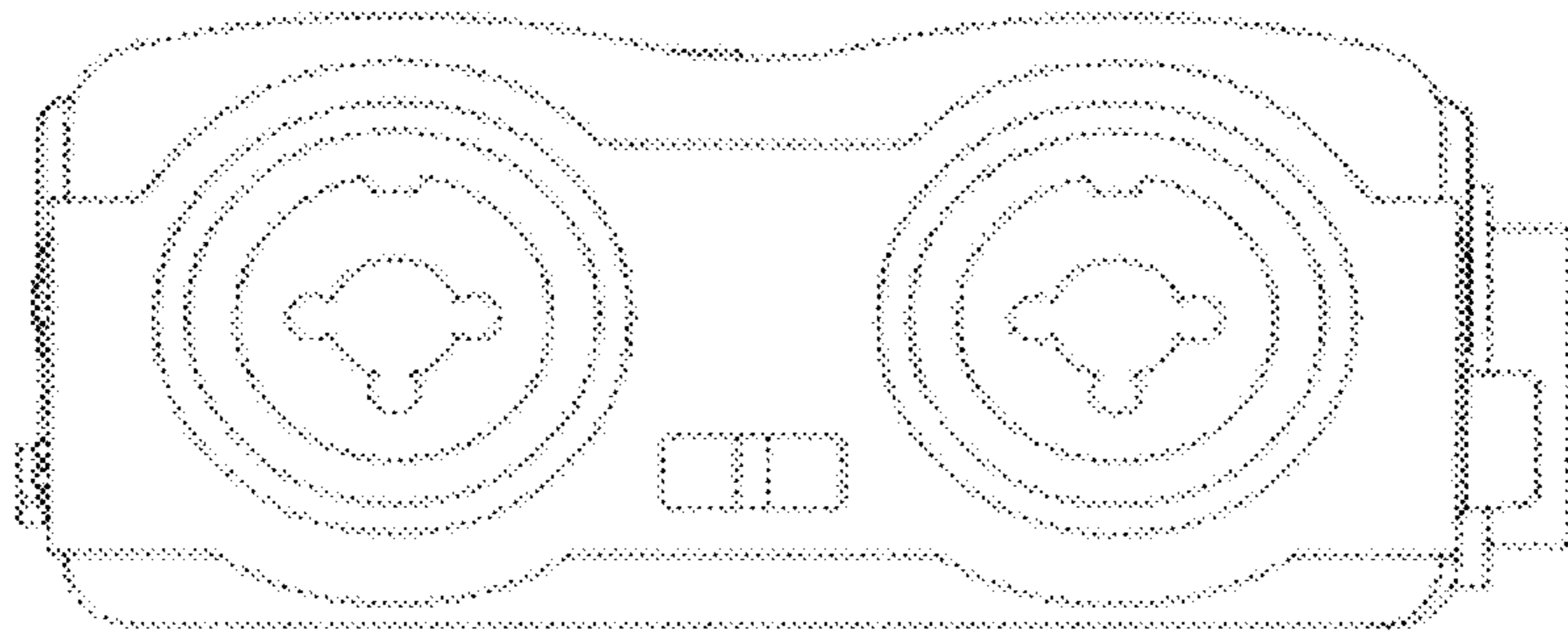


FIG. 6

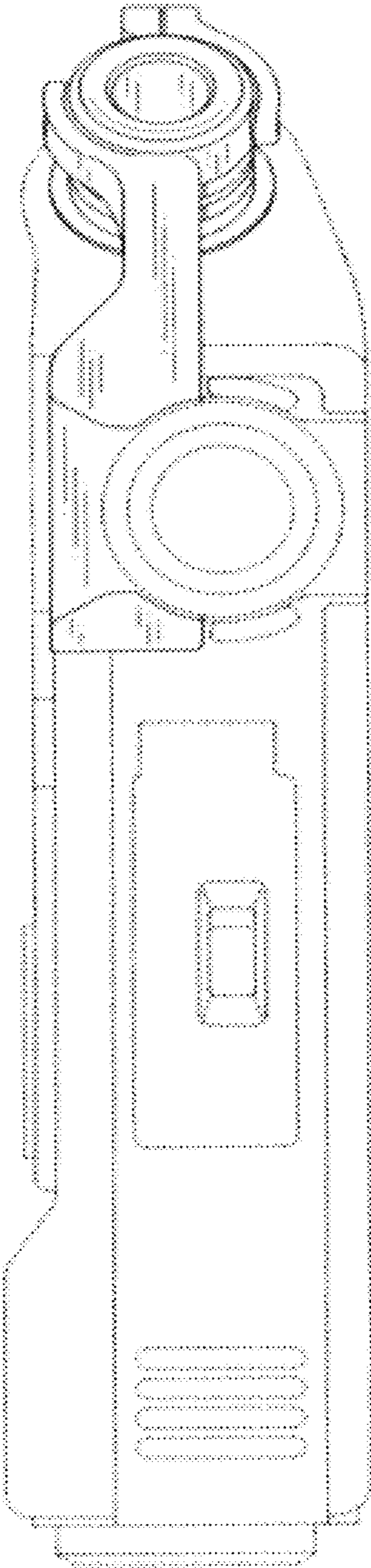


FIG. 7

