



US00D665768S

(12) **United States Design Patent**
Kumagai

(10) **Patent No.:** **US D665,768 S**
(45) **Date of Patent:** **** Aug. 21, 2012**

- (54) **PORTABLE RECORDER**
- (75) Inventor: **Yoshiaki Kumagai**, Tokyo (JP)
- (73) Assignee: **Sony Corporation**, Tokyo (JP)
- (**) Term: **14 Years**
- (21) Appl. No.: **29/371,846**
- (22) Filed: **Oct. 25, 2011**

Related U.S. Application Data

- (63) Continuation of application No. 29/347,466, filed on Jan. 27, 2010, now Pat. No. Des. 649,955.

Foreign Application Priority Data

- Aug. 26, 2009 (CN) 2009 3 0007036
 - Aug. 31, 2009 (JP) D2009-020024
 - (51) **LOC (9) Cl.** **14-01**
 - (52) **U.S. Cl.** **D14/167**
 - (58) **Field of Classification Search** D14/167,
D14/154, 168, 188, 496, 156, 160, 161, 162,
D14/163, 164, 165, 158, 203.1, 341, 346,
D14/342, 345, 225, 226, 228, 227, 214; 455/351,
455/350; D19/60, 62; D21/330; 369/44.14,
369/44.32; 700/94
- See application file for complete search history.

References Cited

U.S. PATENT DOCUMENTS

- D217,467 S 5/1970 Tsuji
- D310,367 S 9/1990 Dockery
- D317,162 S 5/1991 Wingate
- D374,871 S 10/1996 Taniguchi
- D463,393 S 9/2002 Kataoka
- D473,207 S * 4/2003 Tanio D14/168
- D473,535 S 4/2003 Ishii
- D481,702 S 11/2003 Takagi
- D486,466 S 2/2004 Tanaka
- D491,165 S 6/2004 Hakoda
- D509,834 S 9/2005 Kataoka
- D510,334 S * 10/2005 Isono D14/167

- D516,083 S 2/2006 Kataoka
- D518,021 S 3/2006 Tanaka
- D568,878 S 5/2008 Aoki
- 7,372,501 B2 5/2008 Fujii
- D571,799 S 6/2008 Ogasawara
- D576,197 S 9/2008 Takagi
- D608,338 S * 1/2010 Myojo D14/167
- D608,781 S 1/2010 Wada
- D611,925 S * 3/2010 Miyazaki D14/167
- D612,856 S 3/2010 Wahl et al.
- D621,383 S 8/2010 Hou
- D623,166 S 9/2010 Oka
- D634,727 S * 3/2011 Wakabayashi D14/167
- D635,122 S * 3/2011 Sakai D14/167
- D640,230 S 6/2011 Sakai et al.
- D647,077 S * 10/2011 Hayashi D14/167
- D649,524 S * 11/2011 Miyazaki D14/167
- D649,955 S * 12/2011 Kumagai D14/167

FOREIGN PATENT DOCUMENTS

- JP D1307512 S 8/2007
- JP D1329426 S 5/2008
- JP D1362554 S 6/2009
- JP D1363071 S 6/2009
- JP EM-001537440-0002 S 6/2009

* cited by examiner

Primary Examiner — Austin Murphy

(74) *Attorney, Agent, or Firm* — Rader, Fishman & Grauer PLLC

CLAIM

(57) The ornamental design for a portable recorder, as shown and described.

DESCRIPTION

FIG. 1 is a perspective view of a portable recorder showing my new design;
 FIG. 2 is a front elevational view thereof;
 FIG. 3 is a rear elevational view thereof;
 FIG. 4 is a left side elevational view thereof;
 FIG. 5 is a right side elevational view thereof;
 FIG. 6 is a top plan view thereof; and,
 FIG. 7 is a bottom plan view thereof.

1 Claim, 5 Drawing Sheets

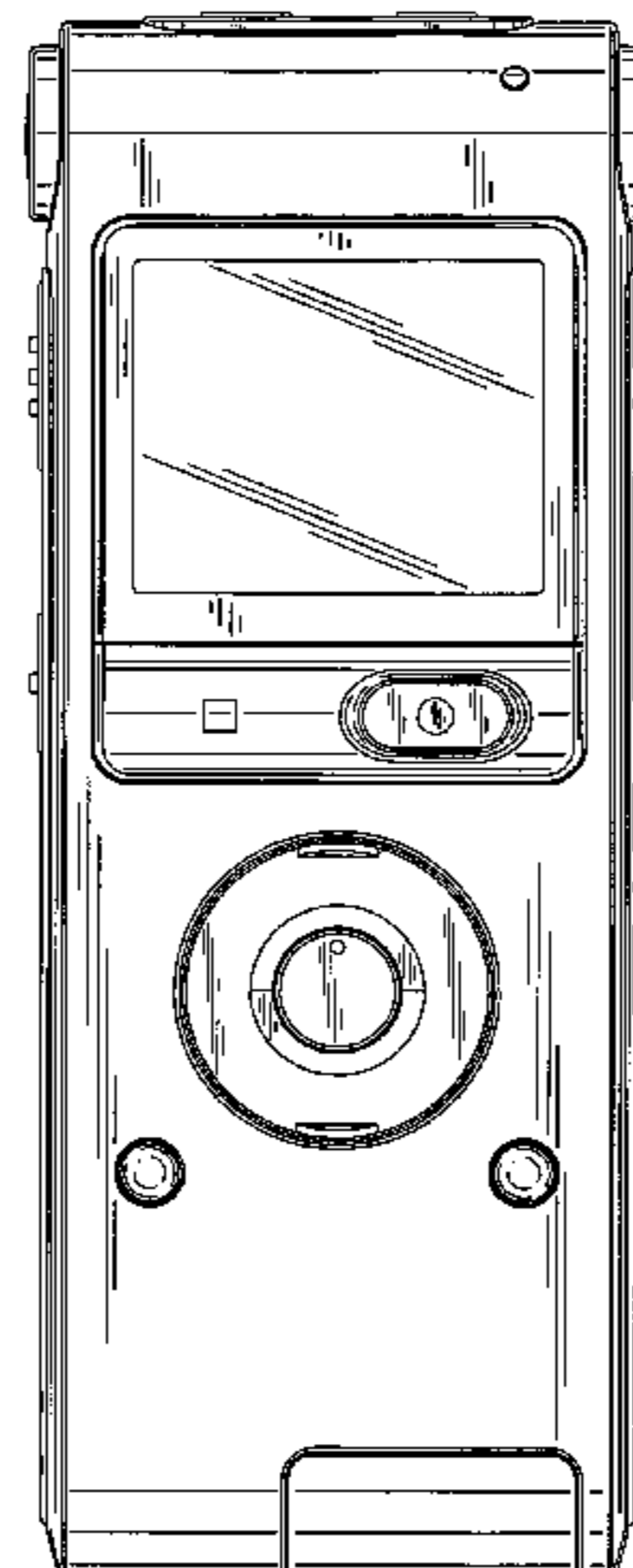


FIG. 1

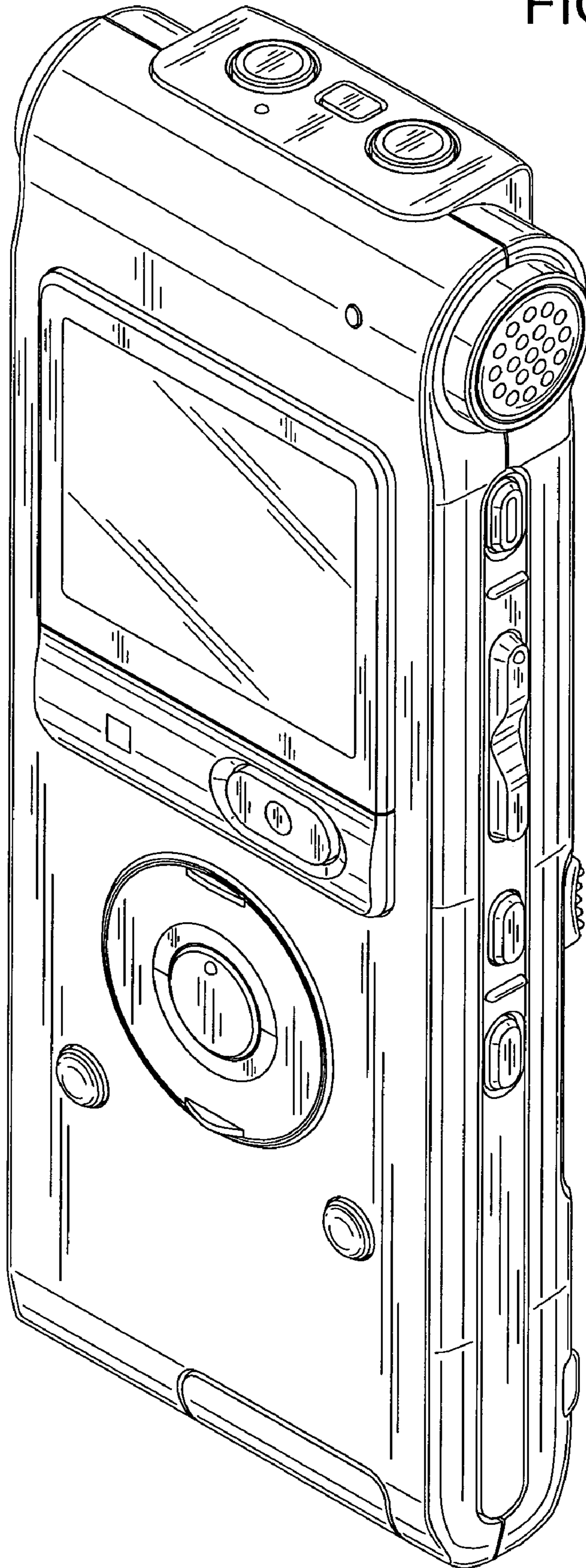


FIG.2

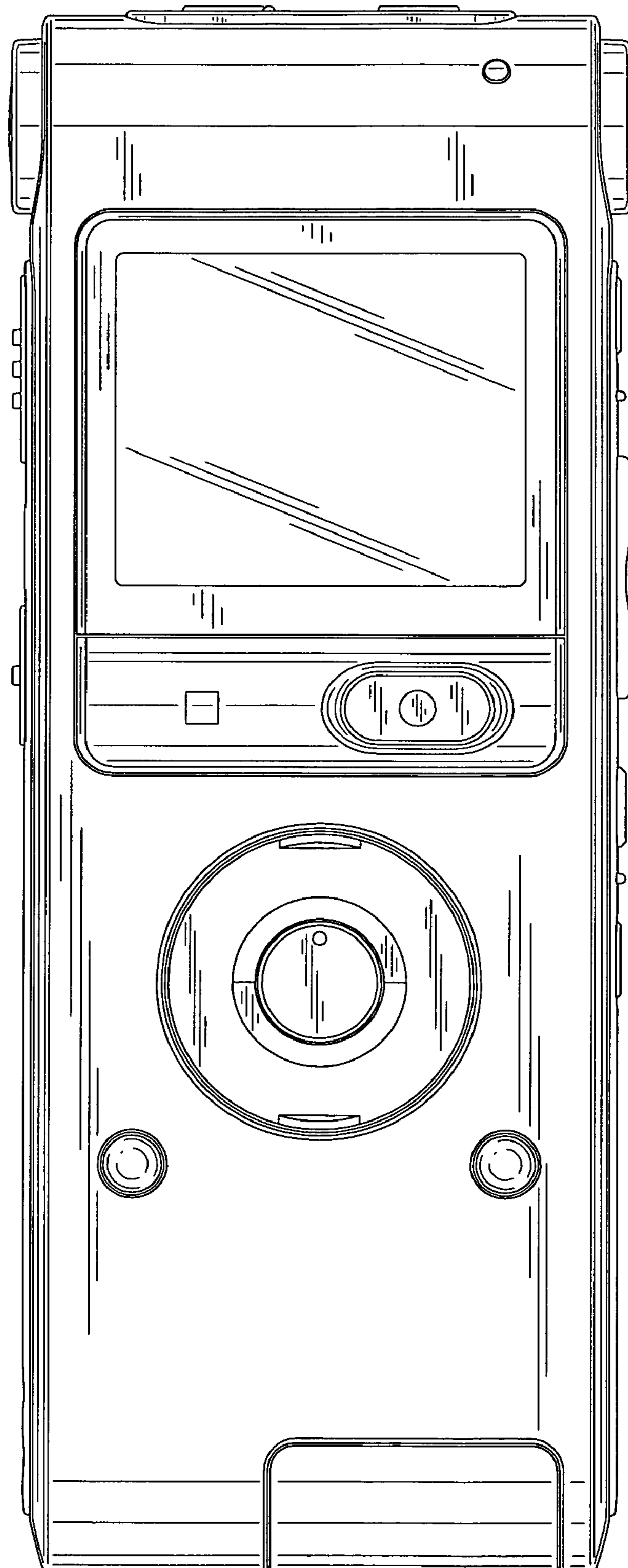


FIG.3

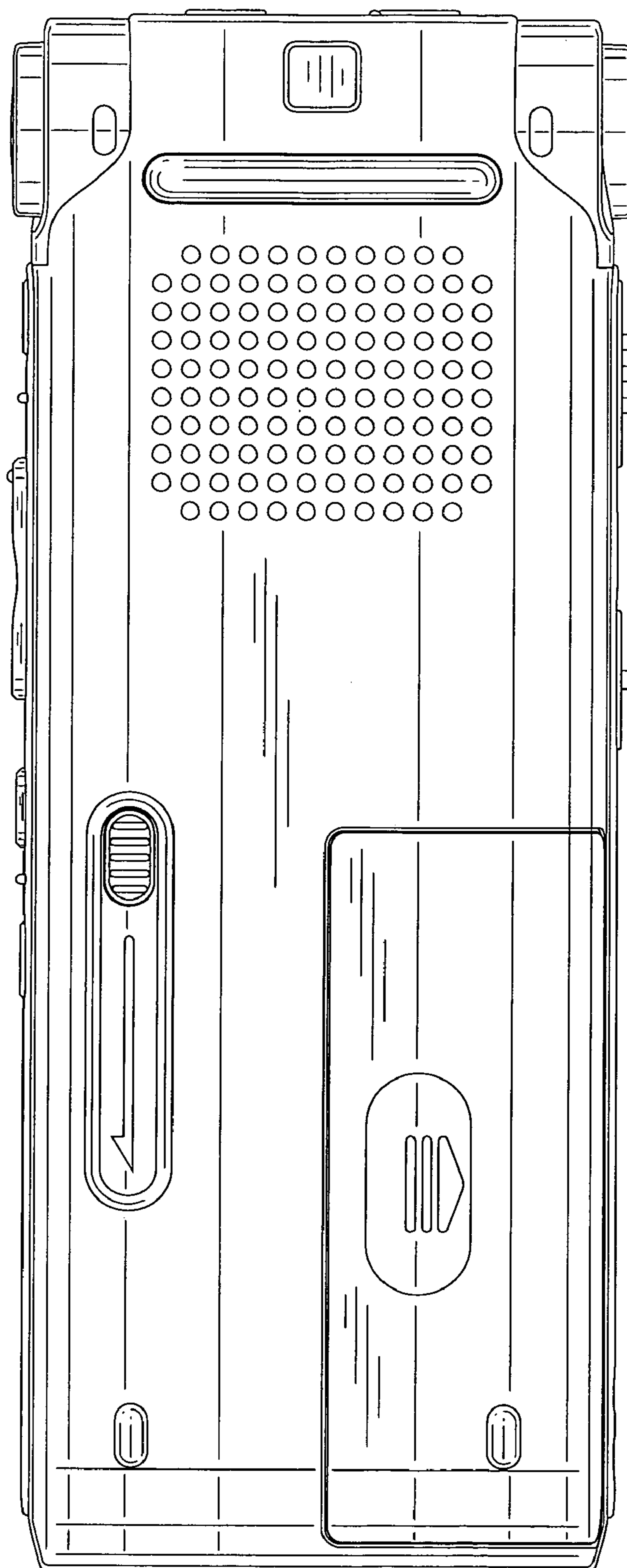


FIG.4

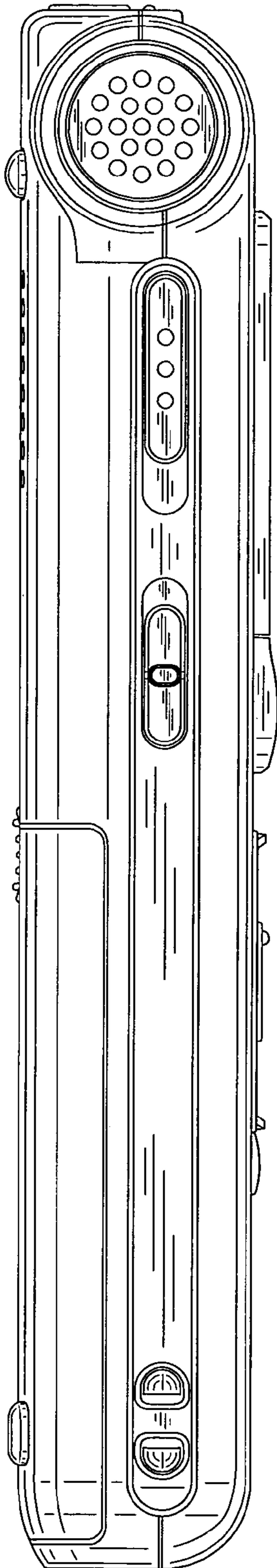


FIG.5

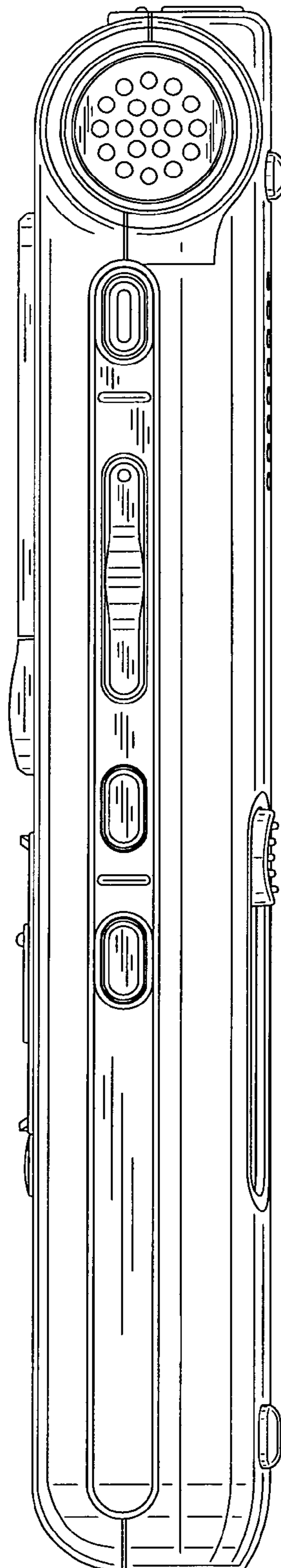


FIG.6

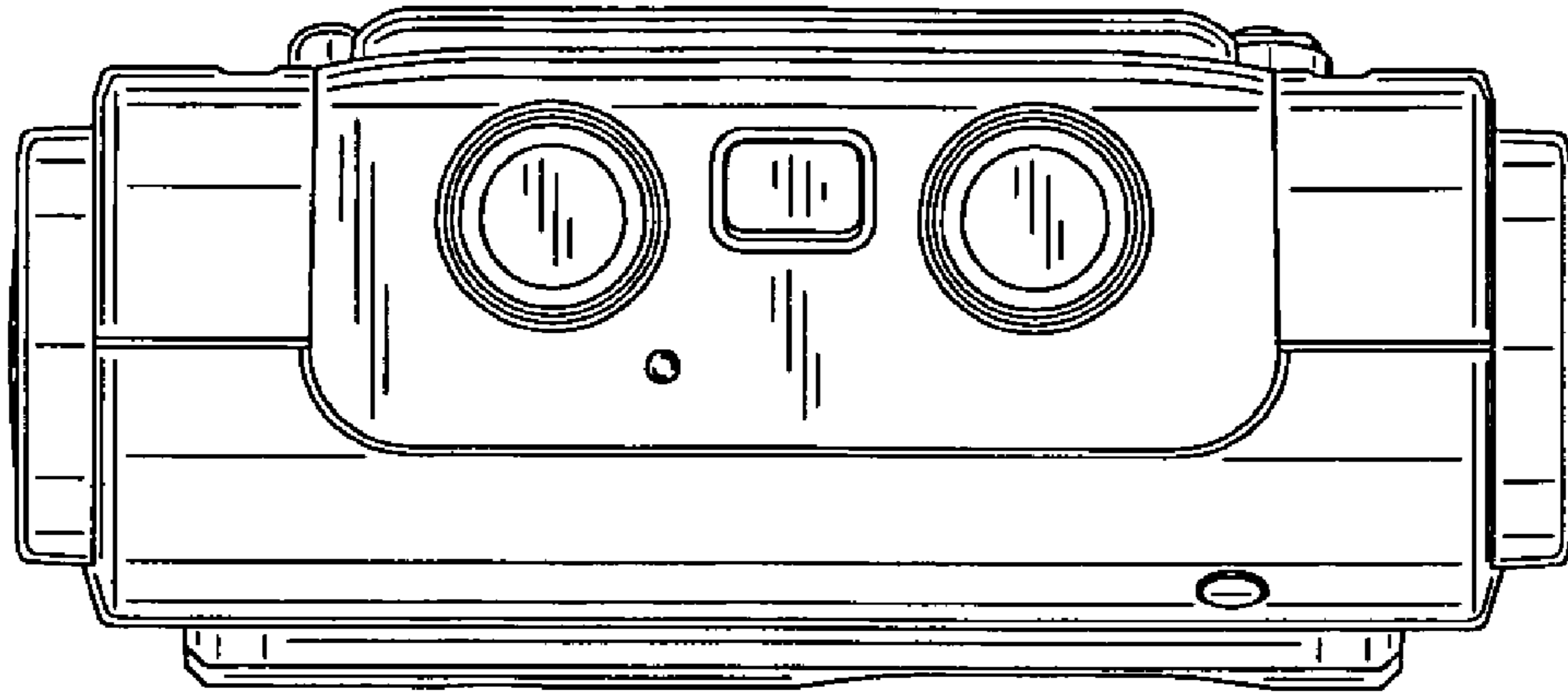


FIG.7

