



US00D665760S

(12) **United States Design Patent**  
**Chiu**

(10) **Patent No.:** **US D665,760 S**

(45) **Date of Patent:** **\*\* Aug. 21, 2012**

(54) **DISPLAY**

(75) Inventor: **Yi-Chung Chiu**, Taoyuan County (TW)

(73) Assignee: **Hannspree, Inc.**, New Taipei (TW)

(\*\*) Term: **14 Years**

(21) Appl. No.: **29/407,519**

(22) Filed: **Nov. 30, 2011**

(51) **LOC (9) Cl.** ..... **14-03**

(52) **U.S. Cl.** ..... **D14/126**

(58) **Field of Classification Search** ..... D14/125-134,  
D14/239, 371, 136, 374-377, 440, 450, 448,  
D14/336, 342; 312/7.2; 348/836, 838, 180,  
348/184, 325, 739; 341/12; 248/917-924,  
248/465; 345/104, 133, 156, 168, 87, 173;  
369/99, 197; D21/329, 515, 577, 622, 333,  
D21/433, 448, 452, 450, 331; D6/477, 479,  
D6/300; 273/148 B; 446/484, 175, 356;  
D10/15, 26

See application file for complete search history.

(56) **References Cited**

U.S. PATENT DOCUMENTS

D478,080 S \* 8/2003 Wu ..... D14/374  
D526,627 S \* 8/2006 Williams ..... D14/126

D527,356 S \* 8/2006 Hoehn ..... D14/126  
D529,883 S \* 10/2006 Hoehn et al. .... D14/126  
D543,960 S \* 6/2007 Bloem ..... D14/126  
D558,699 S \* 1/2008 Hoehn ..... D14/126  
D561,128 S \* 2/2008 Bloem ..... D14/126  
D564,989 S \* 3/2008 Kita ..... D14/126  
D566,067 S \* 4/2008 Kita ..... D14/126

\* cited by examiner

*Primary Examiner* — Raphael Barkai

(74) *Attorney, Agent, or Firm* — Schmeiser, Olsen & Watts  
LLP

(57) **CLAIM**

The ornamental design for a display, as shown and described.

**DESCRIPTION**

FIG. 1 is a front perspective view of display showing my new design;

FIG. 2 is a front elevational view thereof;

FIG. 3 is a rear elevational view thereof;

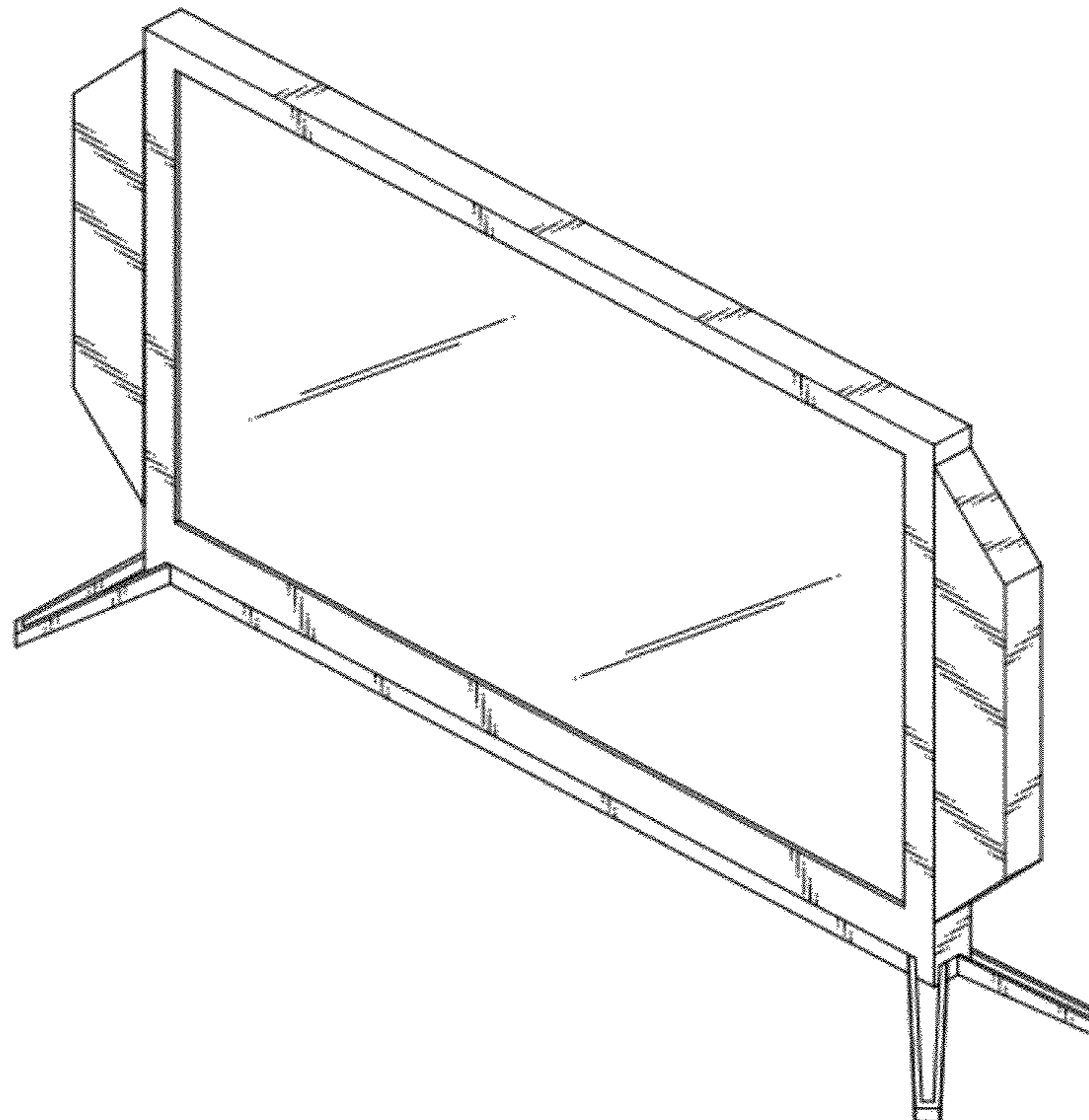
FIG. 4 is a left side elevational view thereof;

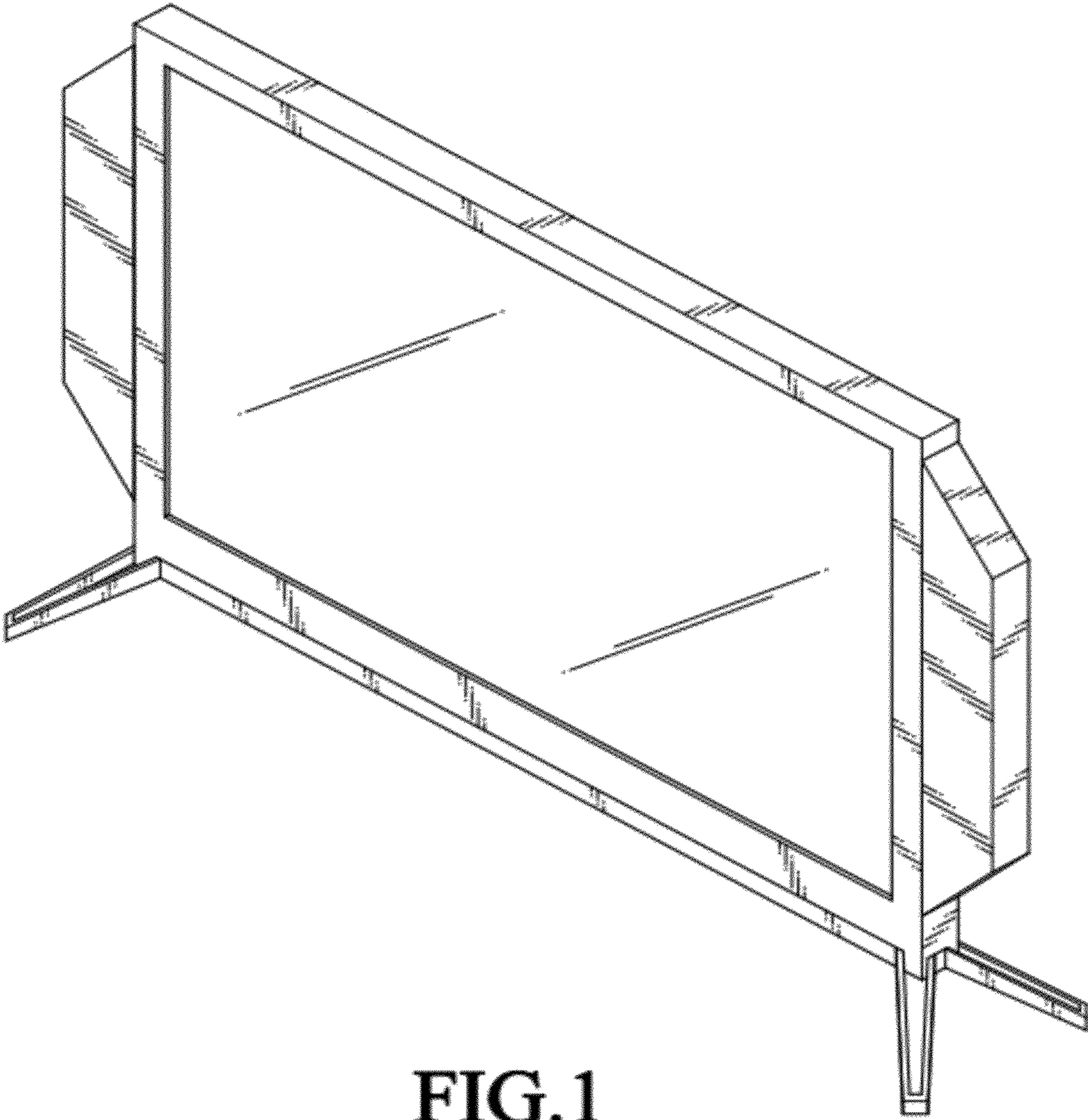
FIG. 5 is a right side elevational view thereof;

FIG. 6 is a top plan view thereof; and,

FIG. 7 is a bottom plan view thereof.

**1 Claim, 7 Drawing Sheets**





**FIG. 1**

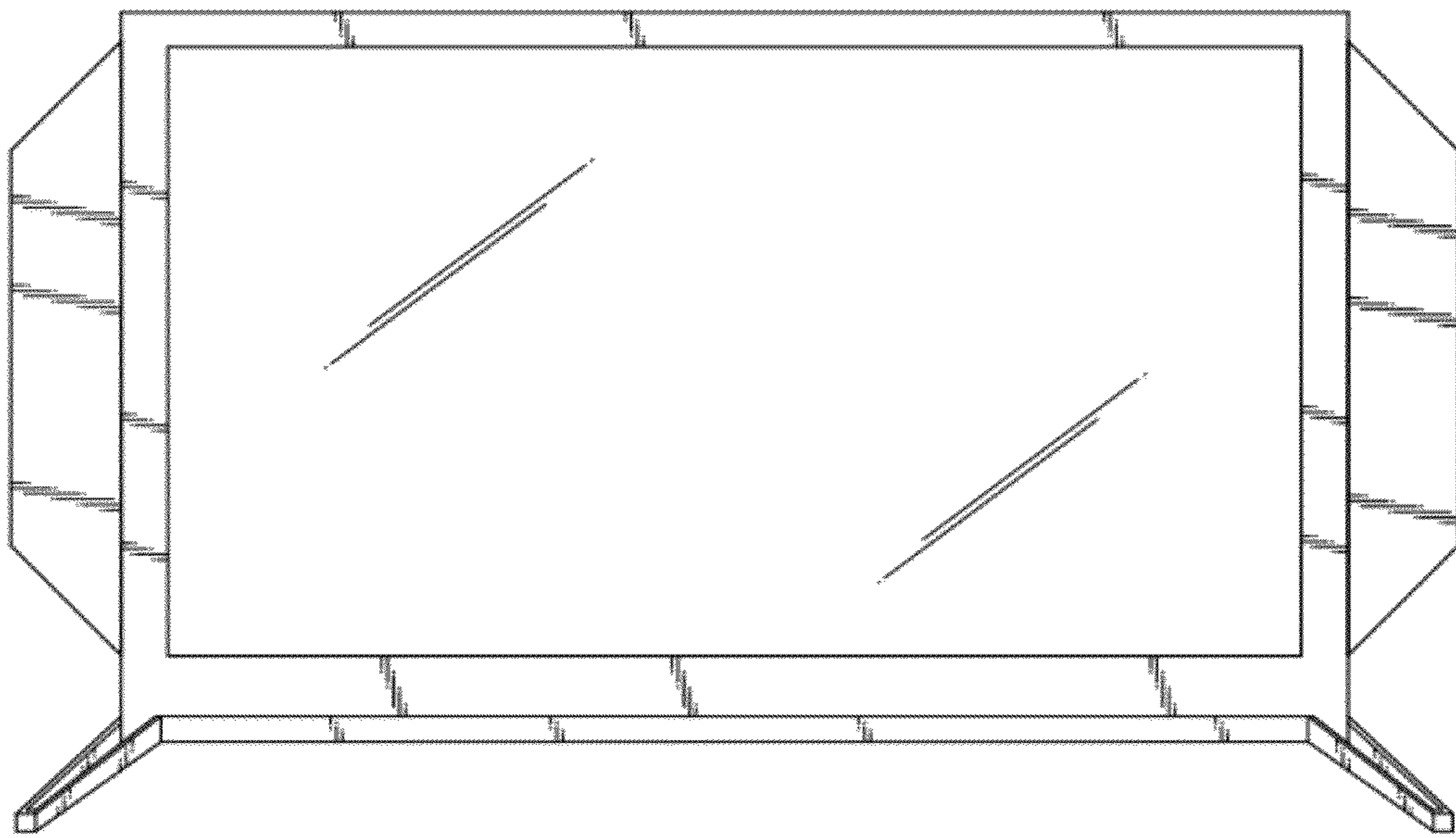


FIG.2

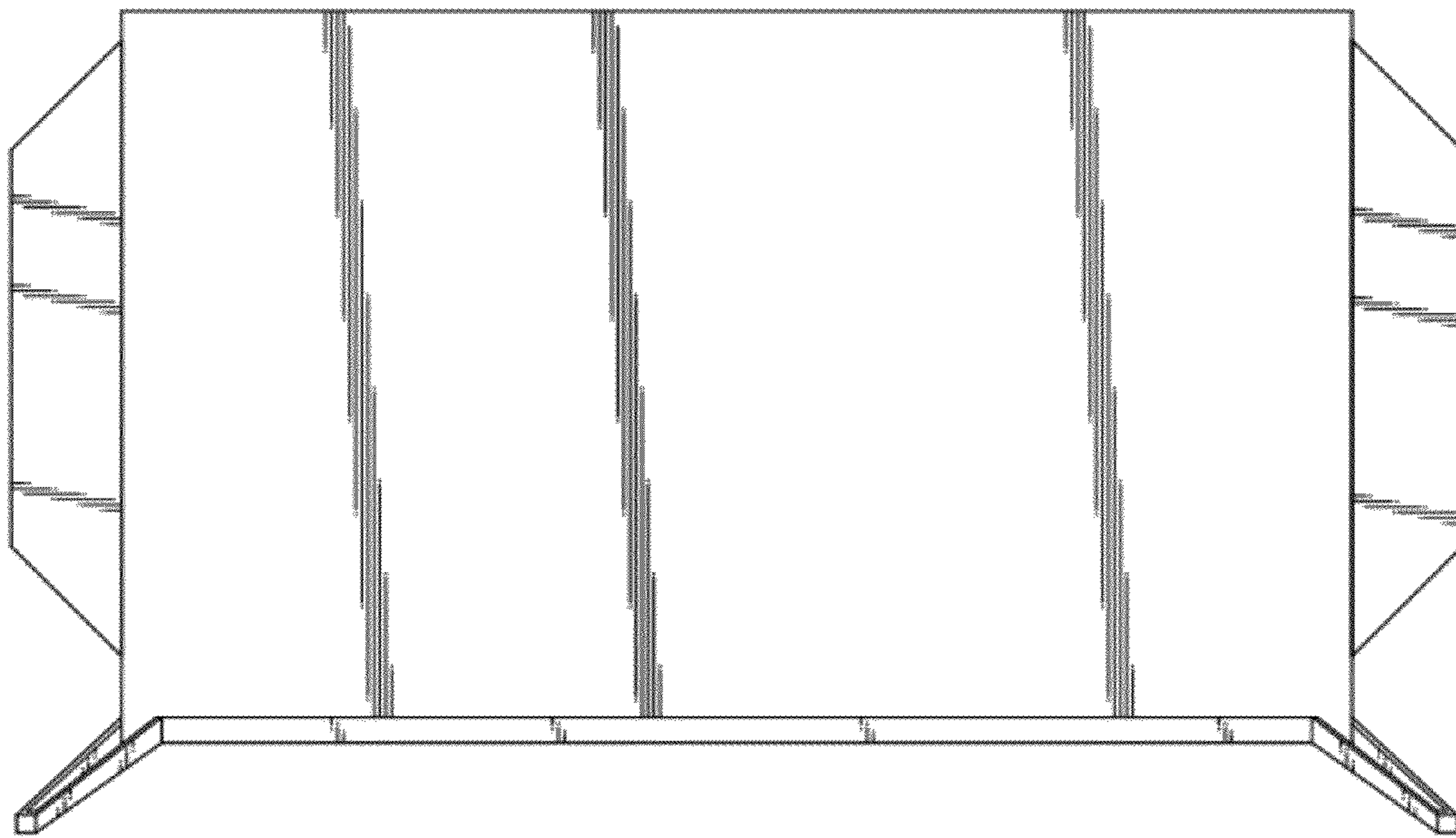
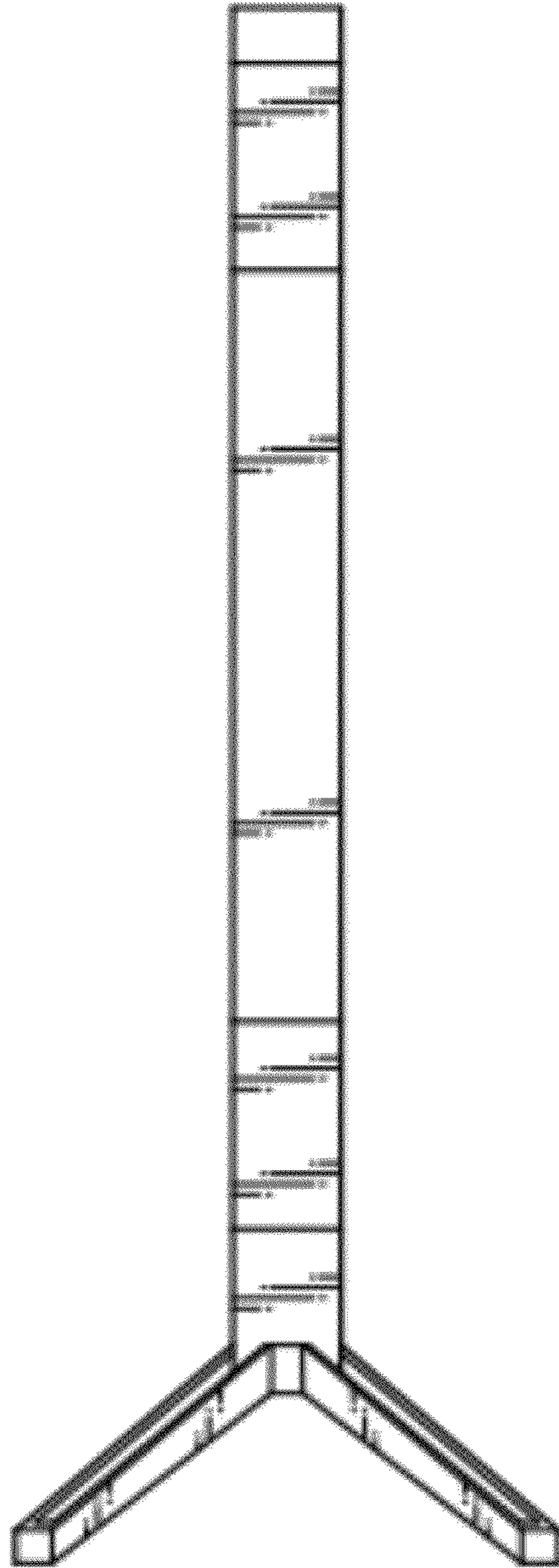
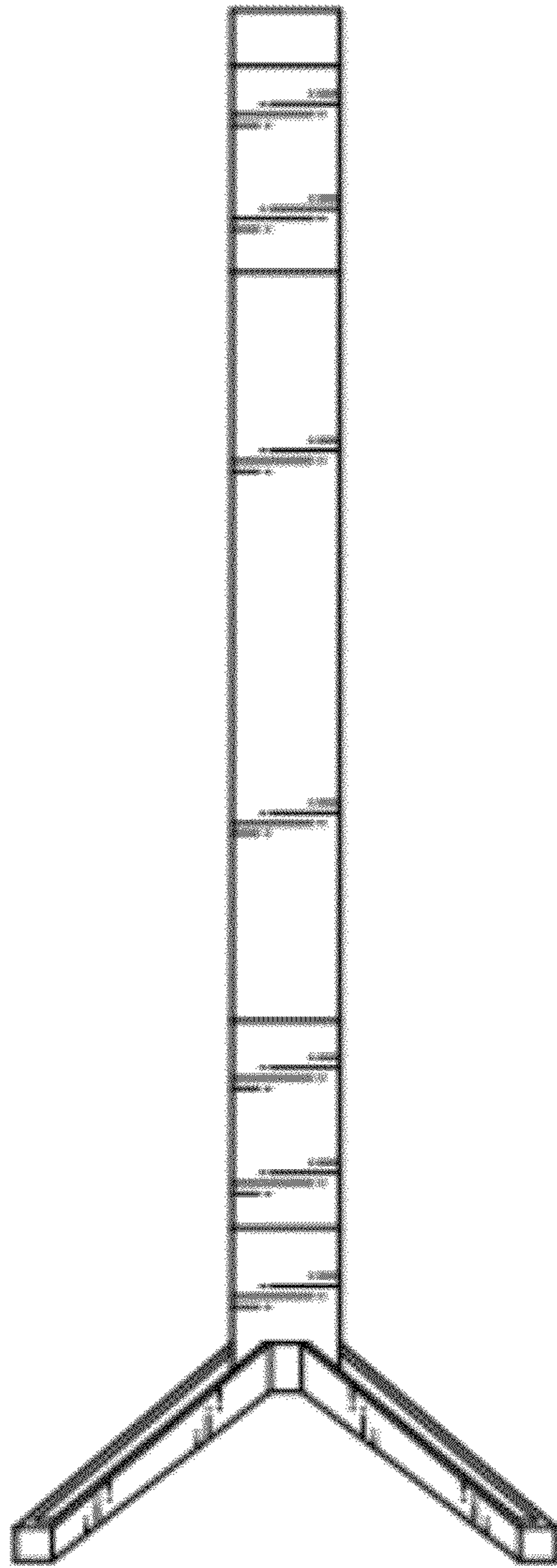


FIG.3



**FIG.4**



**FIG. 5**

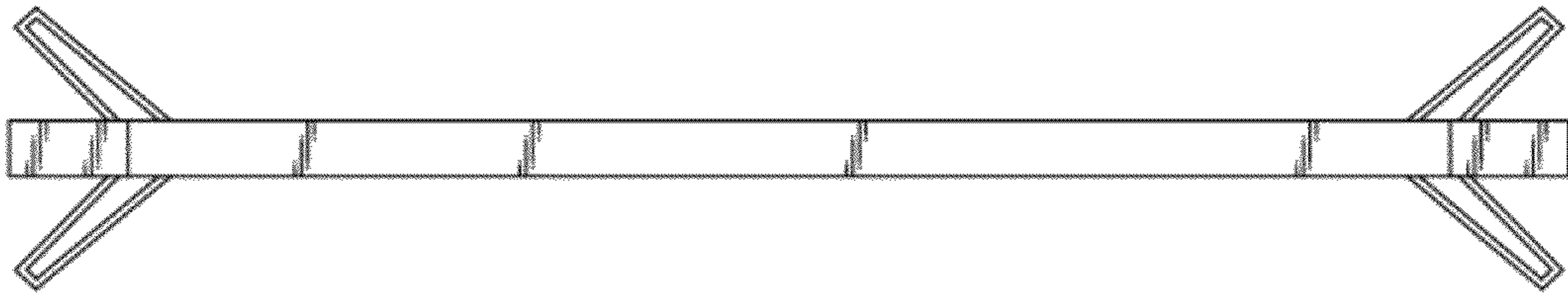


FIG.6

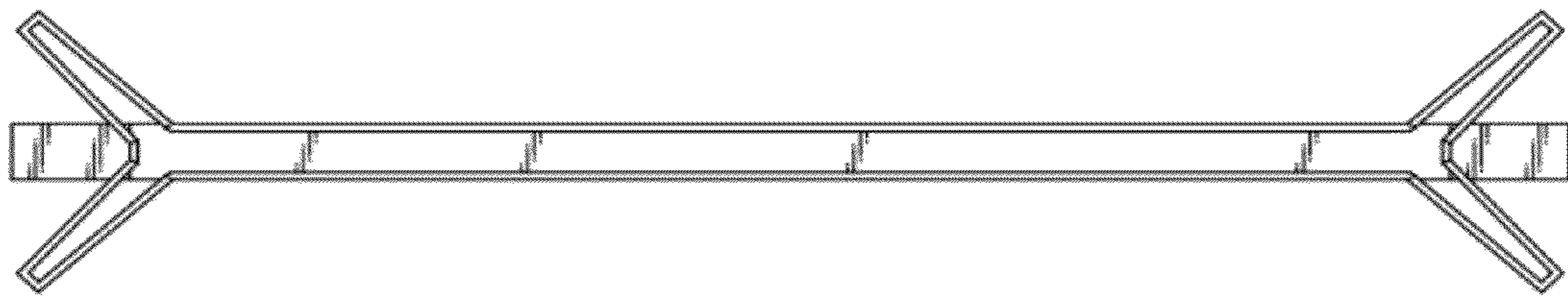


FIG.7