



US00D665759S

(12) **United States Design Patent**
Sato

(10) **Patent No.:** **US D665,759 S**

(45) **Date of Patent:** **** Aug. 21, 2012**

(54) **SUBSTRATE TRANSFER HOLDER**

(75) Inventor: **Norifumi Sato**, Kumamoto (JP)

(73) Assignee: **Tokyo Electron Limited**, Tokyo (JP)

(**) Term: **14 Years**

(21) Appl. No.: **29/393,919**

(22) Filed: **Jun. 10, 2011**

(30) **Foreign Application Priority Data**

Dec. 14, 2010 (JP) 2010-029767

(51) **LOC (9) Cl.** **13-99**

(52) **U.S. Cl.** **D13/199**

(58) **Field of Classification Search** D13/199,
D13/101, 118, 120, 121, 133, 182, 184; 294/901,
294/902, 907; 361/230, 234; 414/941; 438/106,
438/113, 121, 125, 126, 455, 456; D15/199
See application file for complete search history.

(56) **References Cited**

U.S. PATENT DOCUMENTS

6,578,891 B1 * 6/2003 Suzuki et al. 294/185
6,874,515 B2 * 4/2005 Ishihara et al. 134/140
D552,138 S * 10/2007 Kondo et al. D15/199
D614,593 S * 4/2010 Lee et al. D13/182
2007/0076345 A1 * 4/2007 Bang et al. 361/234

FOREIGN PATENT DOCUMENTS

JP D1286013 11/2006

* cited by examiner

Primary Examiner — Derrick Holland

(74) *Attorney, Agent, or Firm* — Posz Law Group, PLC

(57) **CLAIM**

The ornamental design for a substrate transfer holder, as shown and described.

DESCRIPTION

FIG. 1 is a top perspective view of a substrate transfer holder showing my new design;

FIG. 2 is a front elevation view thereof;

FIG. 3 is a rear elevation view thereof;

FIG. 4 is a left side view thereof, the right side being a mirror image;

FIG. 5 is a top plan view thereof;

FIG. 6 is a bottom plan view thereof;

FIG. 7 is an enlarged fragmental view taken along 7-7 of FIG. 5 thereof; and,

FIG. 8 is a cross-sectional view taken along line 8-8 of FIG. 7 thereof.

The broken lines shown represent unclaimed subject matter and form no part of the claimed design. The alternating long and short dashed lines in the drawings define the boundaries between the claimed and unclaimed features. None of the broken lines form any part of the claim.

The article is a substrate transfer holder for holding and transferring a circular substrate, for example, a semiconductor wafer or the like. Parts indicated by solid lines are the part of article for which a design patent is sought.

1 Claim, 4 Drawing Sheets

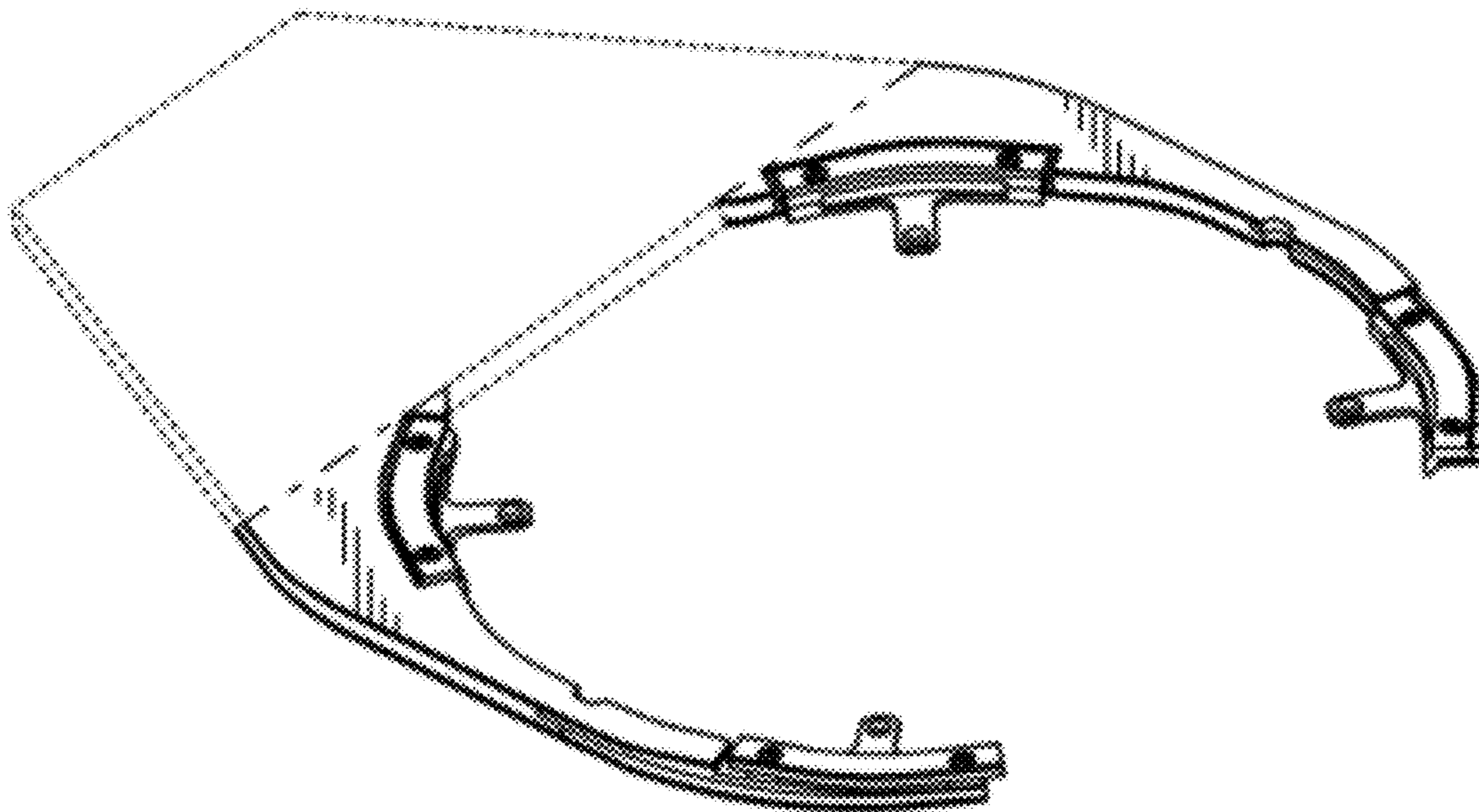


FIG.1

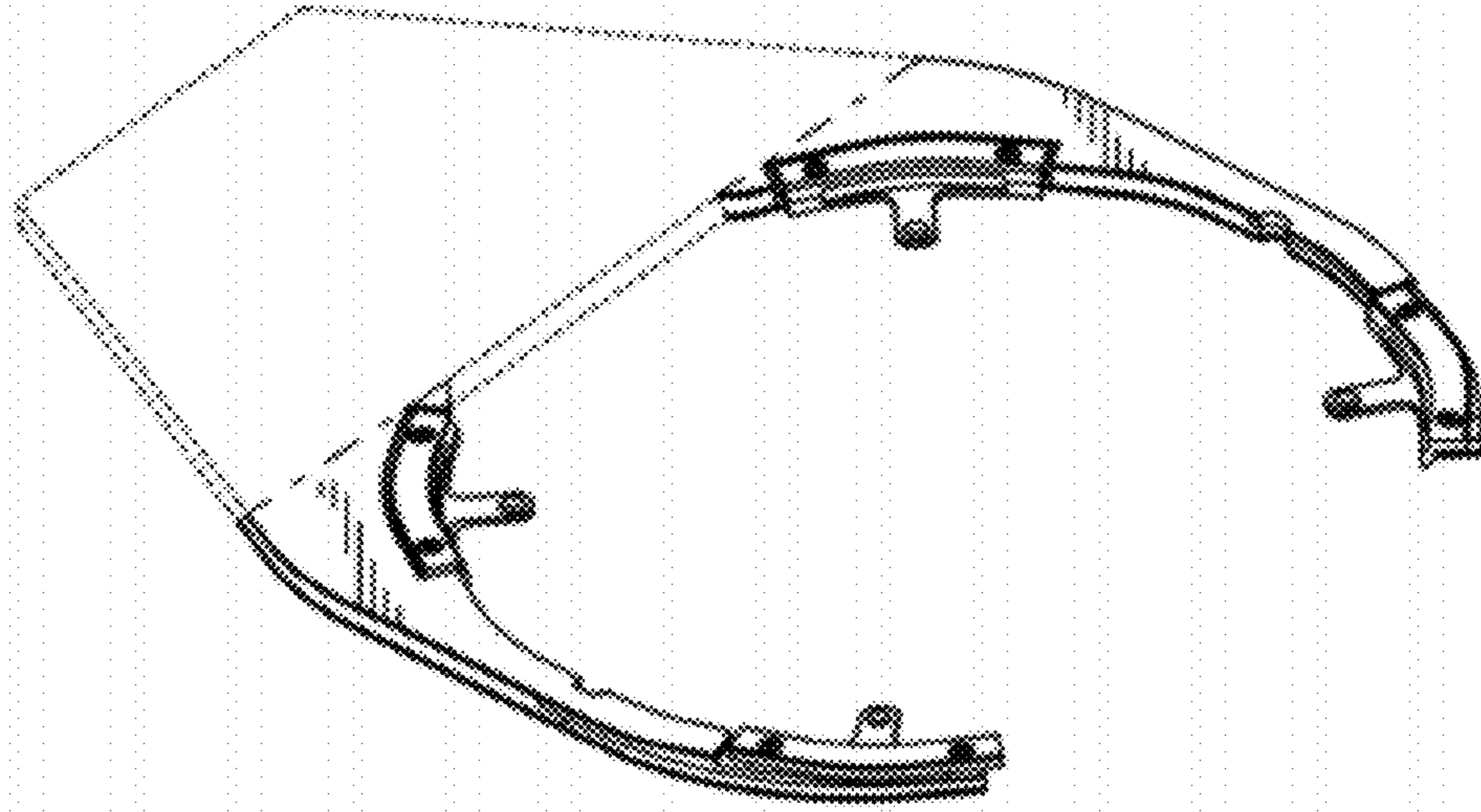


FIG.2

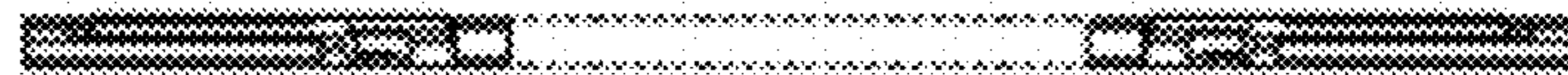


FIG.3

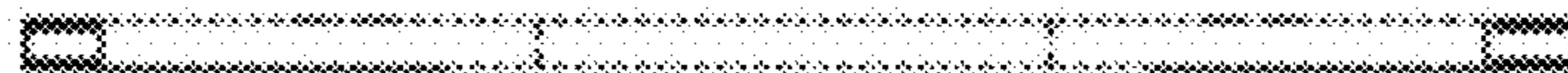


FIG.4



FIG.5

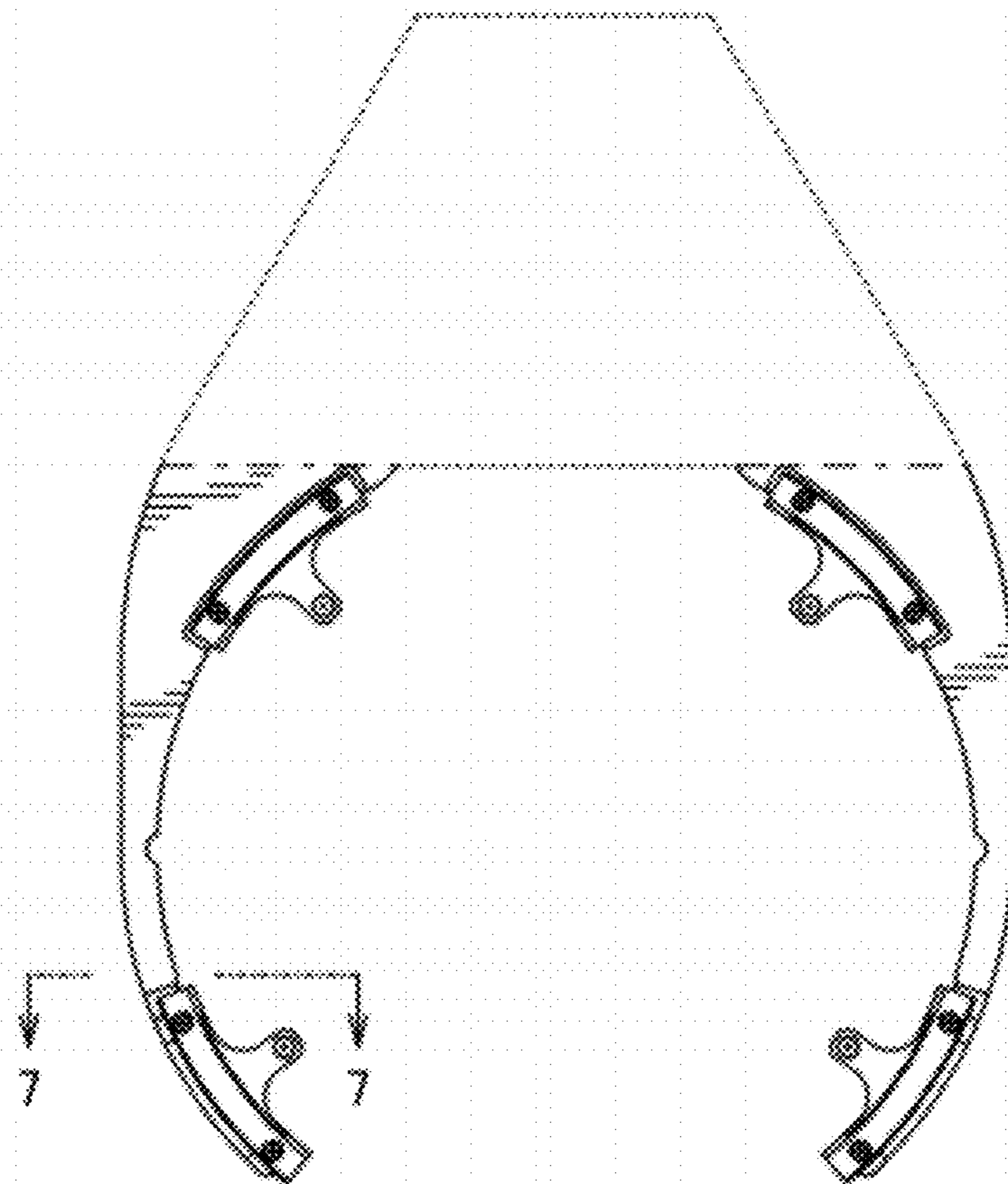


FIG.6

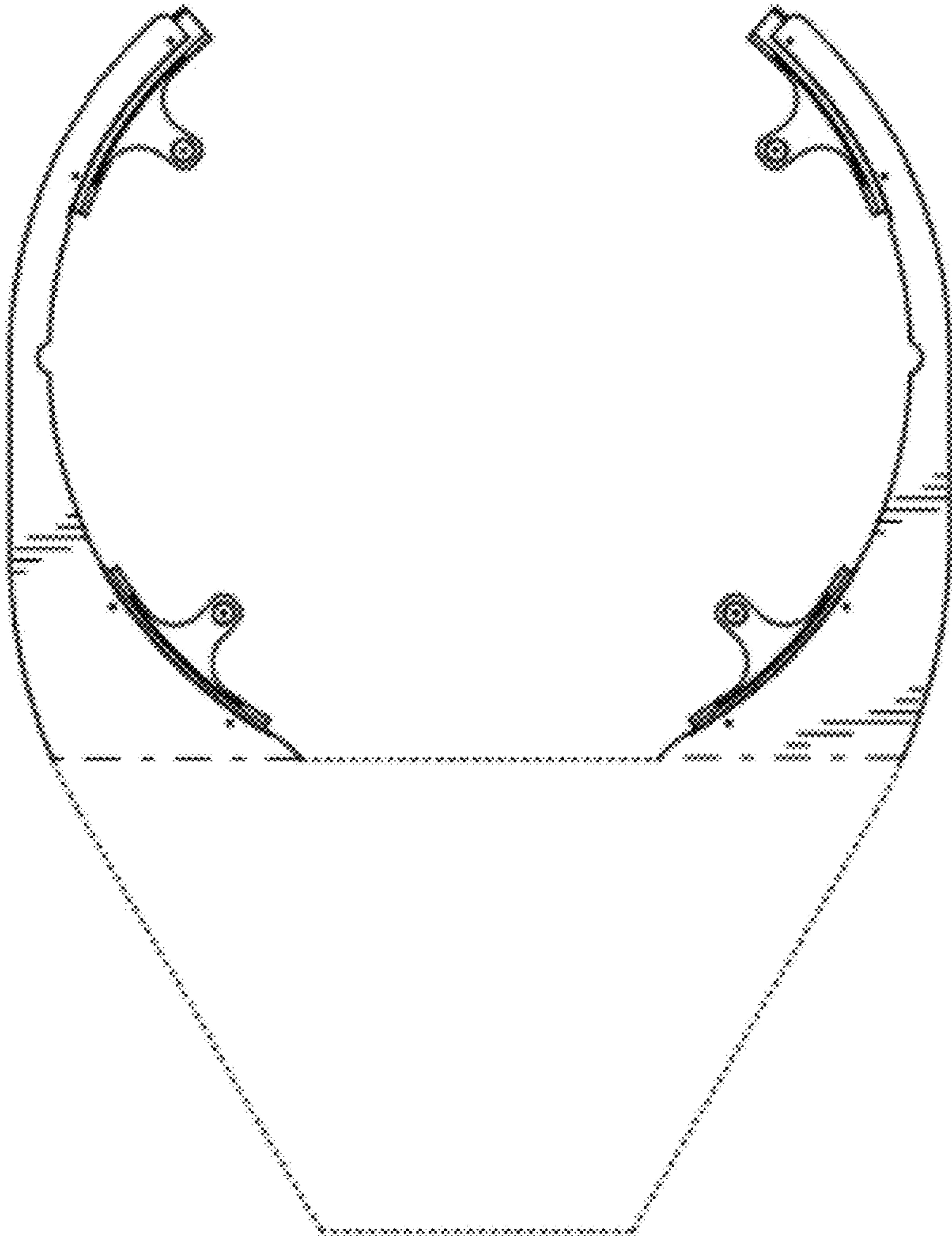


FIG.7

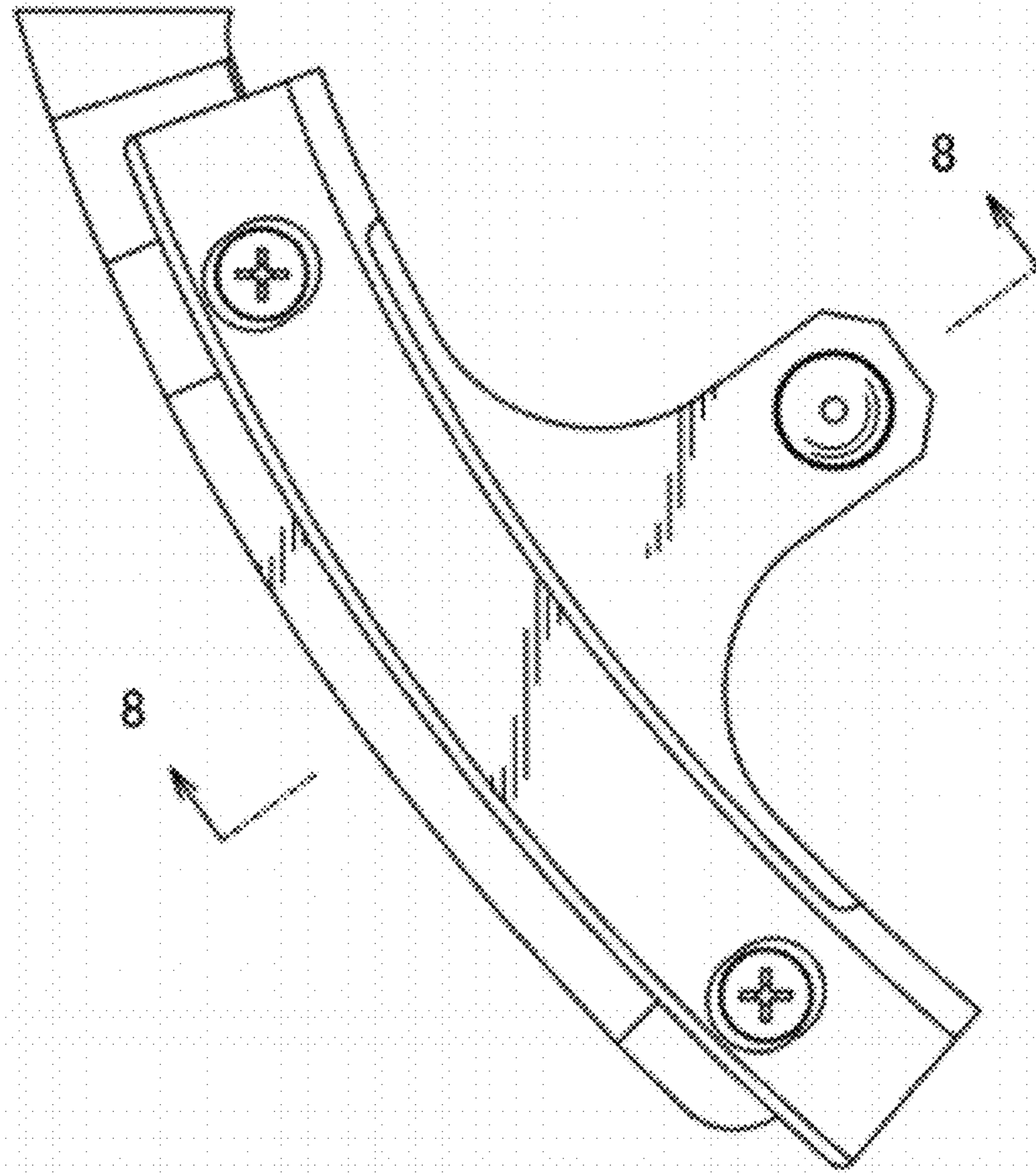


FIG.8

