



US00D665758S

(12) **United States Design Patent**  
**Yoshida**

(10) **Patent No.:** **US D665,758 S**

(45) **Date of Patent:** **\*\* Aug. 21, 2012**

(54) **SWITCH**

(75) Inventor: **Haruo Yoshida**, Tokyo (JP)

(73) Assignee: **SMK Corporation**, Tokyo (JP)

(\*\*) Term: **14 Years**

(21) Appl. No.: **29/396,551**

(22) Filed: **Jul. 1, 2011**

(30) **Foreign Application Priority Data**

Feb. 1, 2011 (JP) ..... D2011-003490

(51) **LOC (9) Cl.** ..... **13-03**

(52) **U.S. Cl.** ..... **D13/171; D13/158**

(58) **Field of Classification Search** ..... D13/158,  
D13/171; 200/5 A, 6 R, 406, 520, 523, 530,  
200/293, 302.2, 329, 341

See application file for complete search history.

(56) **References Cited**

**U.S. PATENT DOCUMENTS**

5,213,314 A \* 5/1993 Kano et al. .... 267/163  
6,953,905 B2 \* 10/2005 Adams ..... 200/533  
D589,904 S \* 4/2009 Yoshida et al. .... D13/158  
D596,585 S \* 7/2009 Yoshida et al. .... D13/158

D652,391 S \* 1/2012 Yoshida ..... D13/158  
D652,804 S \* 1/2012 Yoshida ..... D13/158  
2009/0266689 A1 \* 10/2009 Kikuchi et al. .... 200/293  
2011/0242777 A1 \* 10/2011 Zhou ..... 361/760

\* cited by examiner

*Primary Examiner* — Selina Sikder

(74) *Attorney, Agent, or Firm* — Sughrue Mion, PLLC

(57) **CLAIM**

The ornamental design for a switch, as shown and described.

**DESCRIPTION**

FIG. 1 is a perspective view of the front, top and right side of a switch showing my new design;

FIG. 2 is a perspective view of the rear, top and left side thereof;

FIG. 3 is a front view thereof;

FIG. 4 is a rear view thereof;

FIG. 5 is a top plan view thereof;

FIG. 6 is a bottom view thereof;

FIG. 7 is a left side view thereof;

FIG. 8 is a right side view thereof; and,

FIG. 9 is a reference view of usage thereof.

The portions shown in broken lines are for illustrative purposes only and form no part of the claimed design.

**1 Claim, 6 Drawing Sheets**

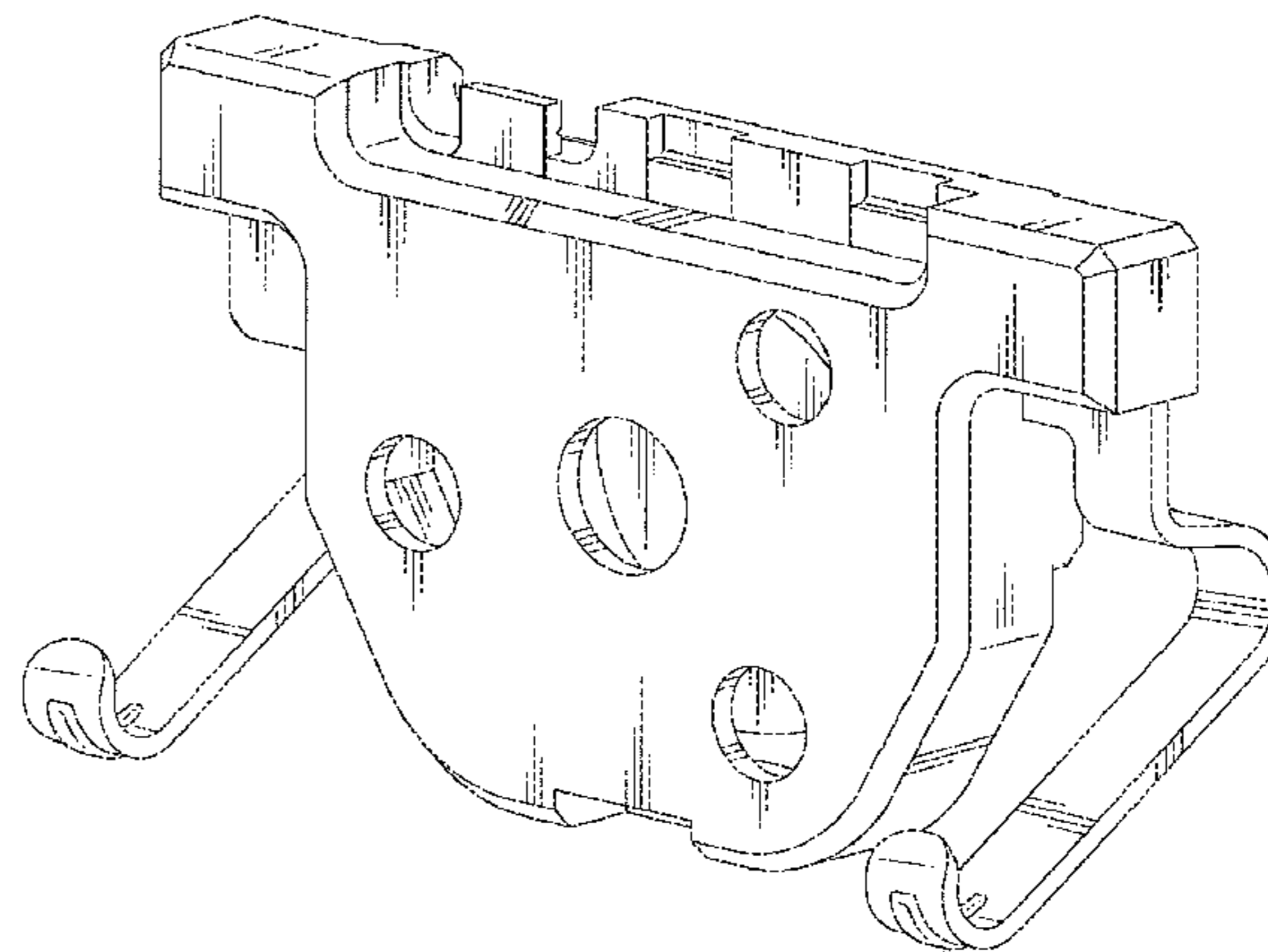
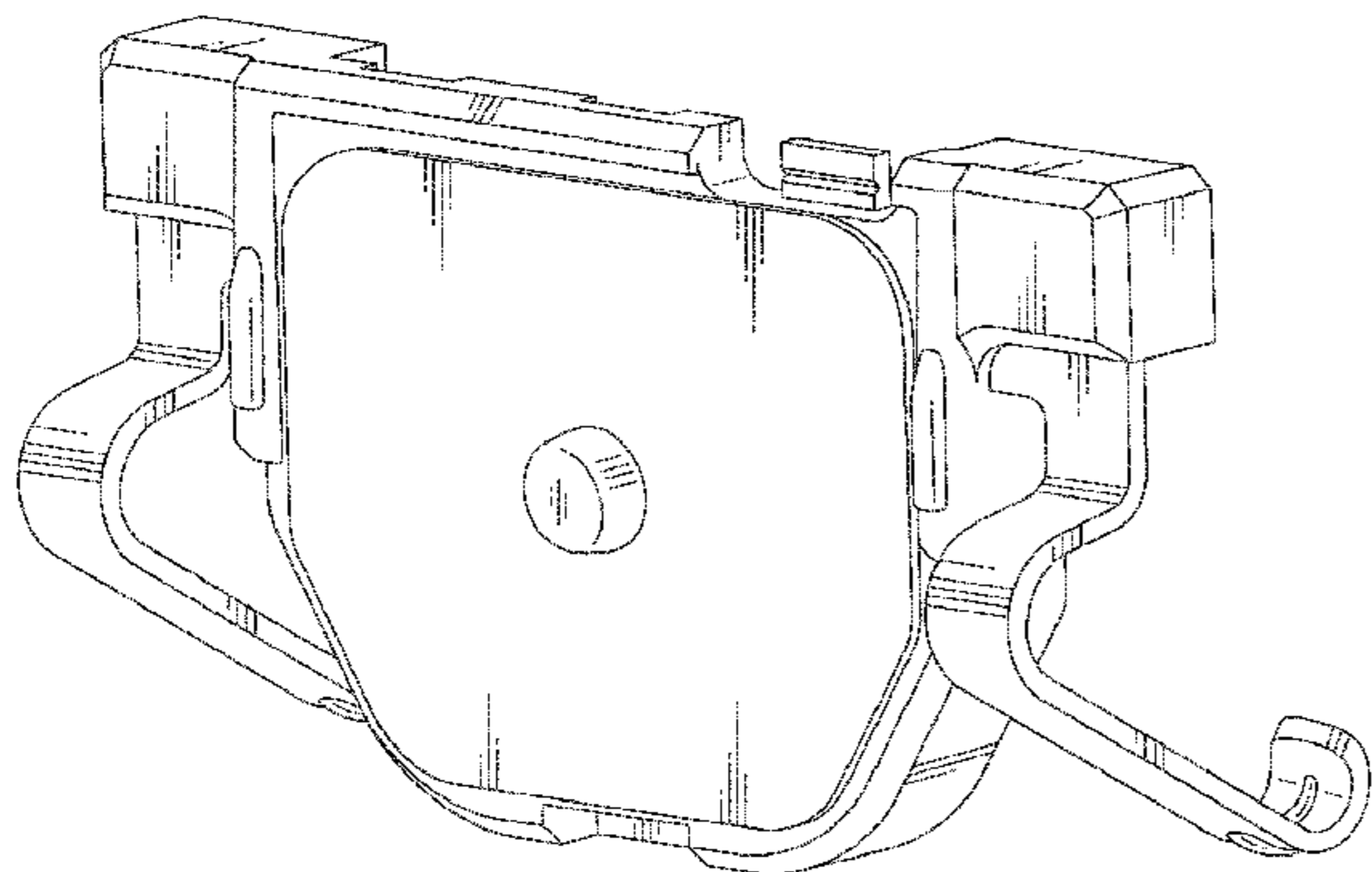


Fig. 1

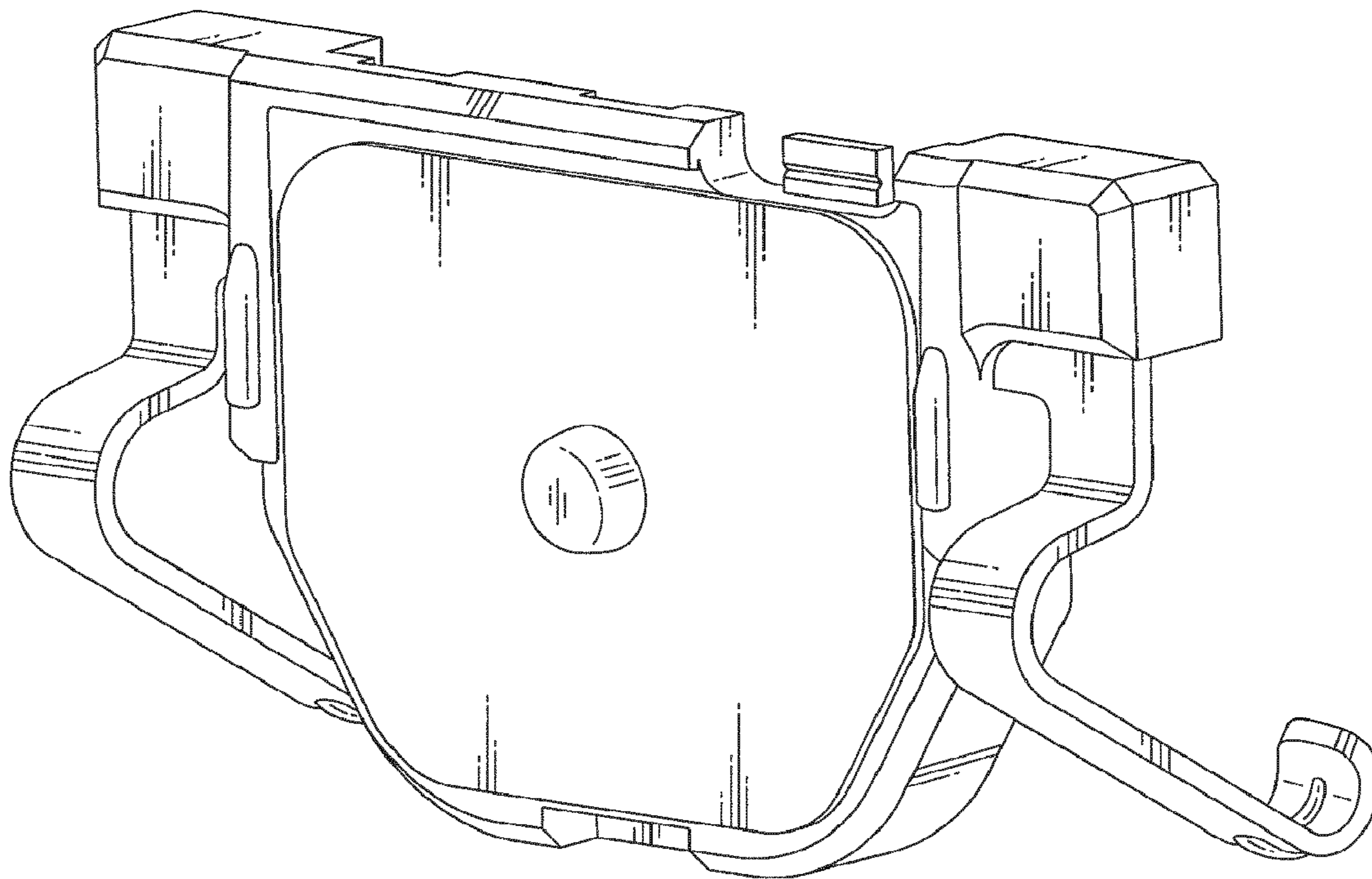


Fig. 2

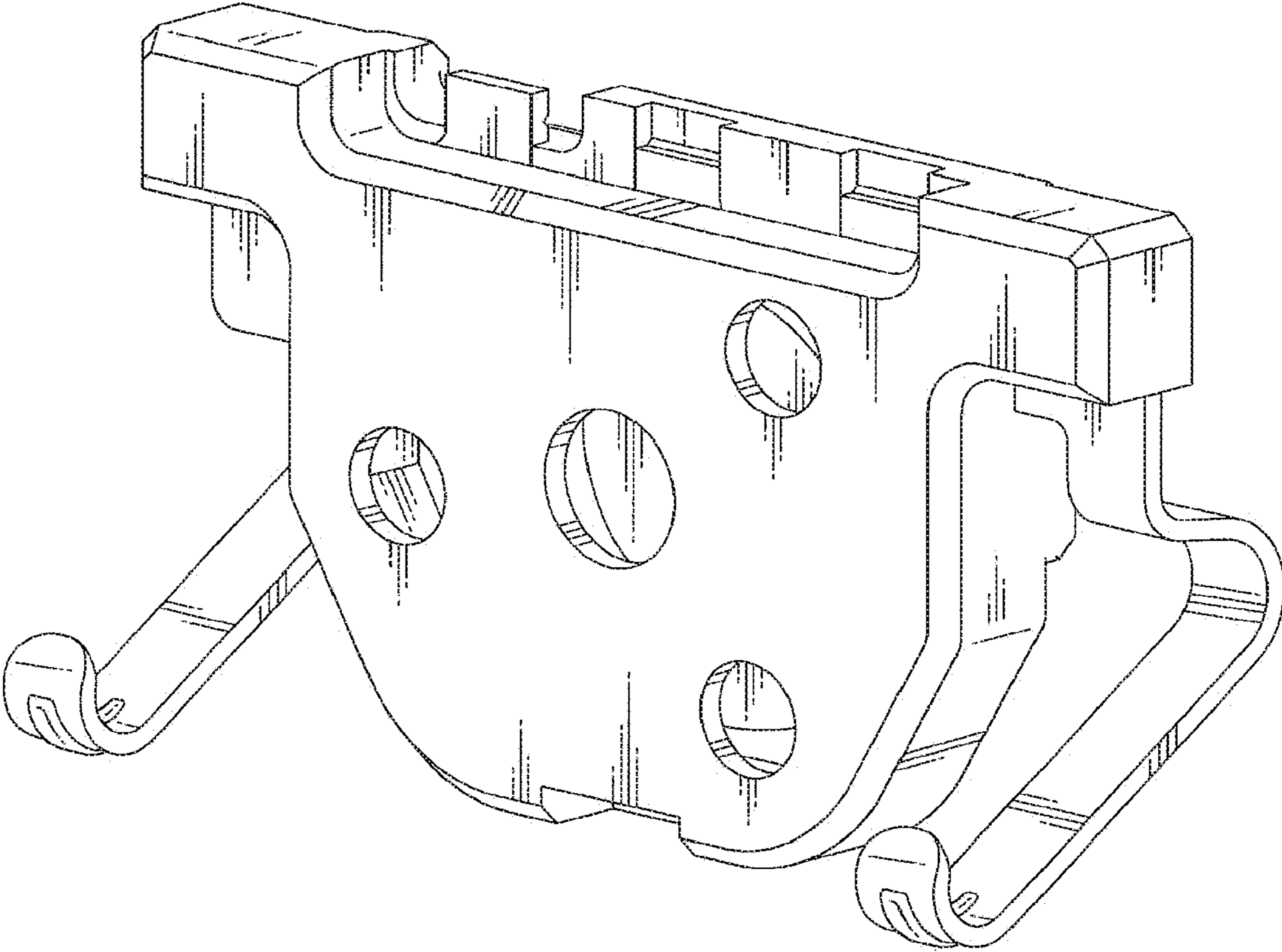


Fig. 3

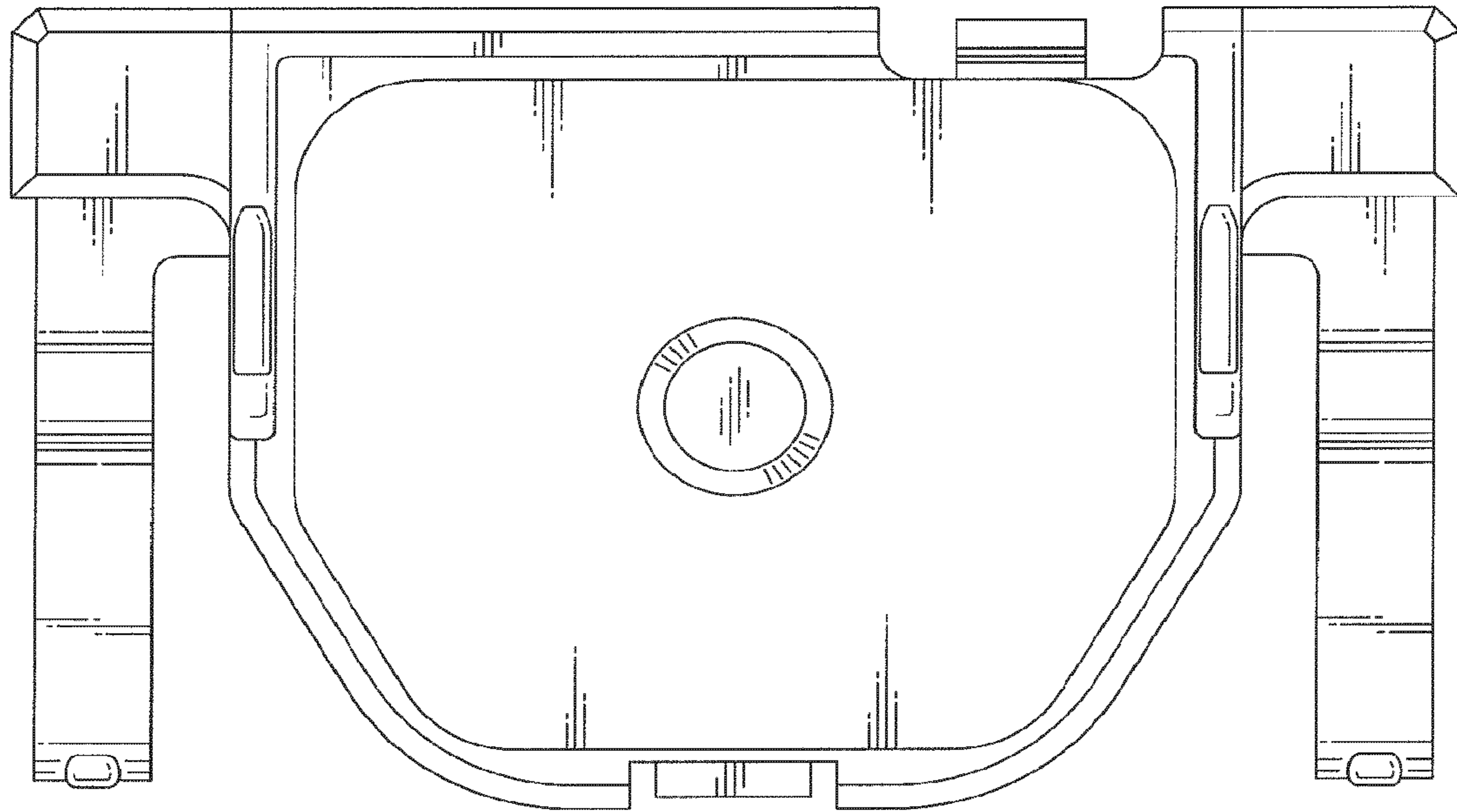


Fig. 4

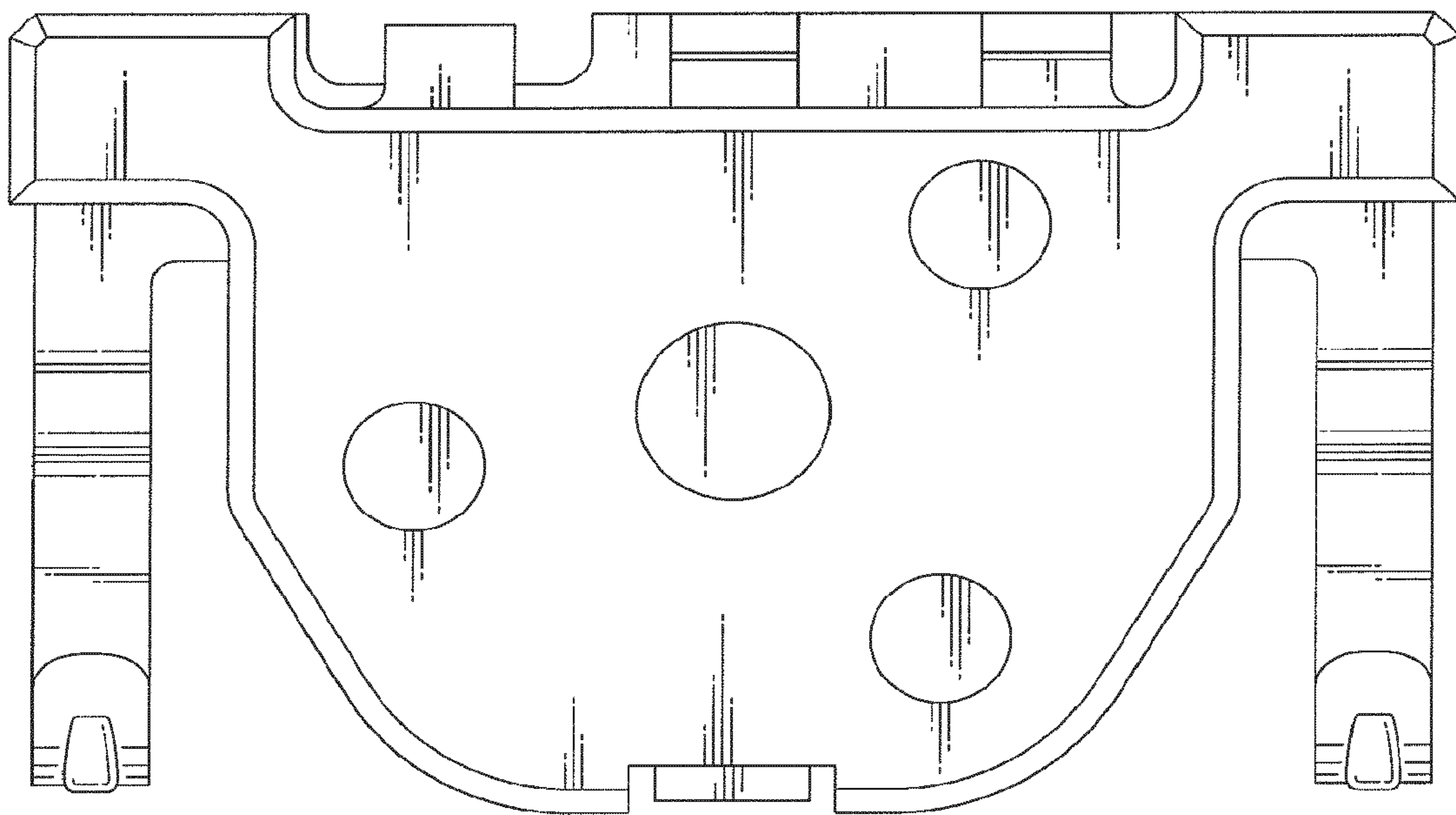


Fig. 5

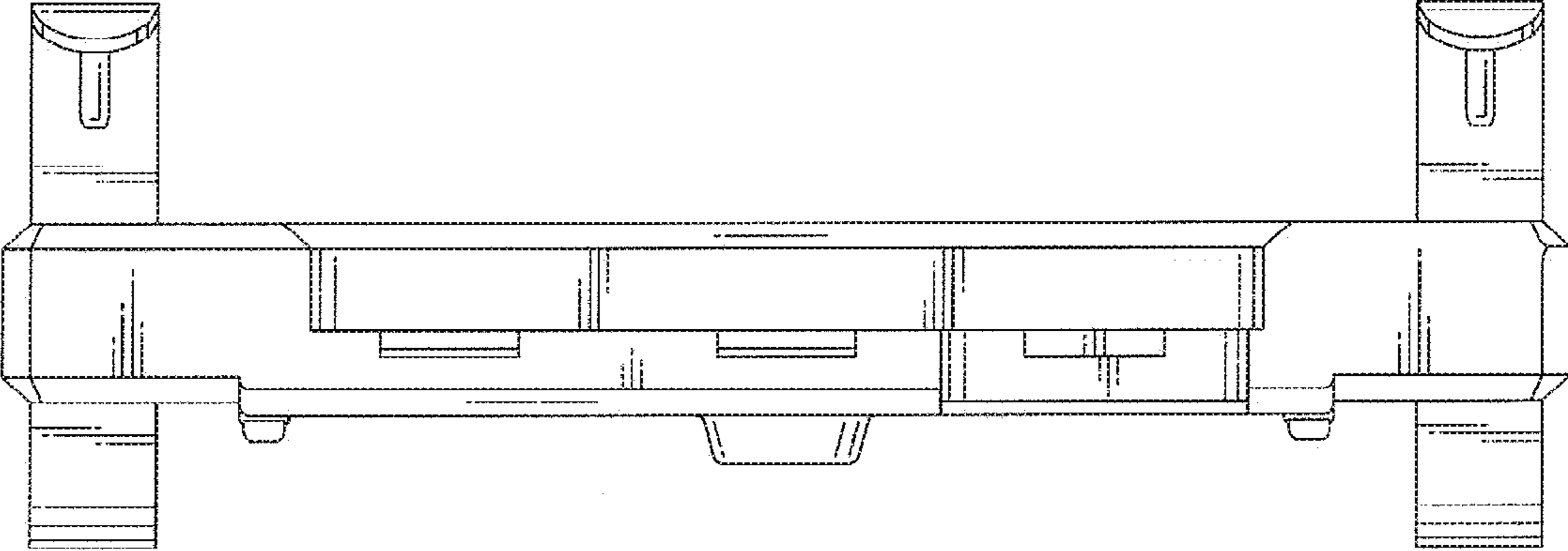


Fig. 6

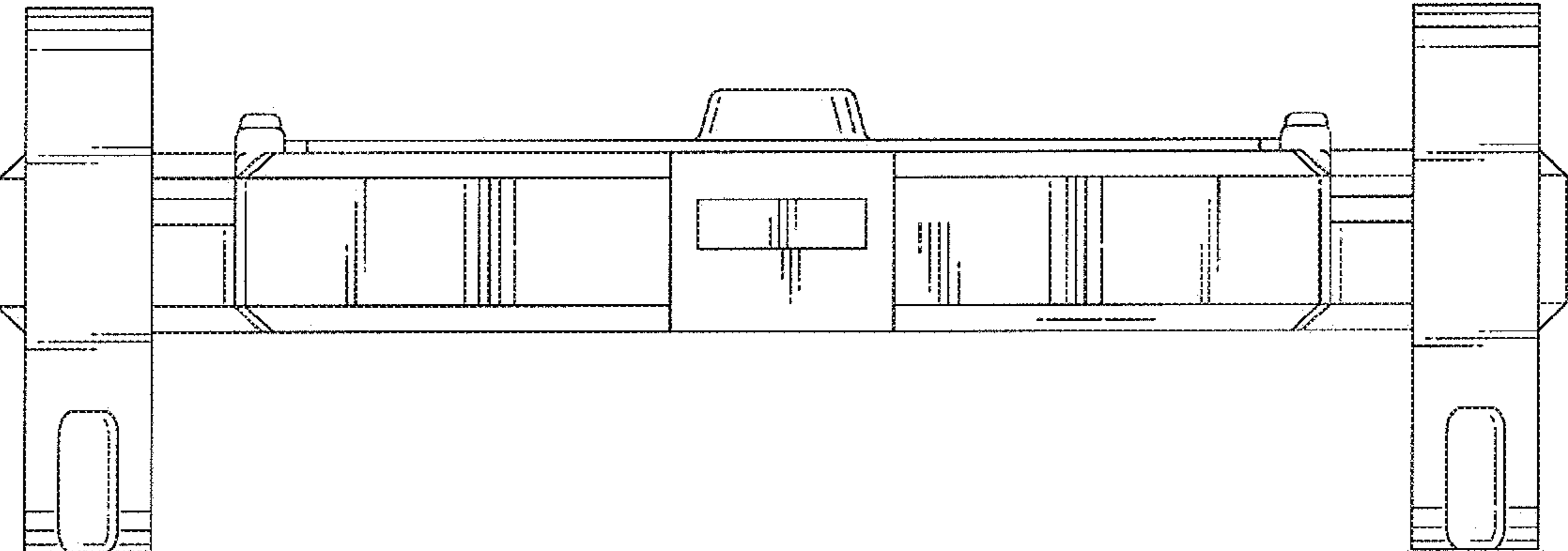


Fig. 7

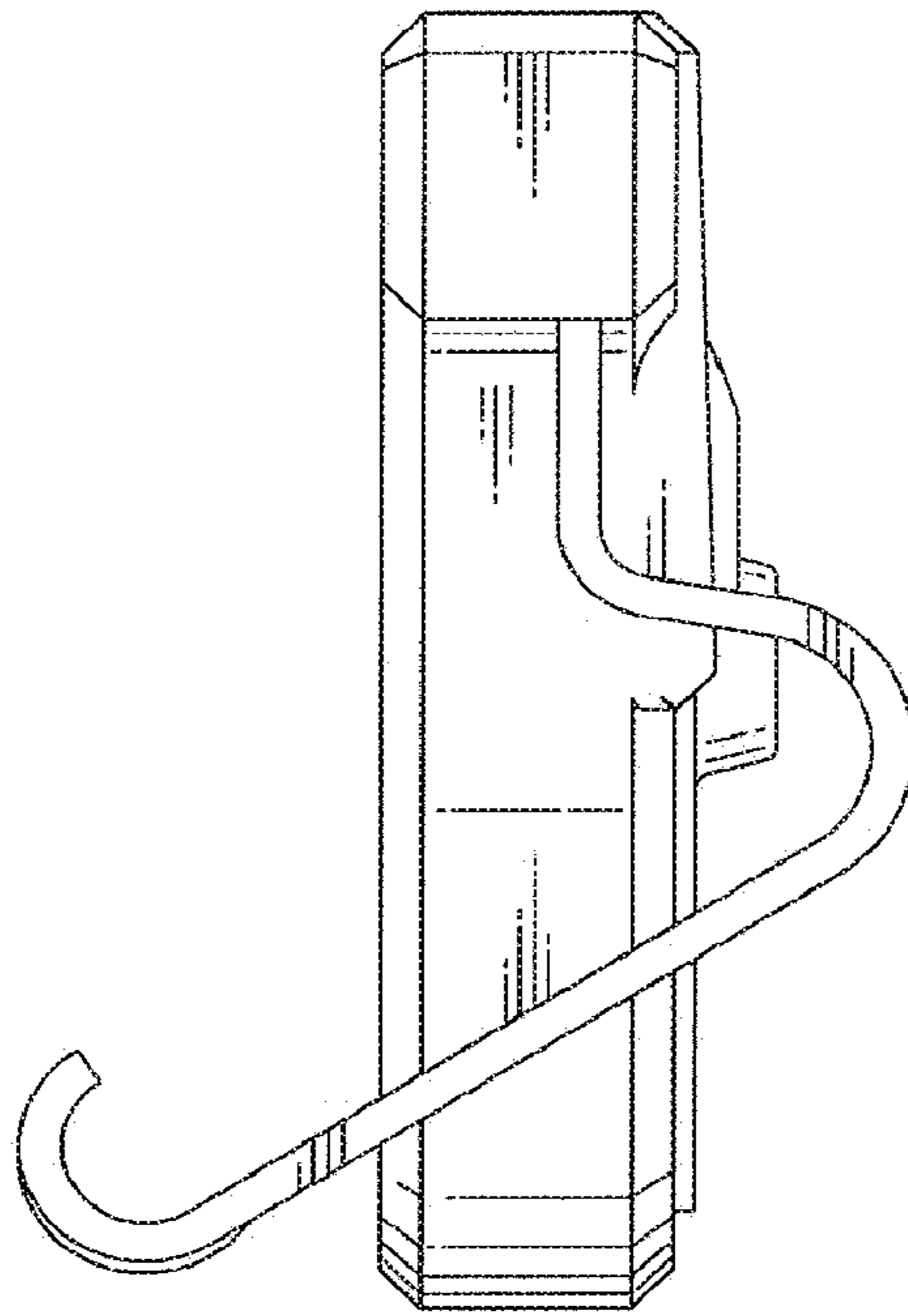


Fig. 8

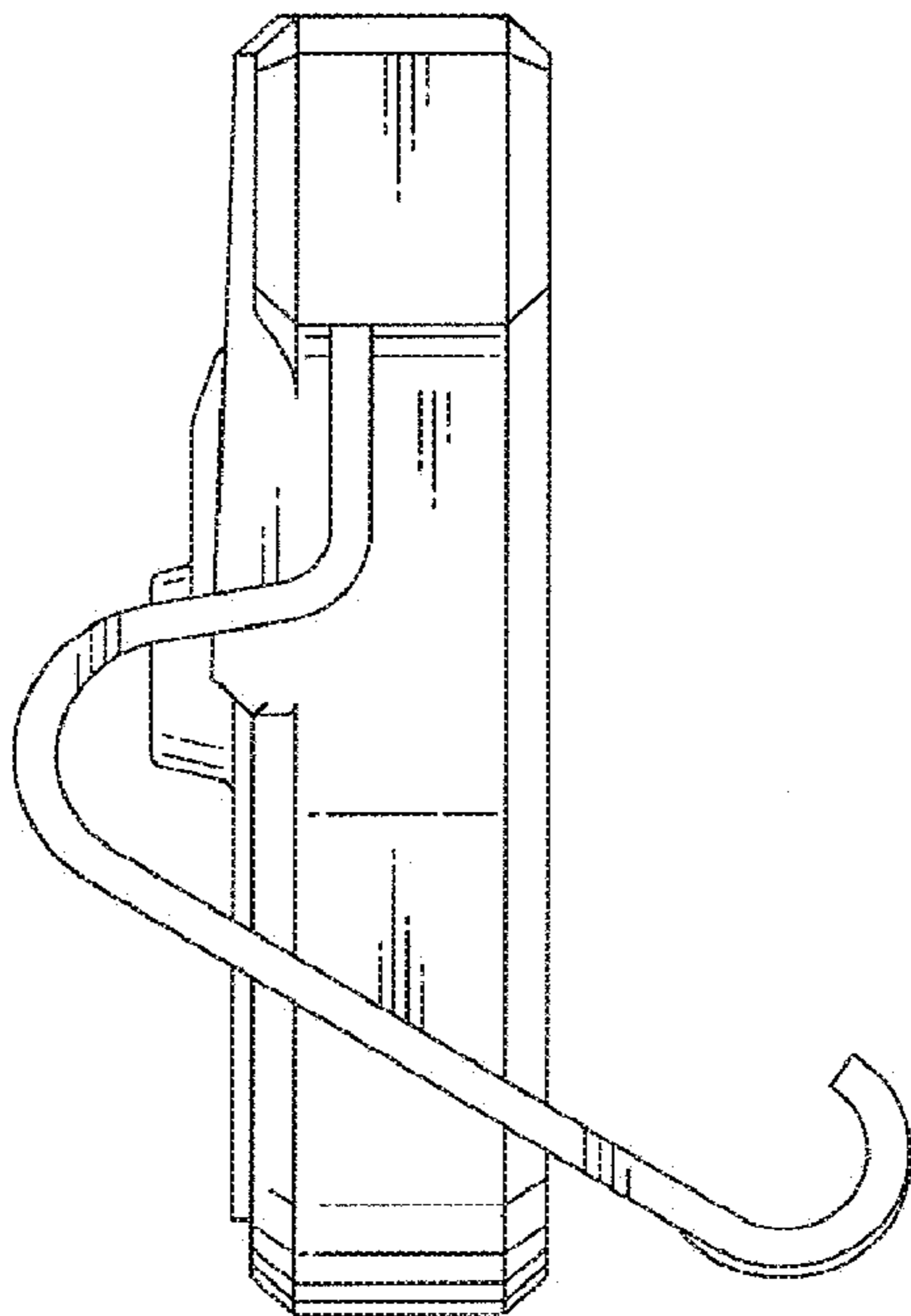


Fig. 9

