



US00D665756S

(12) **United States Design Patent**  
**Tseng**

(10) **Patent No.:** **US D665,756 S**

(45) **Date of Patent:** **\*\* Aug. 21, 2012**

(54) **FOOT PEDAL**

(75) Inventor: **Kuan-Shu Tseng**, New Taipei (TW)

(73) Assignee: **Timotion Technology Co. Ltd.**, New Taipei (TW)

(\*\*) Term: **14 Years**

(21) Appl. No.: **29/411,579**

(22) Filed: **Jan. 24, 2012**

(51) **LOC (9) Cl.** ..... **13-03**

(52) **U.S. Cl.** ..... **D13/167**

(58) **Field of Classification Search** ..... D13/167;  
D12/174; D24/179; 74/560; 200/85 R,  
200/86.5; 318/400.18; 433/101; 606/1  
See application file for complete search history.

(56) **References Cited**

**U.S. PATENT DOCUMENTS**

D319,158	S *	8/1991	Jones et al.	.....	D6/491
5,883,615	A *	3/1999	Fago et al.	.....	345/156
6,689,975	B2 *	2/2004	Metzler et al.	.....	200/86.5
D520,553	S *	5/2006	Bogdan et al.	.....	D17/20
D542,739	S *	5/2007	Pollard	.....	D13/167
D545,773	S *	7/2007	Schurg et al.	.....	D13/167
7,428,439	B1 *	9/2008	Reynolds et al.	.....	700/17

7,498,532	B2 *	3/2009	Kuhner et al.	.....	200/86.5
7,883,458	B2 *	2/2011	Hamel	.....	600/1
2011/0011708	A1 *	1/2011	Ellafrits	.....	200/86.5

\* cited by examiner

*Primary Examiner* — Selina Sikder

(74) *Attorney, Agent, or Firm* — Chun-Ming Shih; HDLS IPR Services

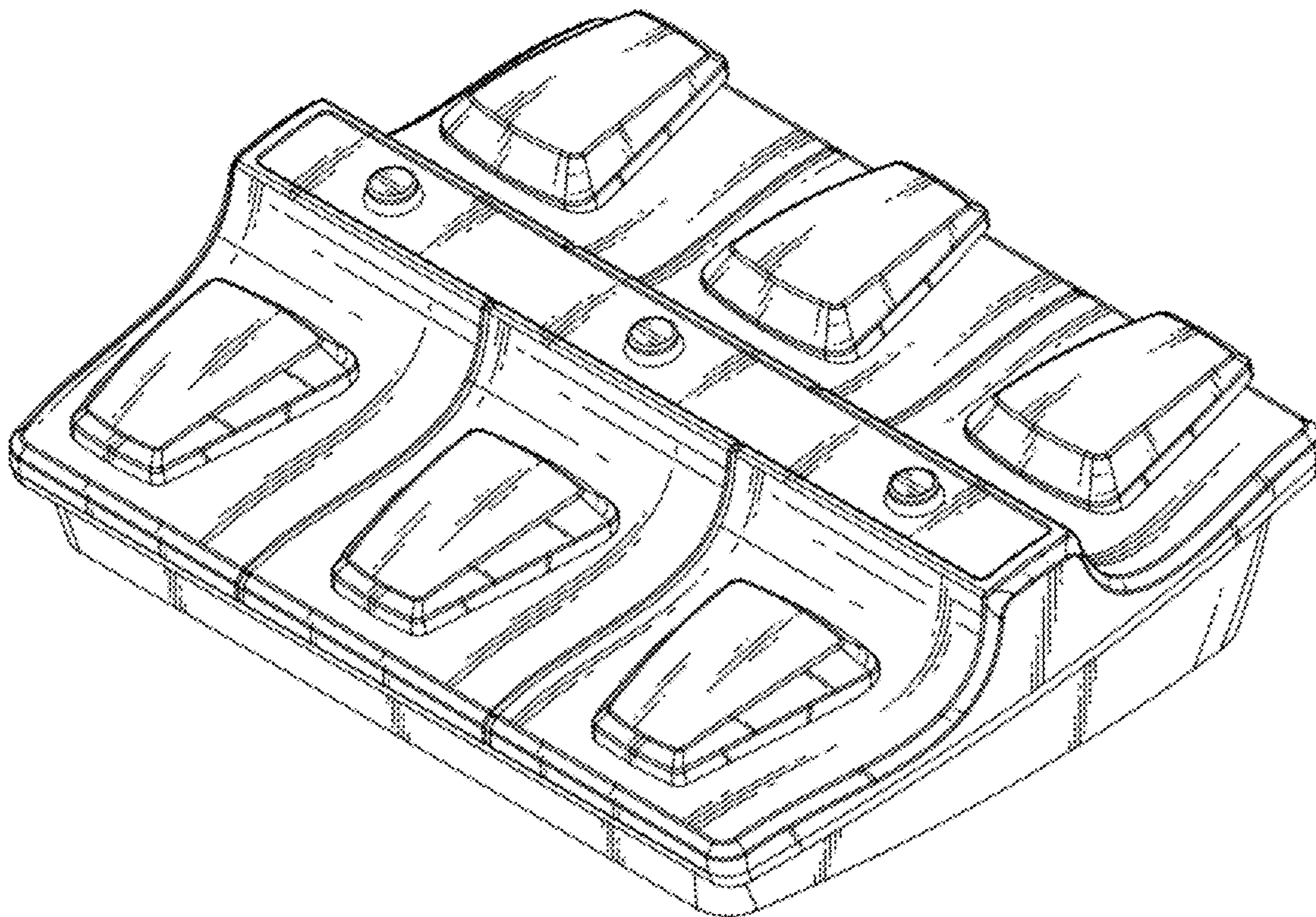
(57) **CLAIM**

The ornamental design for a foot pedal, as shown and described.

**DESCRIPTION**

FIG. 1 is a perspective view of a foot pedal showing my new design;  
FIG. 2 is a front view thereof;  
FIG. 3 is a rear view thereof;  
FIG. 4 is a left side view thereof;  
FIG. 5 is a right side view thereof;  
FIG. 6 is a top view thereof;  
FIG. 7 is a bottom view thereof; and,  
FIG. 8 is another perspective view showing the foot pedal.  
The broken line environmental showing is for illustrative purpose only and forms no part of the claimed design.

**1 Claim, 8 Drawing Sheets**



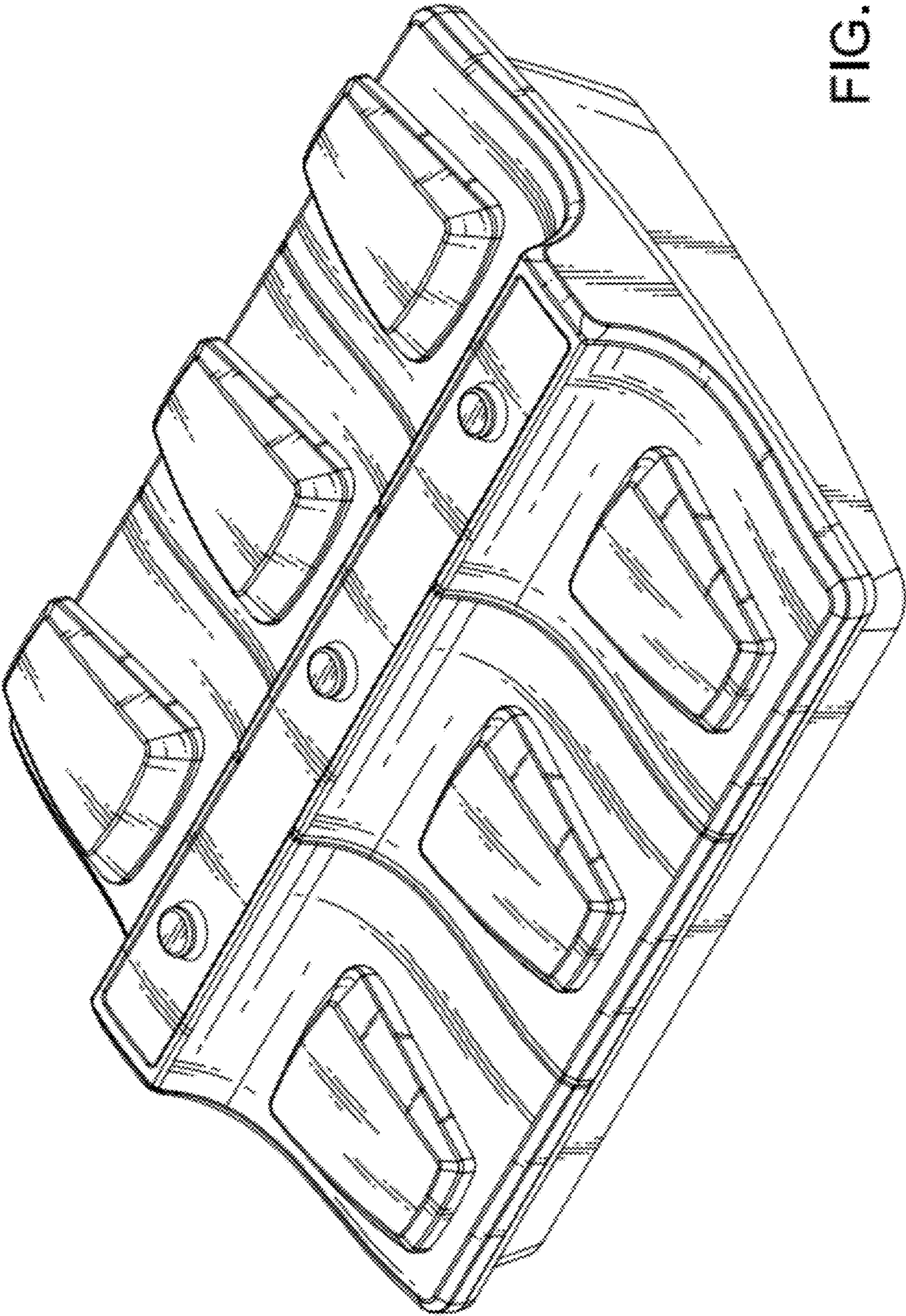


FIG. 1

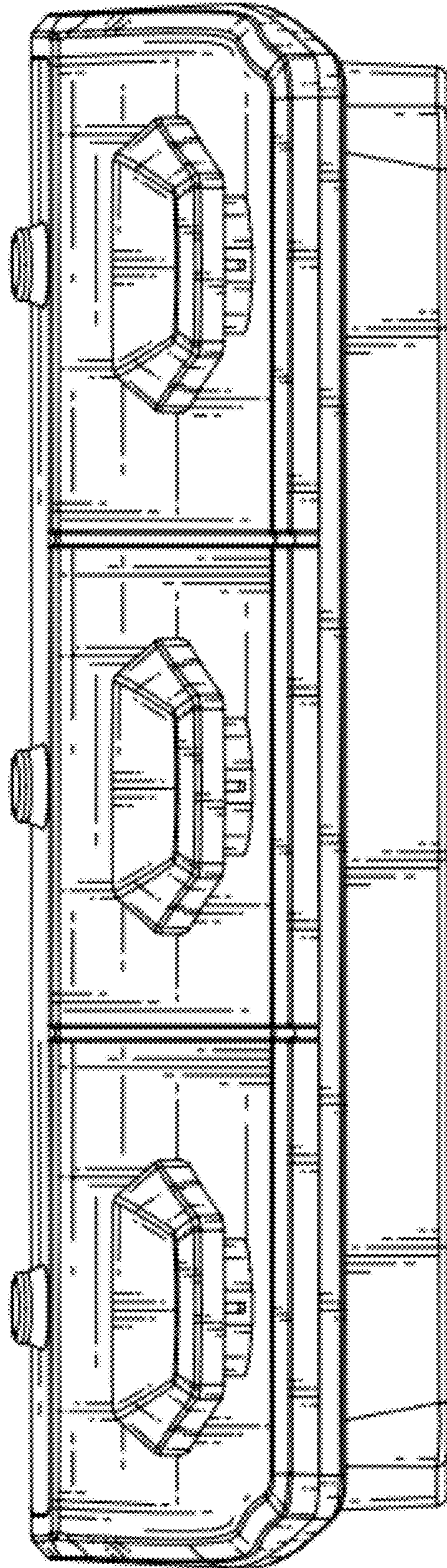


FIG.2

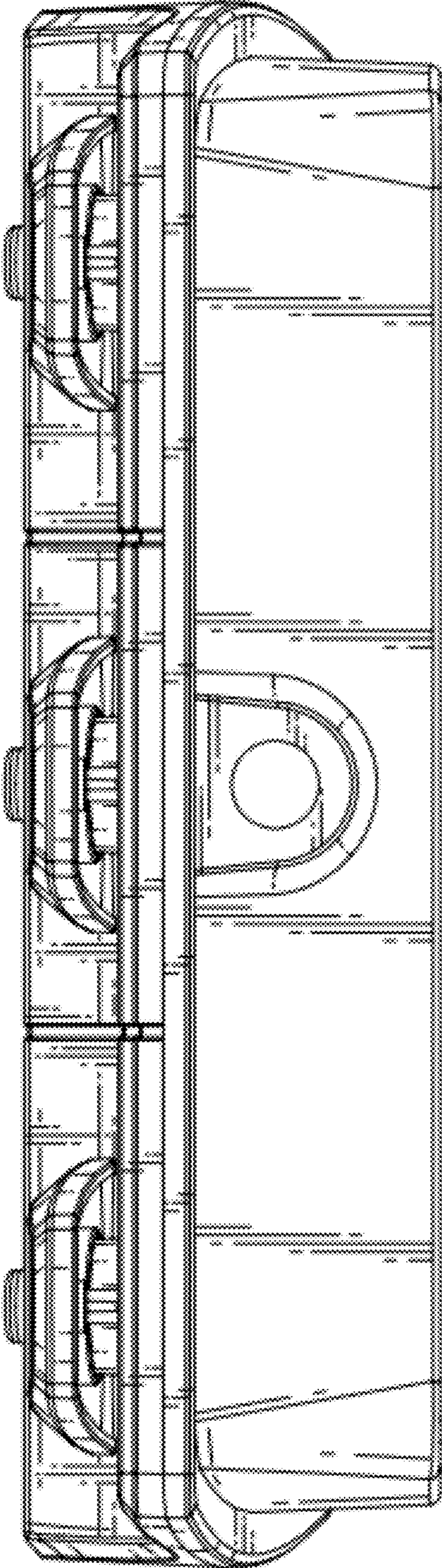


FIG.3

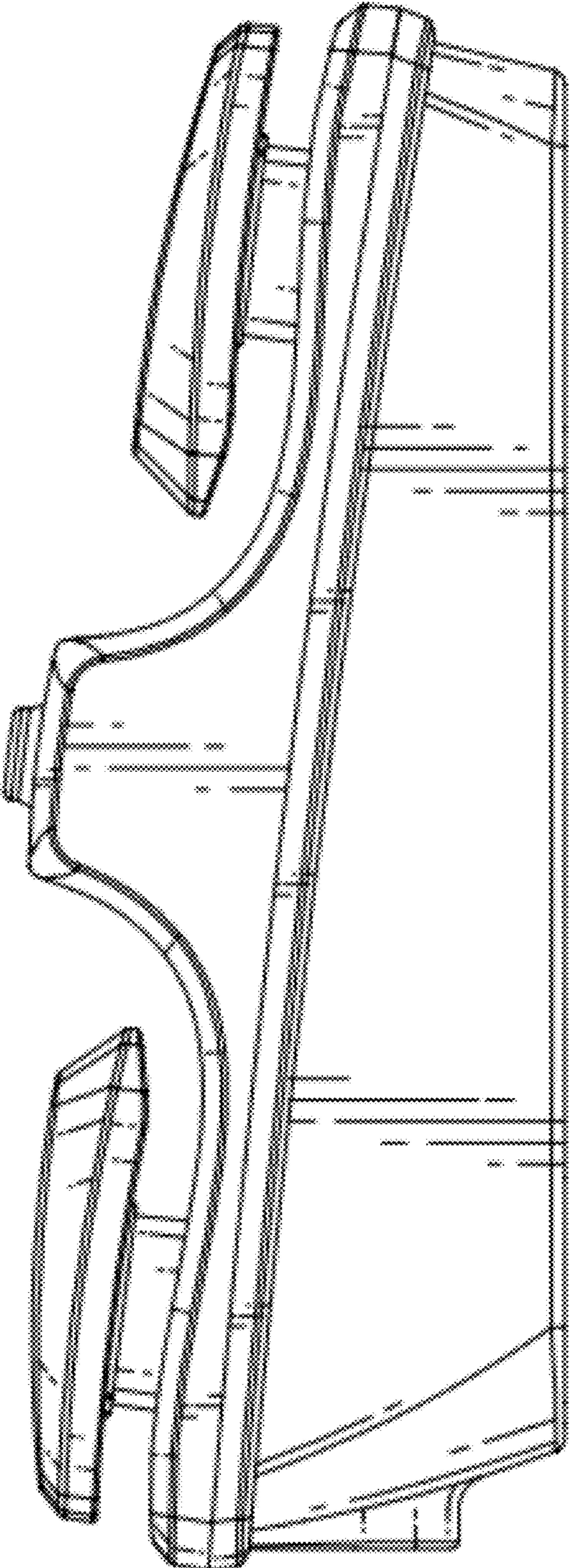


FIG.4

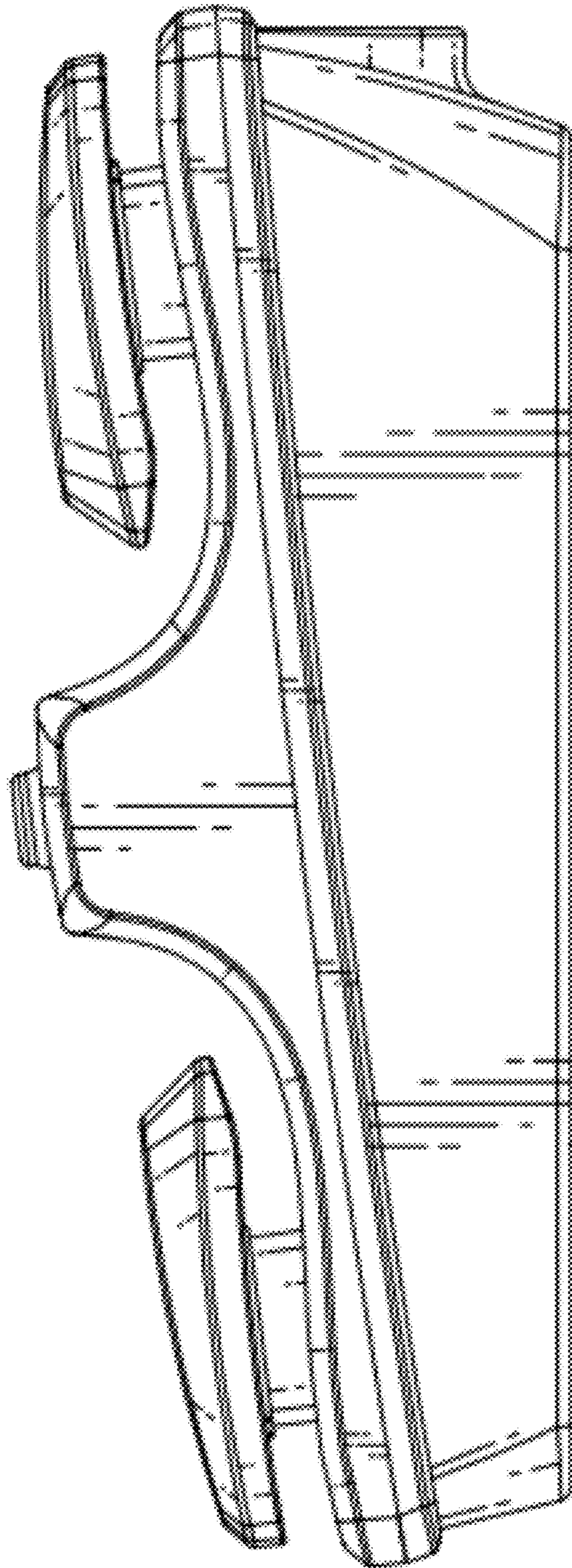


FIG. 5

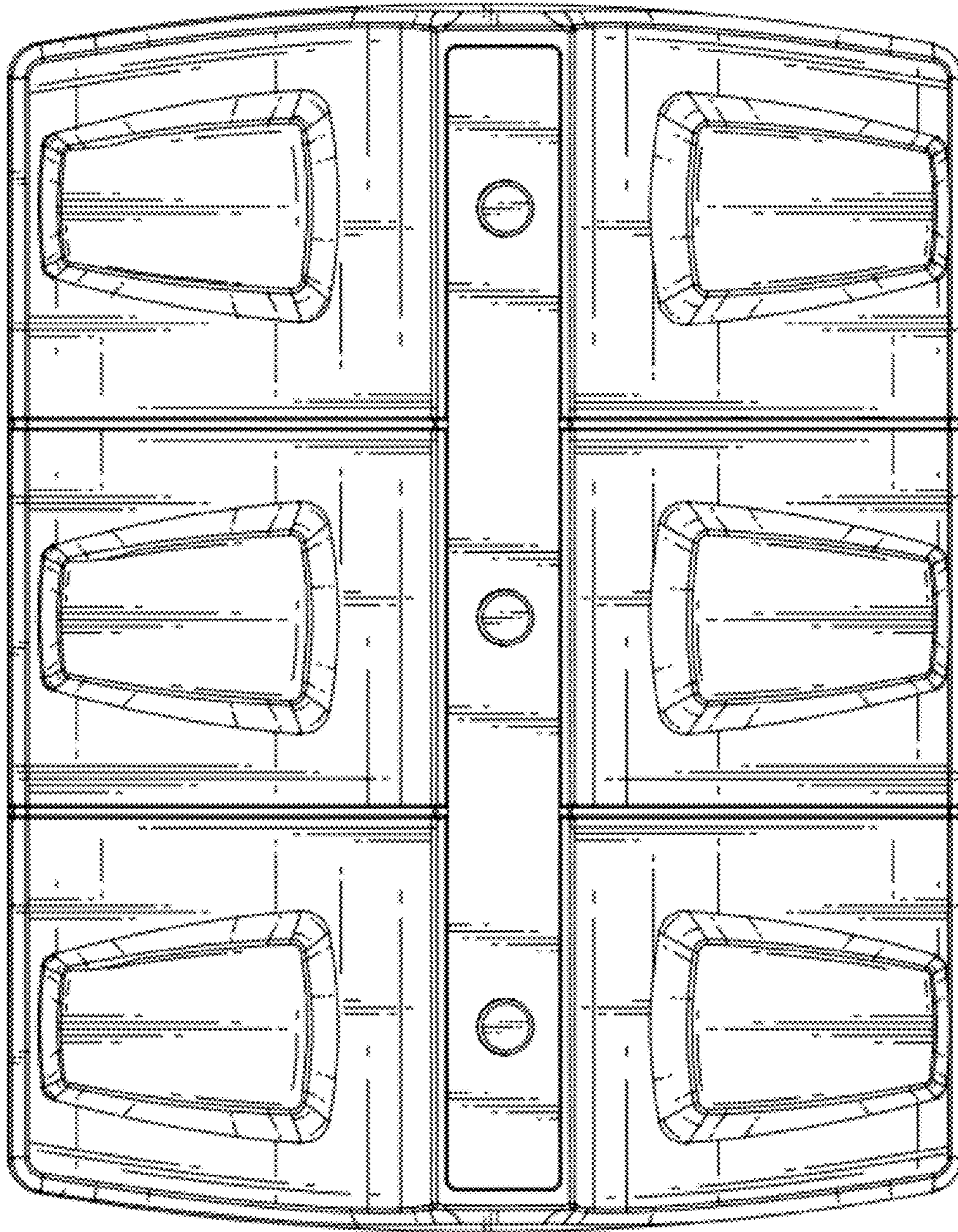


FIG.6

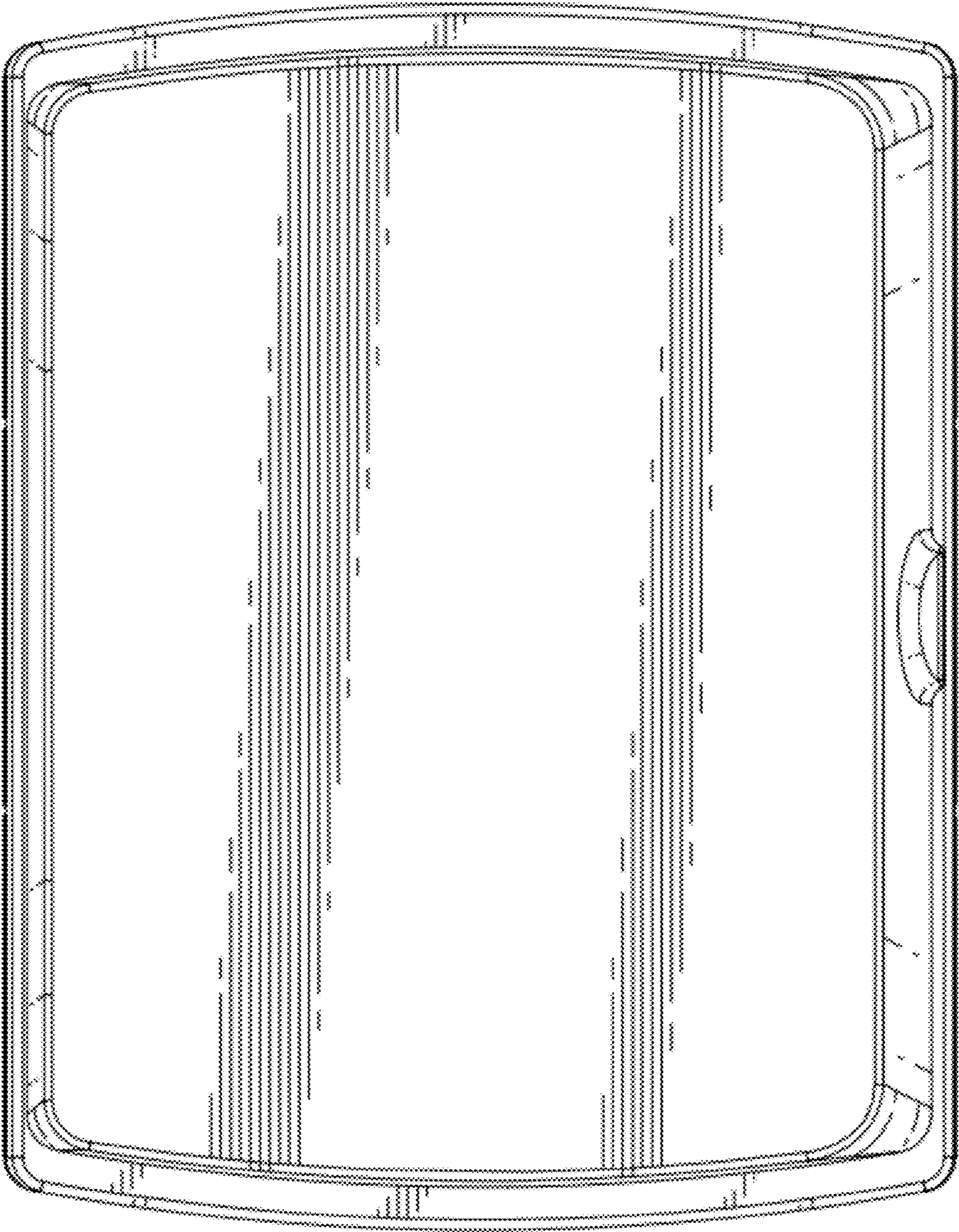


FIG. 7



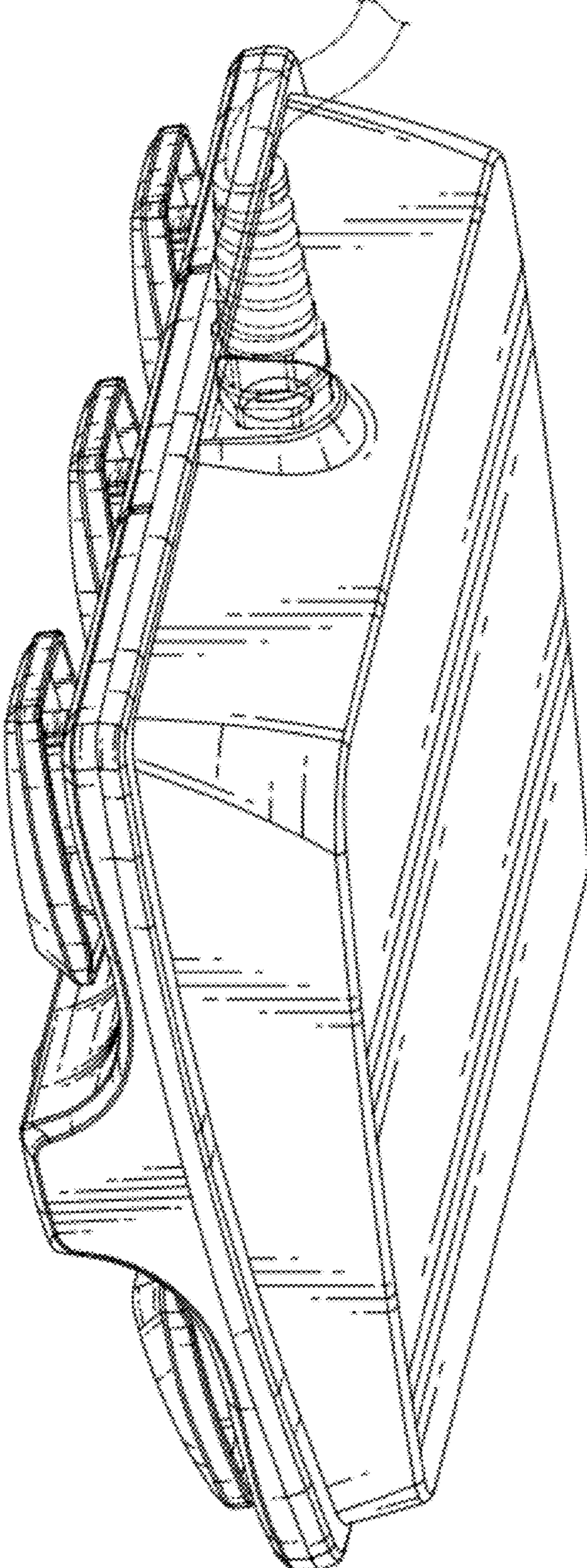


FIG.8